



US00D472553S

(12) **United States Design Patent**
Borsboom et al.

(10) **Patent No.:** **US D472,553 S**

(45) **Date of Patent:** **** Apr. 1, 2003**

(54) **LCD DISPLAY**

(75) Inventors: **Antonious M. Borsboom**, Singapore (SG); **Edwin Lord Beck**, Singapore (SG); **Zheng Tang**, Singapore (SG); **Lawrence Kok Chian Leong**, Singapore (SG); **Daniel Tiong Hai Toh**, Singapore (SG); **Brian Liong Ein Ling**, Singapore (SG); **Kam Wayne Young**, Singapore (SG); **Kok Keong Goh**, Singapore (SG); **Yann Mabile**, Singapore (SG); **Shi-Kuan Chen**, Taipei (TW); **Markus Wierzoch**, Taipei (TW); **Jason Ching-Hsin Yang**, Taipei (TW)

(73) Assignee: **HannStar Display Corp.**, Taipei (TW)

(**) Term: **14 Years**

(21) Appl. No.: **29/161,007**

(22) Filed: **May 17, 2002**

(51) **LOC (7) Cl.** **14-02**

(52) **U.S. Cl.** **D14/375**

(58) **Field of Search** D14/371, 374, D14/375, 376, 341, 336, 240, 125-129; 345/104, 156, 168, 173; 348/180, 184; 349/1, 2, 11, 62; 248/917-924

(56) **References Cited**

U.S. PATENT DOCUMENTS

D340,701 S * 10/1993 Takeuchi D14/341
D346,793 S * 5/1994 Iino et al. D14/341

D363,468 S * 10/1995 Miei et al. D14/342
5,708,458 A * 1/1998 Vrbanac 345/156
D429,227 S * 8/2000 Shimizu D14/126
D448,376 S * 9/2001 Lee D14/374

* cited by examiner

Primary Examiner—Freda Nunn

(74) *Attorney, Agent, or Firm*—Merchant & Gould; Tim Tingkang Xia

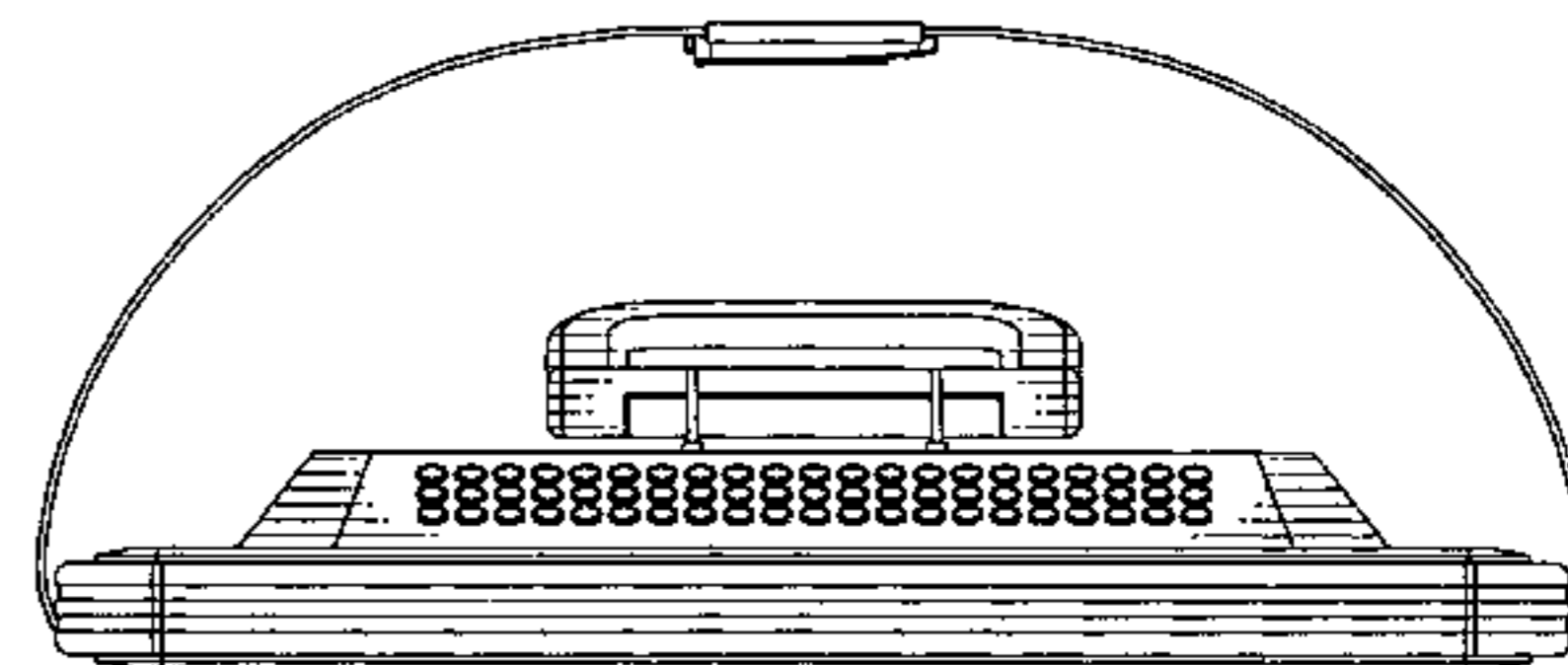
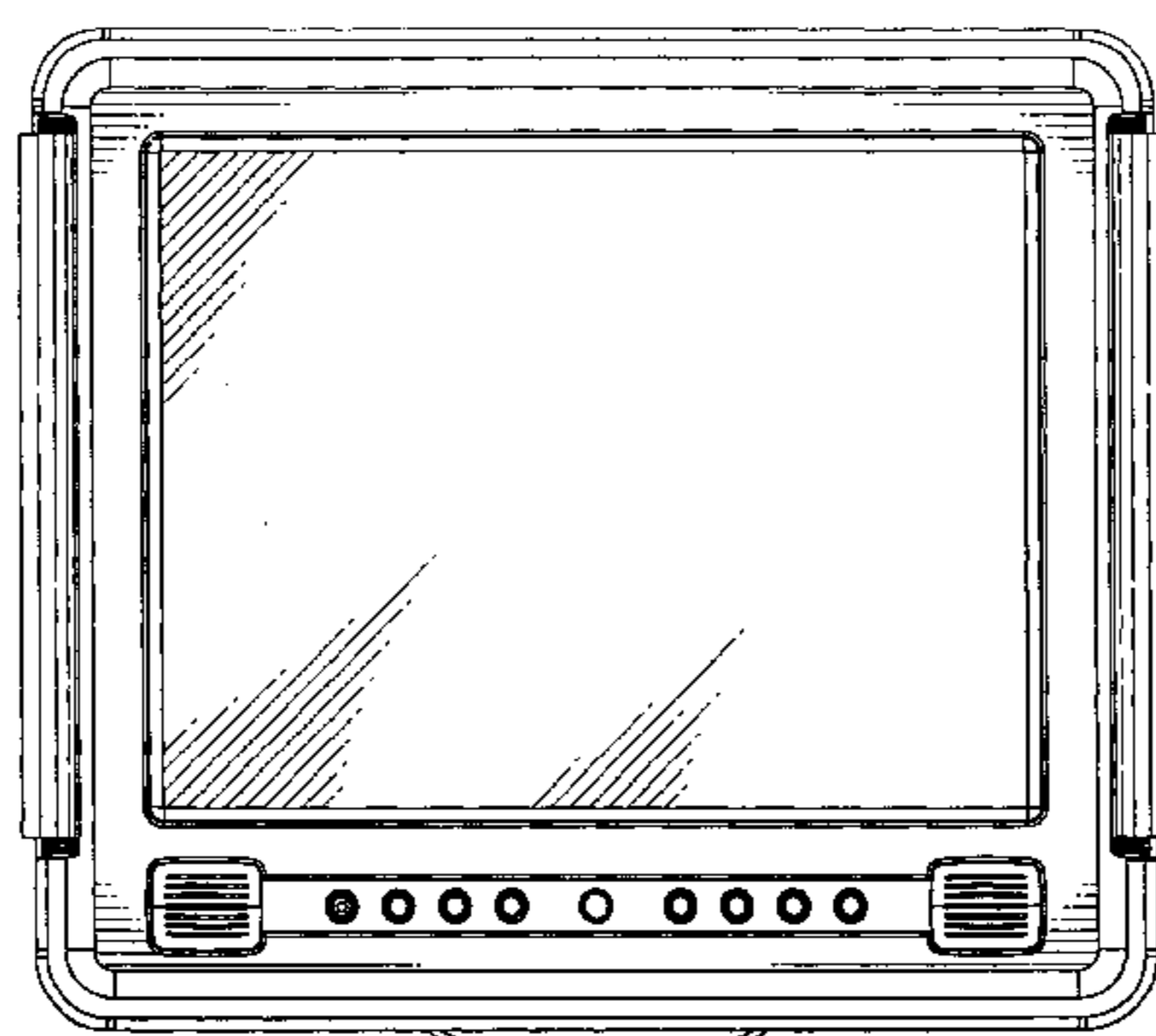
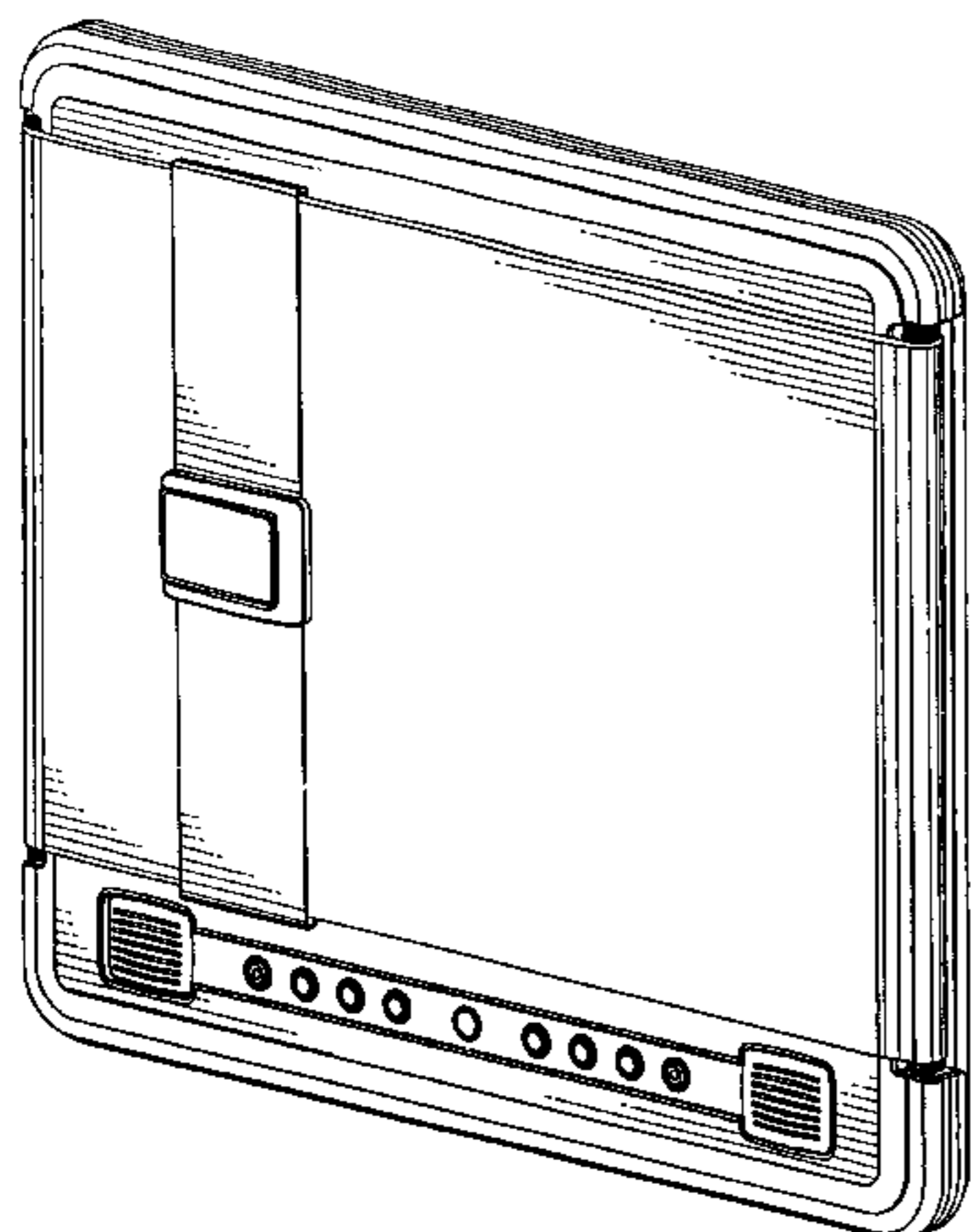
(57) **CLAIM**

The ornamental design for an LCD display, as shown and described.

DESCRIPTION

FIG. 1 is a front perspective view thereof;
FIG. 2 is a right side elevational view thereof;
FIG. 3 is a top plane view thereof;
FIG. 4 is a front elevational view thereof;
FIG. 5 is a bottom plane view thereof;
FIG. 6 is a left side elevational view thereof;
FIG. 7 is a rear elevational view thereof;
FIG. 8 depicts a liquid crystal display in accordance with the present invention, observed from the rear thereof, wherein the liquid crystal display is in use and the protecting belts of the liquid crystal are buckled in the rear thereof;
FIG. 9 depicts a liquid crystal display of FIG. 8, observed from the left side thereof;
FIG. 10 depicts a liquid crystal display of FIG. 8, observed from the top thereof; and,
FIG. 11 depicts a liquid crystal display of FIG. 8, observed from the rear thereof.

1 Claim, 11 Drawing Sheets



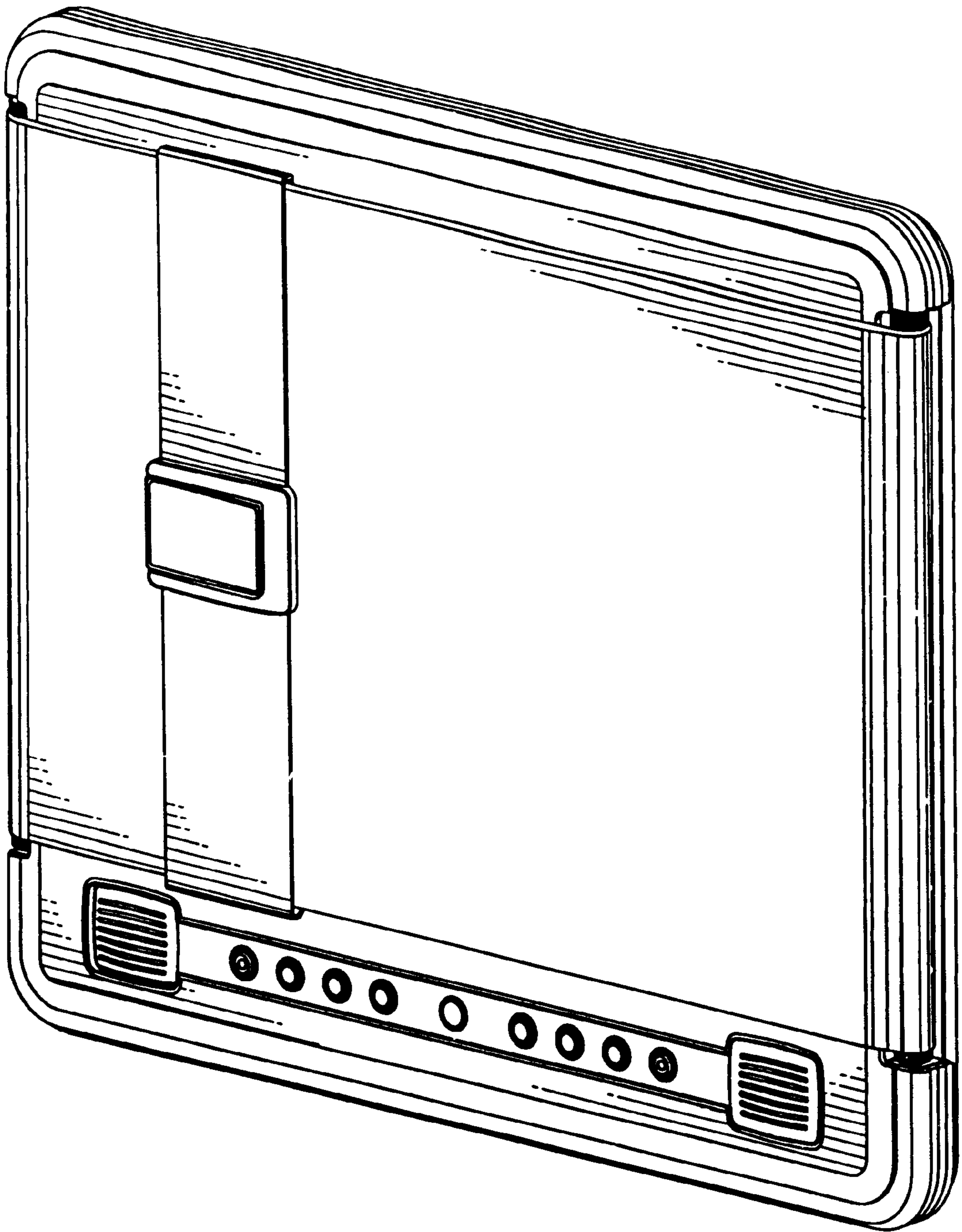


FIG. 1

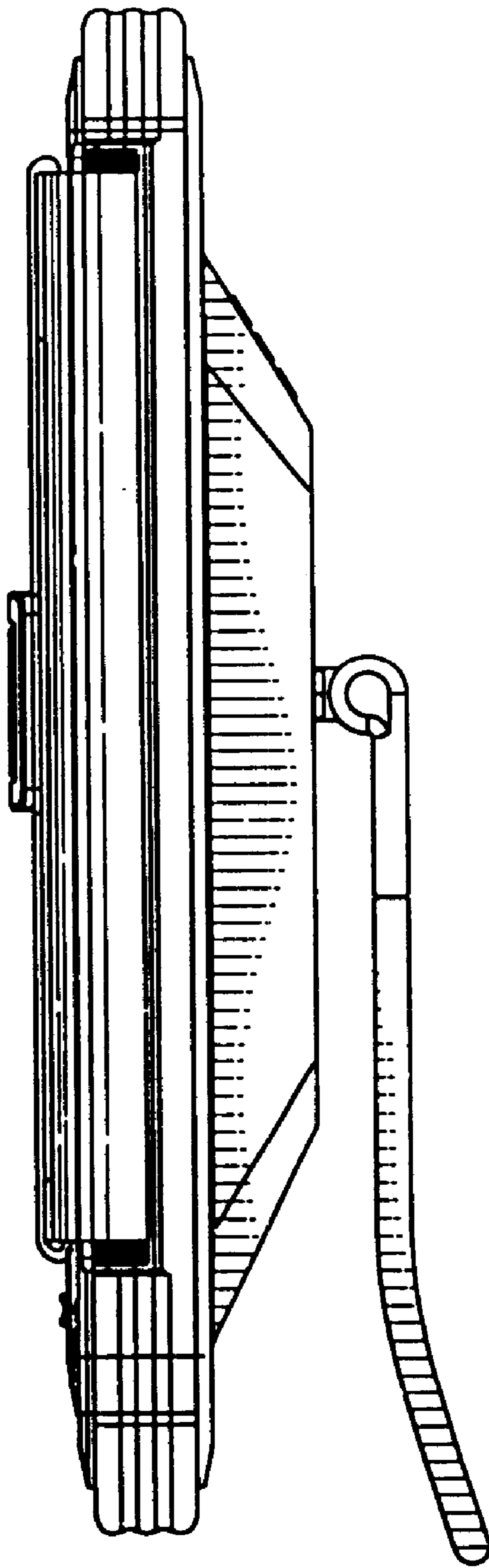


FIG. 2

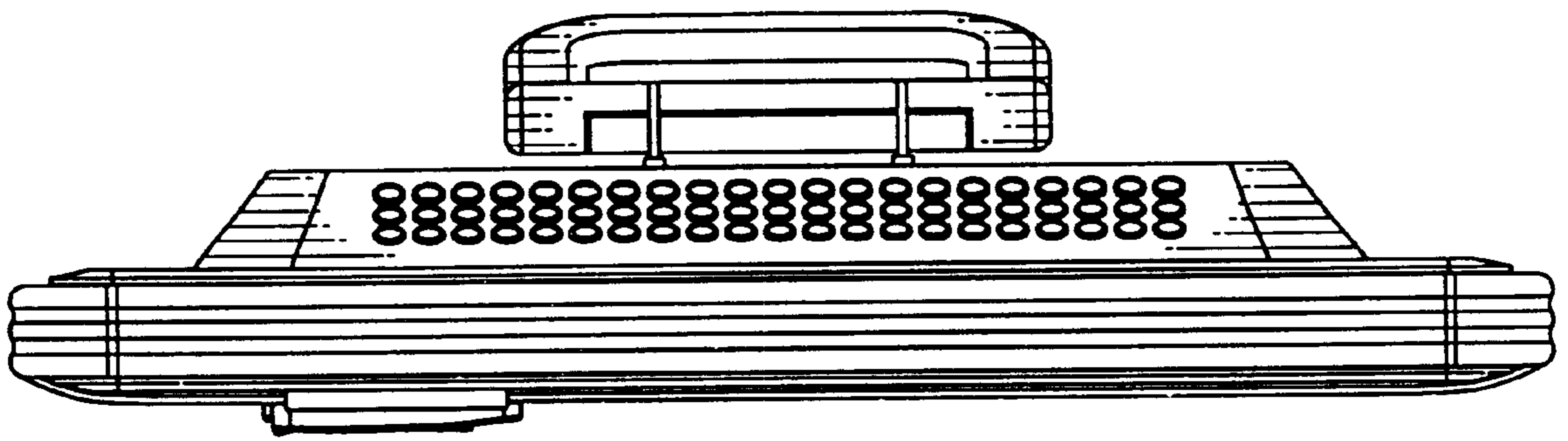


FIG. 3

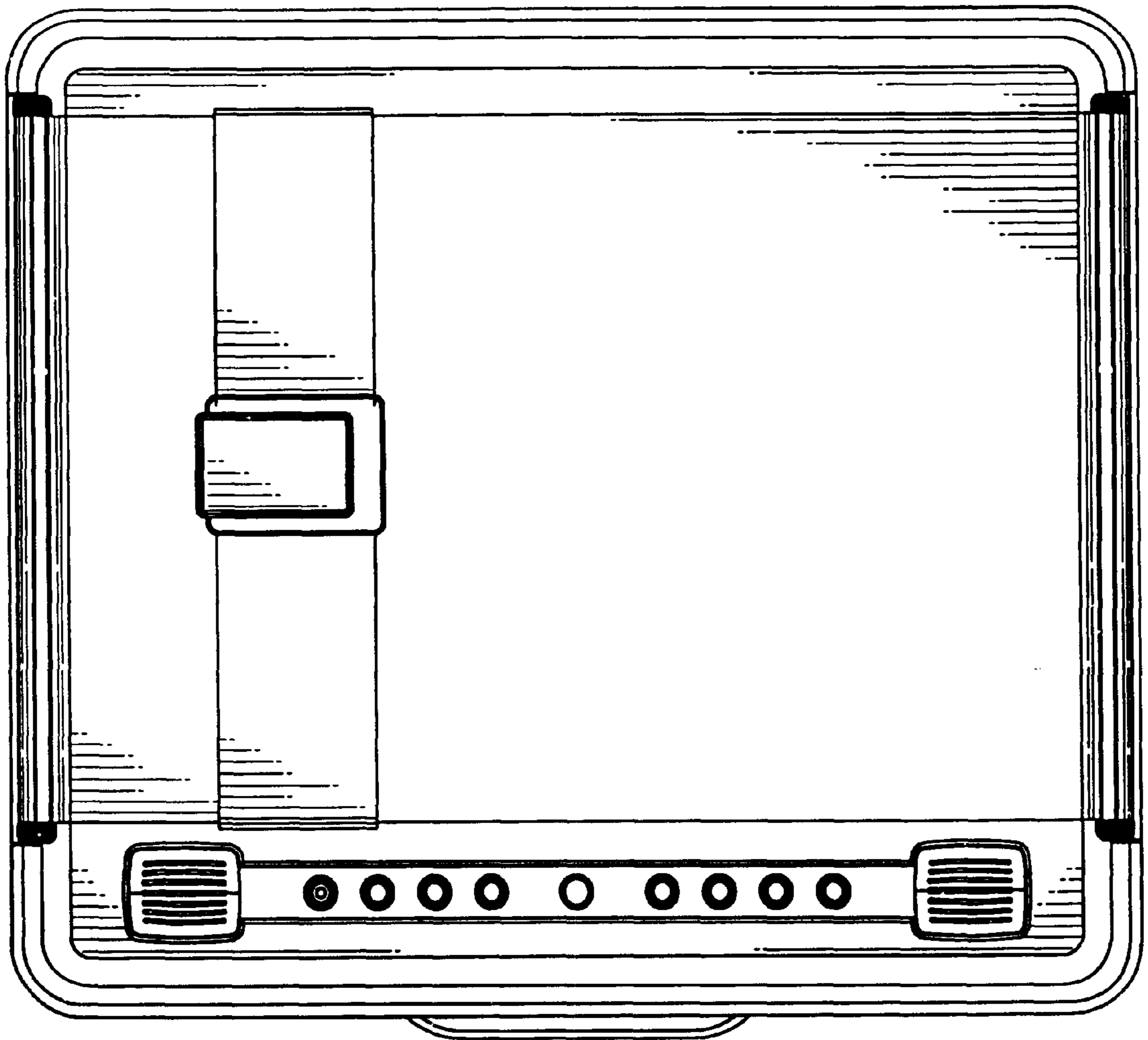


FIG. 4

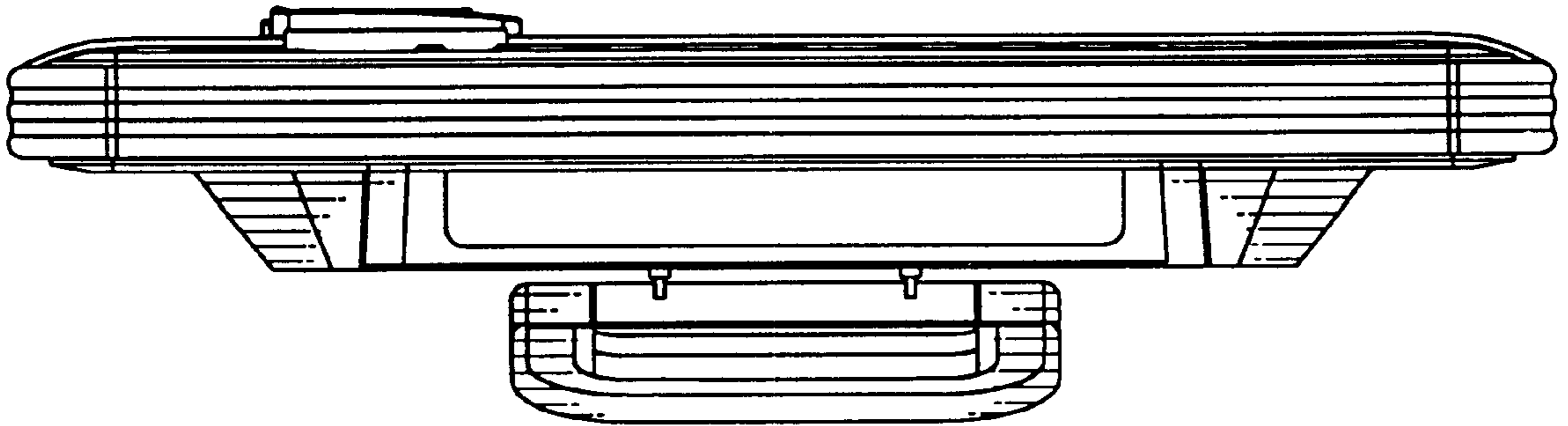


FIG. 5

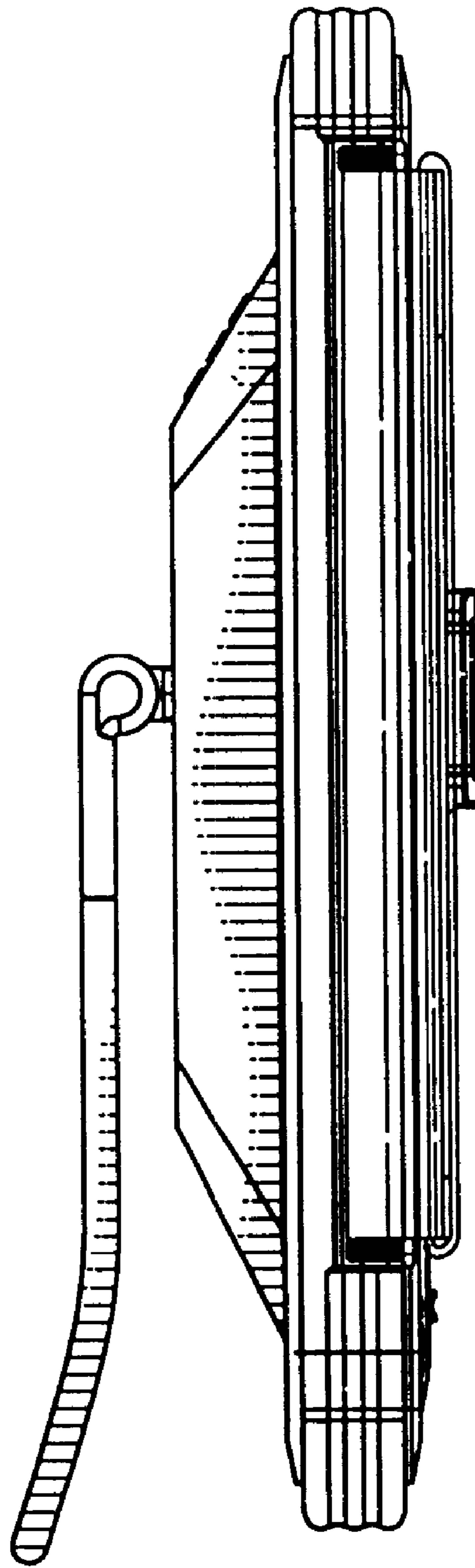


FIG. 6

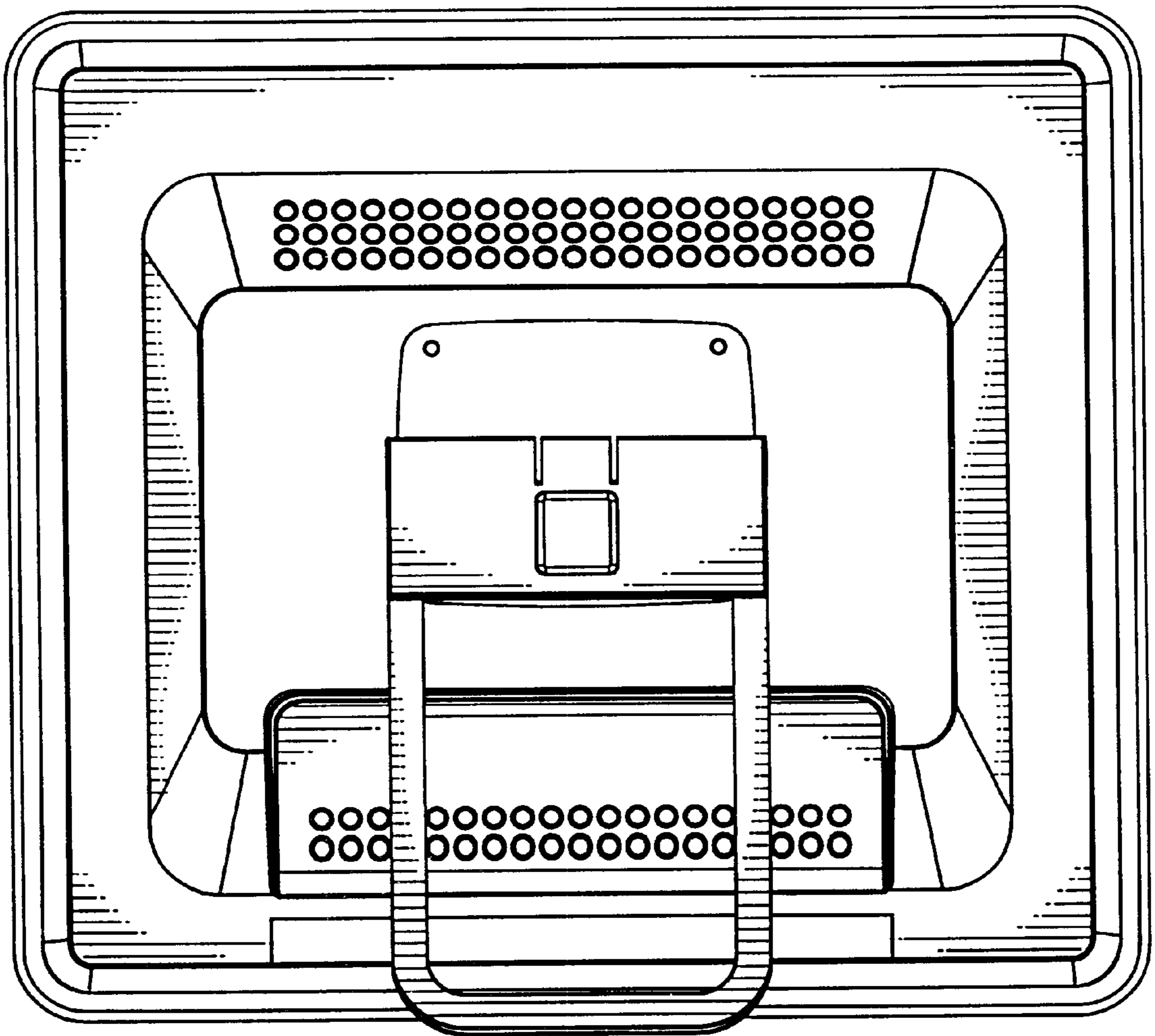


FIG. 7

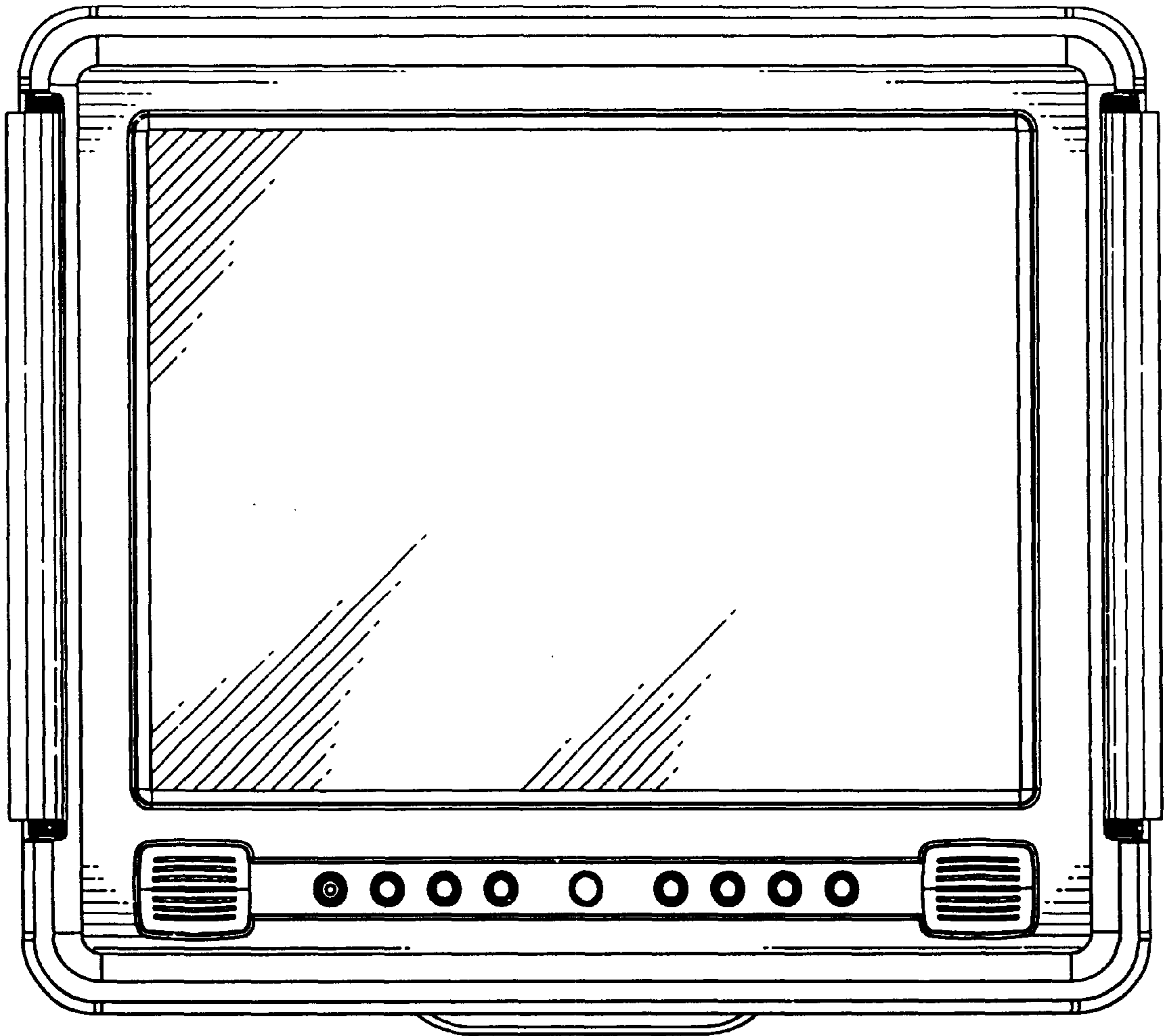


FIG. 8

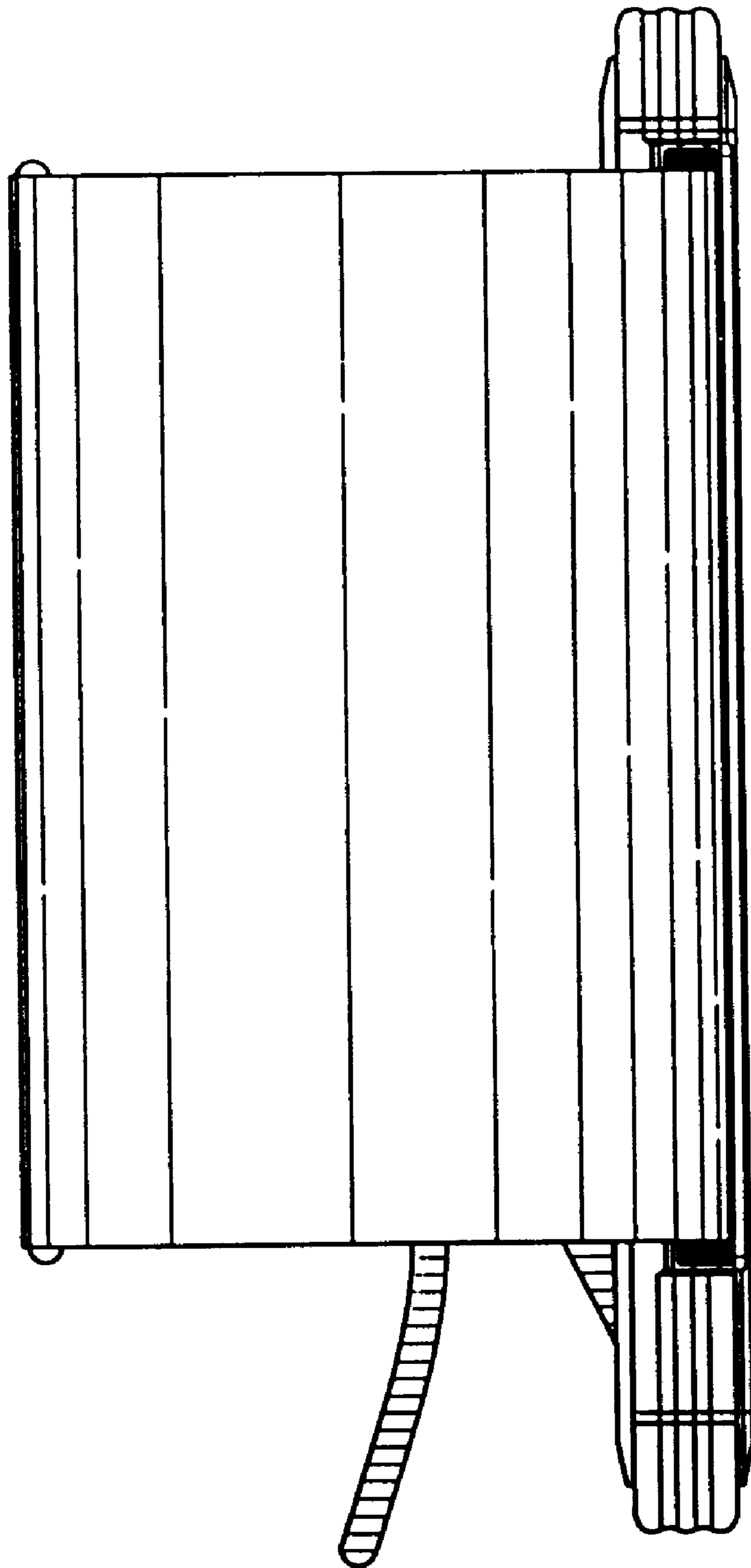


FIG. 9

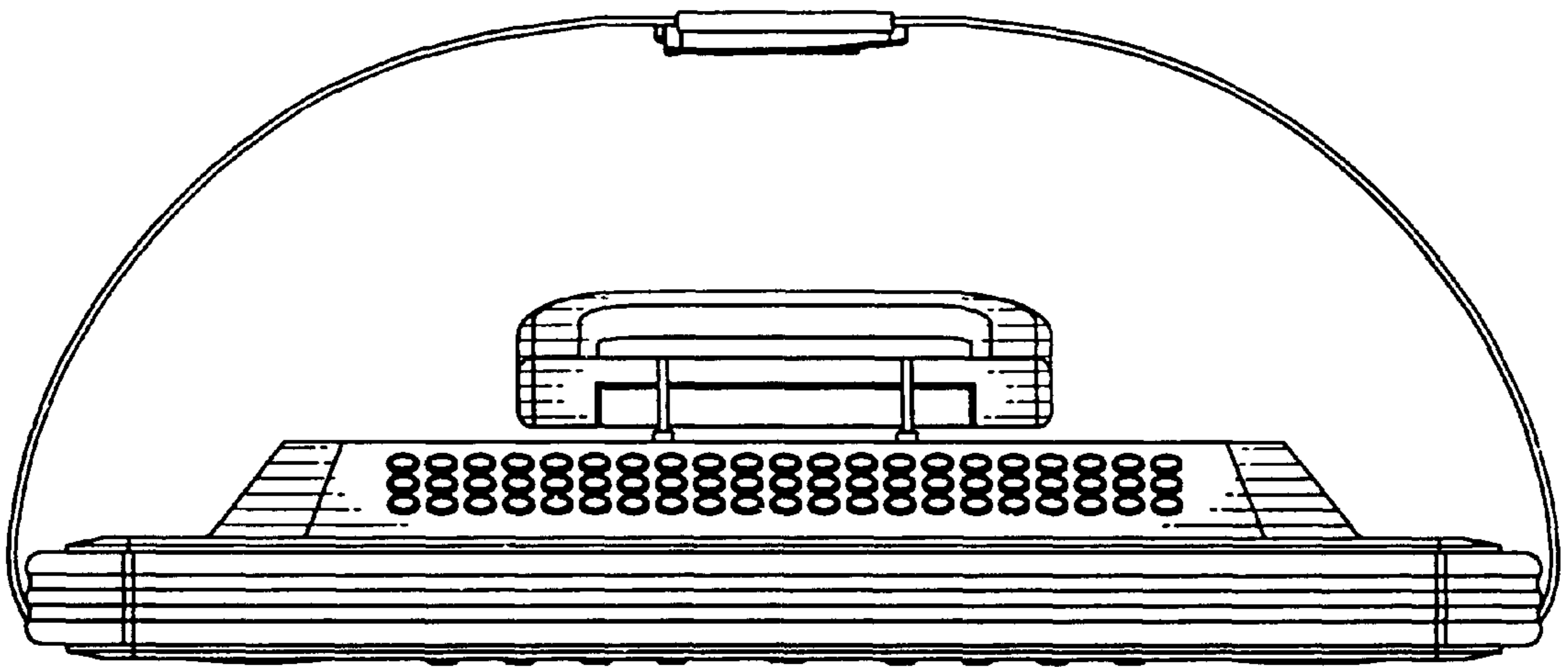


FIG. 10

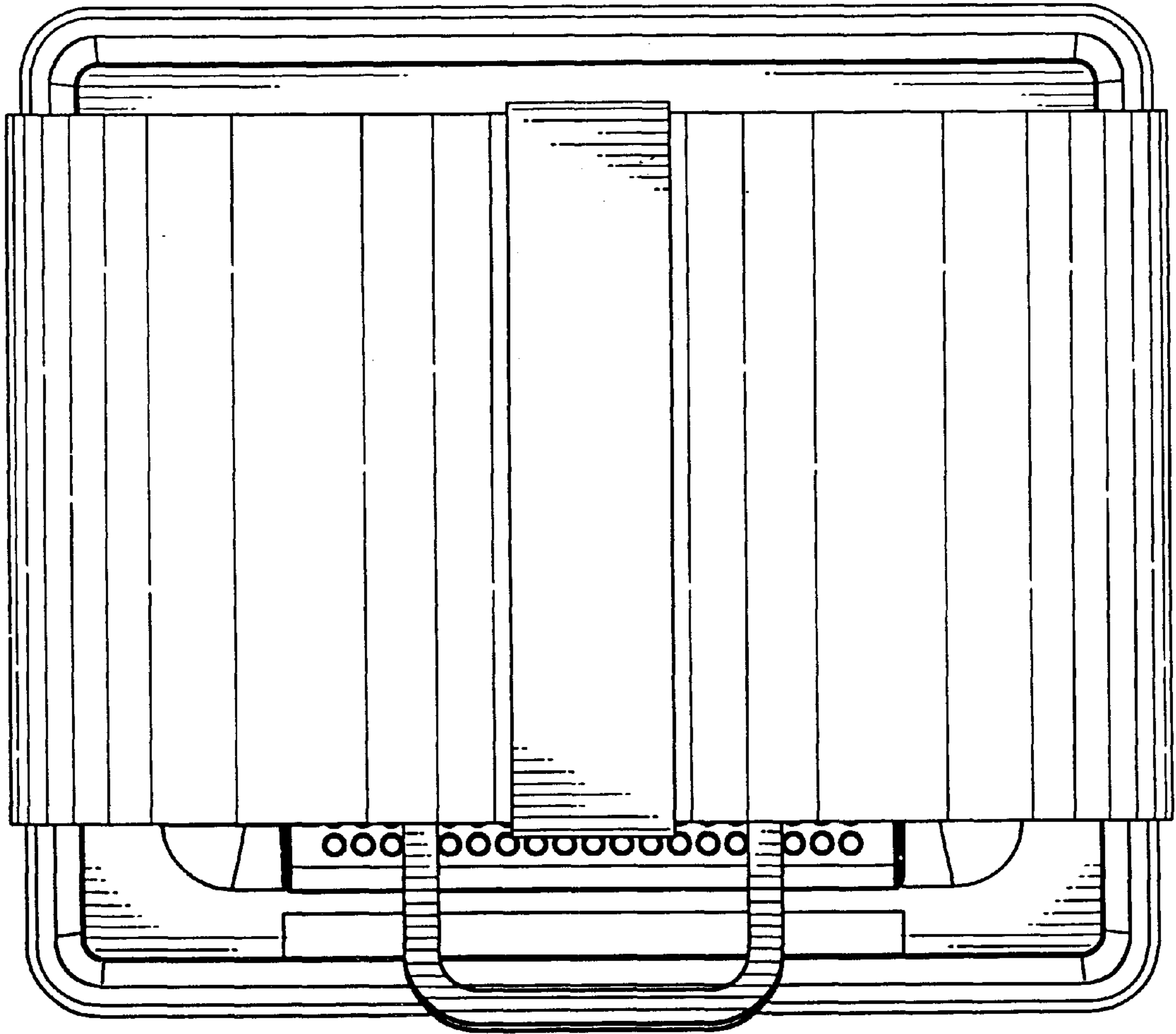


FIG. 11