



US00D472552S

(12) **United States Design Patent**  
**Borsboom et al.**

(10) **Patent No.:** **US D472,552 S**

(45) **Date of Patent:** **\*\* Apr. 1, 2003**

(54) **LCD DISPLAY**

(75) Inventors: **Antonious M. Borsboom**, Singapore (SG); **Edwin Lord Beck**, Singapore (SG); **Zheng Tang**, Singapore (SG); **Lawrence Kok Chian Leong**, Singapore (SG); **Daniel Tiong Hai Toh**, Singapore (SG); **Brian Liong Ein Ling**, Singapore (SG); **Kam Wayne Young**, Singapore (SG); **Kok Keong Goh**, Singapore (SG); **Yann Mabile**, Singapore (SG); **Shi-Kuan Chen**, Taipei (TW); **Markus Wierzoch**, Taipei (TW); **Jason Ching-Hsin Yang**, Taipei (TW)

(73) Assignee: **HannStar Display Corp.**, Taipei (TW)

(\*\*) Term: **14 Years**

(21) Appl. No.: **29/160,698**

(22) Filed: **May 14, 2002**

(51) **LOC (7) Cl.** ..... **14-02**

(52) **U.S. Cl.** ..... **D14/375**

(58) **Field of Search** ..... D14/371, 374, D14/375, 376, 125-129; 248/917-924; 345/104, 156, 173, 168; 348/180, 184; 349/1, 2, 11, 62; D21/329

(56) **References Cited**

**U.S. PATENT DOCUMENTS**

D221,968 S \* 9/1971 Fieldhouse ..... D21/329  
D416,549 S \* 11/1999 Coster et al. .... D14/375

\* cited by examiner

*Primary Examiner*—Freda Nunn  
(74) *Attorney, Agent, or Firm*—Merchant & Gould; Tim Tingkang Xia

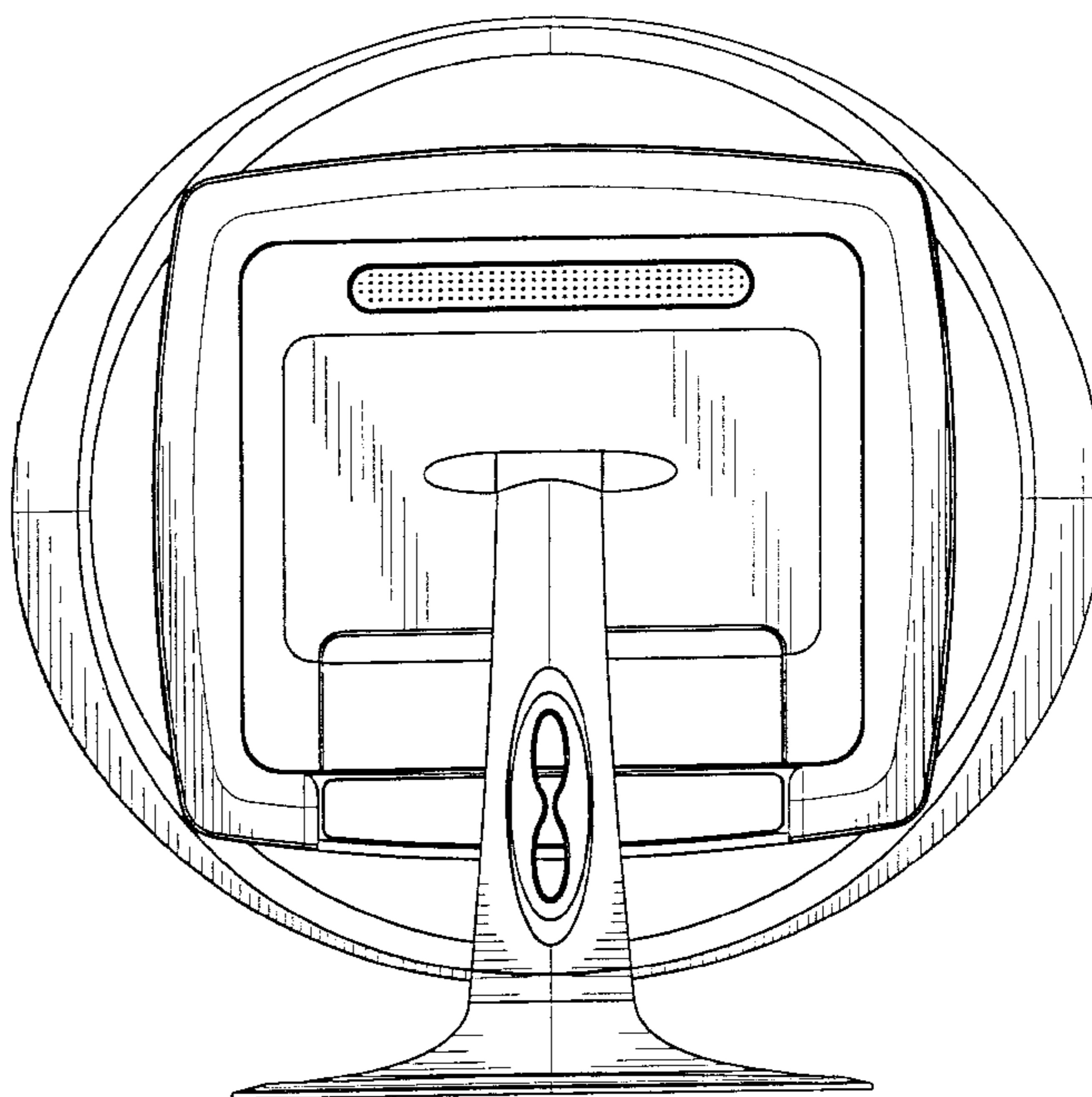
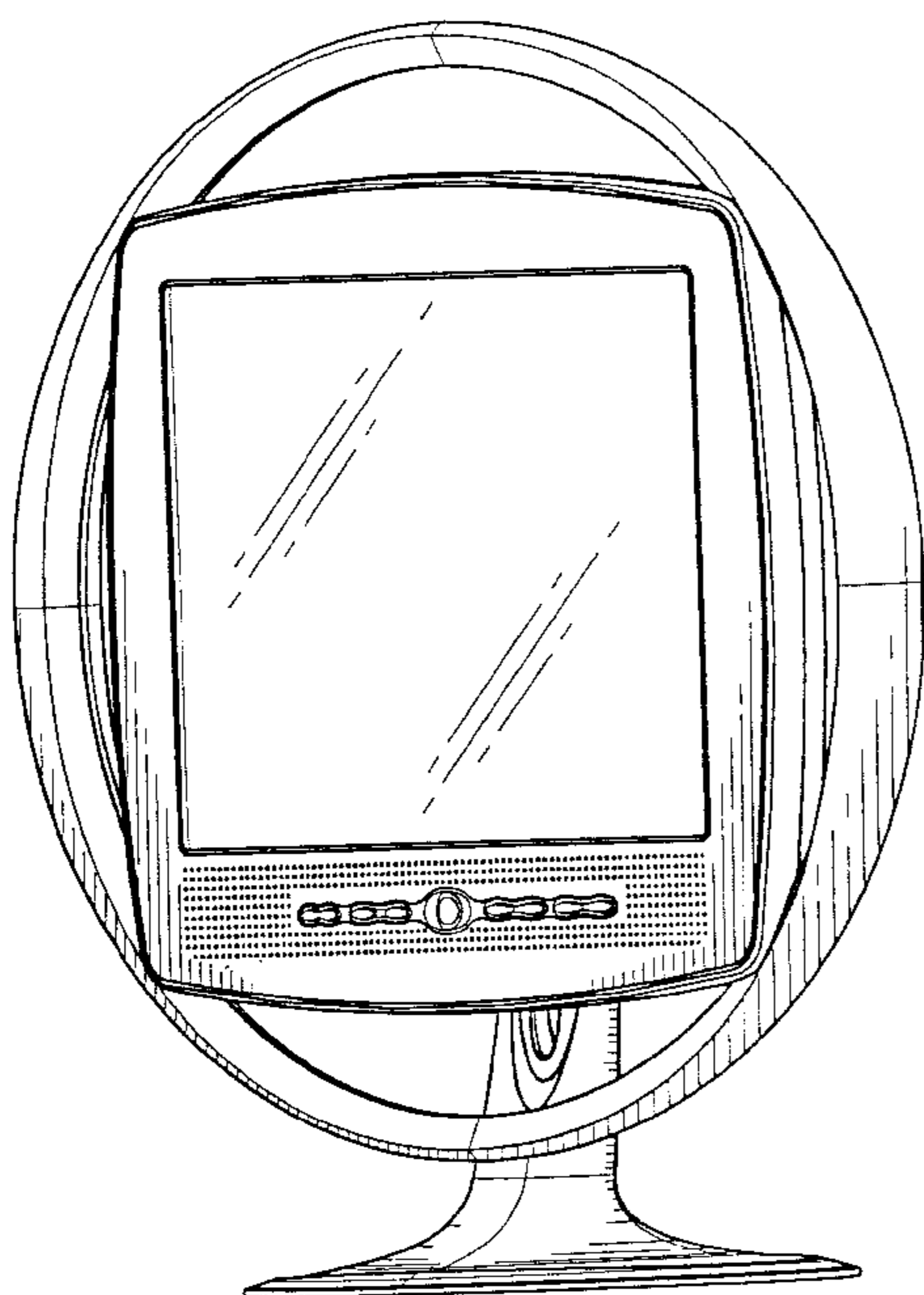
(57) **CLAIM**

The ornamental design for an LCD display, as shown and described.

**DESCRIPTION**

FIG. 1 is a front perspective view thereof;  
FIG. 2 is a right side elevational view thereof;  
FIG. 3 is a top plane view thereof;  
FIG. 4 is a front elevational view thereof;  
FIG. 5 is a bottom plane view thereof;  
FIG. 6 is a left side elevational view thereof; and,  
FIG. 7 is a rear elevational view thereof.

**1 Claim, 7 Drawing Sheets**



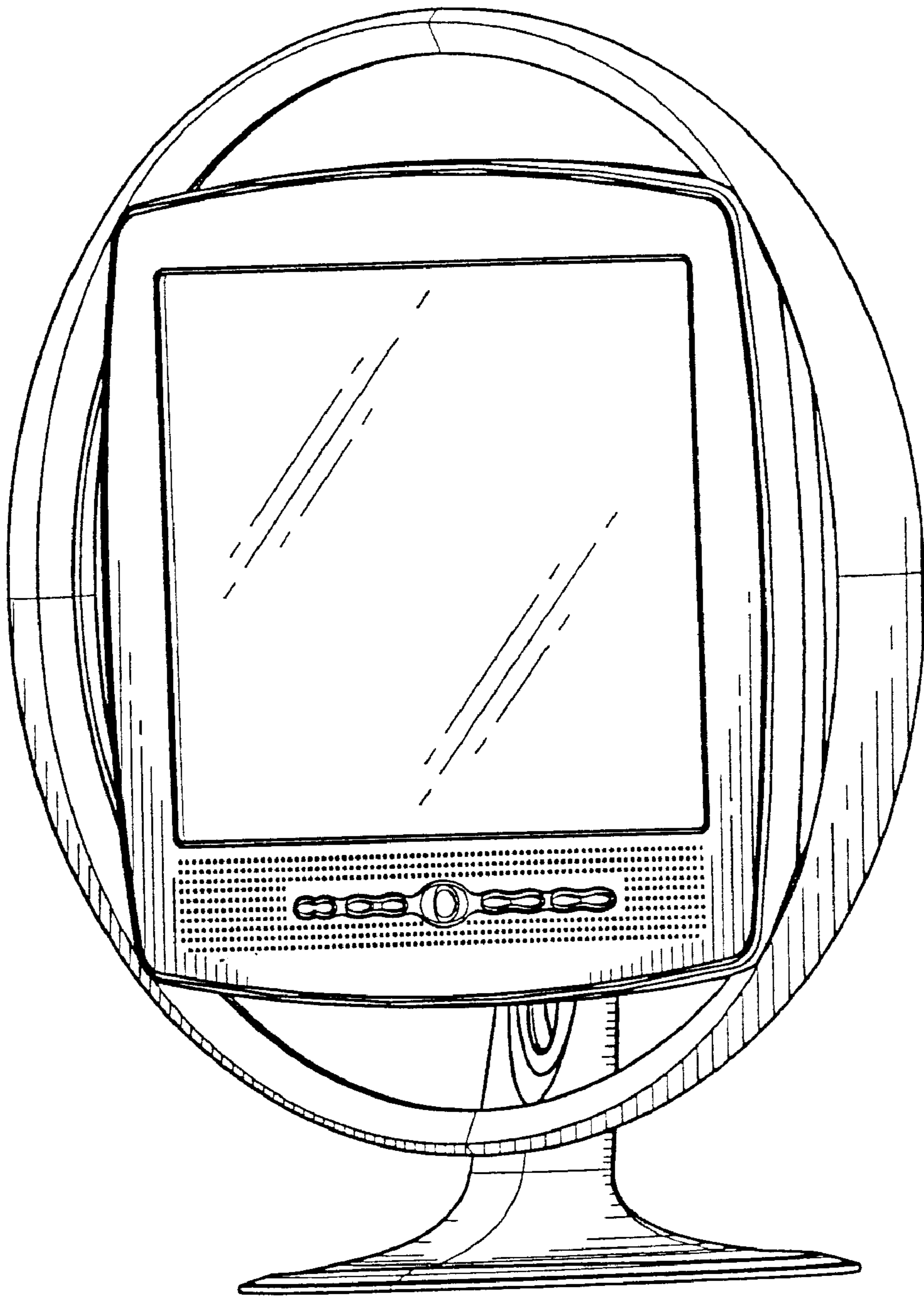


FIG. 1

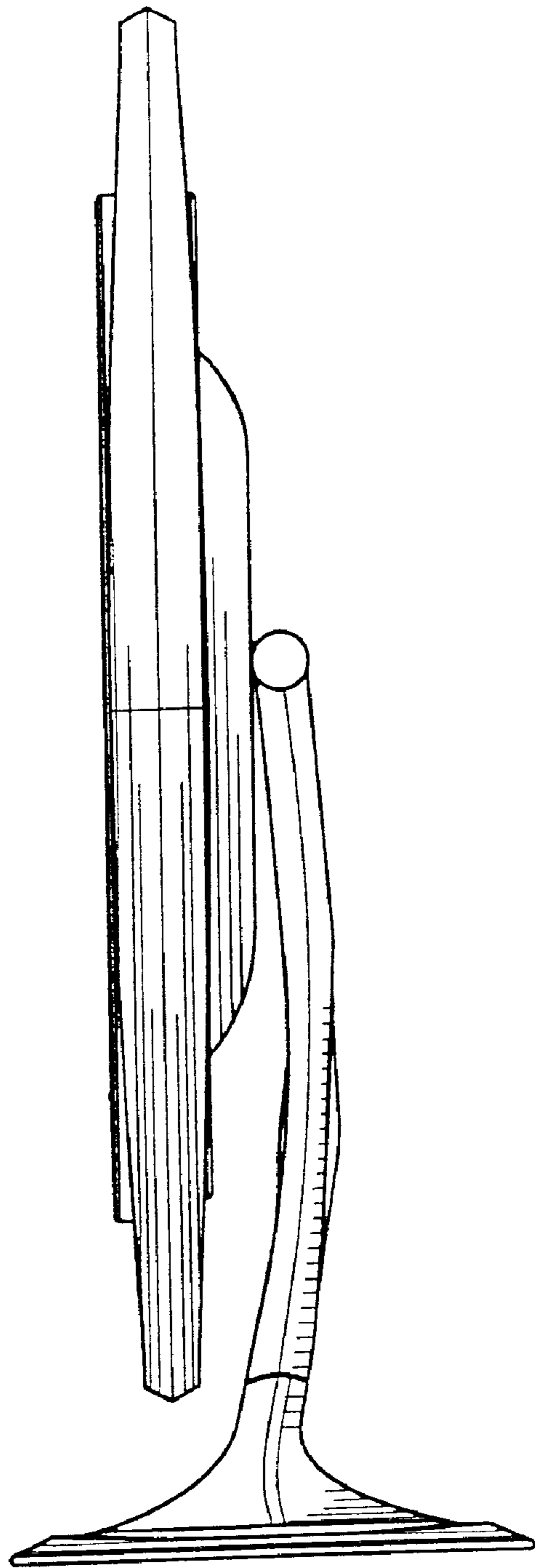


FIG. 2

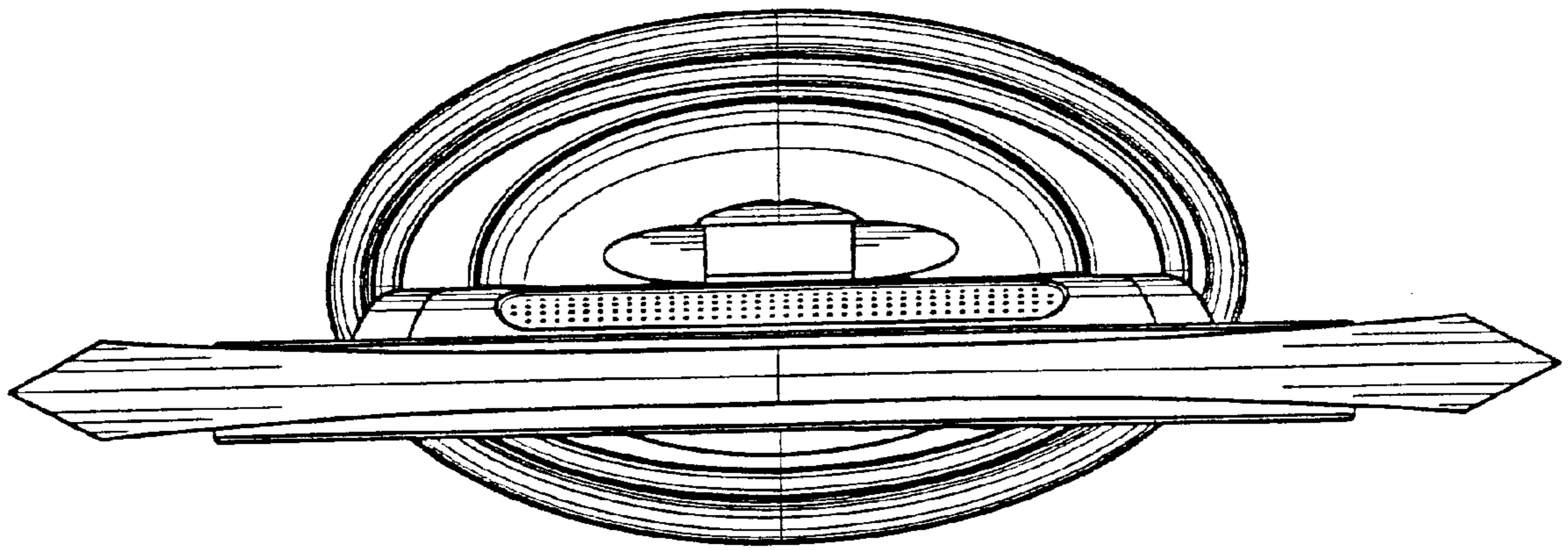


FIG. 3

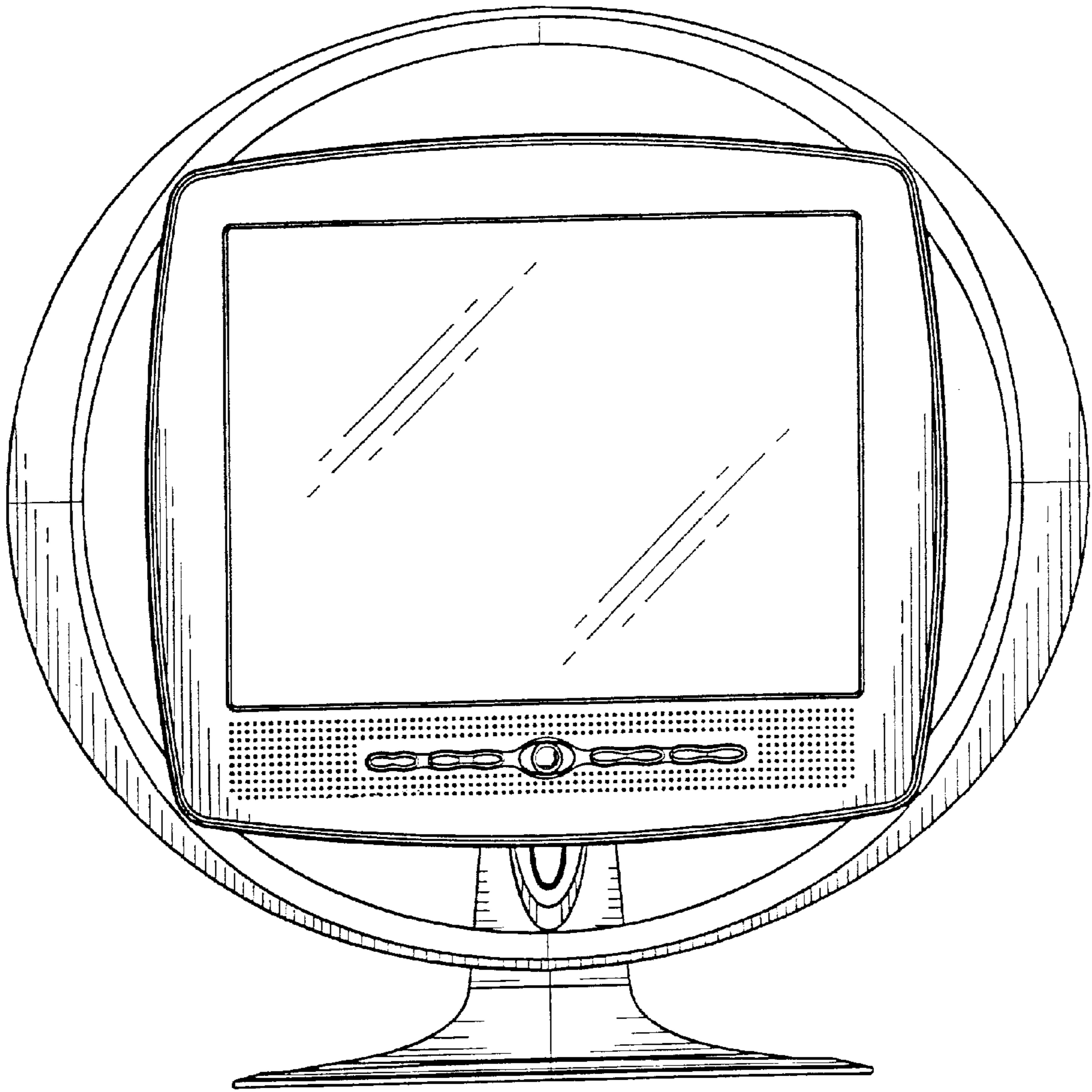


FIG. 4



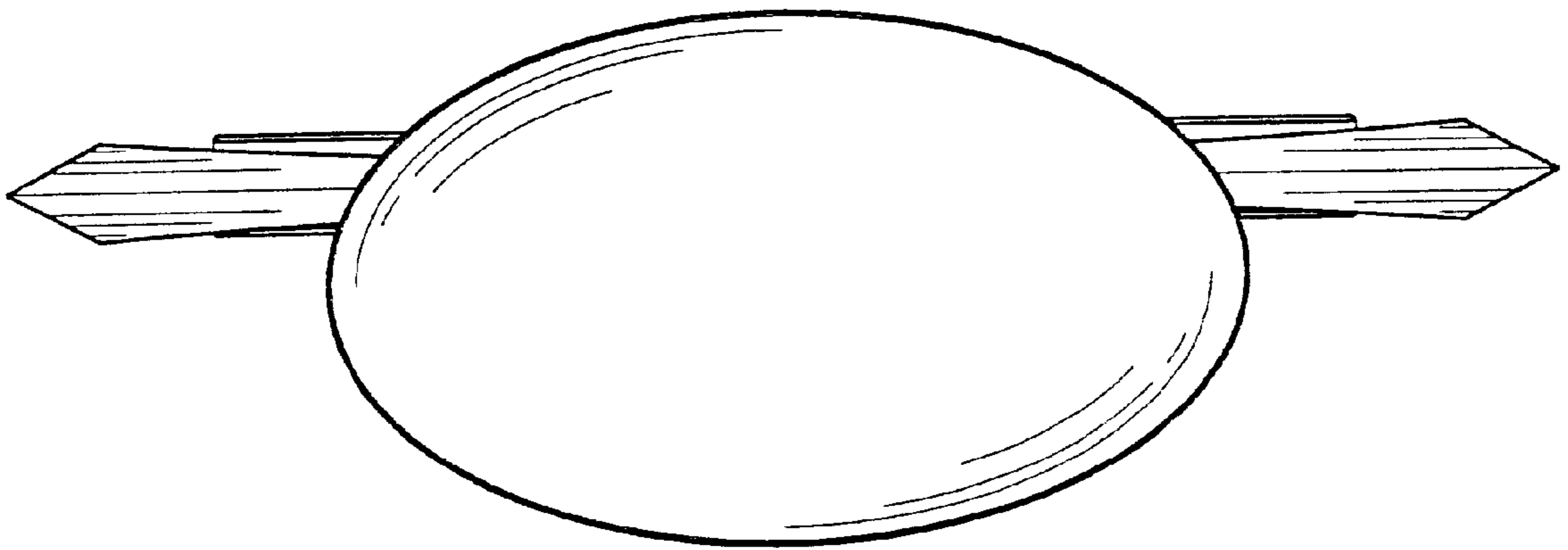


FIG. 5

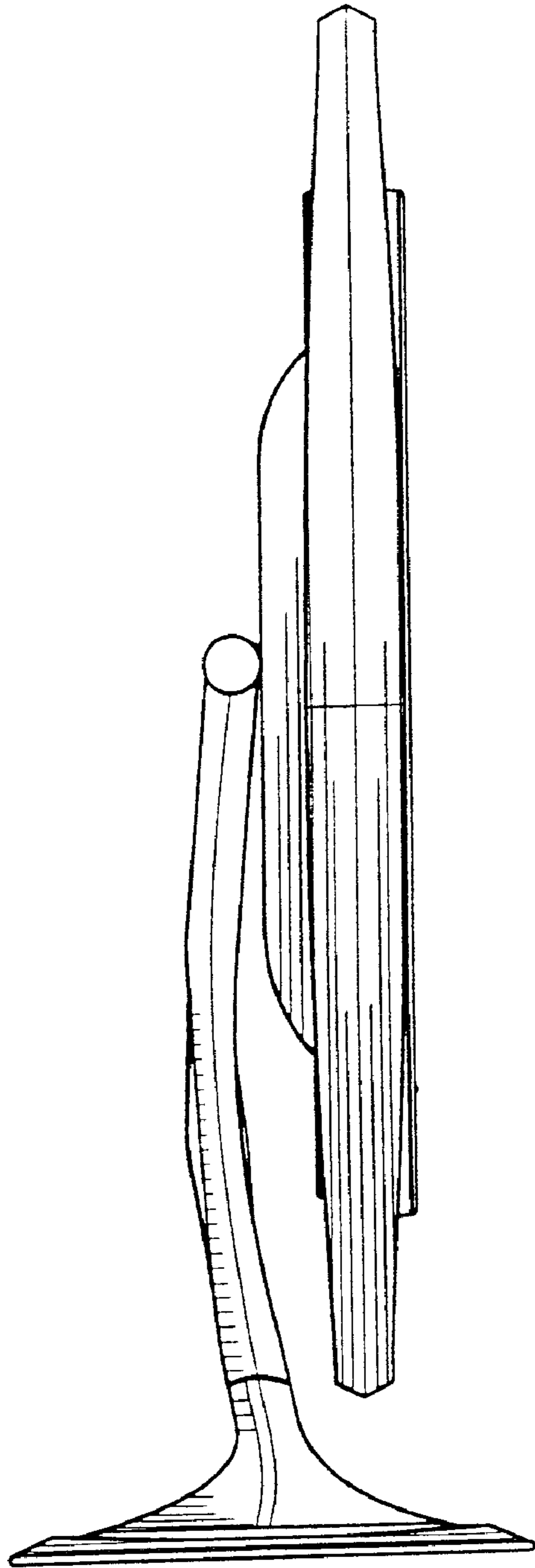


FIG. 6

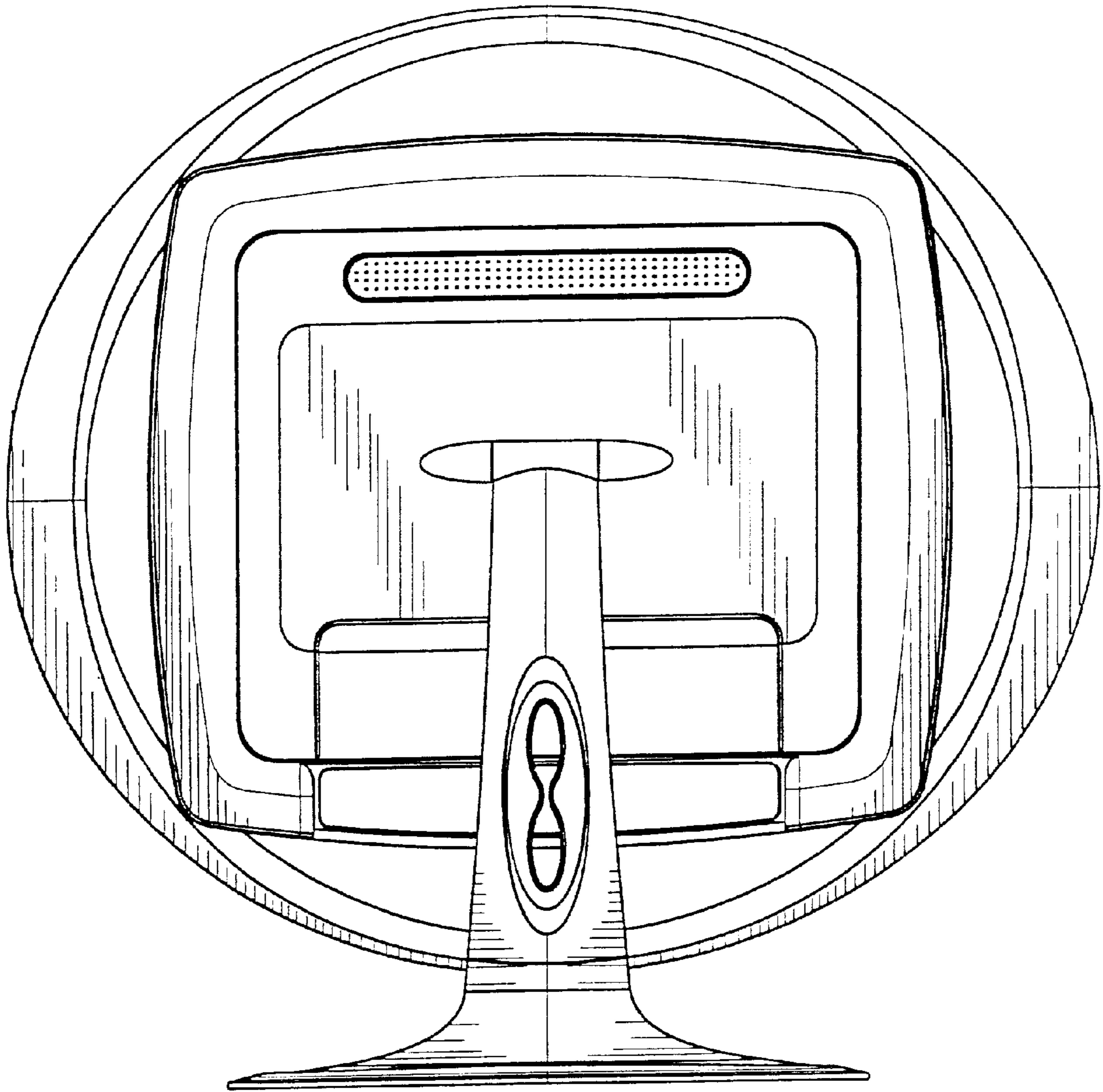


FIG. 7