



US00D472550S

(12) **United States Design Patent**
Mehne et al.

(10) **Patent No.:** **US D472,550 S**

(45) **Date of Patent:** **** Apr. 1, 2003**

(54) **MOBILE TERMINAL WITH VIDEO DISPLAY**

5,612,732 A 3/1997 Yuyama et al.
D389,814 S * 1/1998 Iwamoto et al. D14/345

(75) Inventors: **Andreas Mehne**, Calgary (CA);
Margaret Crosthwaite, Nr Falmouth
(GB); **Simon Smith**, Waterbeach (GB);
David Ahern, Cambridge (GB)

FOREIGN PATENT DOCUMENTS

WO WO 97/26744 7/1997

* cited by examiner

(73) Assignee: **Orange Personal Communications Services Limited**, Bristol (GB)

Primary Examiner—Freda Nunn
(74) *Attorney, Agent, or Firm*—Knobbe, Martens, Olson & Bear, LLP

(**) Term: **14 Years**

(21) Appl. No.: **29/123,844**

(57) **CLAIM**

(22) Filed: **May 24, 2000**

The ornamental design for a mobile terminal with video display, as shown and described.

(30) **Foreign Application Priority Data**

DESCRIPTION

Nov. 24, 1999 (GB) 2088353

(51) **LOC (7) Cl.** **14-02**

(52) **U.S. Cl.** **D14/345**

(58) **Field of Search** D14/341, 342,
D14/345, 346, 347, 326, 191; D18/1, 2,
7; 235/145 A, 145 R; 345/156, 168, 169,
172, 173; 341/22, 23; 361/680-686

FIG. 1 is a left side view of the mobile terminal with a video display of the present invention, wherein the mobile terminal is shown in an open position with a cover extending from a base of the mobile terminal.

FIG. 2 is a right side view of the mobile terminal with the cover in the open position.

FIG. 3 is a top plan view of the mobile terminal with the cover in the open position.

FIG. 4 is a bottom plan view of the mobile terminal with the cover in the open position.

FIG. 5 is a rear view of the mobile terminal with the cover in the open position; and,

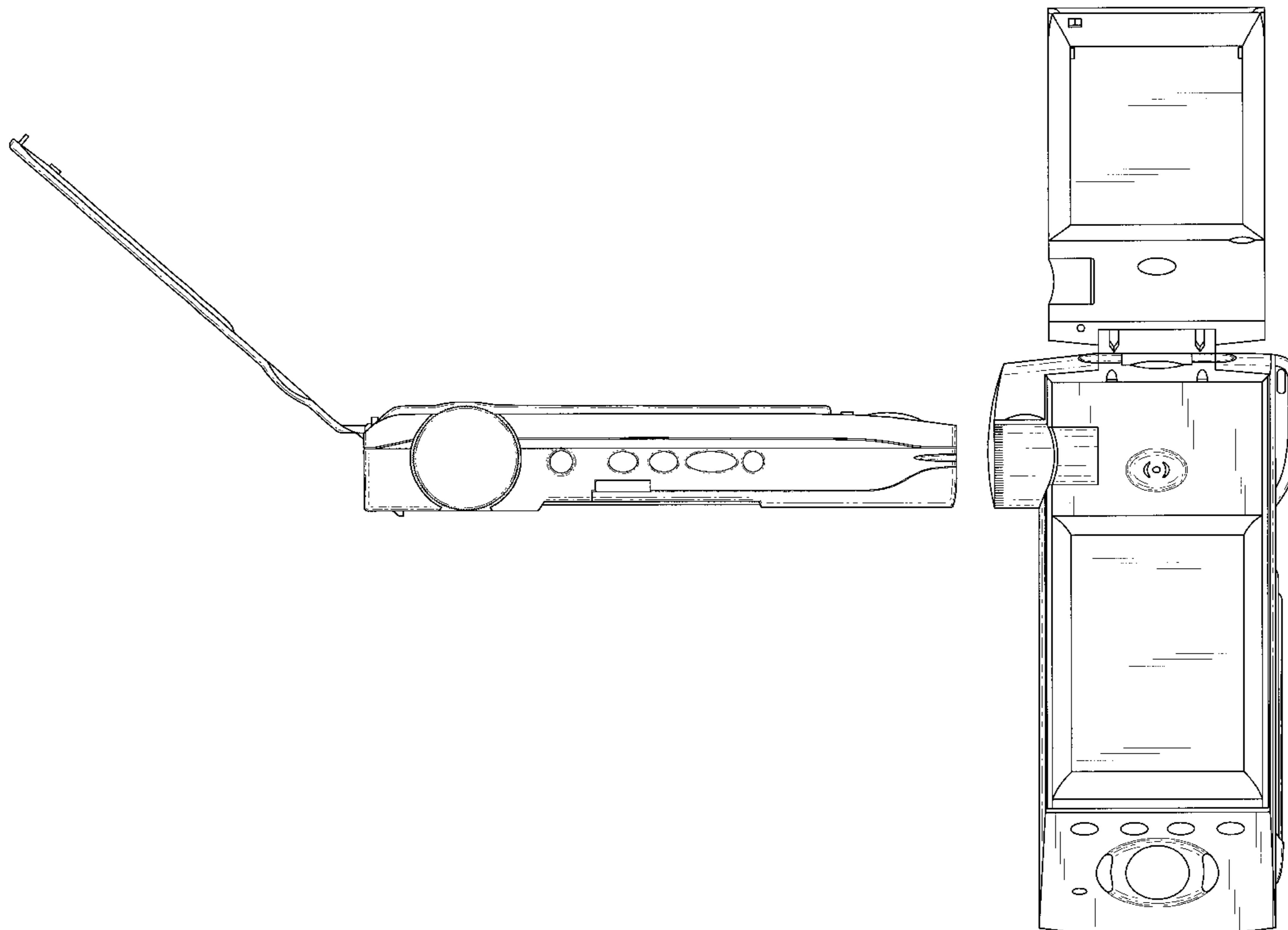
FIG. 6 is a front view of the mobile terminal with the cover in the open position.

(56) **References Cited**

U.S. PATENT DOCUMENTS

D339,114 S * 9/1993 Mizusugi et al. D14/326
D350,763 S * 9/1994 Matsuda et al. D18/7
D354,478 S * 1/1995 Miyahara D14/345
5,491,507 A 2/1996 Umezawa et al.
5,555,157 A * 9/1996 Moller et al. 361/683

1 Claim, 5 Drawing Sheets



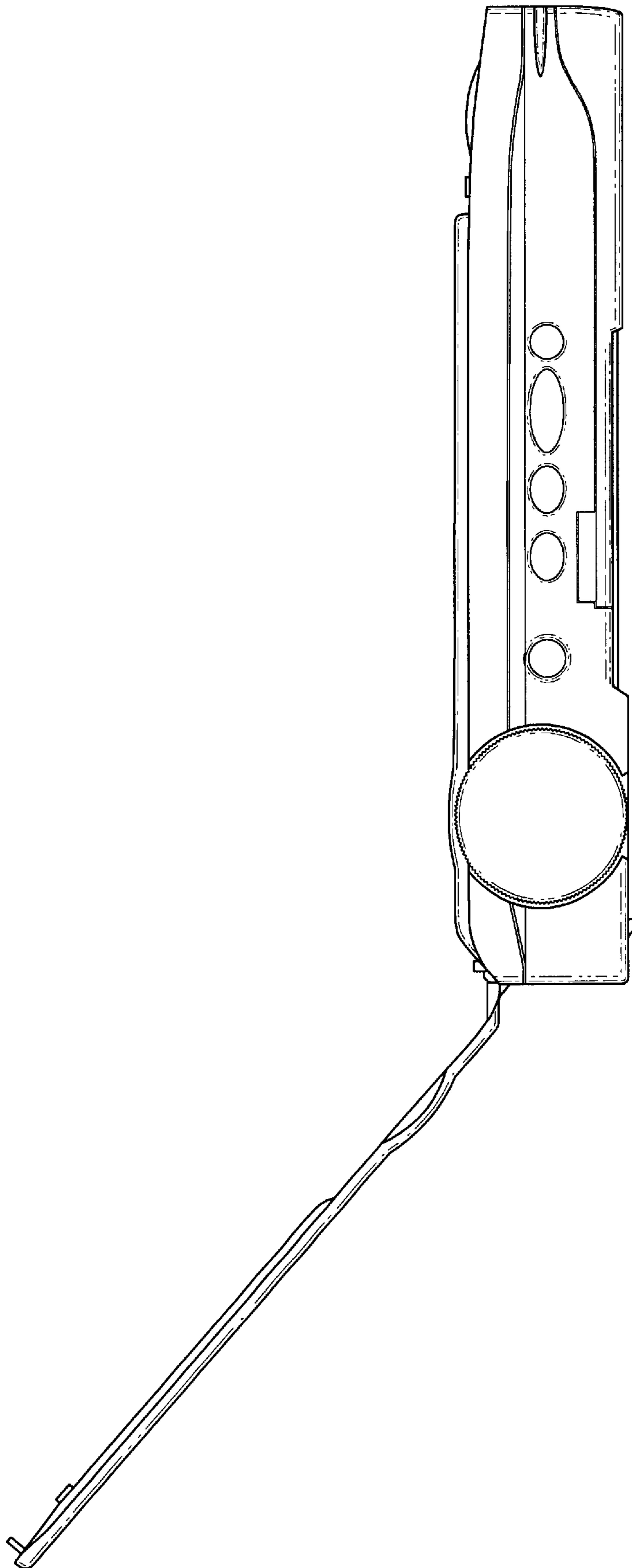


FIG. 1

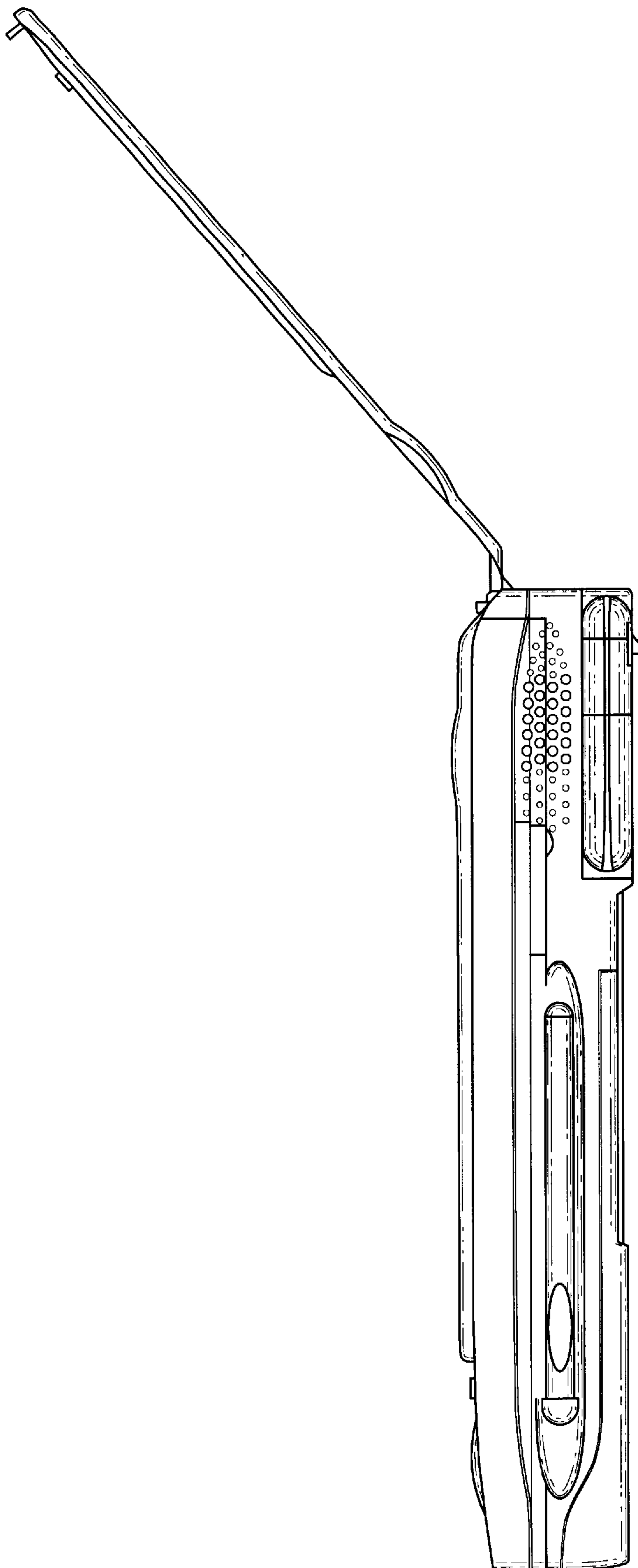


FIG. 2

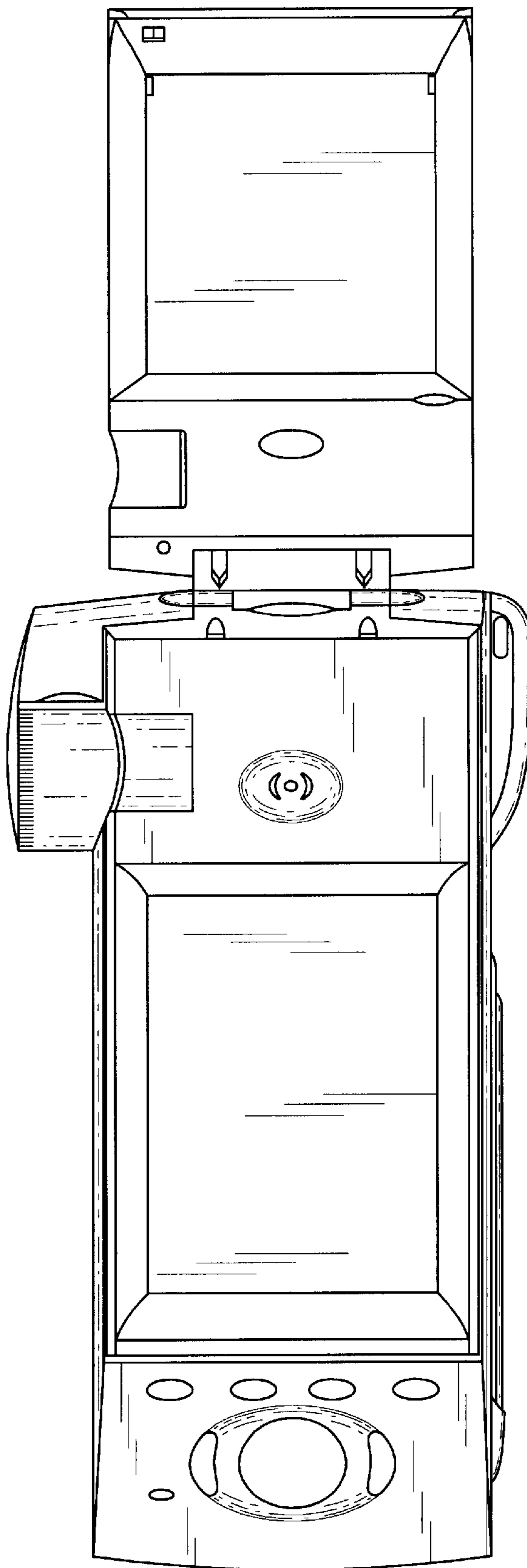


FIG. 3

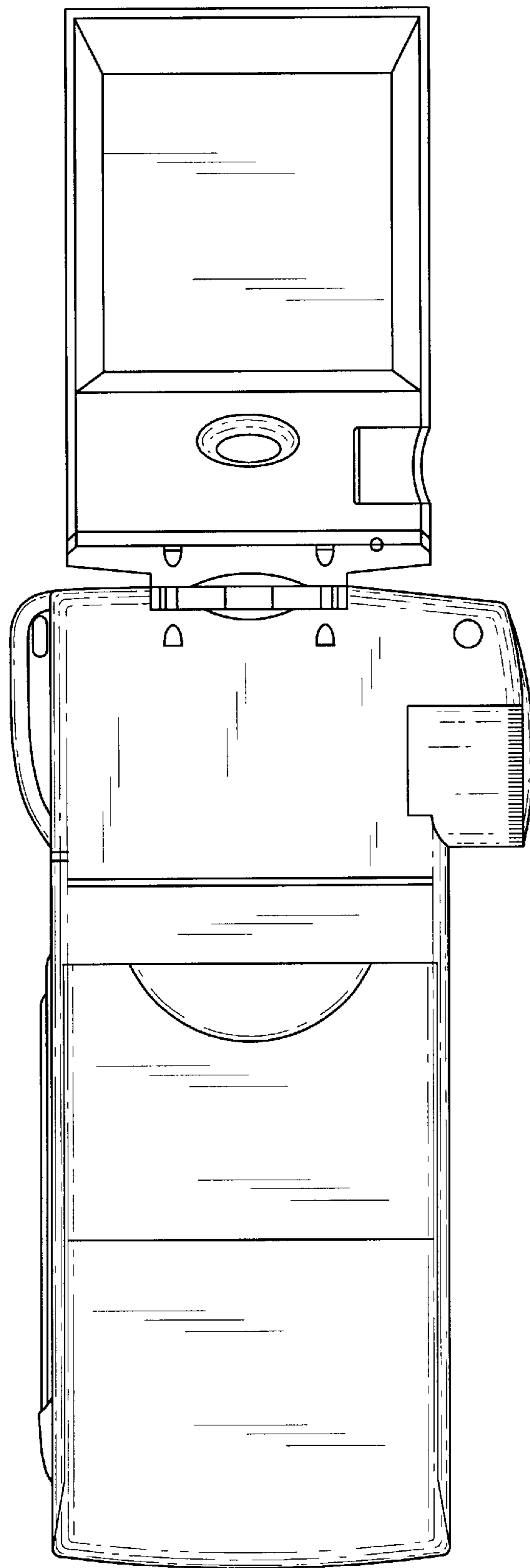


FIG. 4

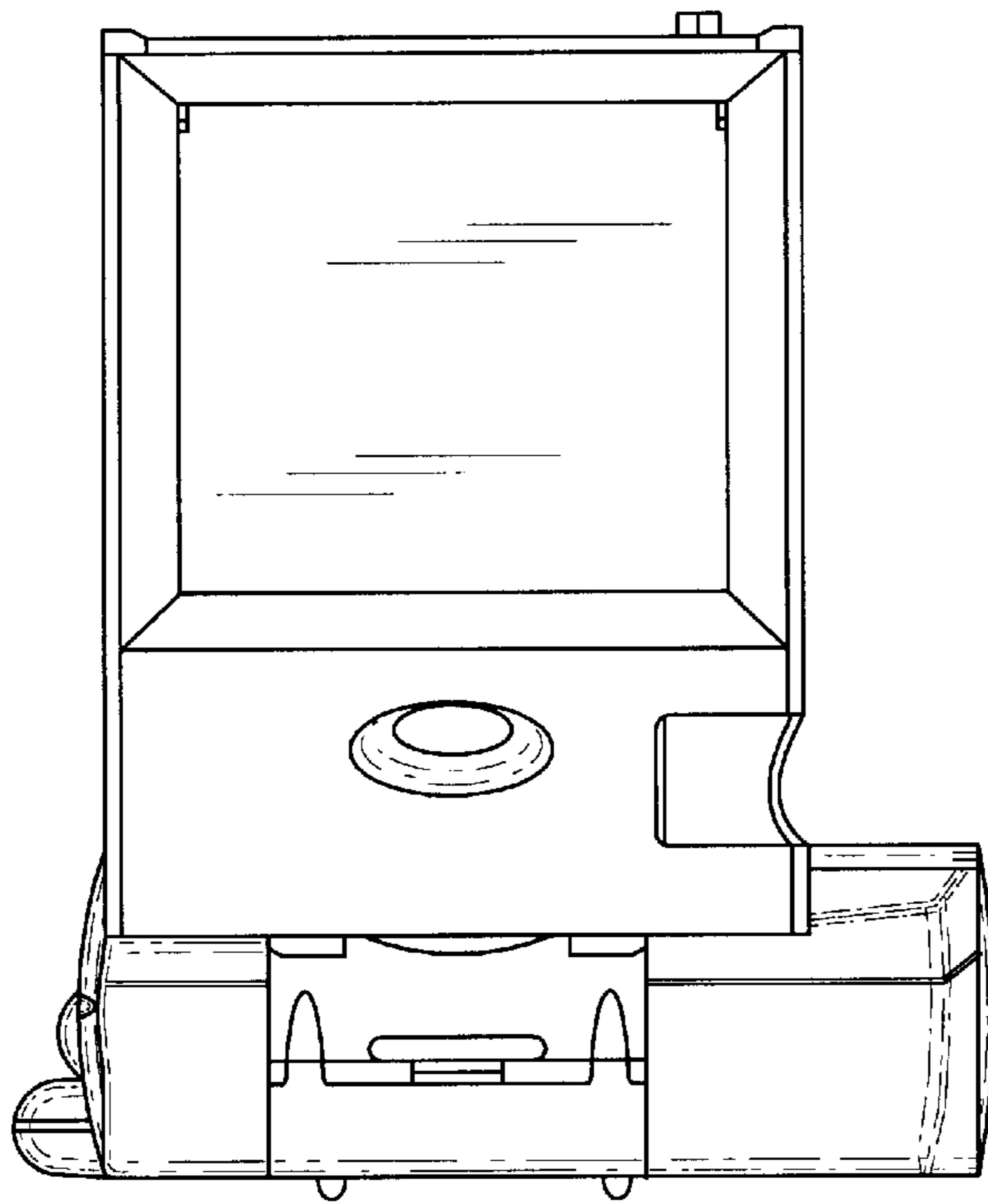


FIG. 5

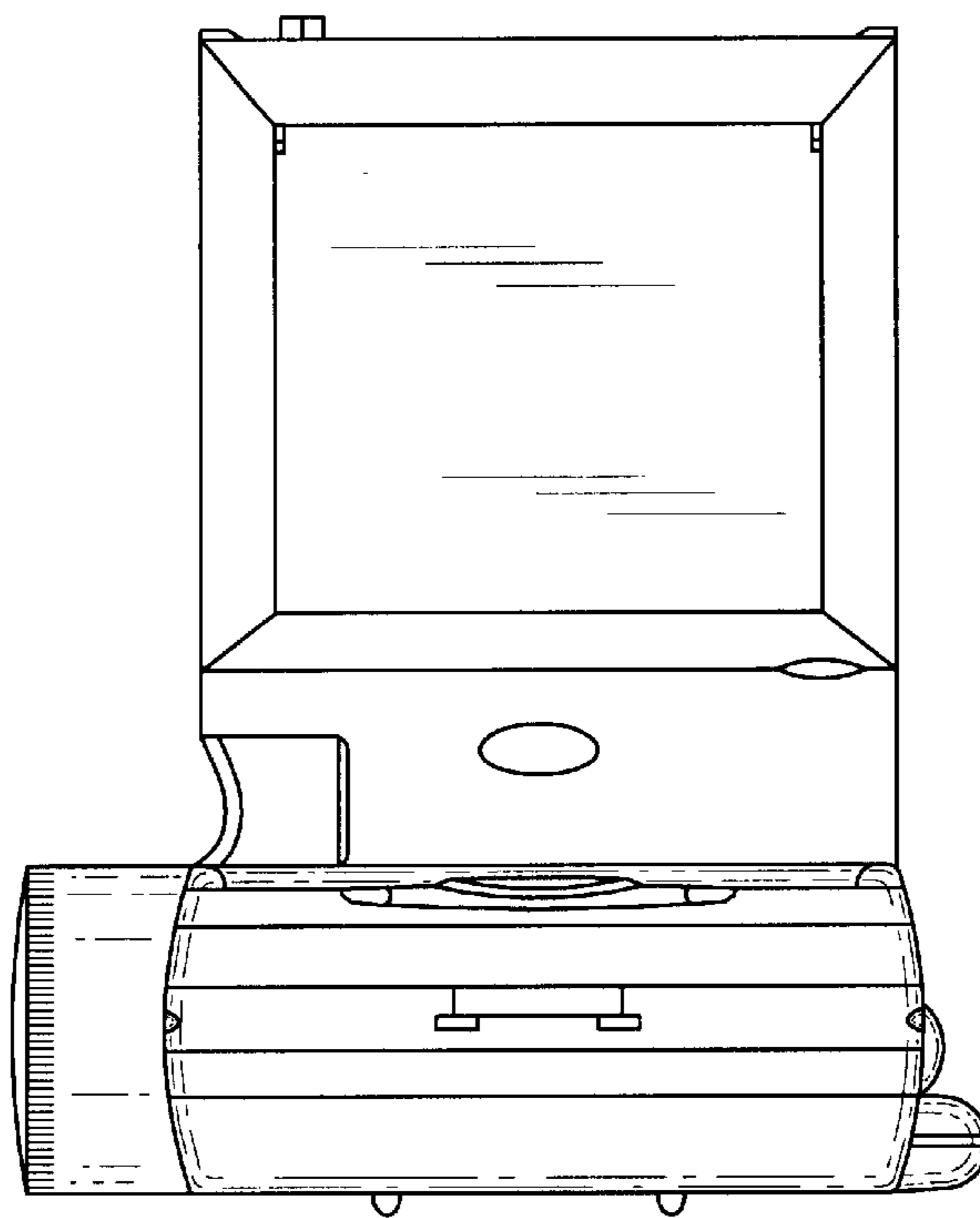


FIG. 6