



US00D472546S

(12) **United States Design Patent**
Tourres

(10) **Patent No.:** **US D472,546 S**

(45) **Date of Patent:** **** Apr. 1, 2003**

(54) **GLASS MOUNTABLE ANTENNA ASSEMBLY**

(75) **Inventor:** **Benoit Tourres**, Porchester (GB)

(73) **Assignee:** **Continental Technologies & Investments Ltd.** (GB)

(**) **Term:** **14 Years**

(21) **Appl. No.:** **29/147,994**

(22) **Filed:** **Sep. 13, 2001**

(51) **LOC (7) Cl.** **14-03**

(52) **U.S. Cl.** **D14/230**

(58) **Field of Search** D14/230-238;
343/711-717, 702, 720, 900, 901, 907,
872, 873, 878, 879; 455/90, 128, 347, 562;
D12/42, 43, 181

(56) **References Cited**

U.S. PATENT DOCUMENTS

4,794,319	A	*	12/1988	Shimazaki	343/715
D320,395	S	*	10/1991	Shimazaki	D14/234
D320,602	S	*	10/1991	Wells et al.	D14/238
D367,481	S	*	2/1996	Bacnik	D14/230

5,565,877	A	*	10/1996	Du et al.	343/715
D388,088	S	*	12/1997	Bond et al.	D14/238
5,751,251	A	*	5/1998	Hutchinson	343/715
D442,577	S	*	5/2001	Strand et al.	D14/230

* cited by examiner

Primary Examiner—Louis S. Zarfes

Assistant Examiner—Deanne Levy

(74) *Attorney, Agent, or Firm*—Webb Ziesenheim Logsdon Orkin & Hanson, P.C.

(57) **CLAIM**

The ornamental design for a glass mountable antenna assembly, as shown.

DESCRIPTION

FIG. 1 is a perspective view of a glass mountable antenna assembly showing the new ornamental design; FIG. 2 is a top plan view thereof; FIG. 3 is a front side elevational view thereof; FIG. 4 is a left end elevational view thereof; FIG. 5 is a right end elevational view thereof; FIG. 6 is a bottom plan view thereof; and, FIG. 7 is a rear plan view thereof.

1 Claim, 4 Drawing Sheets

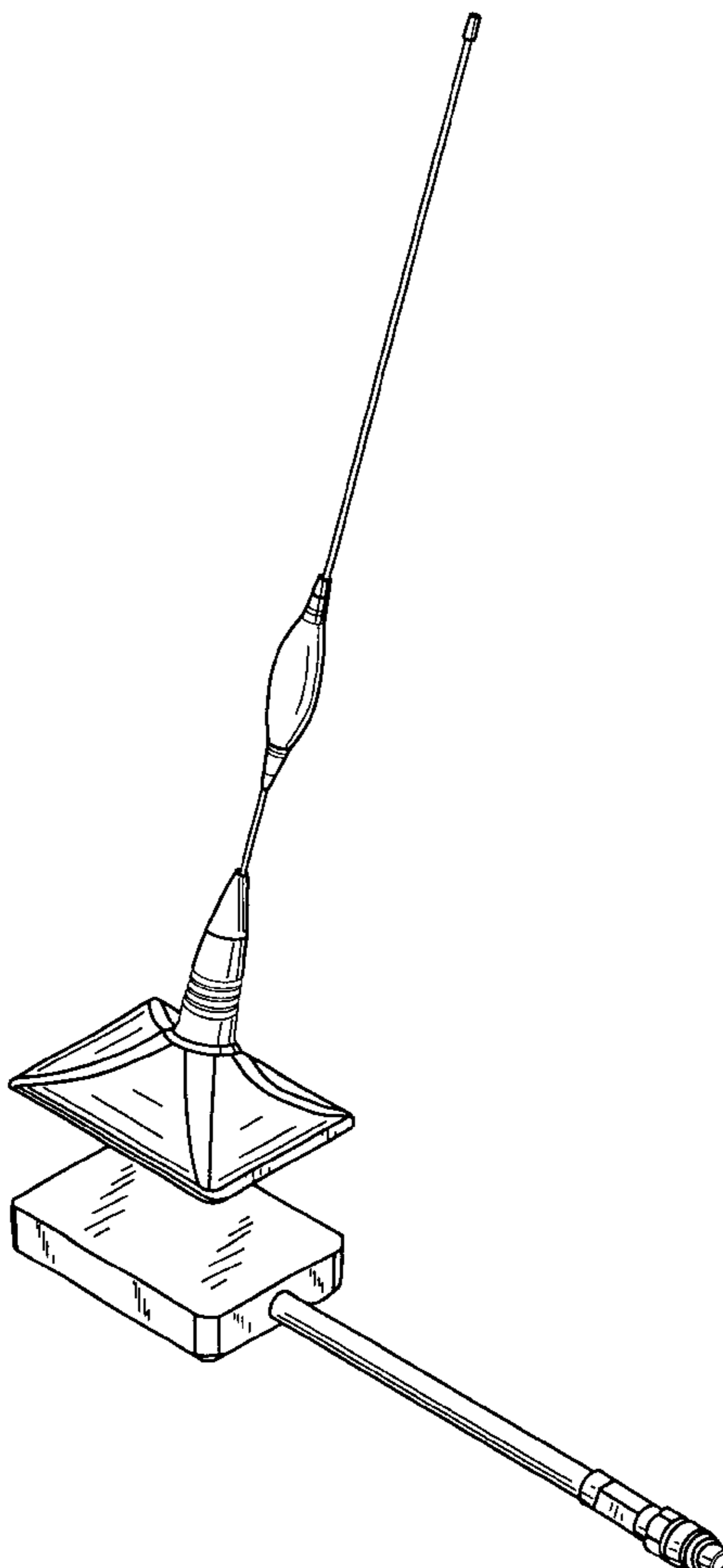


FIG. 1

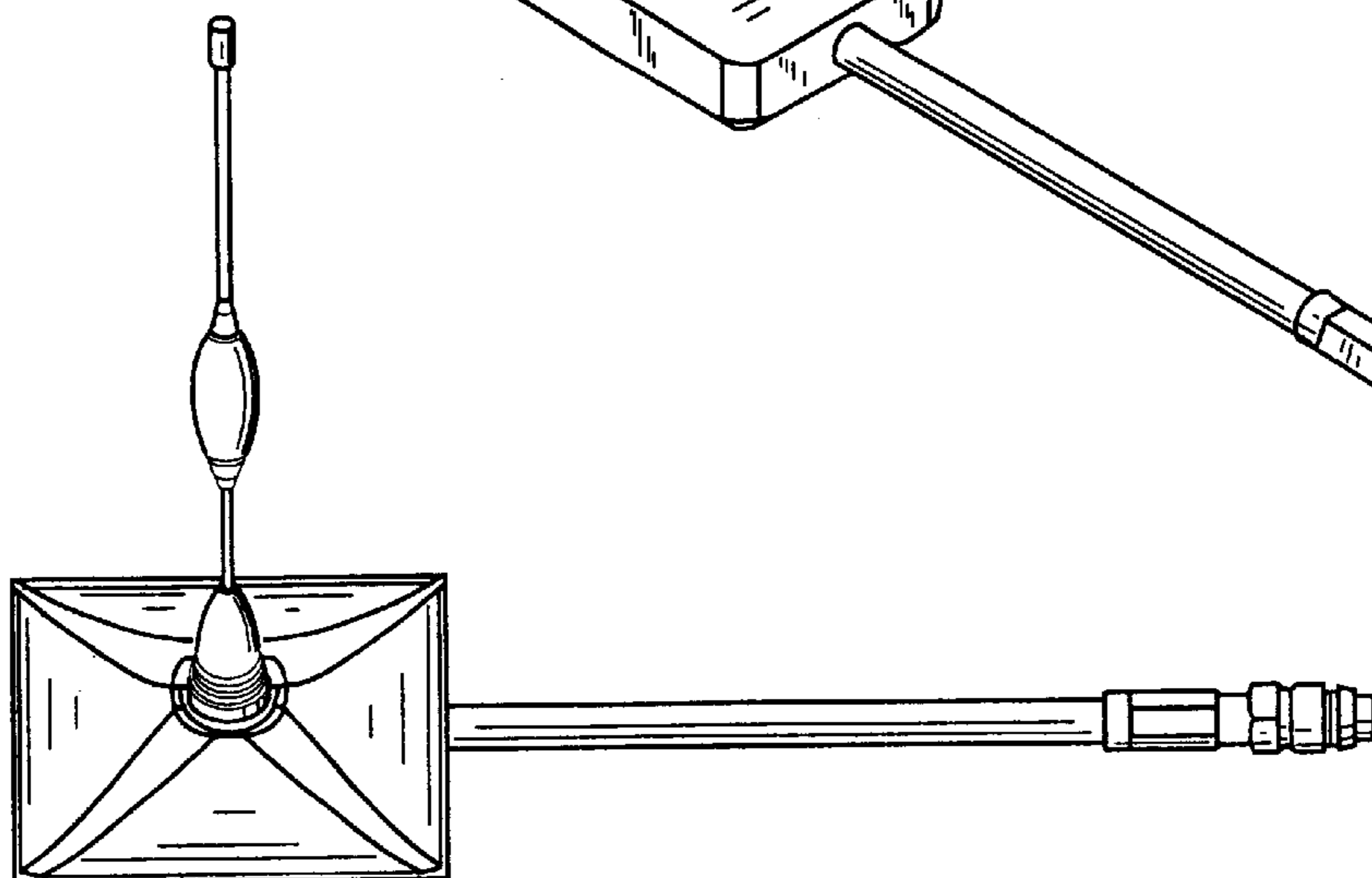
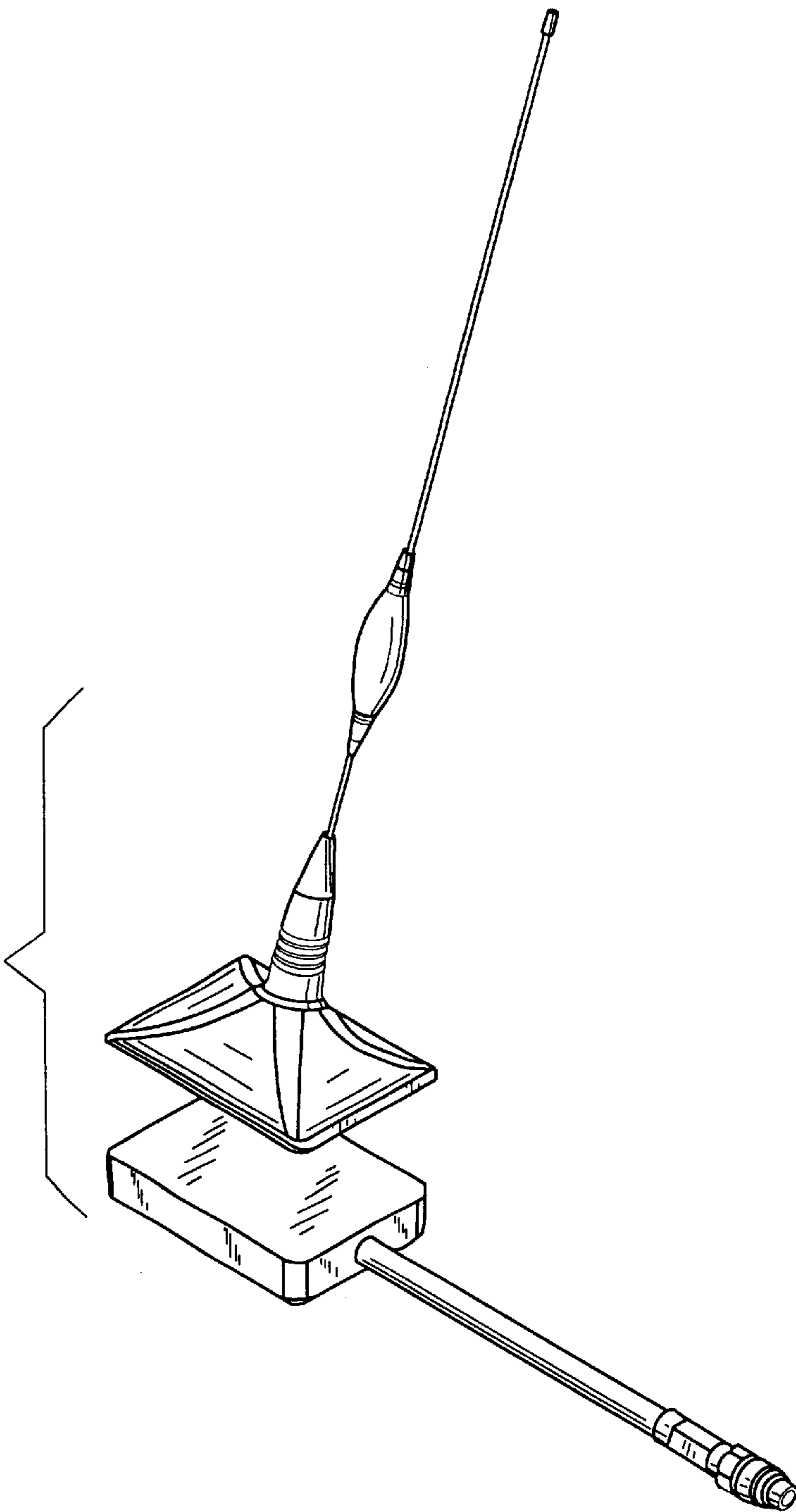
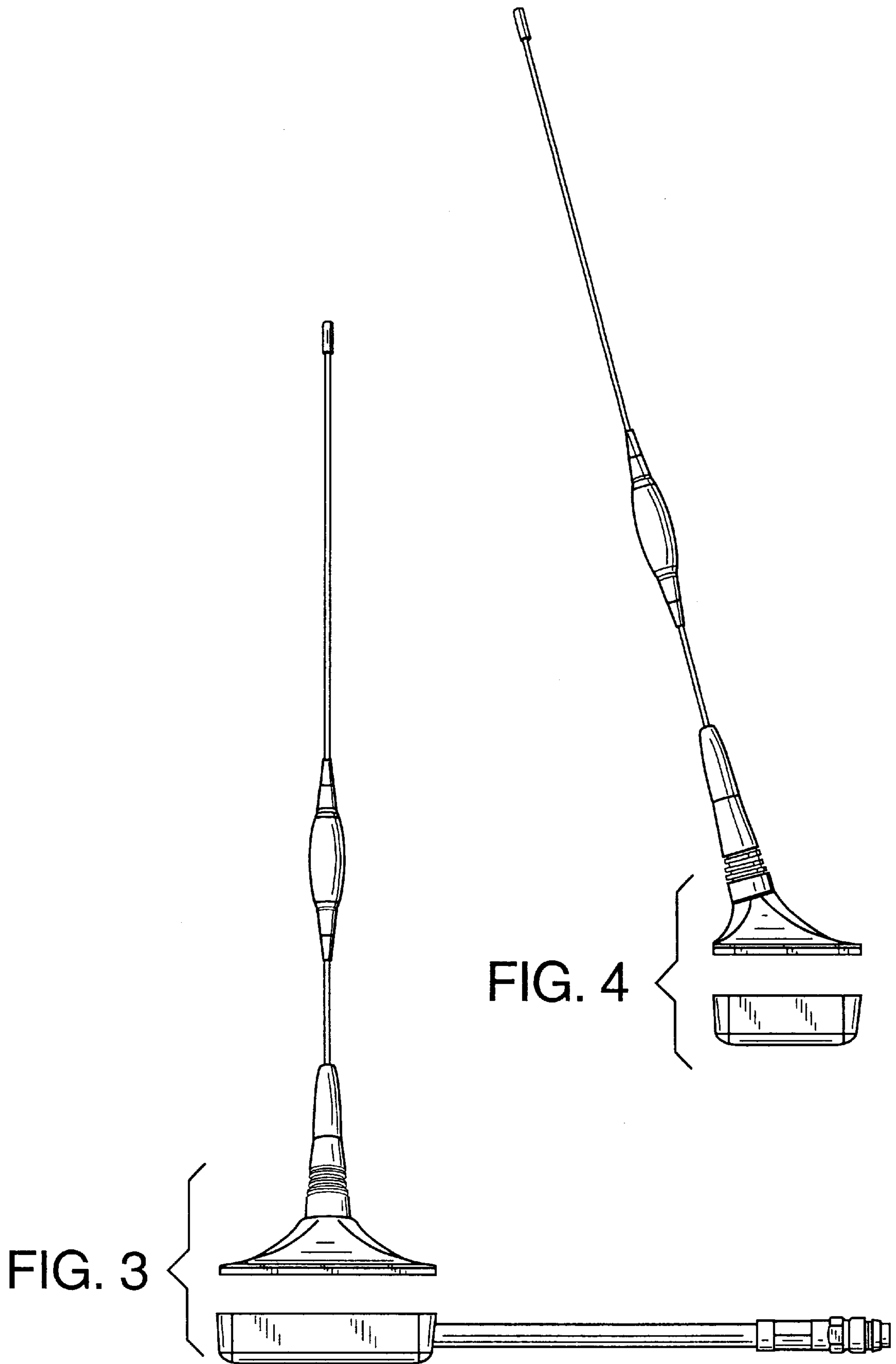


FIG. 2



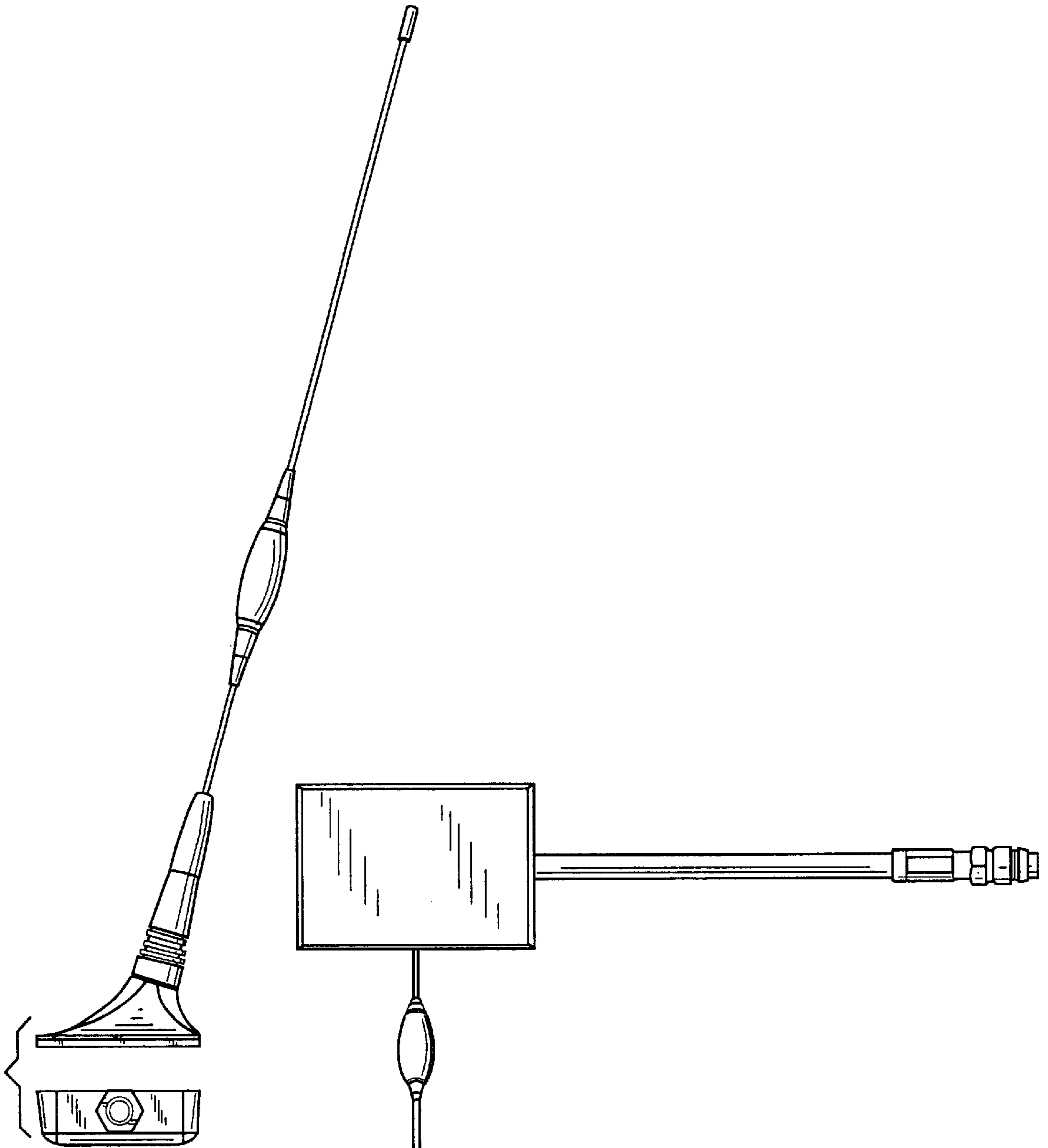


FIG. 5

FIG. 6

