



US00D472543S

(12) **United States Design Patent**  
**Shintani**

(10) **Patent No.:** **US D472,543 S**

(45) **Date of Patent:** **\*\* Apr. 1, 2003**

(54) **SPEAKER BOX**

D364,871 S \* 12/1995 Esslinger ..... D14/213  
D402,660 S \* 12/1998 Swansey ..... D14/216

(75) Inventor: **Eiji Shintani**, Tokyo (JP)

\* cited by examiner

(73) Assignee: **Sony Corporation**, Tokyo (JP)

*Primary Examiner*—Nanda Bondade  
(74) *Attorney, Agent, or Firm*—Rader, Fishman & Grauer  
PLLC

(\*\*) Term: **14 Years**

(21) Appl. No.: **29/158,458**

(57) **CLAIM**

(22) Filed: **Apr. 5, 2002**

The ornamental design for a speaker box, as shown and described.

(51) **LOC (7) Cl.** ..... **14-01**

(52) **U.S. Cl.** ..... **D14/211; D14/216**

(58) **Field of Search** ..... D14/204, 207,  
D14/209–216, 356; 181/144–145, 147–148,  
150, 153, 157, 198–199; 381/300–302,  
306, 333, 345, 361–364, 386–388

**DESCRIPTION**

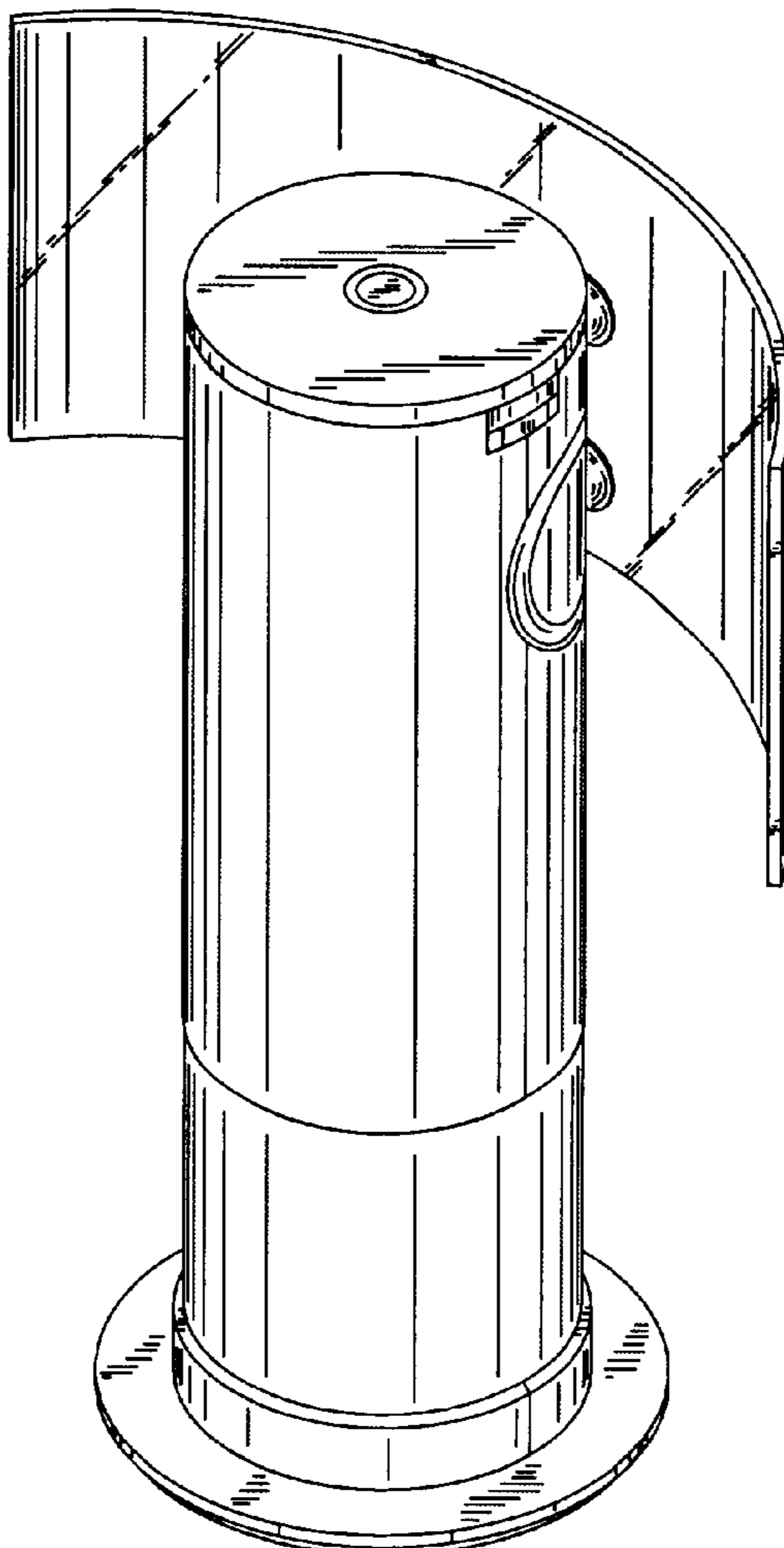
FIG. 1 is a perspective view of a speaker box showing my new design;  
FIG. 2 is a front elevational view thereof;  
FIG. 3 is a rear elevational view thereof;  
FIG. 4 is a left side elevational view thereof;  
FIG. 5 is a right side elevational view thereof;  
FIG. 6 is a top plan view thereof; and,  
FIG. 7 is a bottom plan view thereof.

(56) **References Cited**

**U.S. PATENT DOCUMENTS**

4,580,654 A \* 4/1986 Hale ..... 181/146  
D334,193 S \* 3/1993 Jewitt et al. .... D14/213  
D362,441 S \* 9/1995 Mark ..... D14/216

**1 Claim, 4 Drawing Sheets**



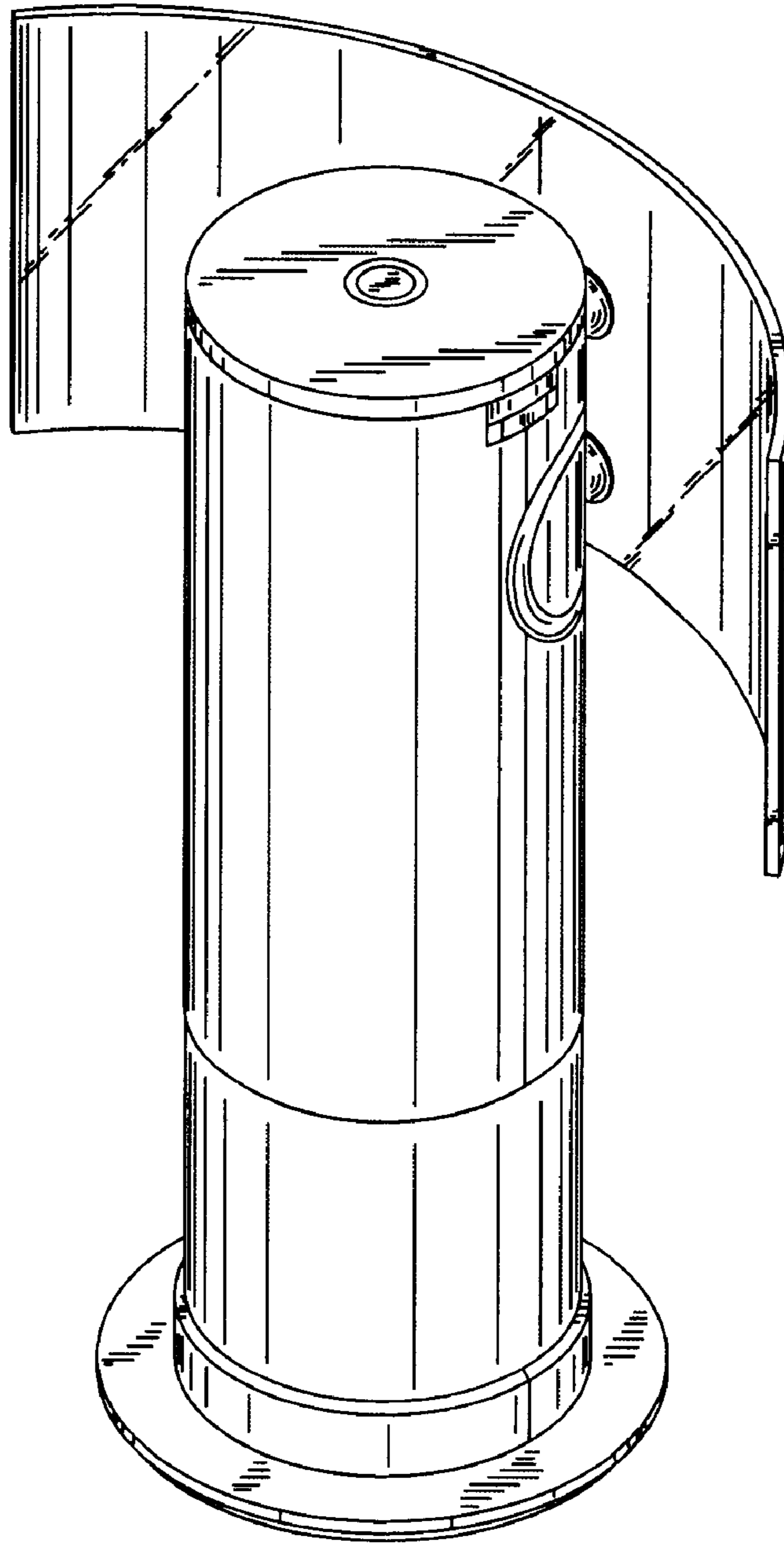
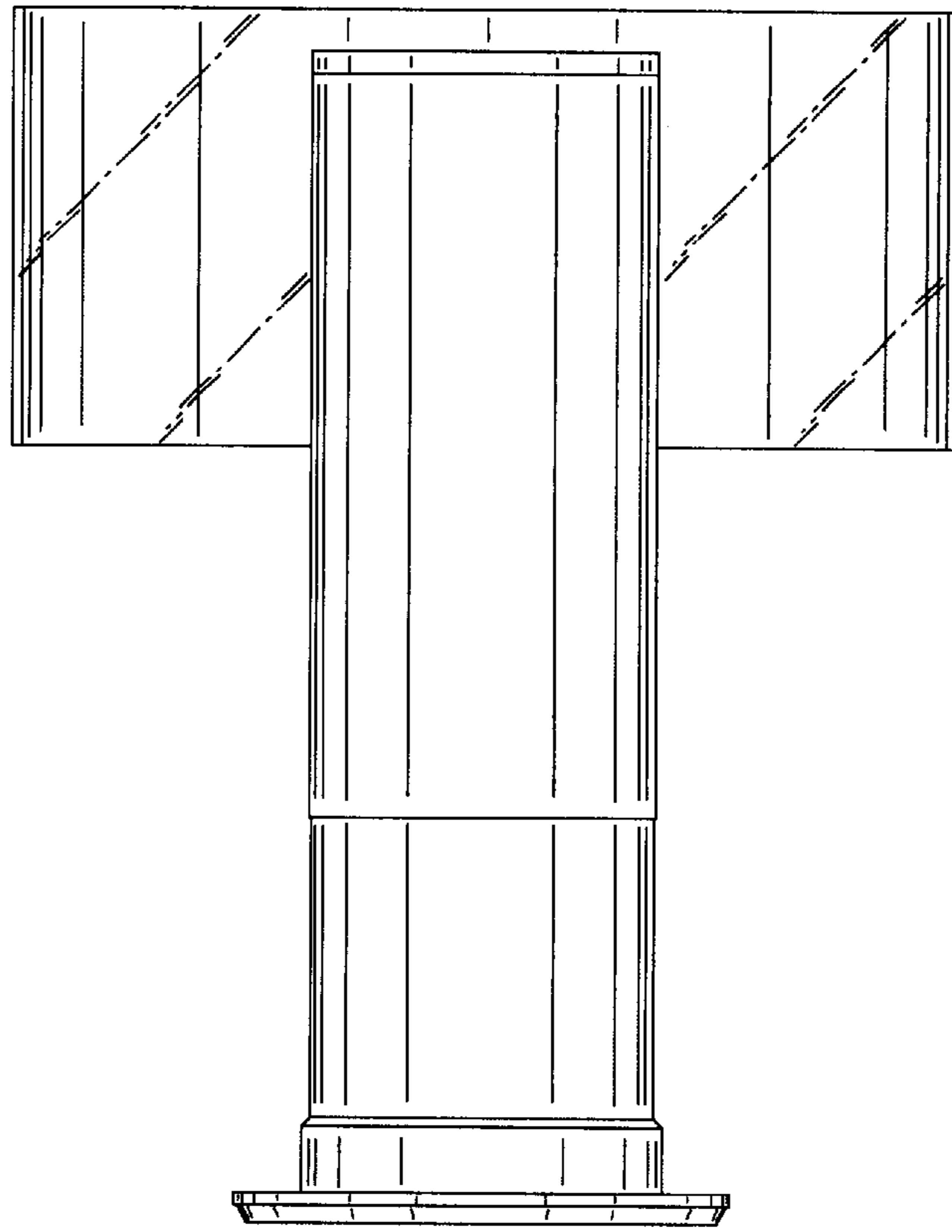
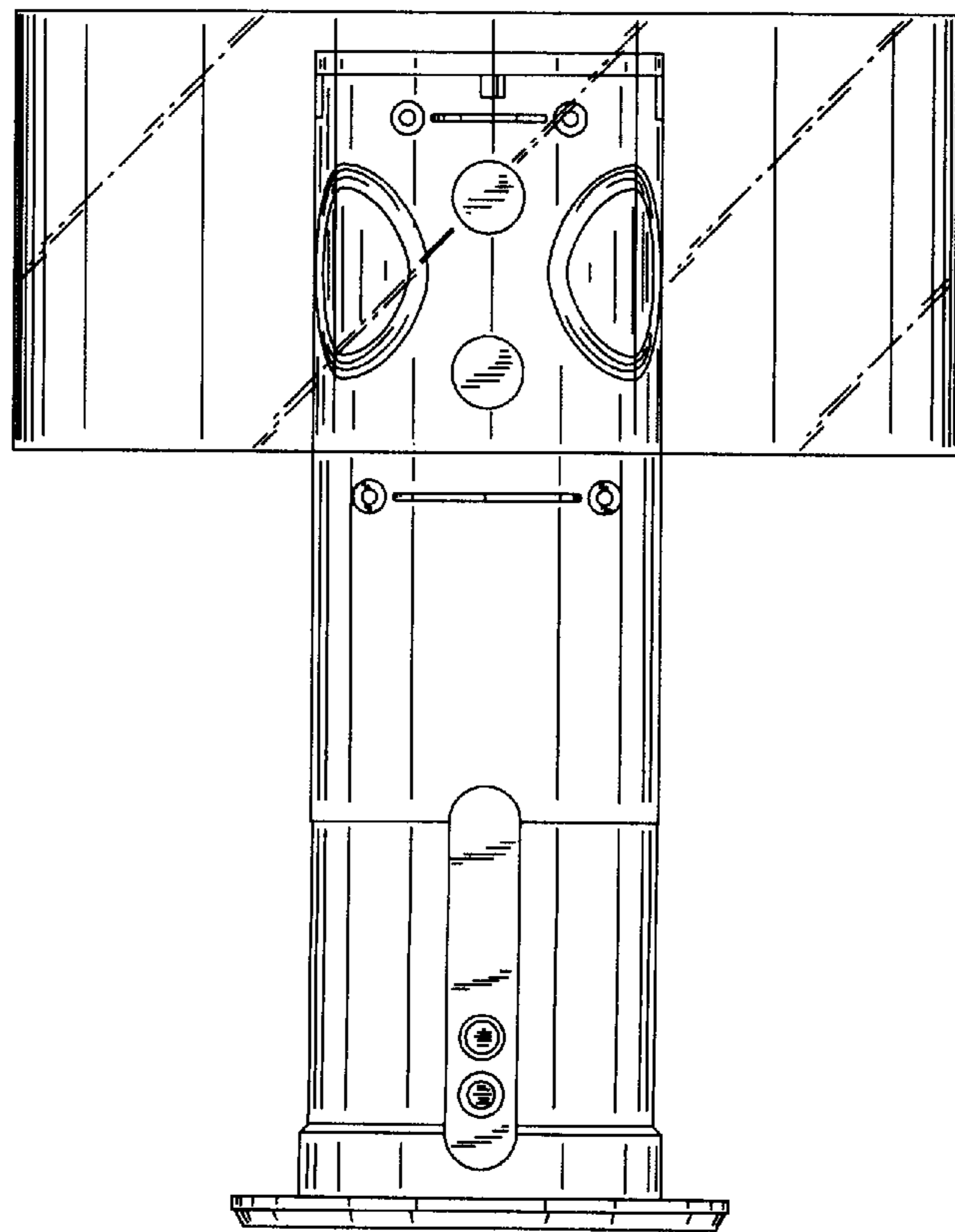


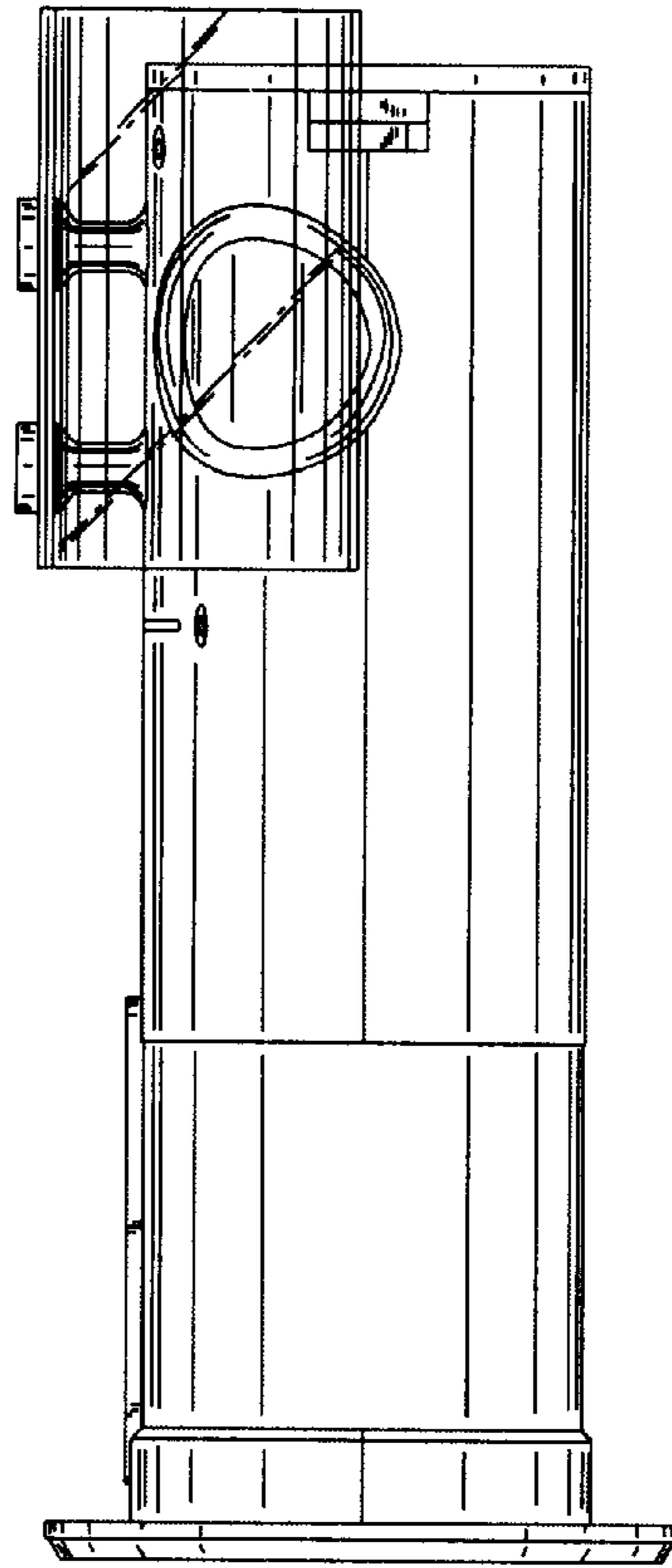
Fig. 1



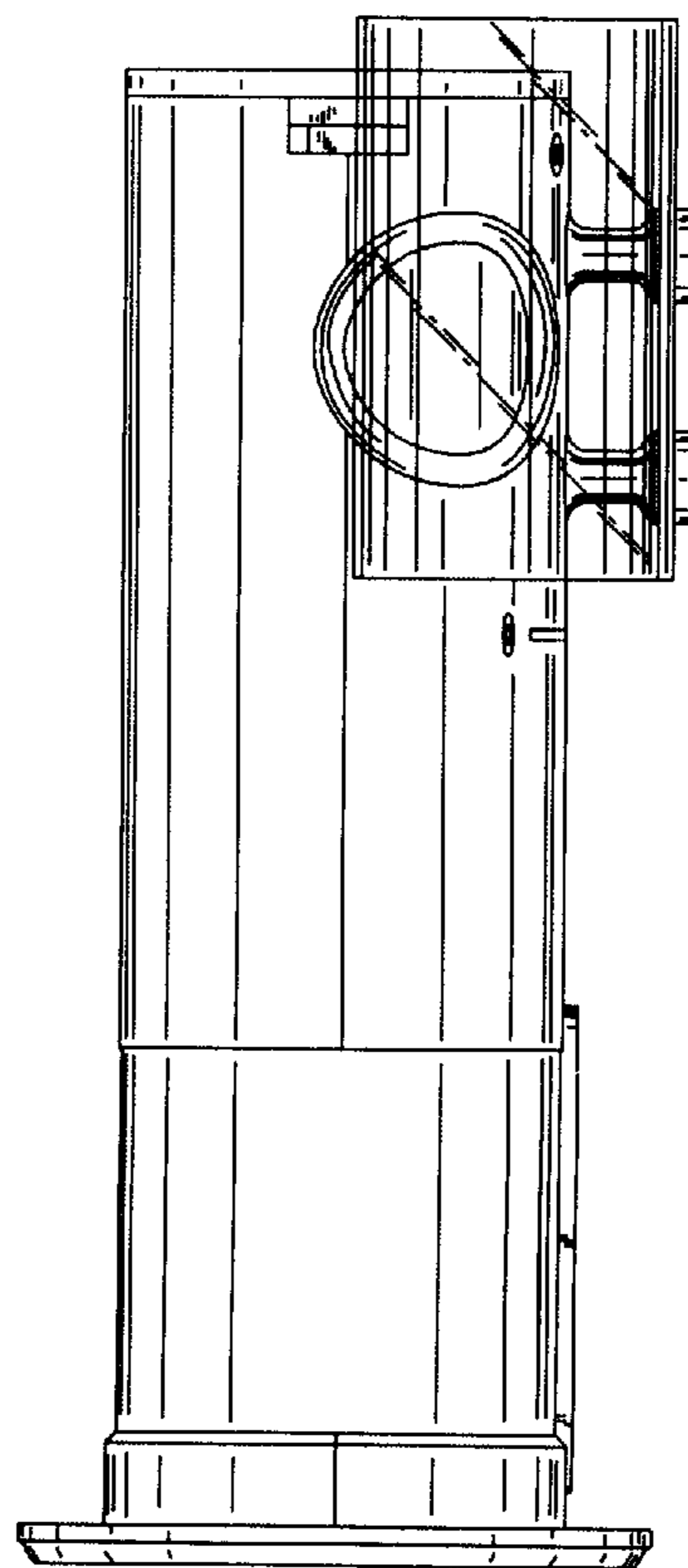
**Fig. 2**



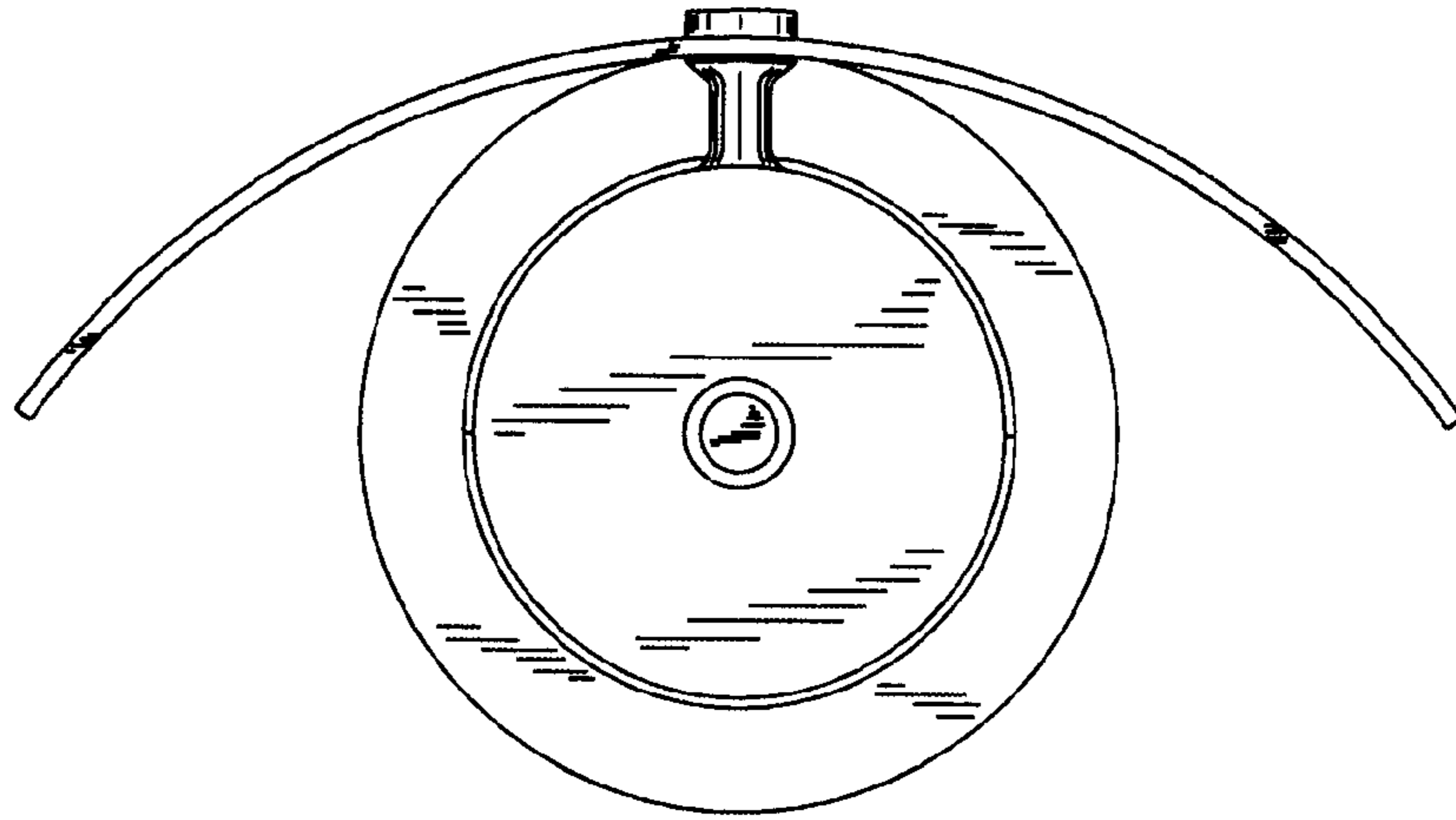
**Fig. 3**



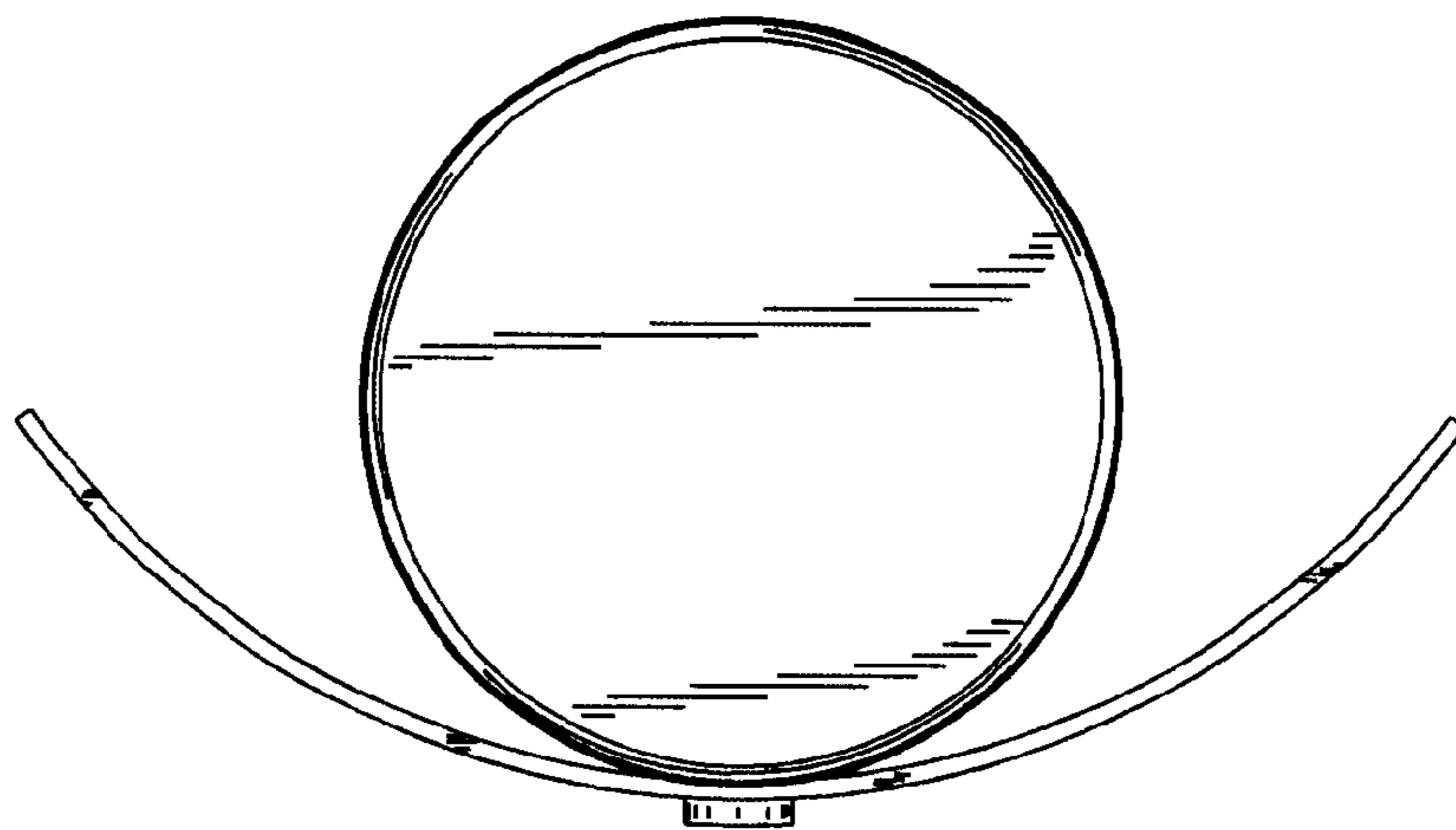
**Fig. 4**



**Fig. 5**



**Fig. 6**



**Fig. 7**