



US00D472542S

(12) **United States Design Patent**  
**Oikawa**

(10) **Patent No.:** **US D472,542 S**

(45) **Date of Patent:** **\*\* Apr. 1, 2003**

(54) **COMBINED SPEAKER BOX AND  
RECORDER/PLAYER**

(75) Inventor: **Yuji Oikawa**, Tokyo (JP)

(73) Assignee: **Sony Corporation**, Tokyo (JP)

(\*\*) Term: **14 Years**

(21) Appl. No.: **29/157,860**

(22) Filed: **Mar. 28, 2002**

(51) **LOC (7) Cl.** ..... **14-01**

(52) **U.S. Cl.** ..... **D14/172; D14/214**

(58) **Field of Search** ..... D14/160-165,  
D14/167-168, 172, 204, 207, 209-216,  
356; 181/144-145, 147-148, 150, 153,  
157, 198-199; 381/300-302, 306, 333,  
345, 361-364, 386-388

(56) **References Cited**

**U.S. PATENT DOCUMENTS**

- 4,582,162 A \* 4/1986 Katsuno ..... 181/141
- 4,942,939 A \* 7/1990 Harrison ..... 181/145
- D369,356 S \* 4/1996 Olson ..... D14/214

- D372,918 S \* 8/1996 Manganese et al. .... D14/204
- D416,900 S 11/1999 Yamada
- D418,138 S \* 12/1999 Miyazaki ..... D14/214
- D430,550 S 9/2000 Nakajima et al.
- D442,574 S 5/2001 Ishii

\* cited by examiner

*Primary Examiner*—Nanda Bondade

(74) *Attorney, Agent, or Firm*—Rader, Fishman & Grauer  
PLLC

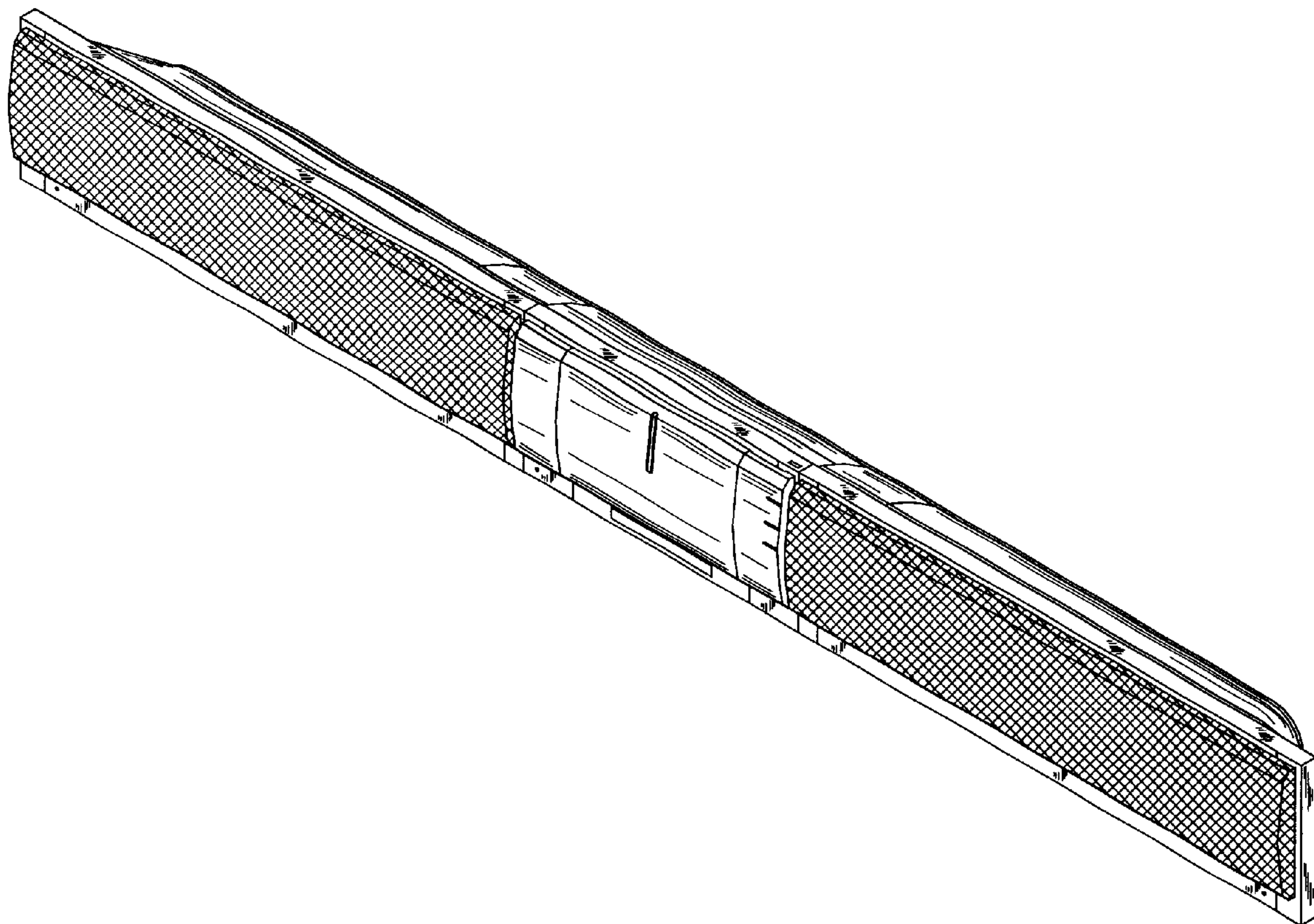
(57) **CLAIM**

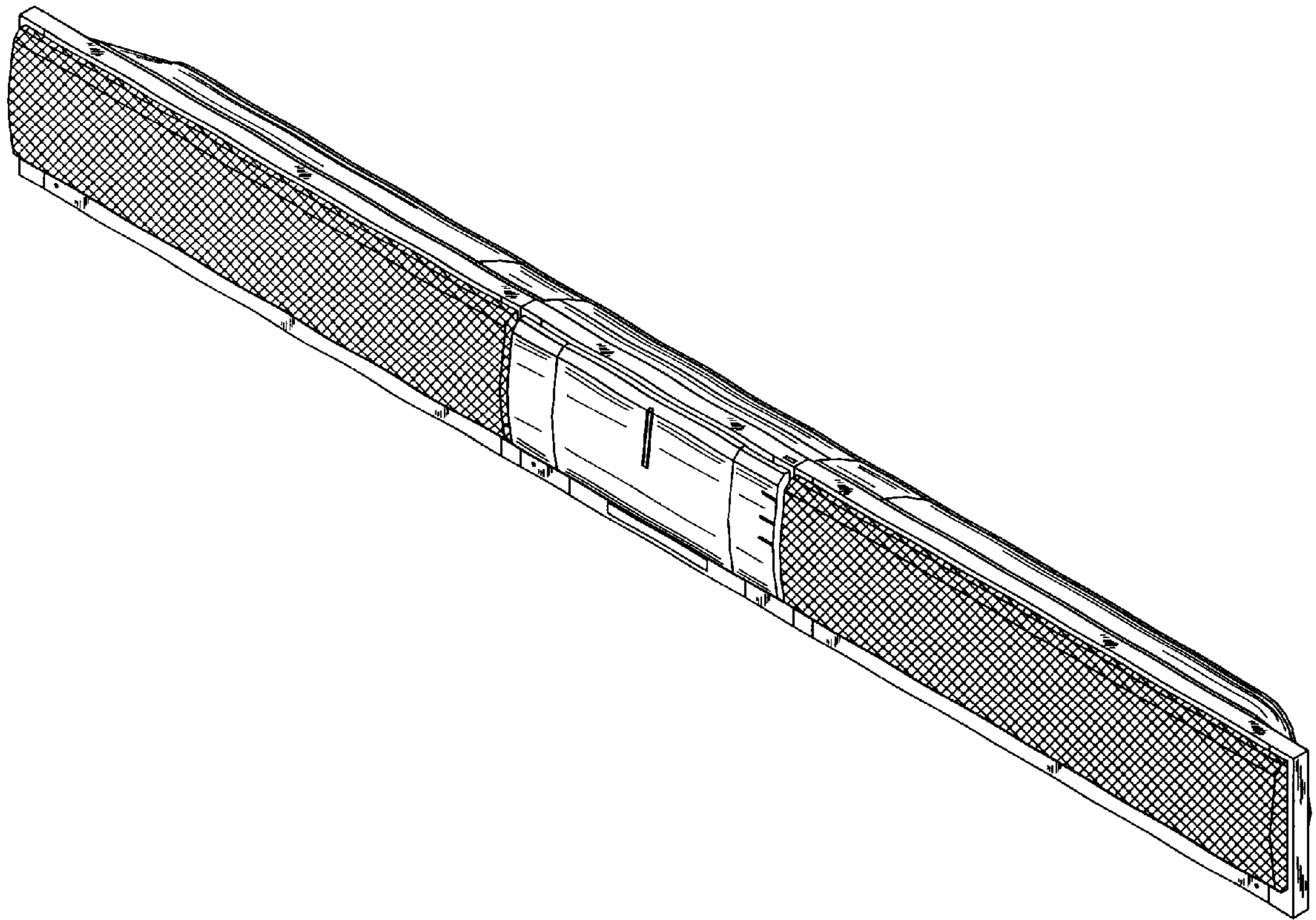
The ornamental design for a combined speaker box and recorder/player, as shown and described.

**DESCRIPTION**

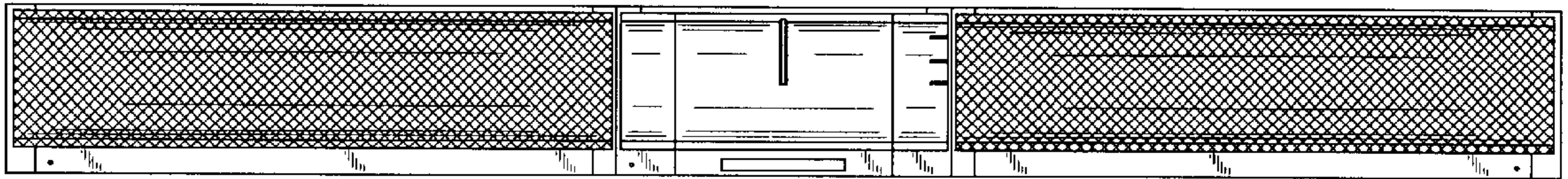
FIG. 1 is a perspective view of a combined speaker box and recorder/player showing my new design;  
FIG. 2 is a front elevational view thereof;  
FIG. 3 is a rear elevational view thereof;  
FIG. 4 is a left side elevational view thereof;  
FIG. 5 is a right side elevational view thereof;  
FIG. 6 is a top plan view thereof; and,  
FIG. 7 is a bottom plan view thereof.

**1 Claim, 4 Drawing Sheets**

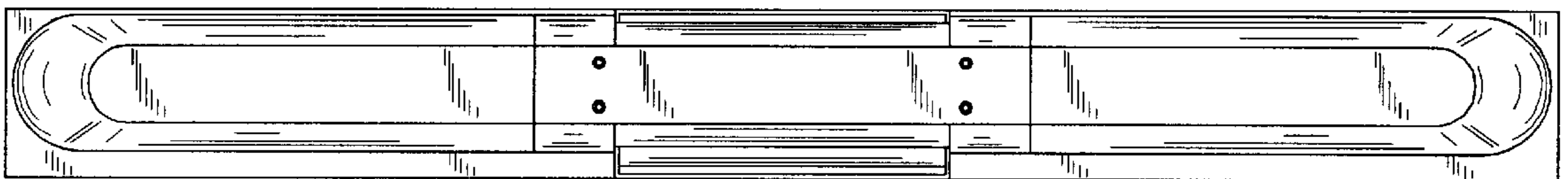




**Fig. 1**

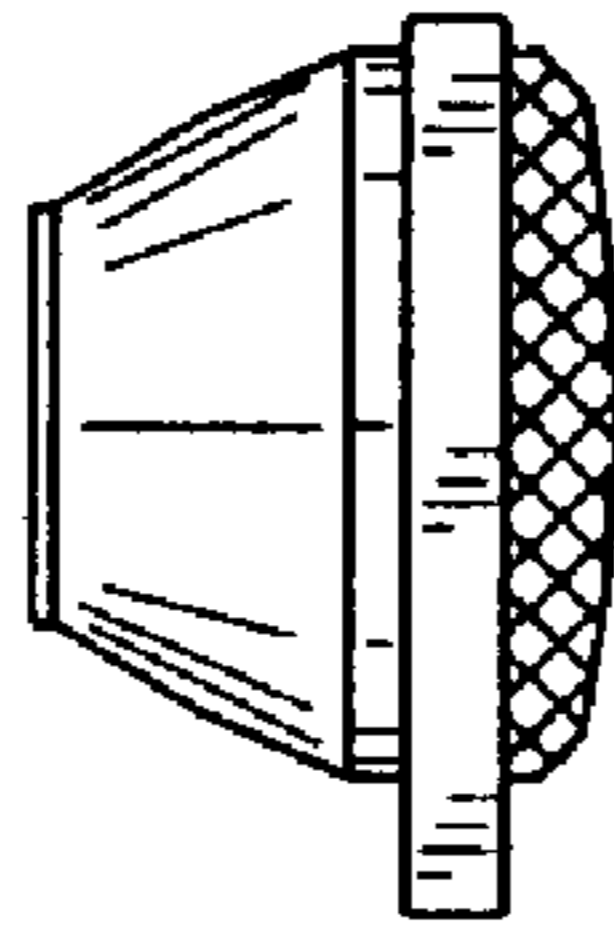


**Fig. 2**

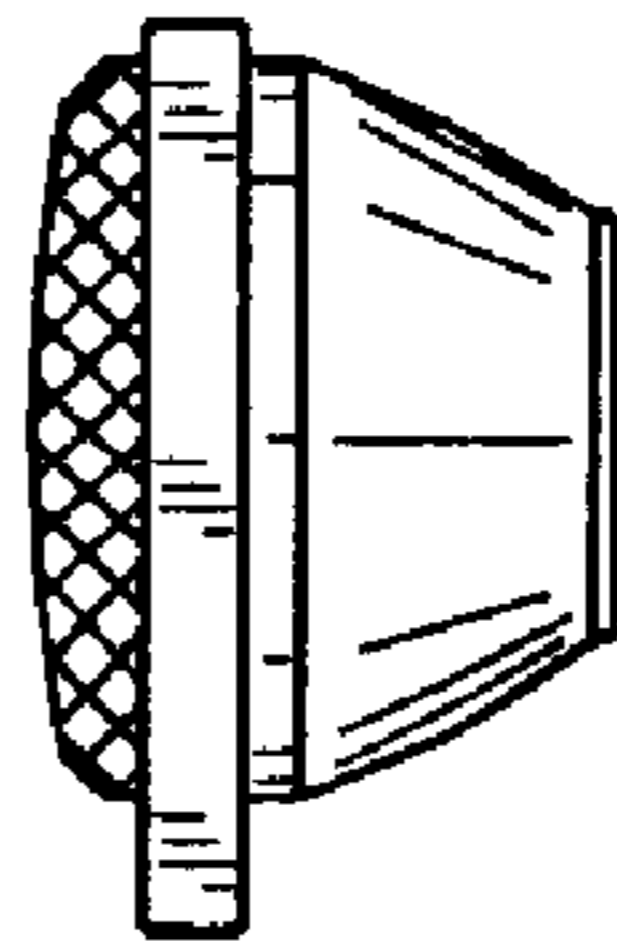


**Fig. 3**





**Fig. 4**



**Fig. 5**

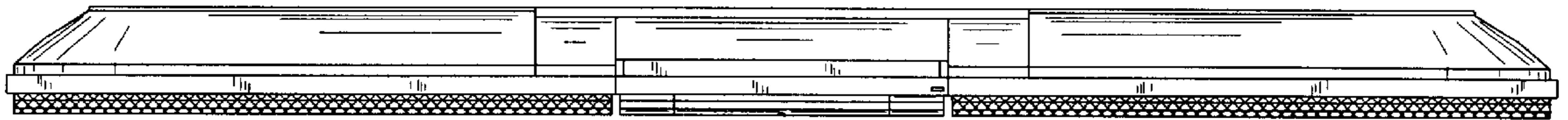


Fig. 6

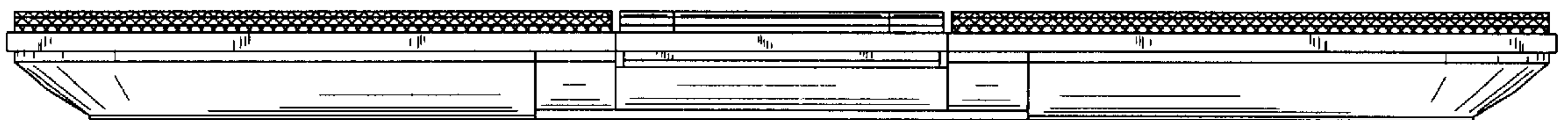


Fig. 7