



US00D472538S

(12) **United States Design Patent**
Chan

(10) **Patent No.:** **US D472,538 S**

(45) **Date of Patent:** **** Apr. 1, 2003**

(54) **TELEPHONE BASE**

(75) **Inventor:** **Joseph Chan, Sai Kung (HK)**

(73) **Assignee:** **VTech Communications, Ltd., Tai Po (HK)**

(**) **Term:** **14 Years**

(21) **Appl. No.:** **29/153,387**

(22) **Filed:** **Jan. 7, 2002**

Related U.S. Application Data

(62) Division of application No. 29/125,777, filed on Jun. 20, 2000, now Pat. No. Des. 460,059.

(51) **LOC (7) Cl.** **14-03**

(52) **U.S. Cl.** **D14/149; D14/253**

(58) **Field of Search** D14/137, 434, D14/138, 447, 148, 147, 149-151, 140-142, 240, 241, 251, 253, 248, 451, 218; 379/426, 449, 419, 420.01-420.04, 428.01-428.04, 440, 454, 455, 433.01-433.13, 446, 434; 455/550-575, 90; D13/107, 108; 320/110, 113, 114, 115; D3/218

(56) **References Cited**

U.S. PATENT DOCUMENTS

3,644,873	A	*	2/1972	Dalton et al.	439/299
D272,064	S	*	1/1984	Coons et al.	D14/148
D301,456	S	*	6/1989	Siddoway	D13/107
4,979,205	A	*	12/1990	Haraguchi et al.	455/411
D327,060	S	*	6/1992	Wachob et al.	D14/138
D335,494	S	*	5/1993	Roegner	D14/138
D335,878	S	*	5/1993	Roegner	D14/138
D363,717	S	*	10/1995	Solomita	D14/149
5,479,486	A	*	12/1995	Saji	455/573
D368,892	S	*	4/1996	Tanaka	D13/108

D369,344	S	*	4/1996	Lindeman et al.	D13/108
D373,124	S	*	8/1996	Behar et al.	D14/148
D380,752	S	*	7/1997	Hanson	D14/144
D385,558	S	*	10/1997	Liu	D14/148
D401,579	S	*	11/1998	Benjamin et al.	D14/149
D406,840	S	*	3/1999	Mavrakis et al.	D14/149
D407,685	S	*	4/1999	Lohrding et al.	D13/107
5,946,637	A	*	8/1999	Umbach et al.	455/573
D414,490	S	*	9/1999	Heinen et al.	D14/148
6,044,281	A	*	3/2000	Shirai	455/573
D422,556	S	*	4/2000	Okura et al.	D13/107
D426,808	S	*	6/2000	Hsiao	D13/107
6,130,521	A	*	10/2000	Collins et al.	320/115
D433,991	S	*	11/2000	Buchin et al.	D13/108
D436,576	S	*	1/2001	Hermann et al.	D13/107
D451,498	S	*	12/2001	Rossel	D14/218
D460,059	S	*	7/2002	Chan	D14/147
D460,446	S	*	7/2002	Hughes et al.	D14/253
6,438,229	B1	*	8/2002	Overy et al.	379/446

* cited by examiner

Primary Examiner—Jeffrey Asch

(74) *Attorney, Agent, or Firm*—Greenberg Traurig, P.C.

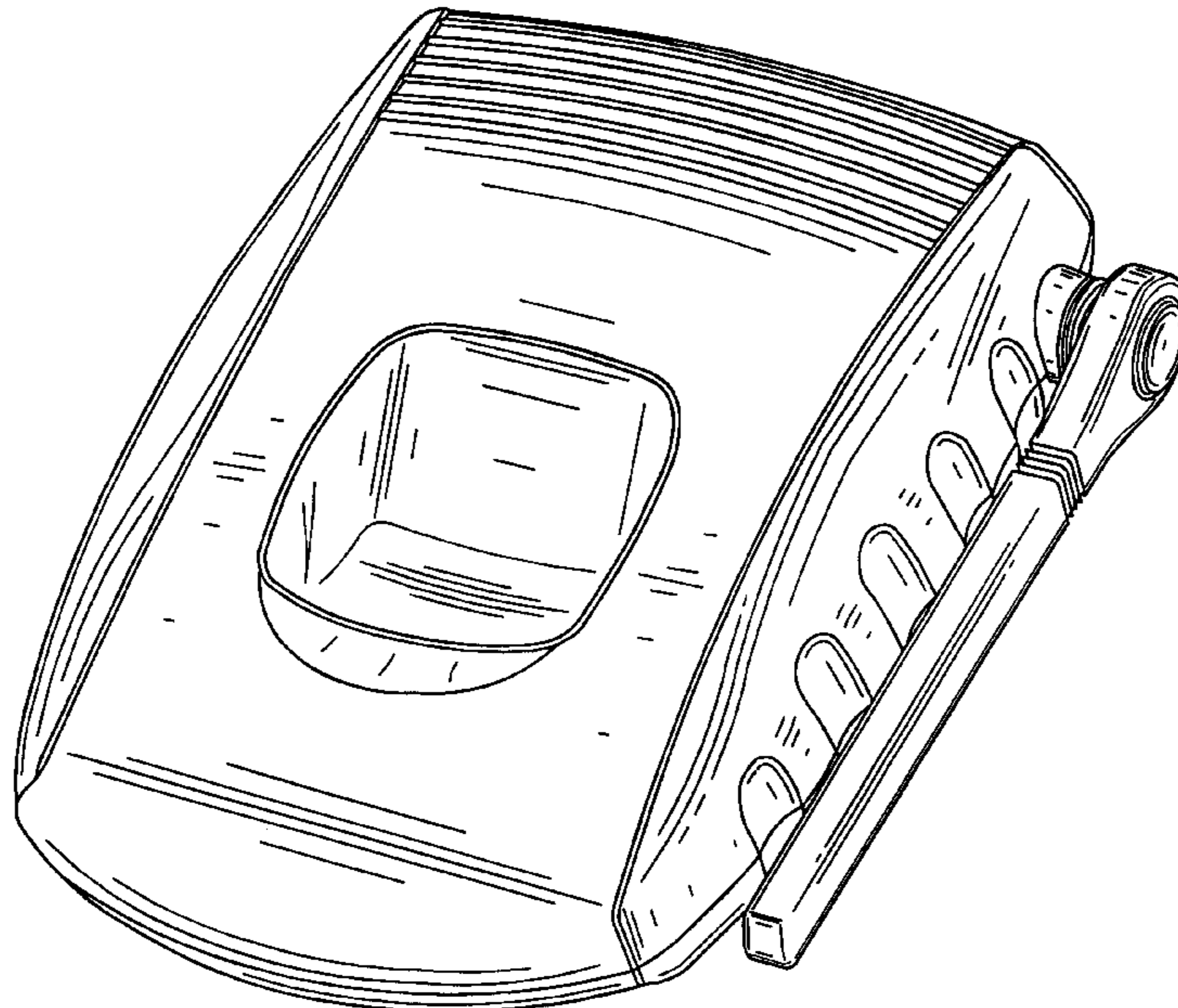
(57) **CLAIM**

The ornamental designs for a telephone base, as shown and described.

DESCRIPTION

FIG. 1 is a perspective view of the telephone base, showing our new ornamental design;
FIG. 2 is a top elevation thereof;
FIG. 3 is a bottom elevation thereof;
FIG. 4 is a left side elevation thereof;
FIG. 5 is a right side elevation thereof;
FIG. 6 is a front elevation thereof; and,
FIG. 7 is a rear elevation thereof.

1 Claim, 5 Drawing Sheets



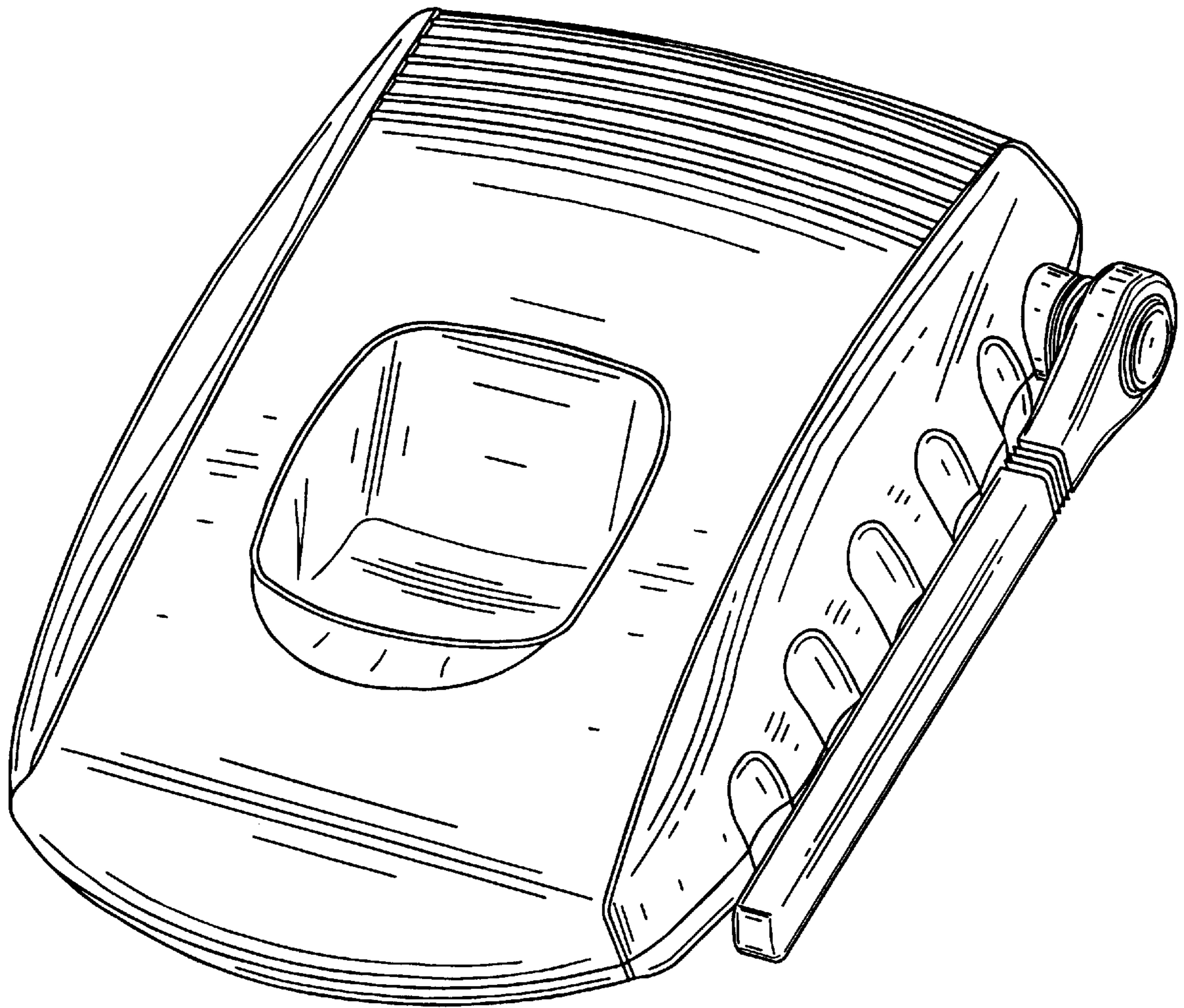


FIG. 1

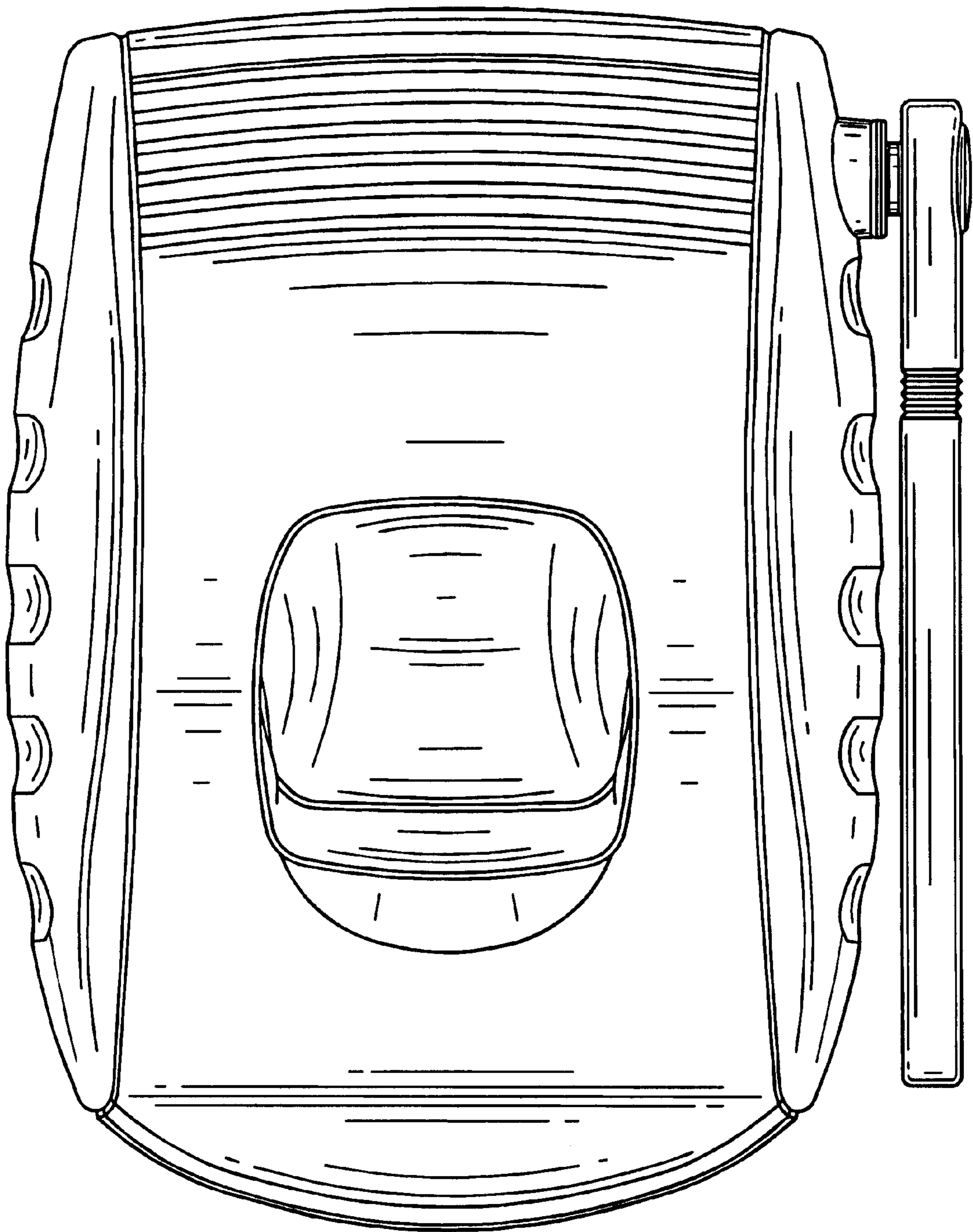


FIG. 2

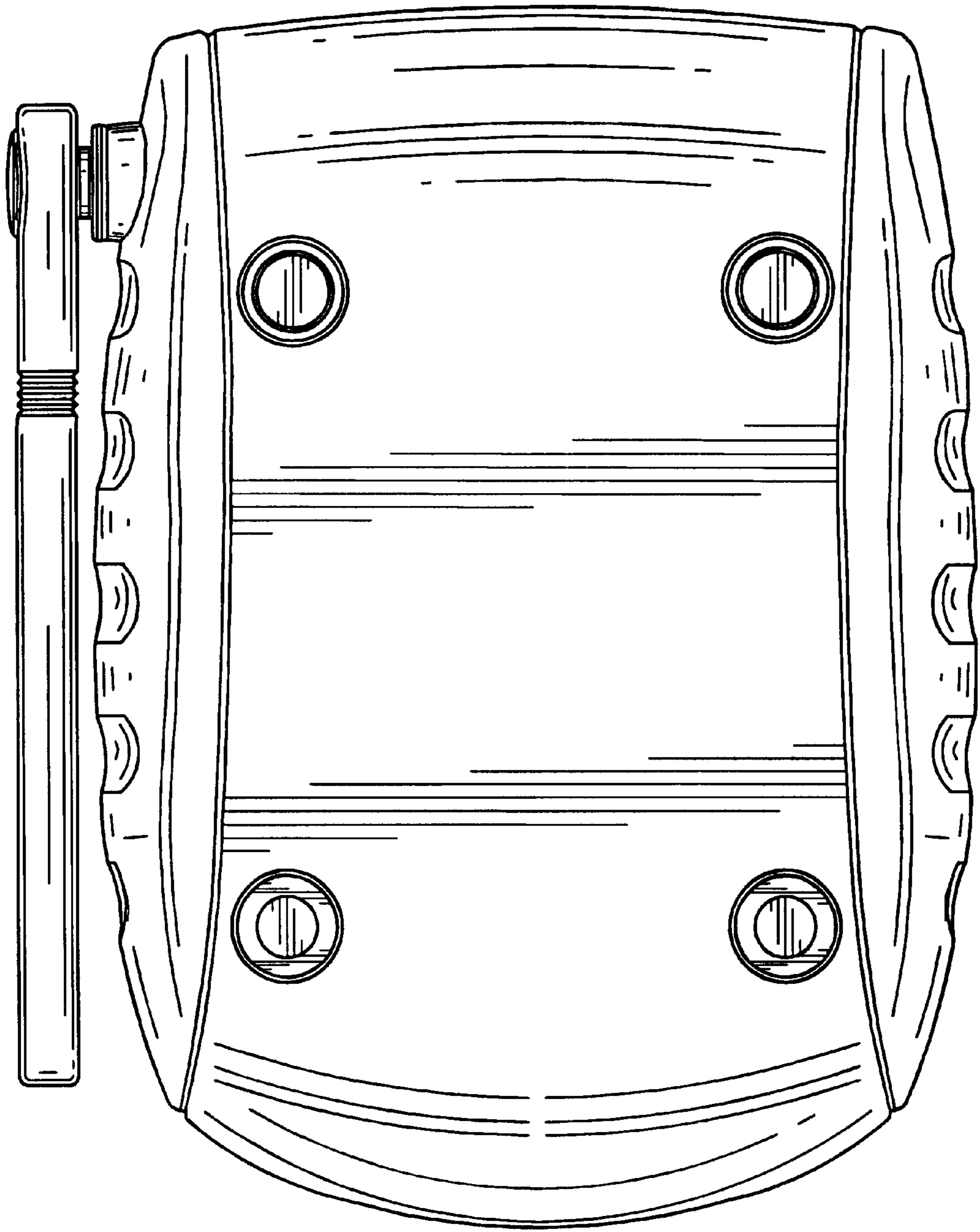


FIG. 3

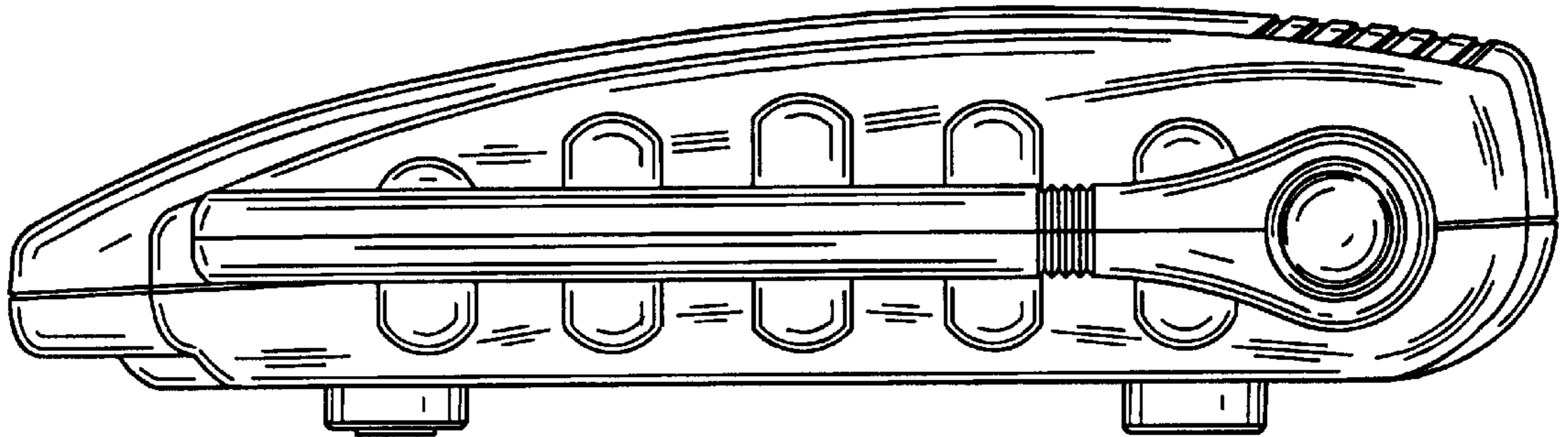


FIG. 4

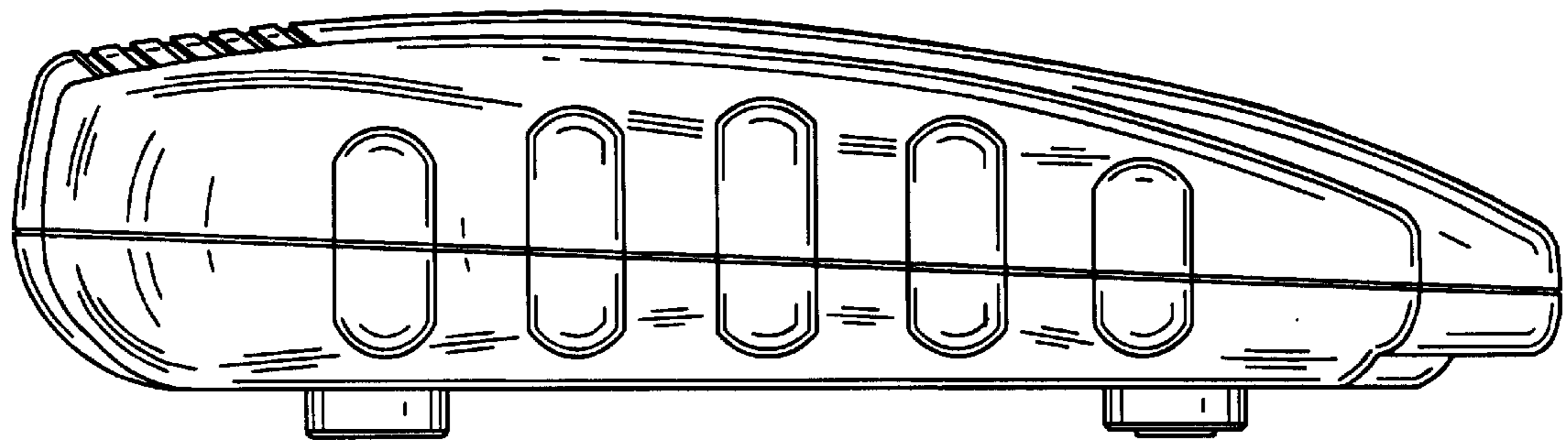


FIG. 5

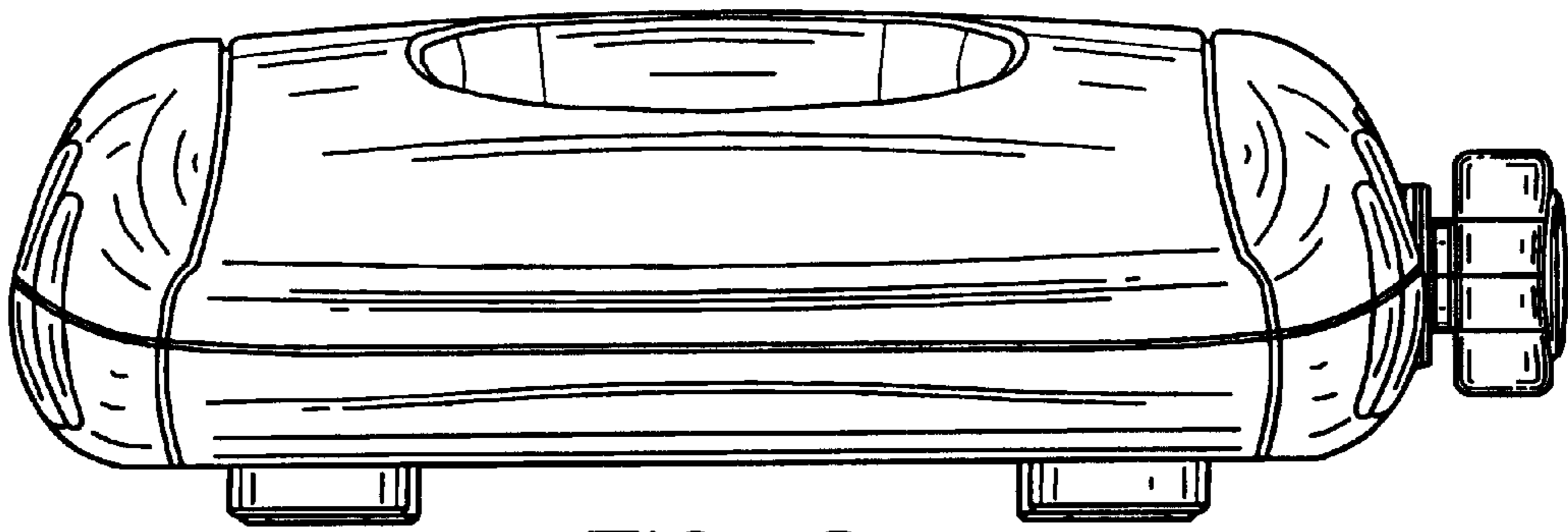


FIG. 6

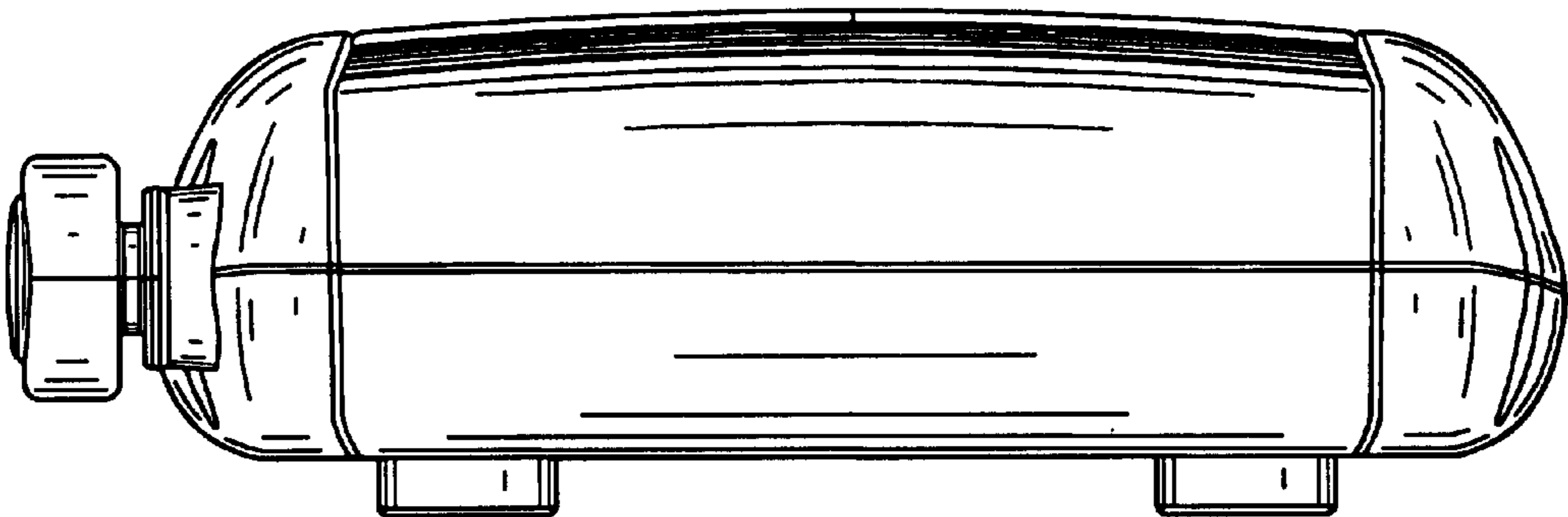


FIG. 7