



US00D472532S

(12) **United States Design Patent**
Niitsu

(10) **Patent No.:** **US D472,532 S**

(45) **Date of Patent:** **** Apr. 1, 2003**

(54) **TELEVISION RECEIVER**

(75) Inventor: **Takuya Niitsu**, Tokyo (JP)

(73) Assignee: **Sony Corporation**, Tokyo (JP)

(**) Term: **14 Years**

(21) Appl. No.: **29/158,681**

(22) Filed: **Apr. 9, 2002**

(51) **LOC (7) Cl.** **14-03**

(52) **U.S. Cl.** **D14/126**

(58) **Field of Search** D14/126-134,
D14/371, 374, 375, 239; 312/7.2; 348/836,
838

Home page, "SHARP, AQUOS, <http://www.sharp.co.jp/sc/excite/,mebiuslink/index.html>", p. 61, Yodhobashi Camera.

* cited by examiner

Primary Examiner—Raphael Barkai

(74) *Attorney, Agent, or Firm*—Rader, Fishman & Grauer PLLC

(57) **CLAIM**

The ornamental design for a television receiver, as shown and described.

DESCRIPTION

FIG. 1 is a perspective view of a television receiver showing my new design;

FIG. 2 is a front elevational view thereof;

FIG. 3 is a rear elevational view thereof;

FIG. 4 is a left side elevational view thereof;

FIG. 5 is a right side elevational view thereof;

FIG. 6 is a top plan view thereof; and,

FIG. 7 is a bottom plan view thereof.

(56) **References Cited**

U.S. PATENT DOCUMENTS

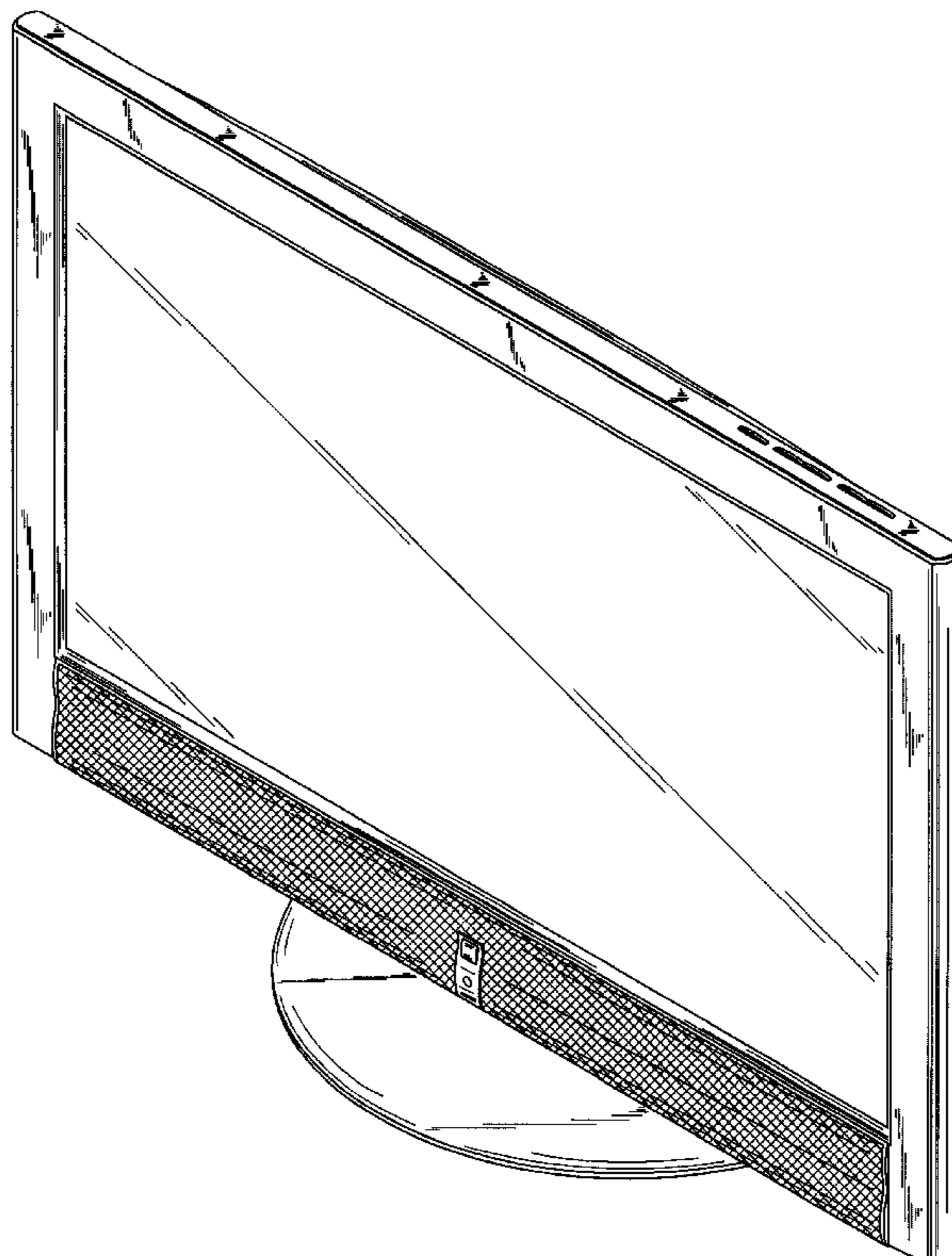
D380,213 S	6/1997	Morimiya	
D412,891 S	8/1999	Sumii	
D427,169 S	* 6/2000	Saeki et al.	D14/126
D432,102 S	10/2000	Arie	
D453,022 S	1/2002	Oba	
D457,864 S	* 5/2002	Bong et al.	D14/126
D460,425 S	* 7/2002	Joe	D14/126

OTHER PUBLICATIONS

Catalog, "Sony FD Trinitron, FDL-1500MX1", p. 26, Sony Corporation (Feb. 2001).

Catalog, "Sony HD 700 Series Trinitron, KZ-42HS500", 3 sheets, Sony Corporation (Jul. 2001).

1 Claim, 5 Drawing Sheets



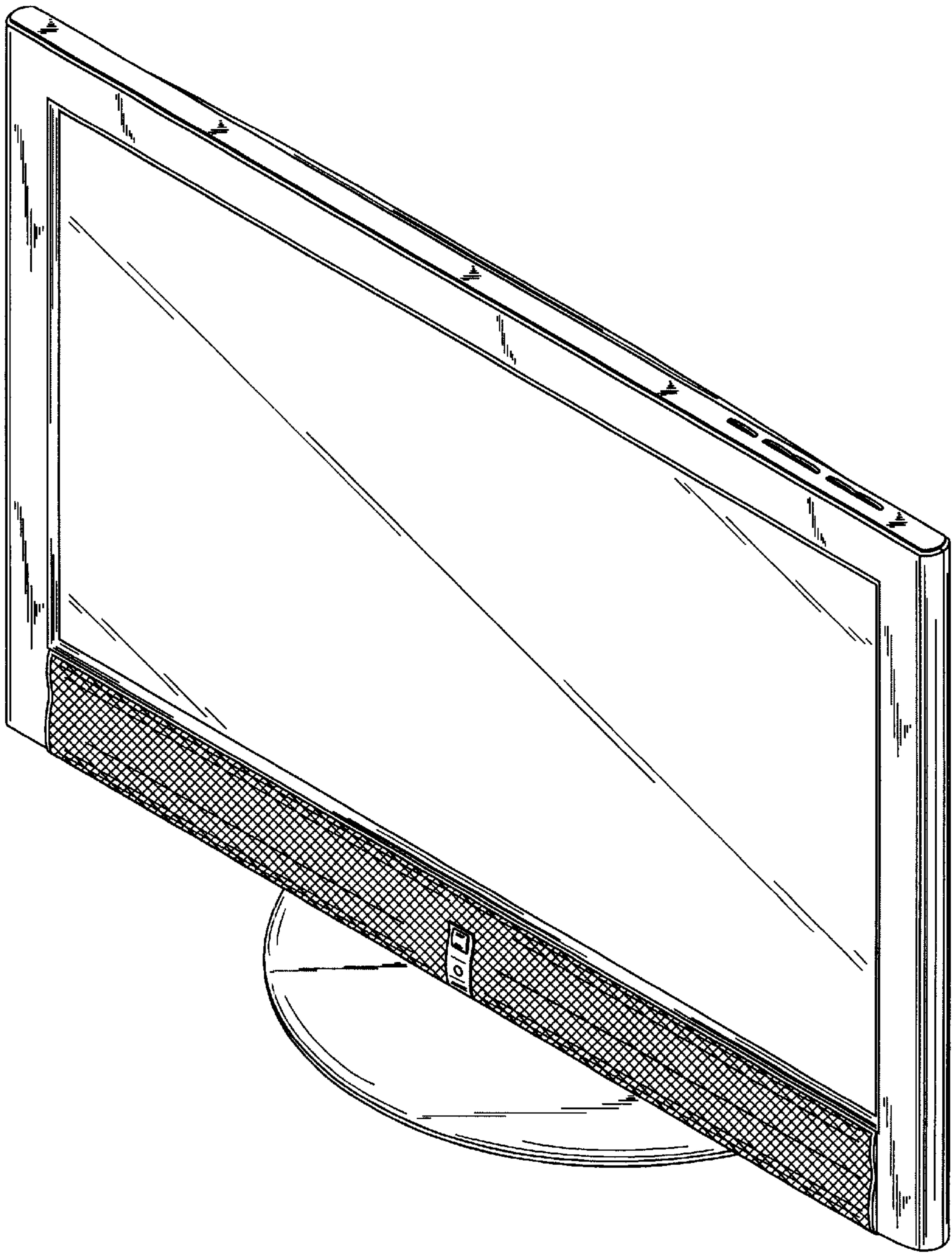


Fig. 1

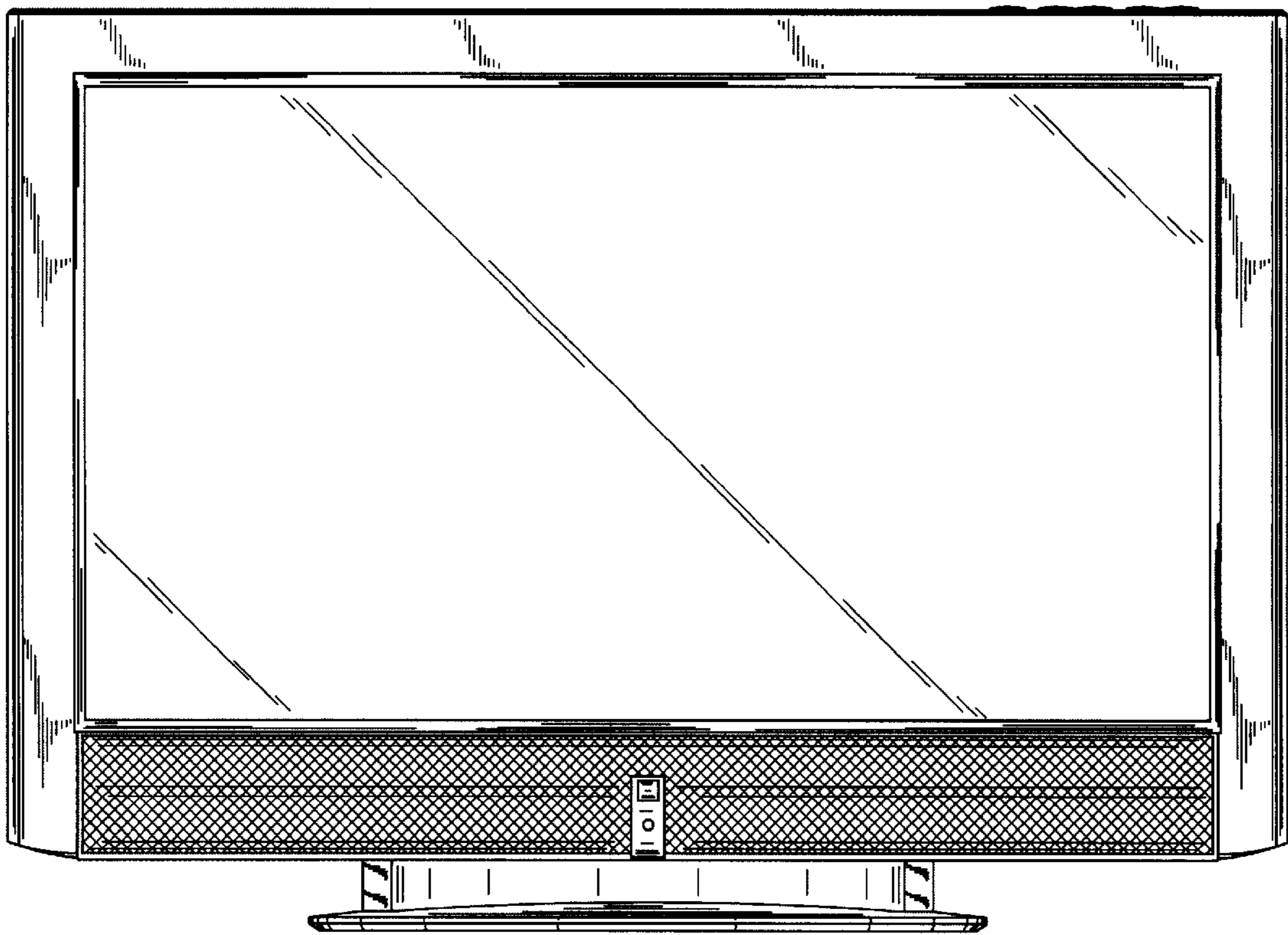


Fig. 2

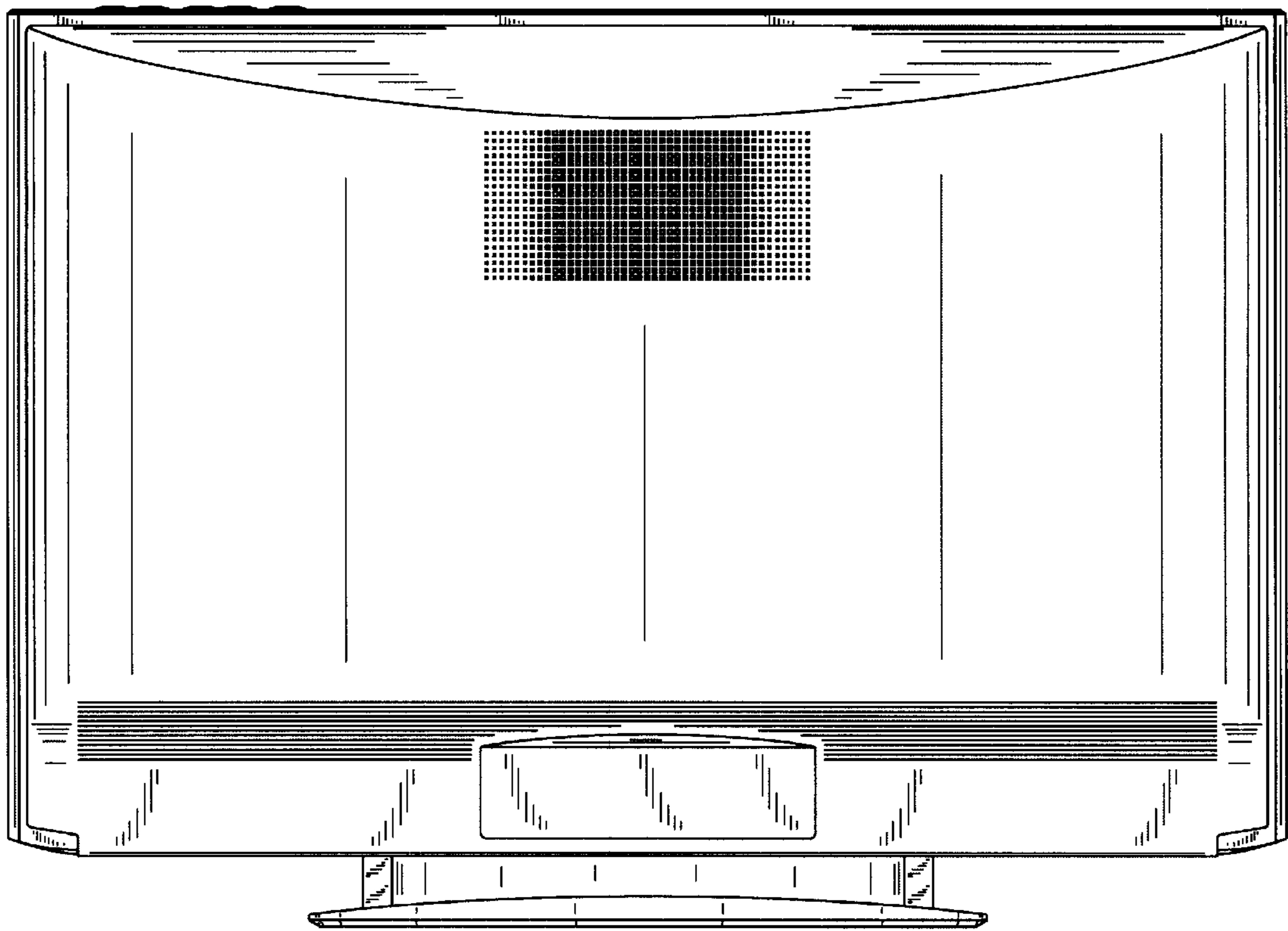


Fig. 3

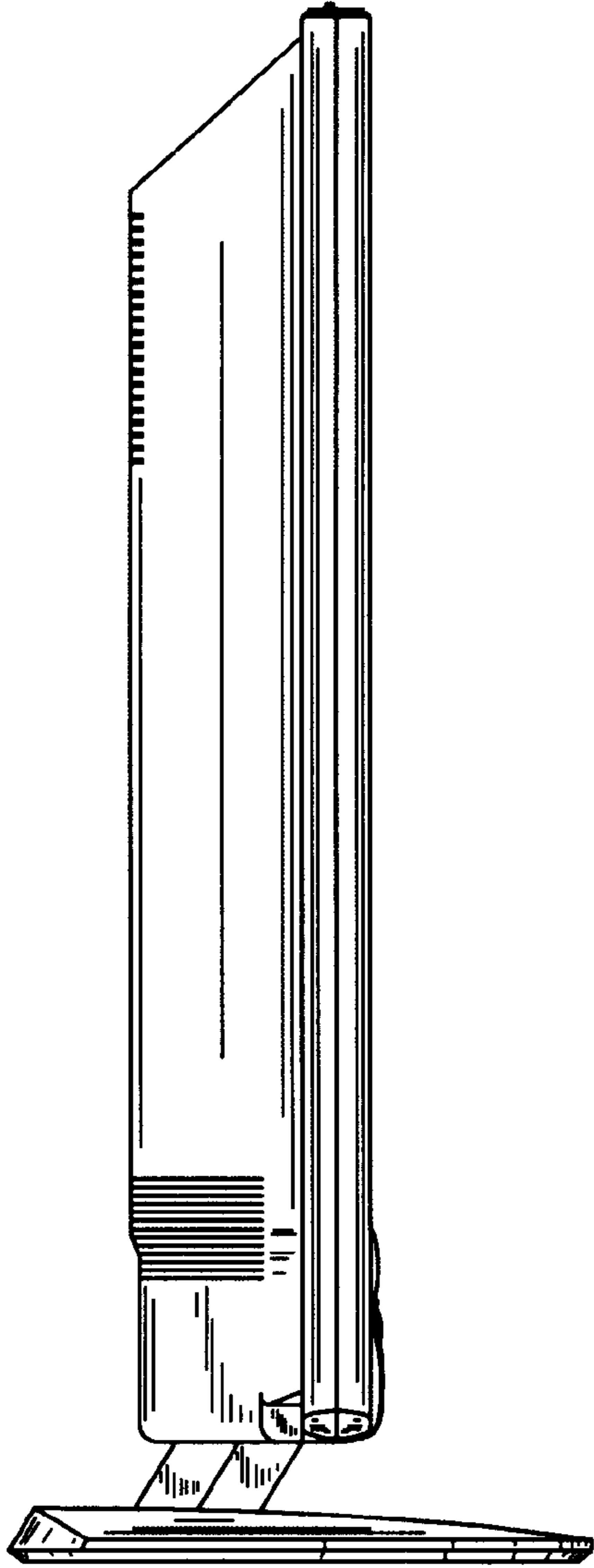


Fig. 4

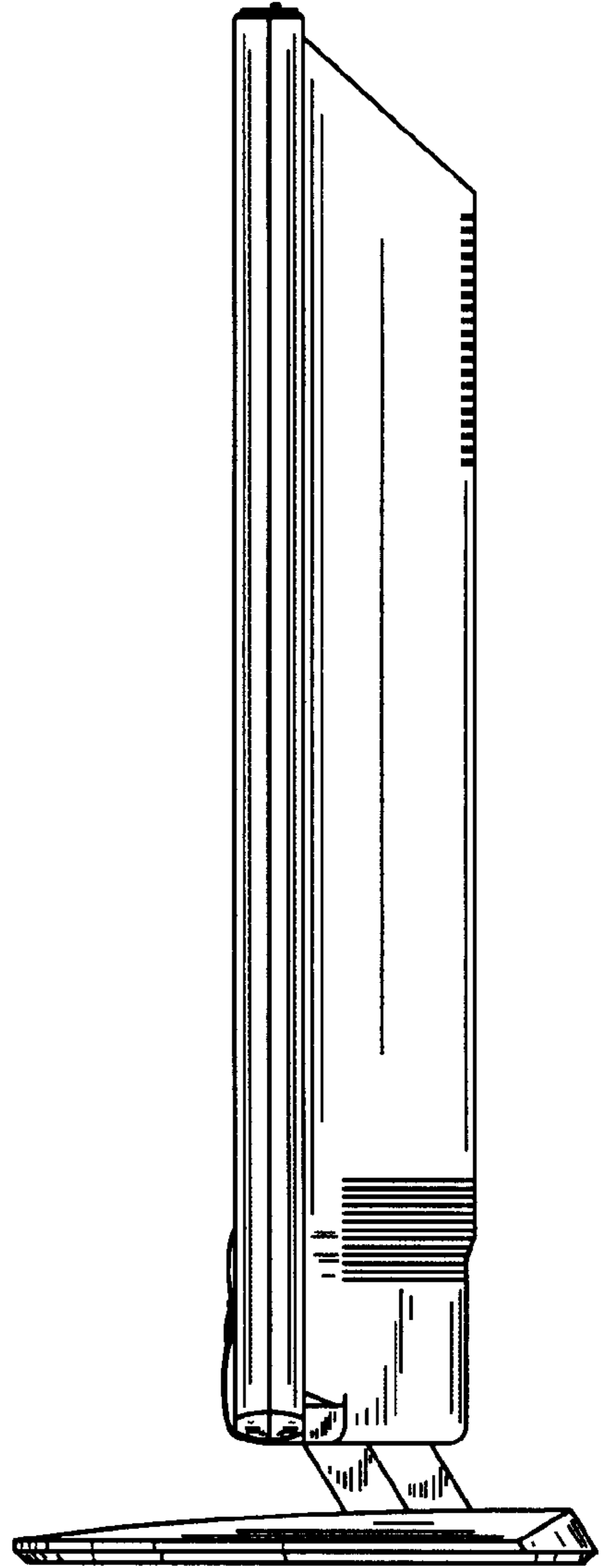


Fig. 5

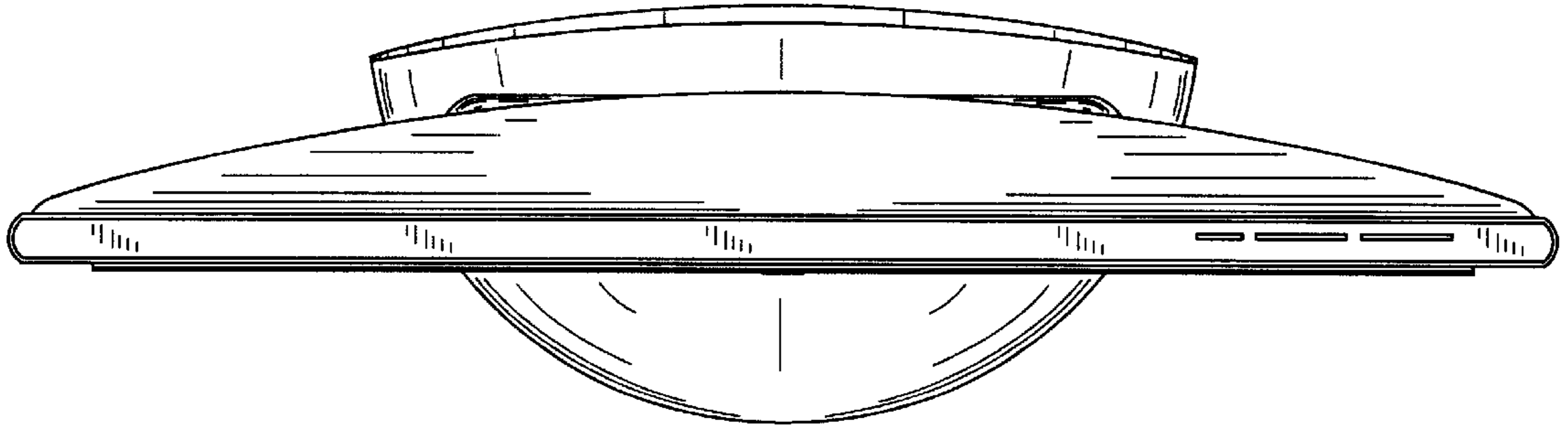


Fig. 6

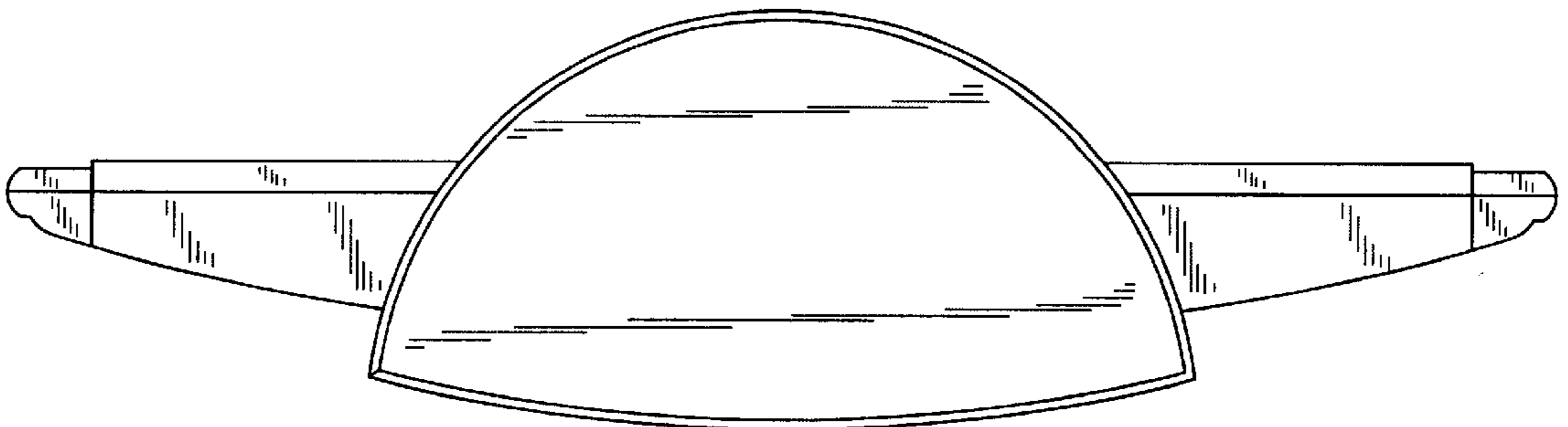


Fig. 7