



US00D472525S

(12) **United States Design Patent** (10) **Patent No.:** **US D472,525 S**  
**Barone** (45) **Date of Patent:** **\*\* Apr. 1, 2003**

(54) **DECORATIVE ROCKER SWITCH**

(74) *Attorney, Agent, or Firm*—Carter, DeLuca, Farrell & Schmidt, LLP

(76) **Inventor:** **Stephen Barone**, 76 Village Hill Dr., Dix Hills, NY (US) 11746

(57) **CLAIM**

(\*\*) **Term:** **14 Years**

The ornamental design for a decorative rocker switch, as shown and described.

(21) **Appl. No.:** **29/145,243**

(22) **Filed:** **Jul. 18, 2001**

**DESCRIPTION**

(51) **LOC (7) Cl.** ..... **13-03**

FIG. 1 is a perspective view of a decorative rocker switch having a horizontally expanded window panel showing my new design;

(52) **U.S. Cl.** ..... **D13/169**

FIG. 2 is a front view of the decorative rocker switch of FIG. 1;

(58) **Field of Search** ..... D13/169, 170, D13/171, 174; 200/437, 553, 237, 277.2, 315, 339, 302.3

FIG. 3 is a rear view of the decorative rocker switch of FIG. 1;

(56) **References Cited**

**U.S. PATENT DOCUMENTS**

D188,325	S	*	7/1960	Brown	.....	D13/174
3,036,219	A		5/1962	Thompson		
3,524,180	A		8/1970	Cruse		
3,631,434	A		12/1971	Schwarz		
D224,972	S	*	10/1972	Fujimoto	.....	D13/169
3,703,718	A		11/1972	Berman		
D234,774	S	*	4/1975	Handel	.....	D13/169
3,886,360	A		5/1975	Reiss et al.		

(List continued on next page.)

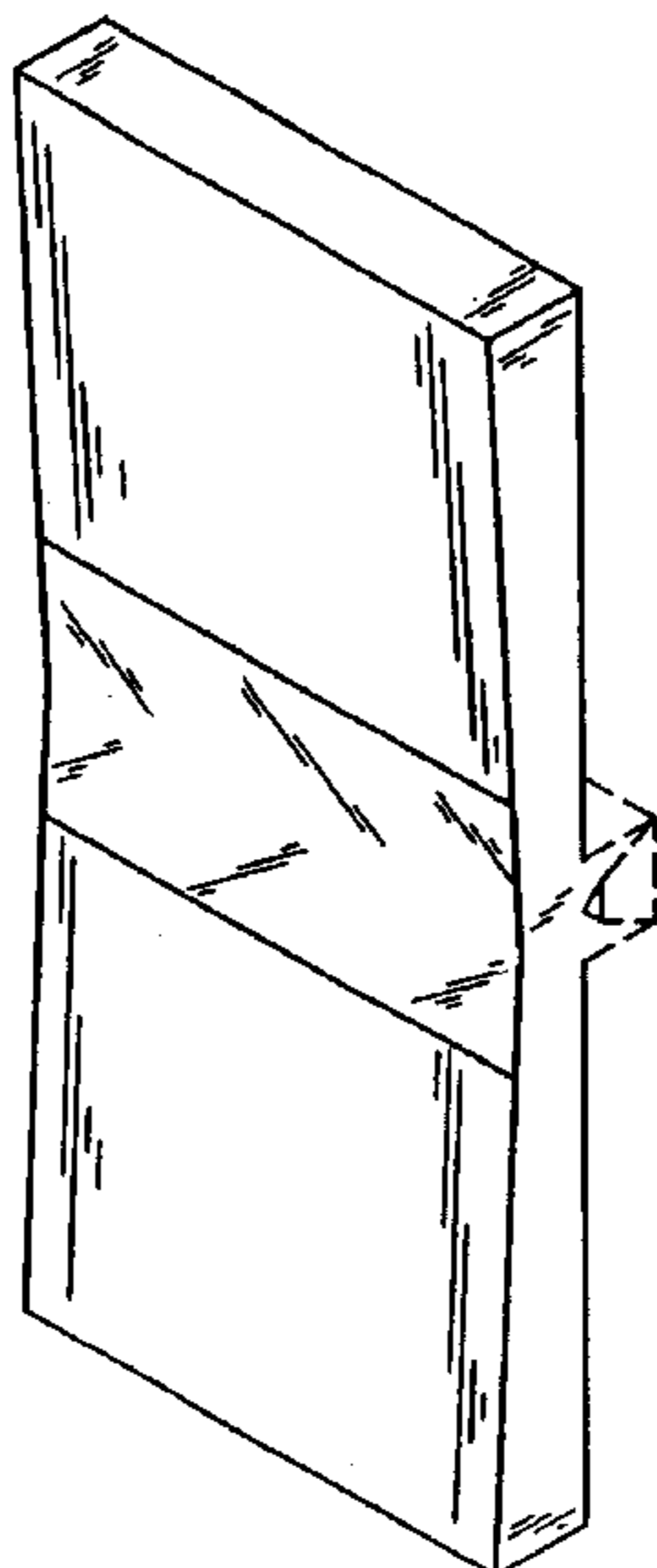
**FOREIGN PATENT DOCUMENTS**

DE	3615946	A1	11/1987
DE	87 12 893		1/1988
DE	390676	A1	9/1989
DE	3803277	A1	9/1989
EP	0 050 750		5/1982
EP	0 050 751		5/1982
EP	0 256 651		2/1988
EP	0 358 929		3/1990

(List continued on next page.)

*Primary Examiner*—Ted Shooman  
*Assistant Examiner*—Selina Sikder

**1 Claim, 4 Drawing Sheets**



# US D472,525 S

Page 2

## U.S. PATENT DOCUMENTS

3,958,118 A	5/1976	Schwarz	
4,122,427 A	10/1978	Karsh	
D256,011 S	* 7/1980	Matsuda .....	D13/171
4,221,941 A	* 9/1980	Genovese .....	200/457
4,321,594 A	3/1982	Galvin et al.	
4,342,987 A	8/1982	Rossin	
4,404,468 A	9/1983	Kleinschmidt	
4,420,688 A	12/1983	LeBars	
4,429,223 A	1/1984	Wagli	
4,429,224 A	1/1984	Wagli et al.	
4,442,359 A	4/1984	Lederer	
4,661,720 A	4/1987	Cameron, Jr. et al.	
4,663,521 A	5/1987	Maile	
4,768,020 A	8/1988	Chen	
4,779,240 A	10/1988	Dorr	
4,876,445 A	10/1989	McMaster	
4,912,331 A	3/1990	Owers	
4,978,843 A	12/1990	Yamakama	
5,189,393 A	2/1993	Hu	
5,213,204 A	* 5/1993	Sommer .....	200/303
5,266,807 A	11/1993	Neiger	
5,308,985 A	5/1994	Lee	
5,491,467 A	2/1996	Tracy et al.	
5,560,475 A	* 10/1996	Brundage et al. ....	200/315
5,584,381 A	* 12/1996	Brundage et al. ....	200/315
5,640,143 A	6/1997	Myron et al.	
5,915,332 A	6/1999	Young et al.	
5,929,445 A	7/1999	Barone	
5,934,451 A	* 8/1999	Yu et al. ....	200/315
6,005,308 A	* 12/1999	Bryde et al. ....	307/157

## FOREIGN PATENT DOCUMENTS

EP	0 501 253 A	9/1992
GB	2 299 405	10/1996
JP	54 998	1/1979
JP	3 95480	4/1991
JP	06294865	10/1994
WO	WO 88 04038 A	6/1988
WO	WO 92/10819	6/1992
WO	WO 93 19385	9/1993
WO	WO 98/11521	3/1998
WO	WO 99/40453	8/1999

\* cited by examiner

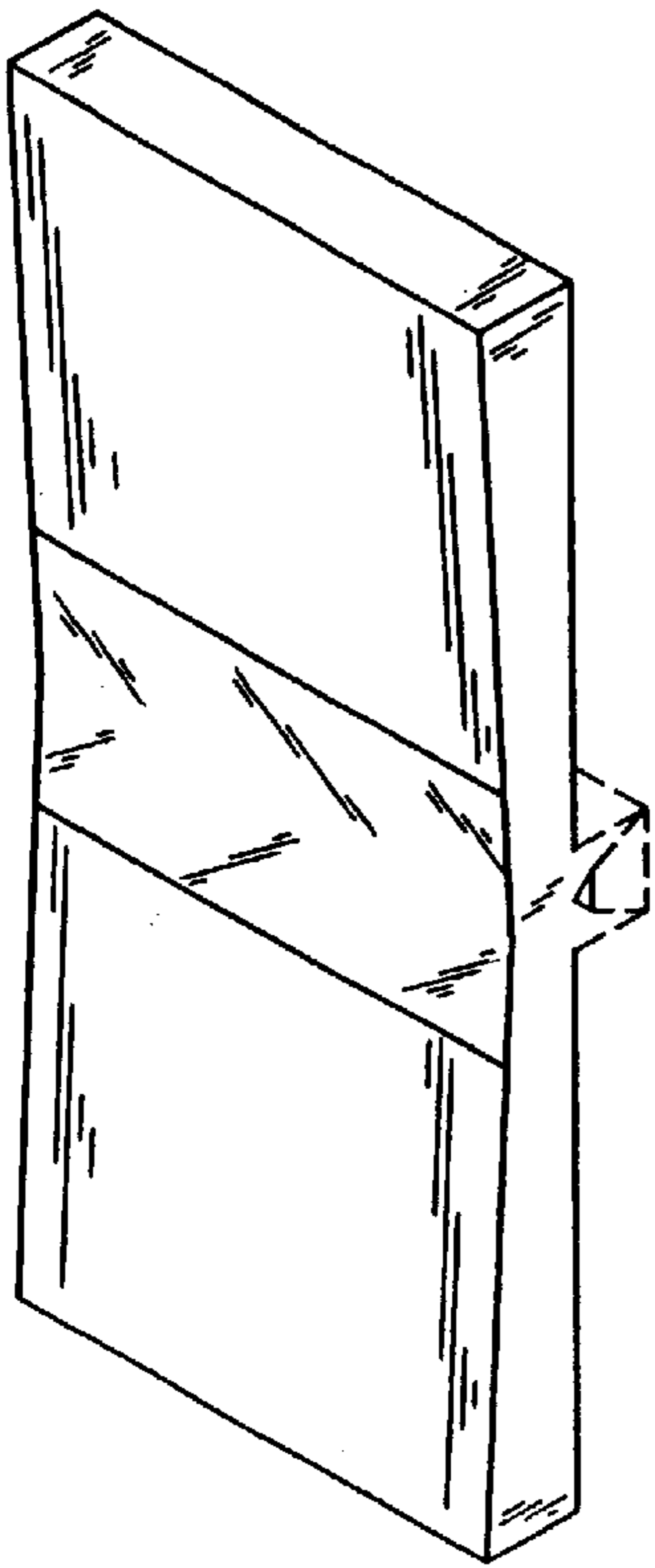


FIG. 1

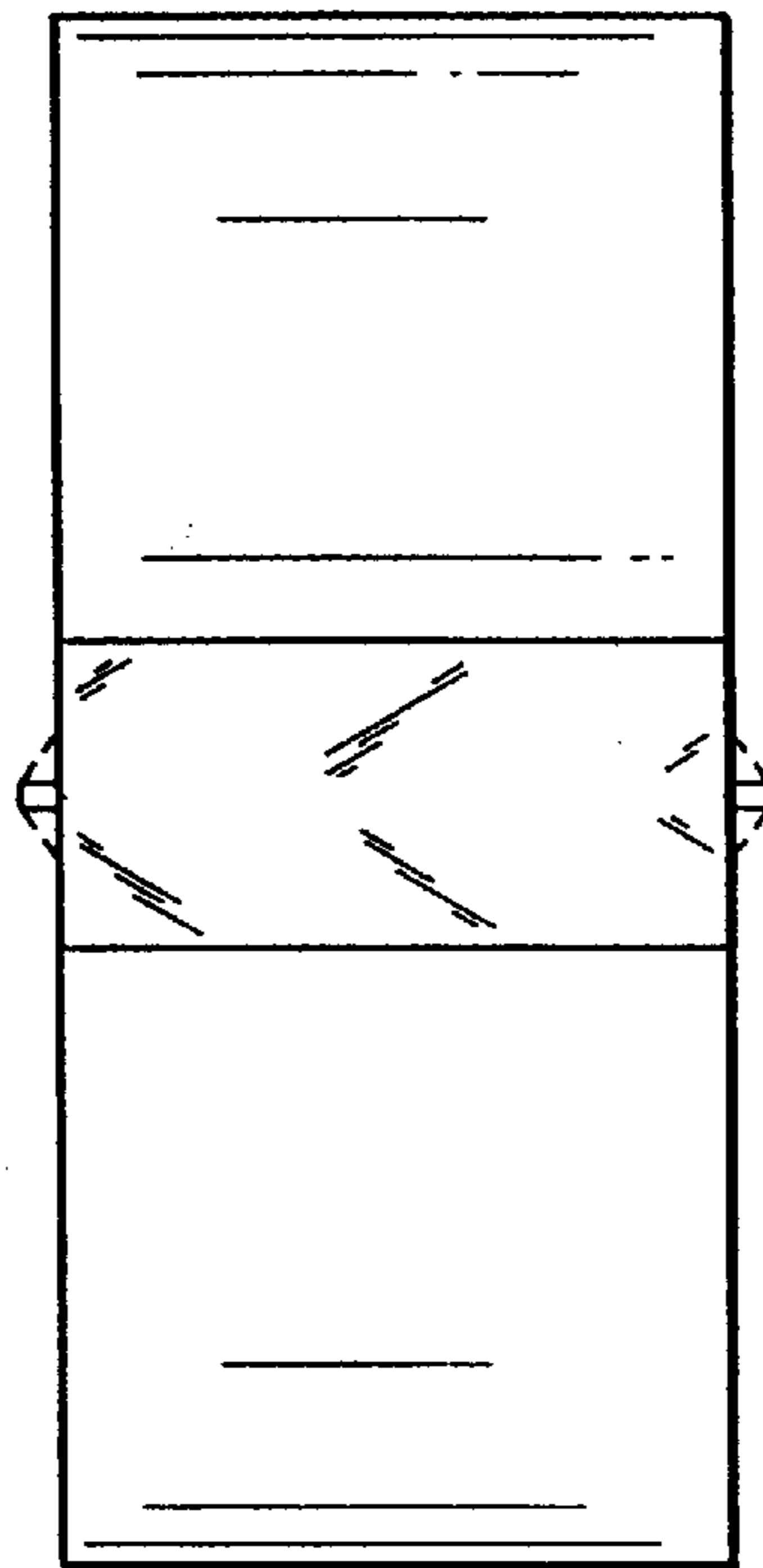


FIG. 2

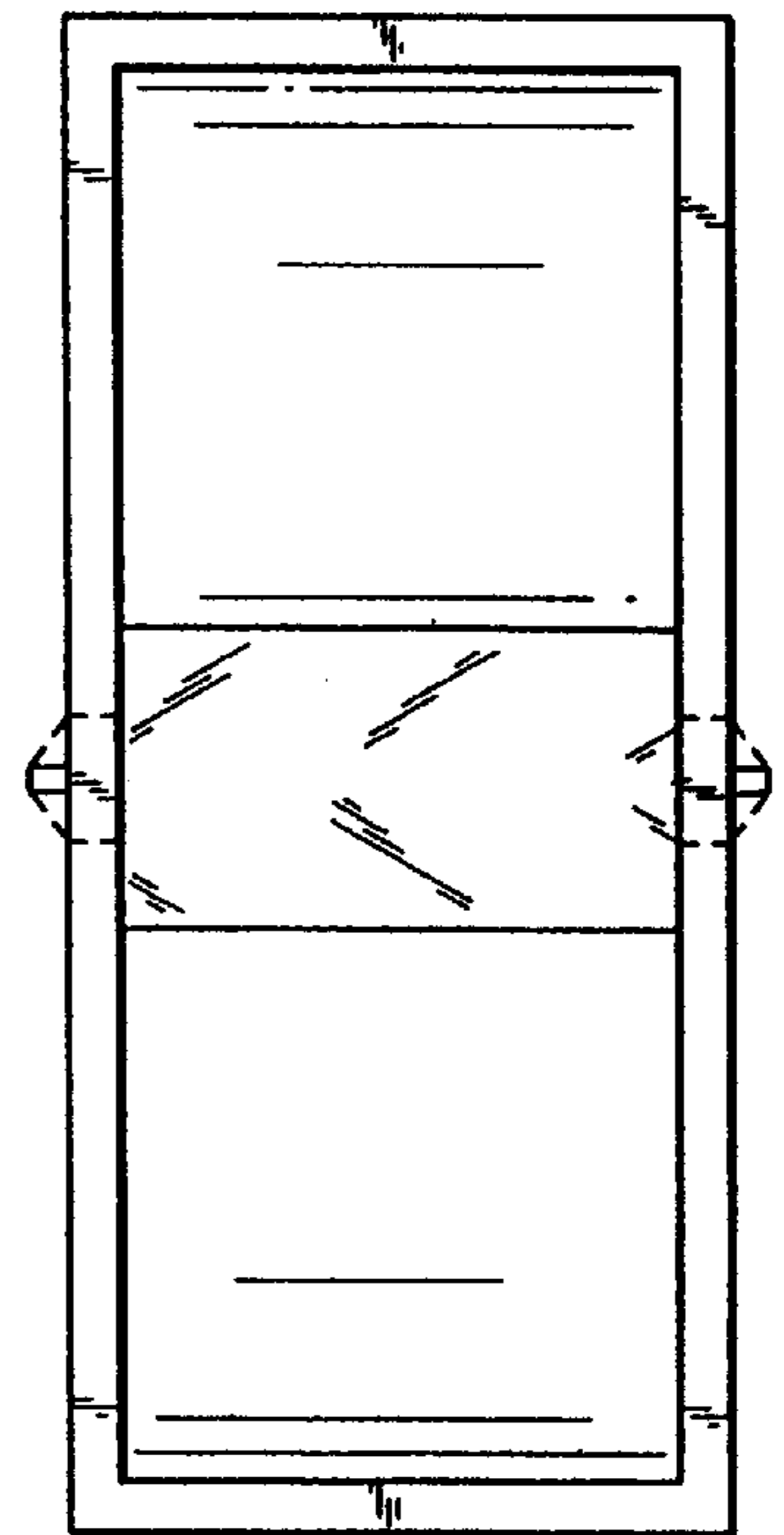


FIG. 3



FIG. 4

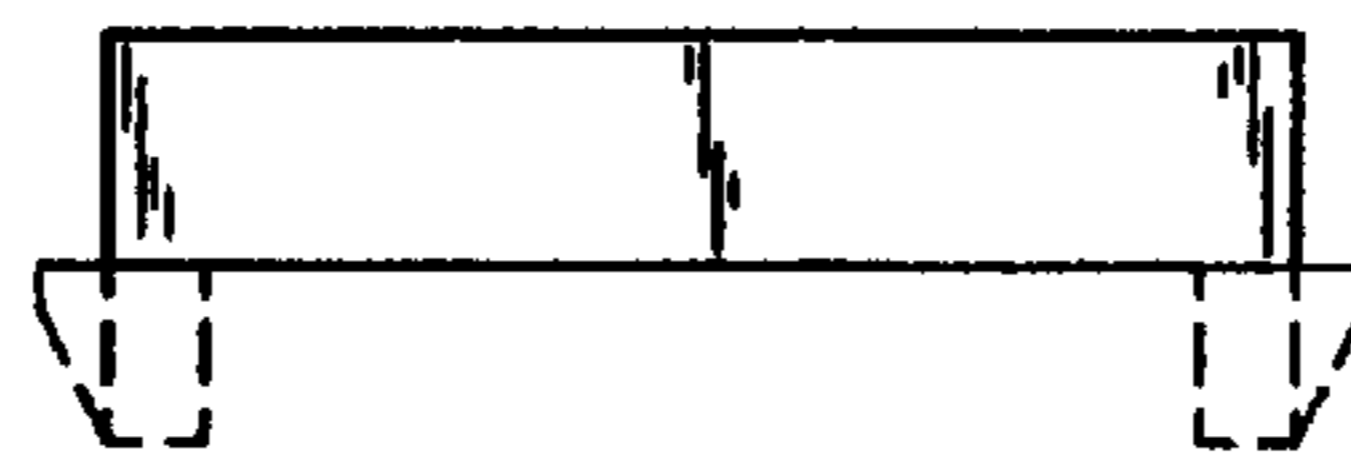
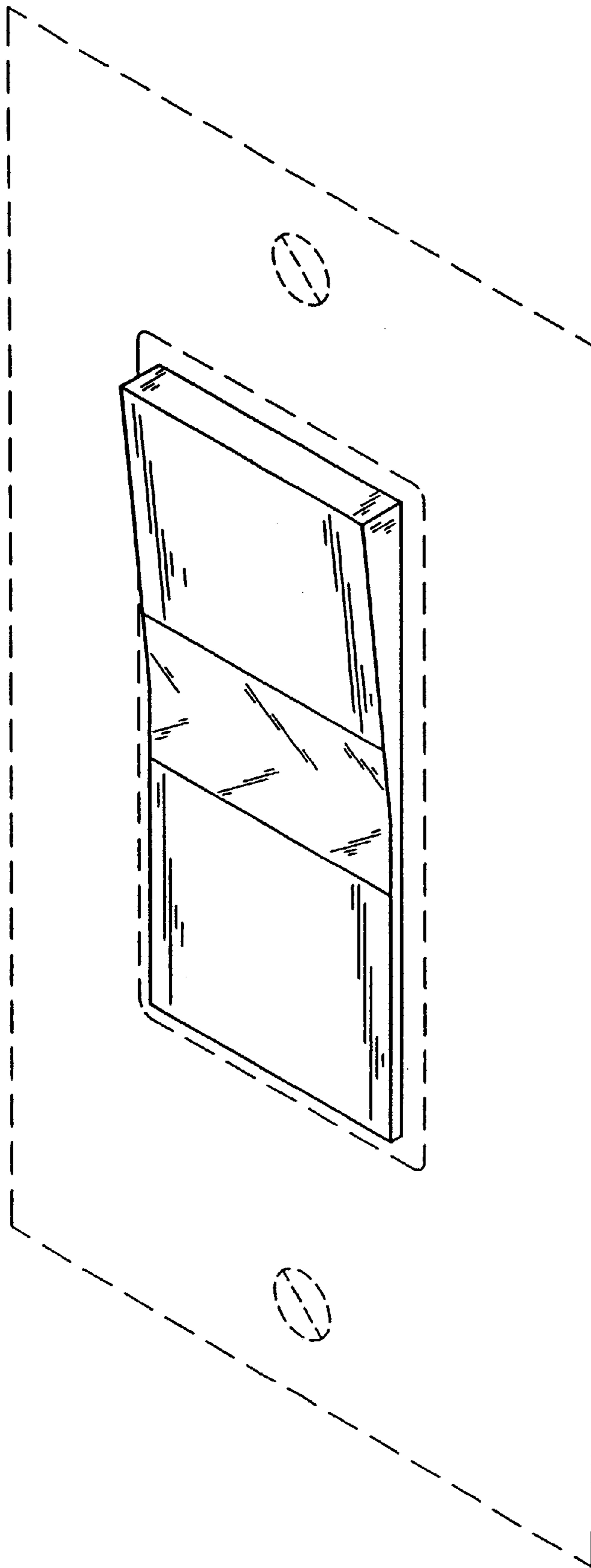


FIG. 5



*FIG. 6*

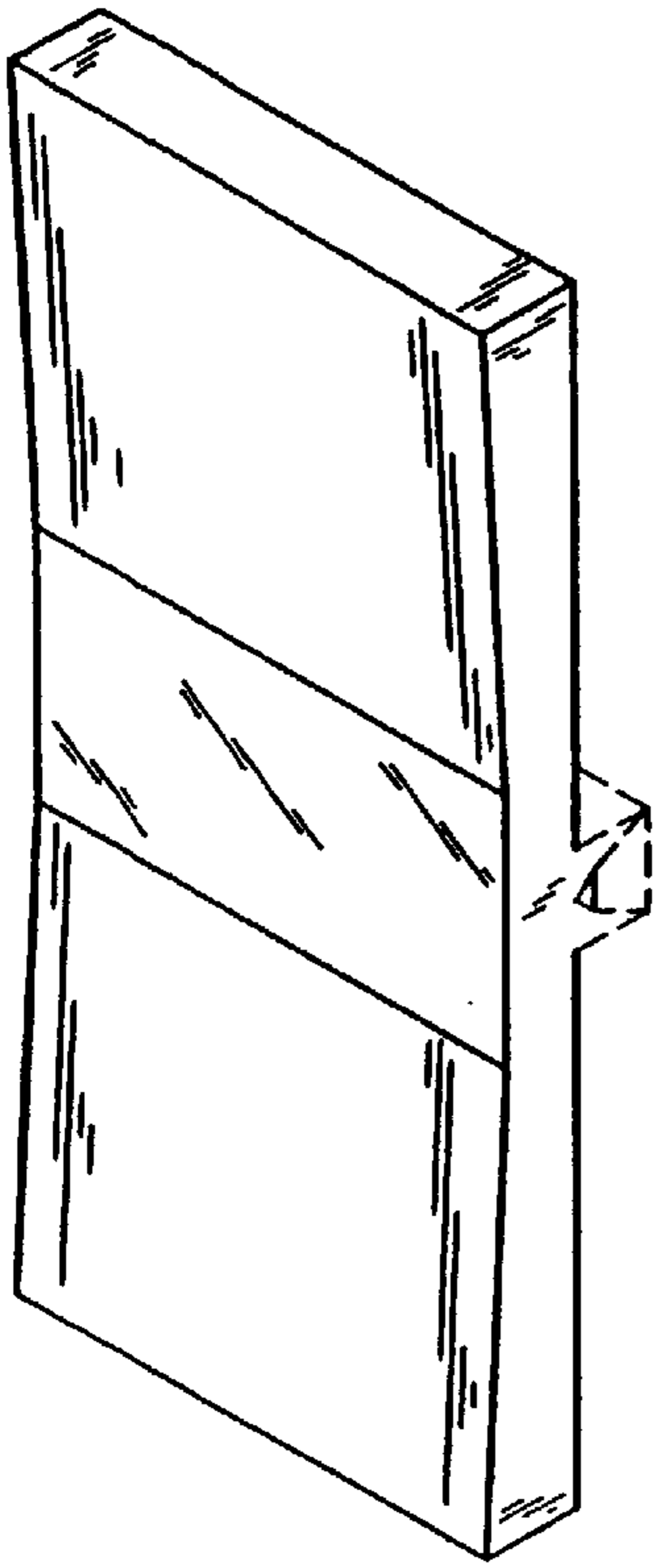


FIG. 7

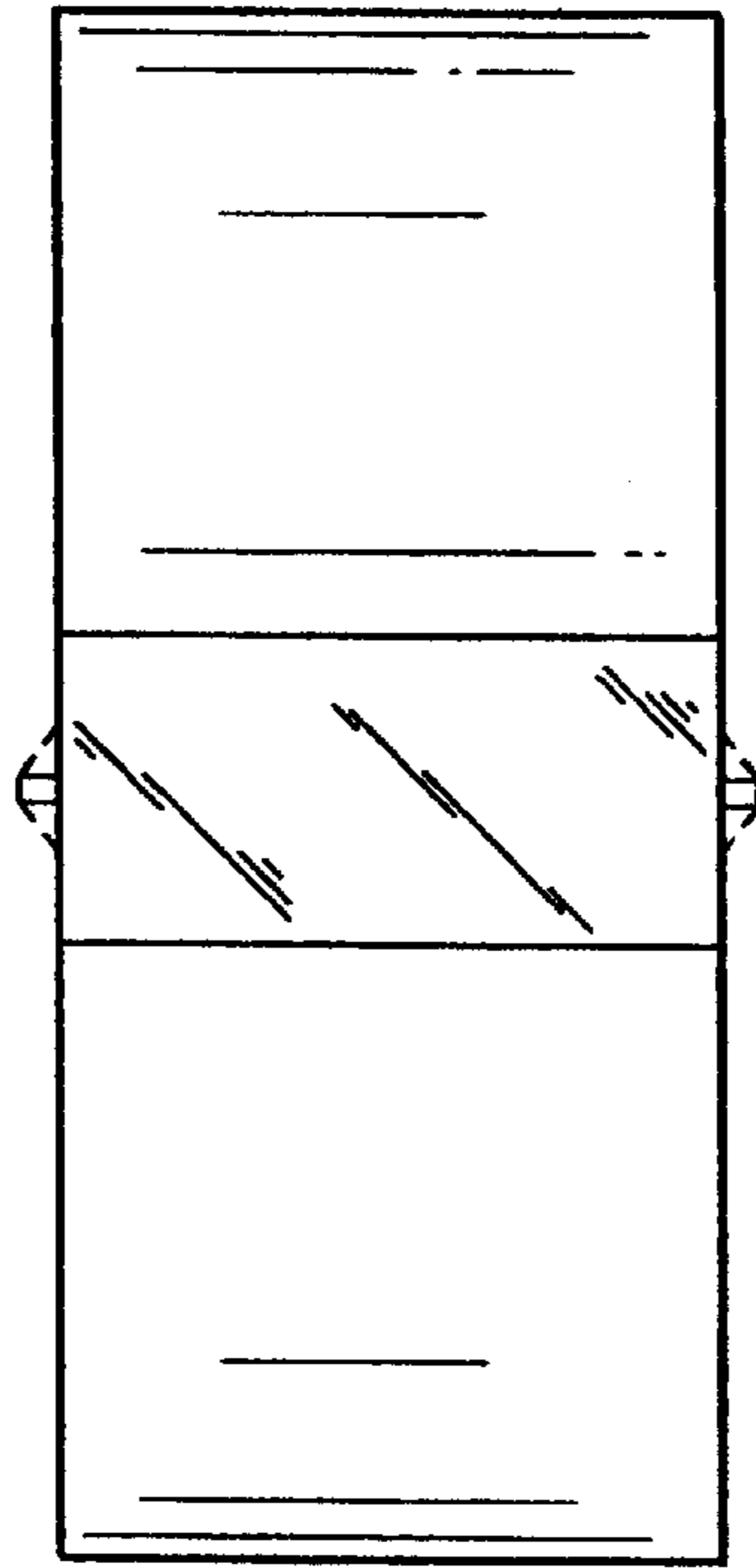


FIG. 8

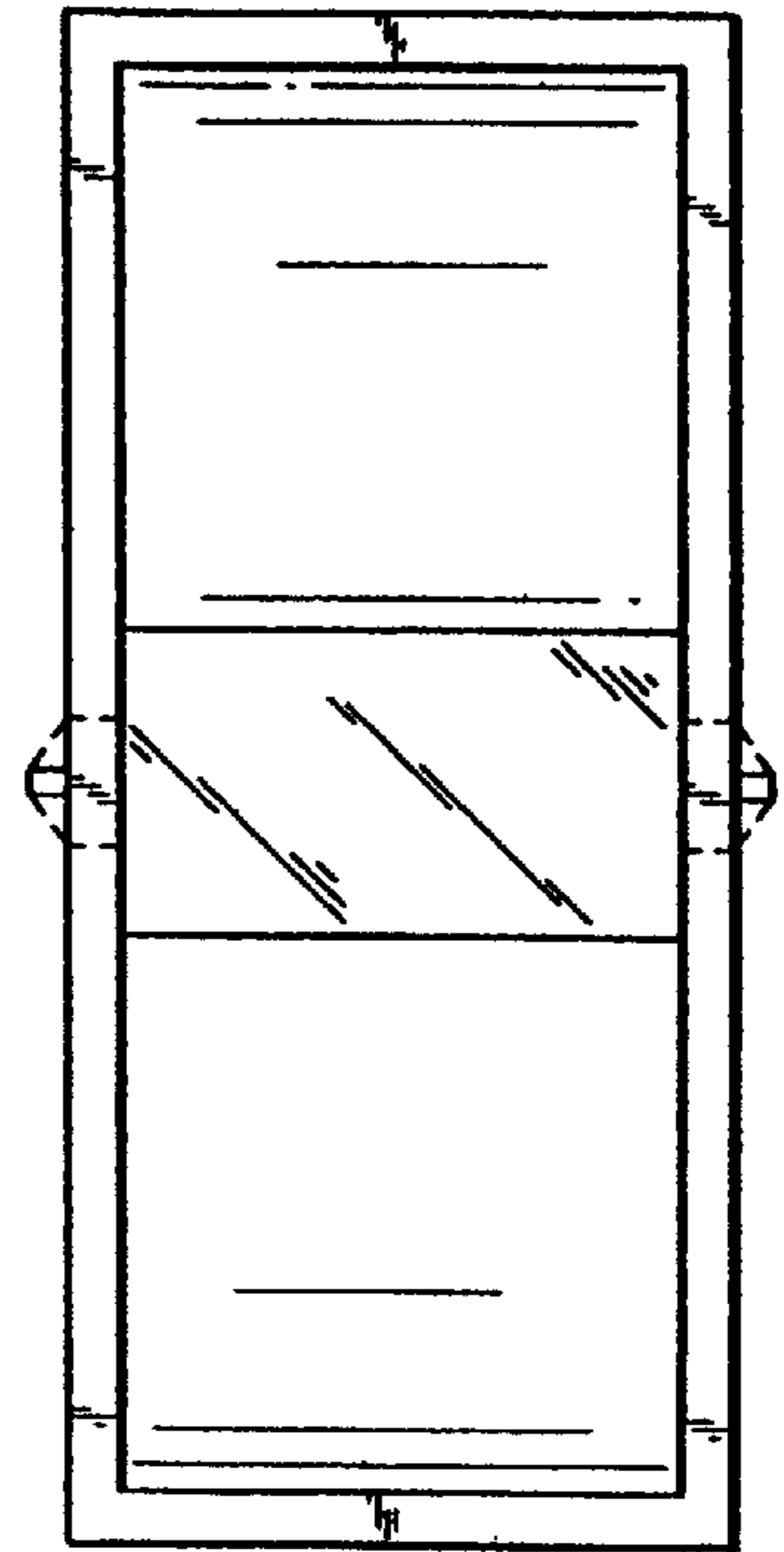


FIG. 9



FIG. 10

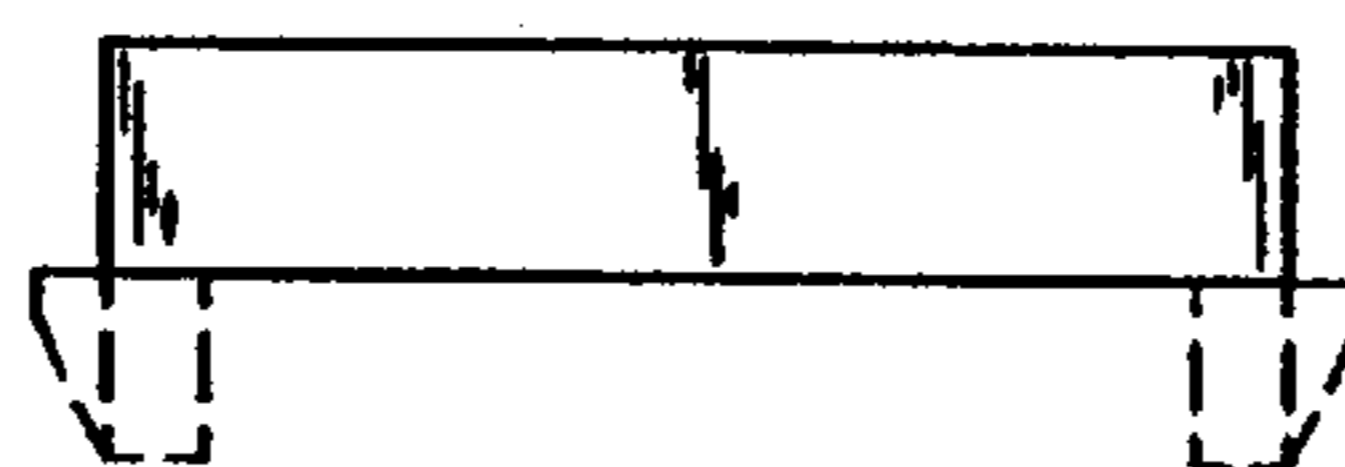
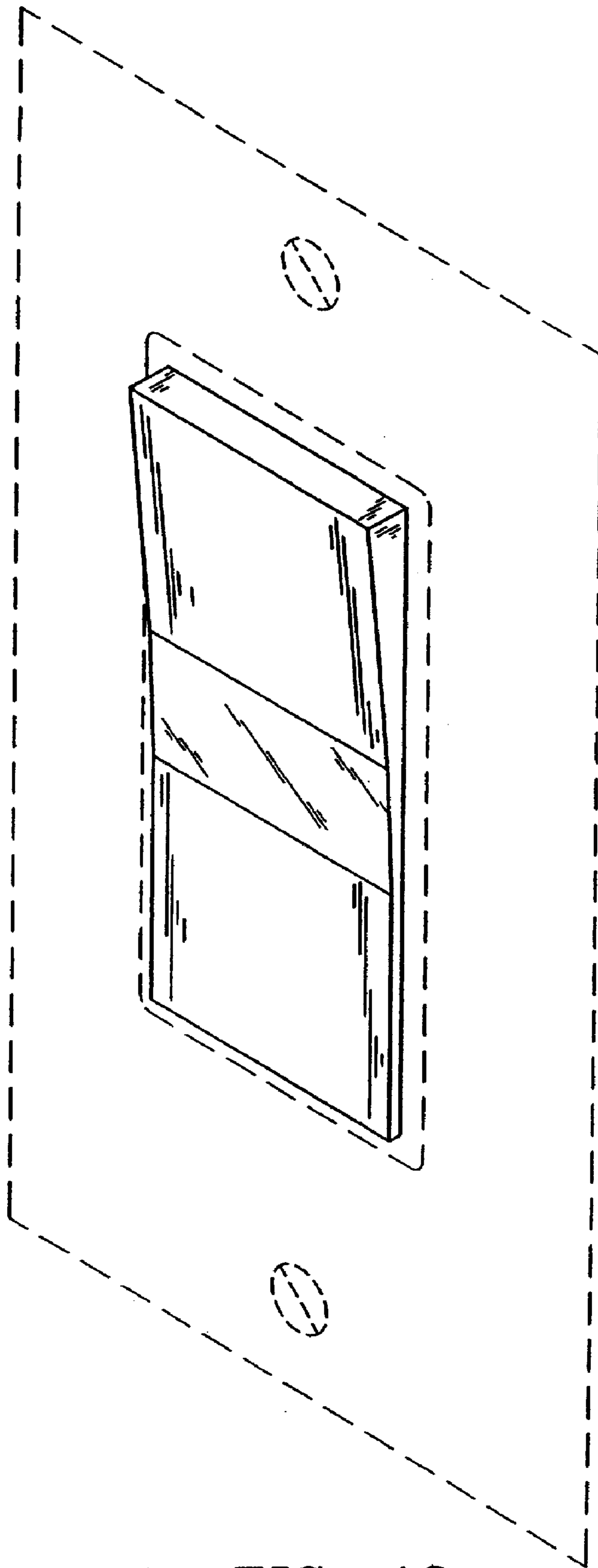


FIG. 11



**FIG. 12**