



US00D472524S

(12) **United States Design Patent**
Yamawaki et al.

(10) **Patent No.:** **US D472,524 S**

(45) **Date of Patent:** **** Apr. 1, 2003**

(54) **ELECTRICAL CONNECTOR HOUSING**

(75) Inventors: **Takanori Yamawaki**, Shizuoka (JP);
Kuninori Matsubara, Shizuoka (JP)

(73) Assignee: **Yazaki Corporation**, Tokyo (JP)

(**) Term: **14 Years**

(21) Appl. No.: **29/163,053**

(22) Filed: **Jun. 27, 2002**

(51) **LOC (7) Cl.** **13-03**

(52) **U.S. Cl.** **D13/147**

(58) **Field of Search** D13/147; 439/281,
439/352, 595

(56) **References Cited**

U.S. PATENT DOCUMENTS

4,802,869	A	*	2/1989	Maue	439/587
D323,154	S	*	1/1992	Ohkura et al.	D13/147
D327,249	S		6/1992	Ohkura et al.		
5,151,052	A	*	9/1992	McCardell	439/598
5,664,966	A	*	9/1997	Maegawa et al.	439/595
5,713,761	A	*	2/1998	Okayasu	439/595
5,842,884	A	*	12/1998	Maegawa et al.	439/595
6,416,344	B2	*	7/2002	Okayasu et al.	439/352
2001/0027058	A1	*	10/2001	Pederson et al.	439/595

* cited by examiner

Primary Examiner—Joel Sincavage

(74) *Attorney, Agent, or Firm*—Birch, Stewart, Kolasch & Birch, LLP

(57) **CLAIM**

The ornamental design for an electrical connector housing, as shown and described.

DESCRIPTION

FIG. 1 is a perspective view seen from upper front side of an electrical connector housing, showing our new design;

FIG. 2 is a perspective view seen from upper rear side thereof;

FIG. 3 is a front view thereof;

FIG. 4 is a rear view thereof;

FIG. 5 is a top plan view thereof;

FIG. 6 is a bottom view thereof;

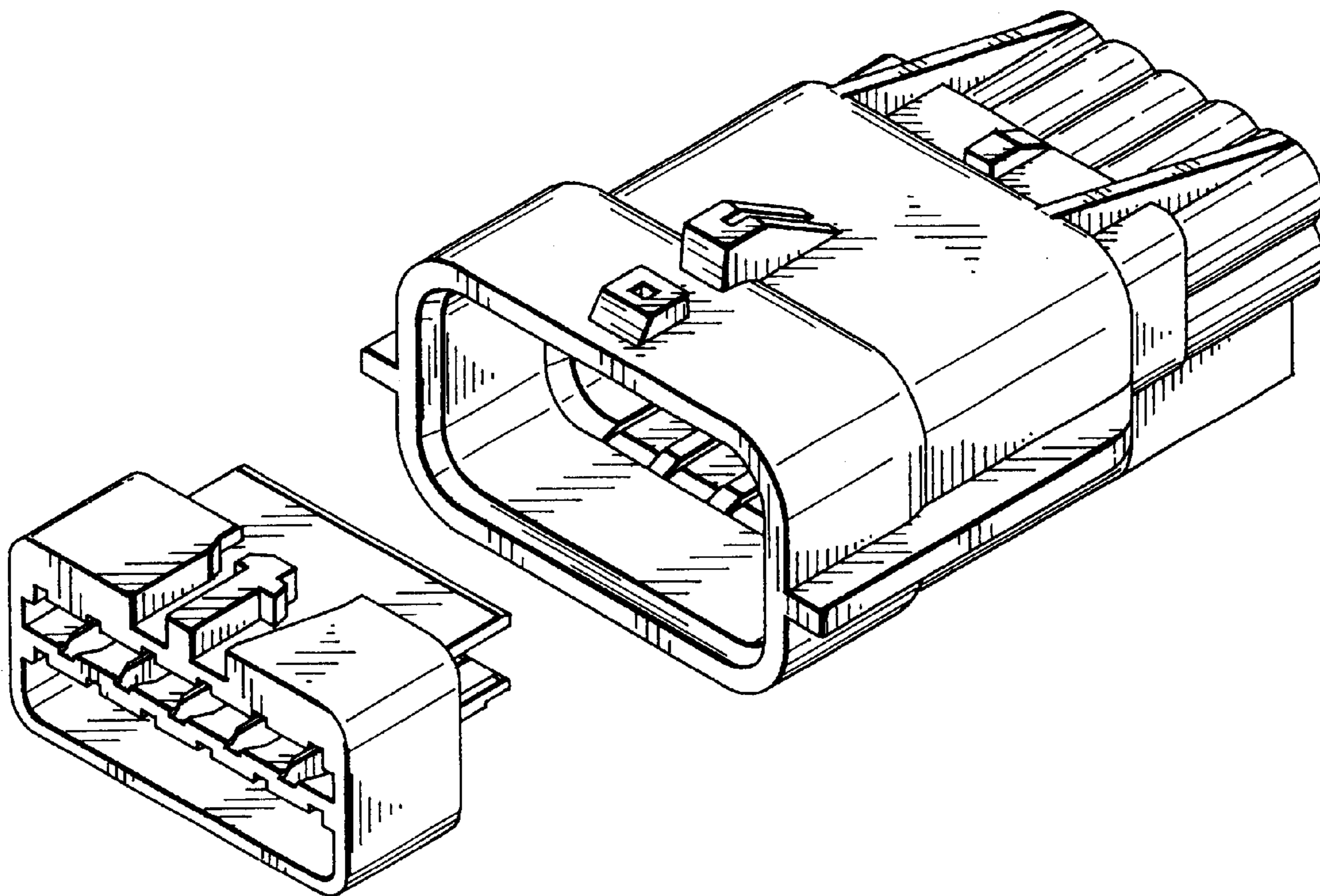
FIG. 7 is a right-side view thereof, the left side view being a mirror image;

FIG. 8 is a reference front view thereof;

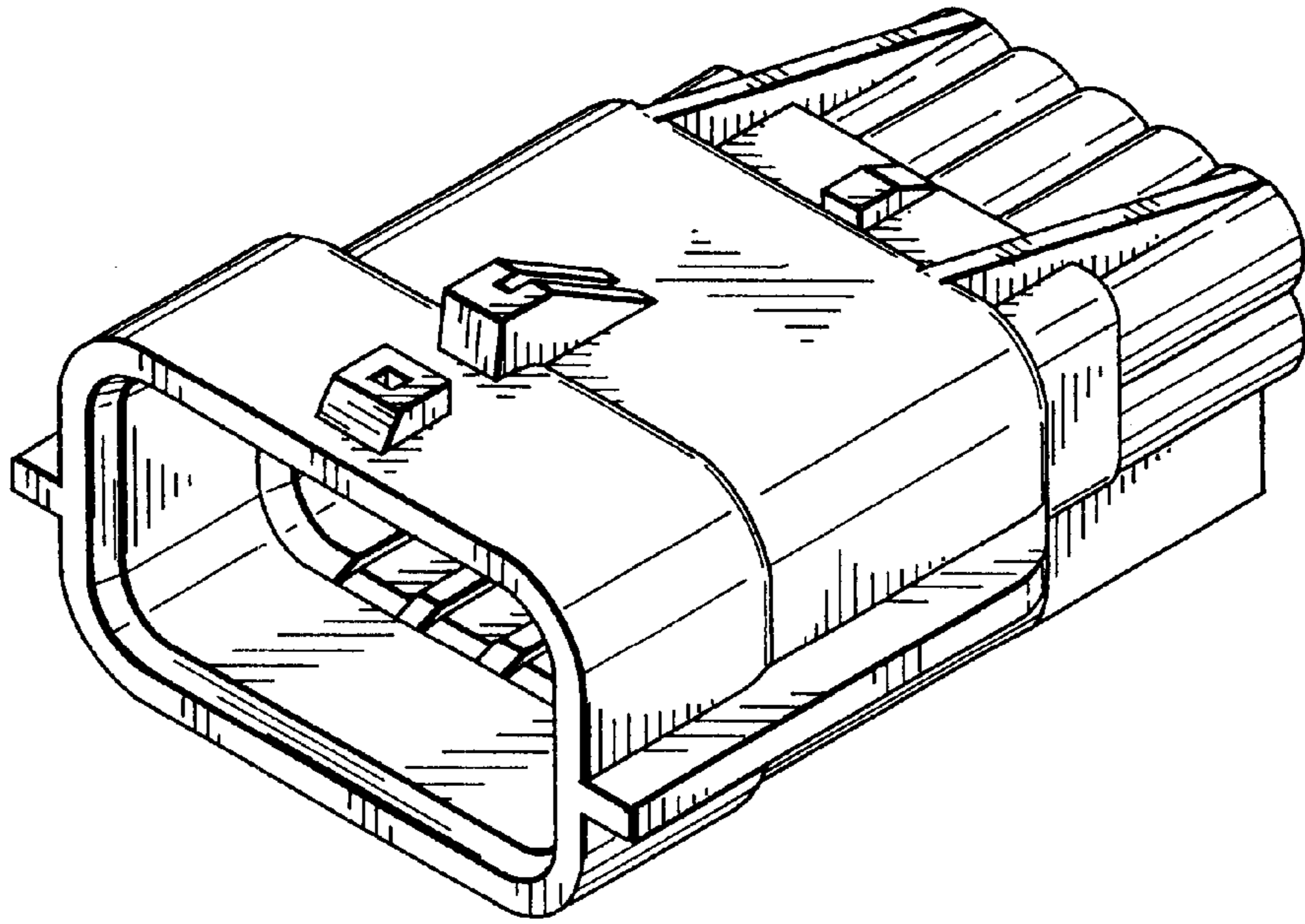
FIG. 9 is a cross sectional view, taken along Line A-B-C-D of FIG. 8; and,

FIG. 10 is a front-upper perspective view with terminal stopper taken off thereof.

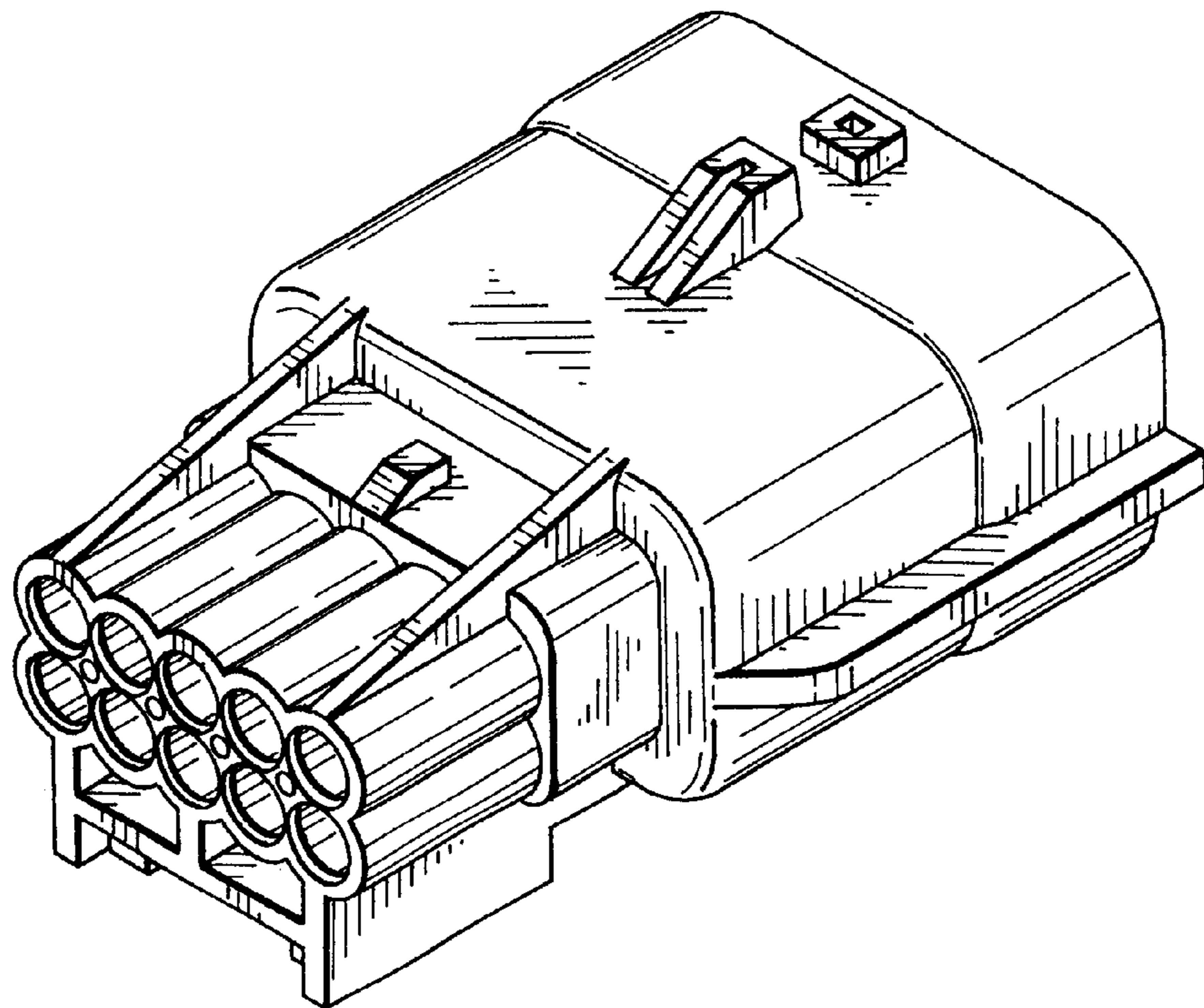
1 Claim, 5 Drawing Sheets



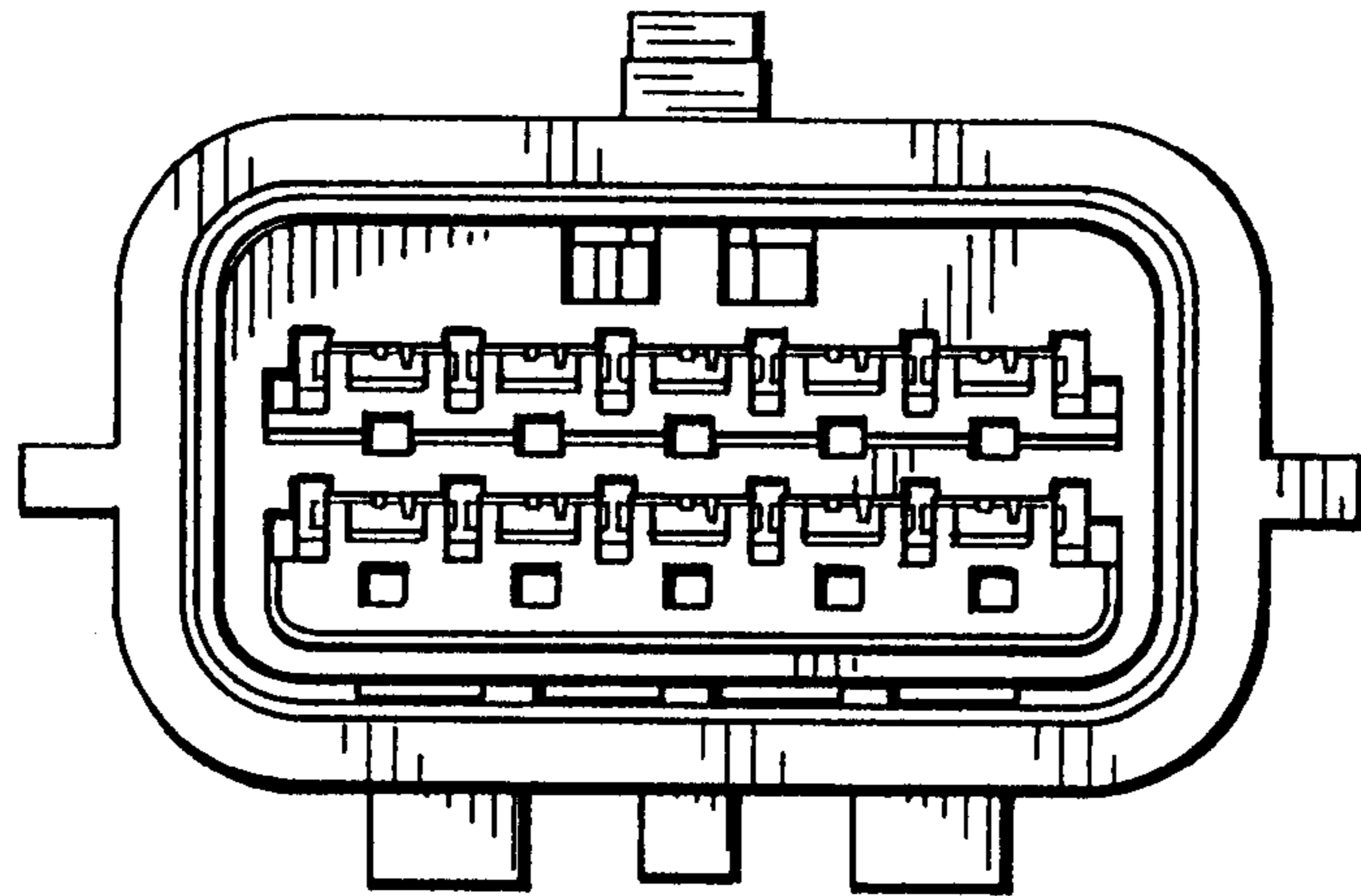
F I G . 1



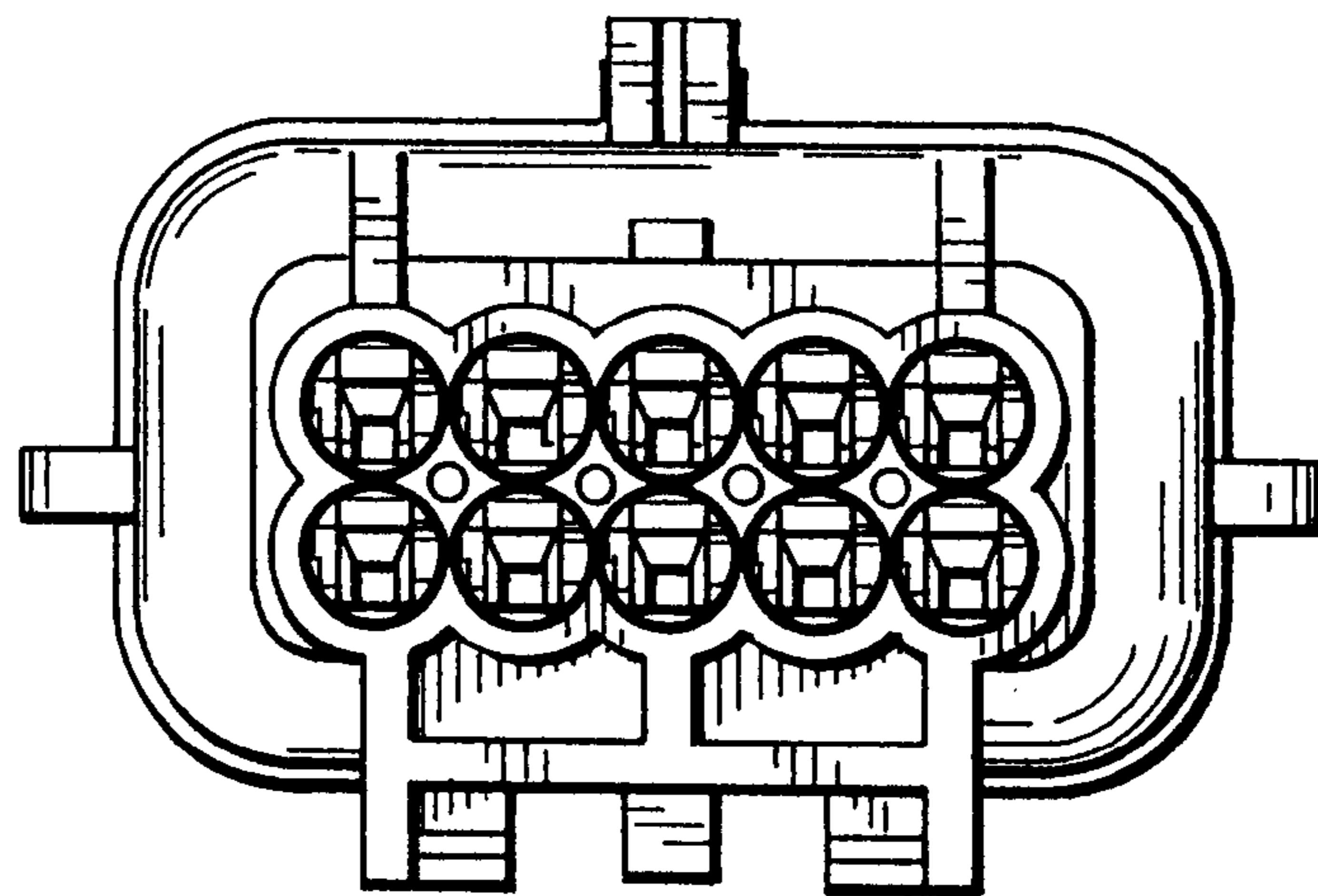
F I G . 2



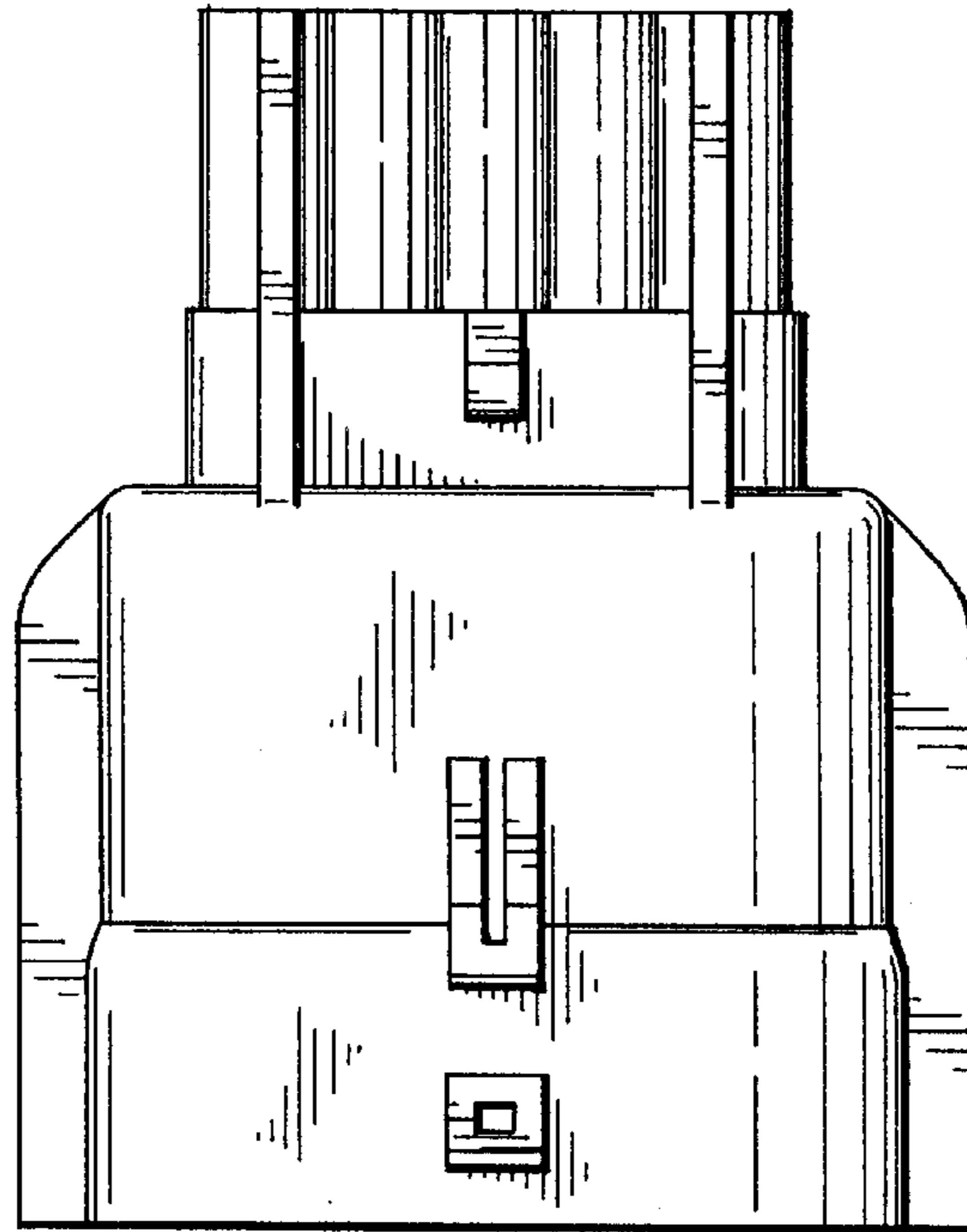
F I G . 3



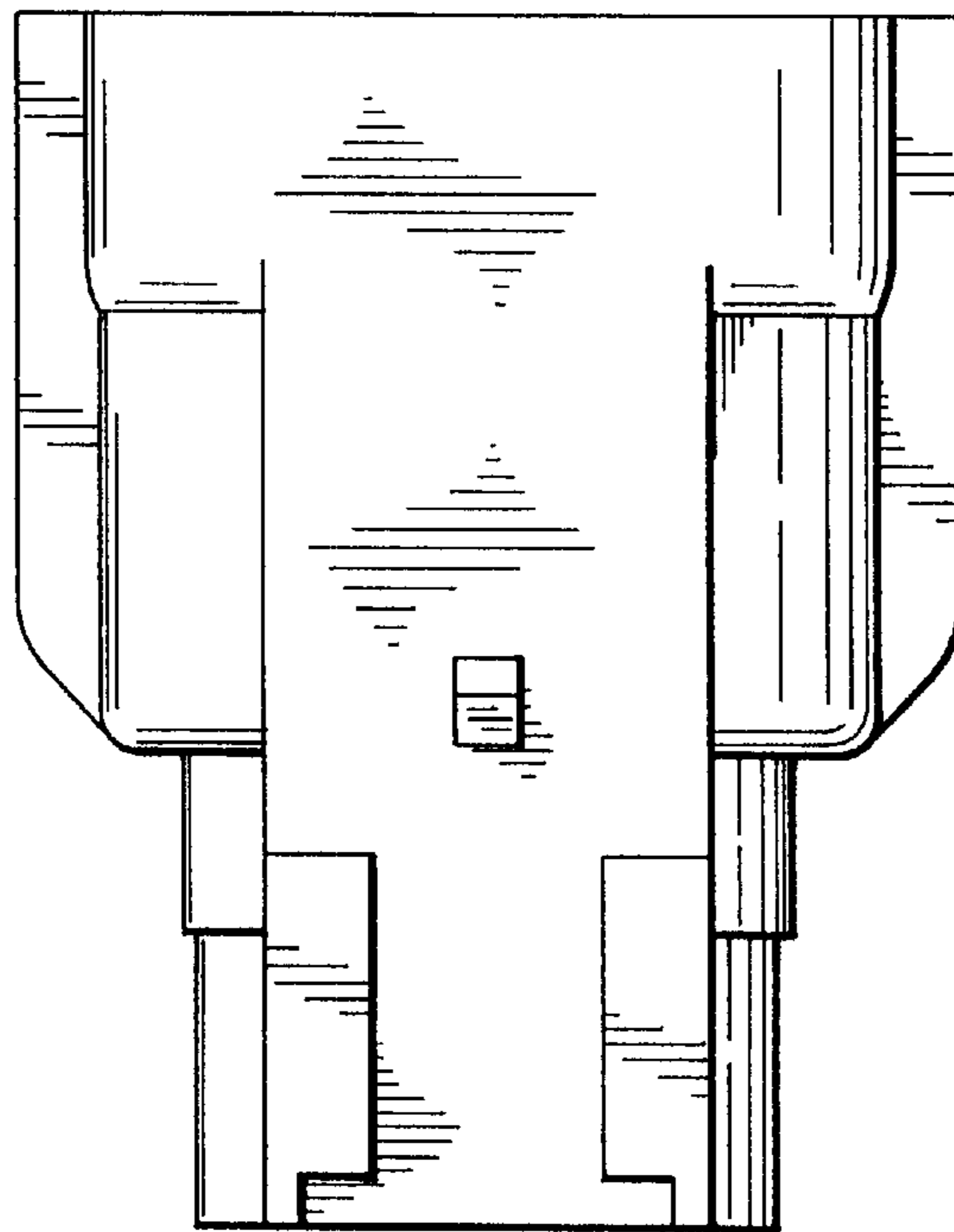
F I G . 4



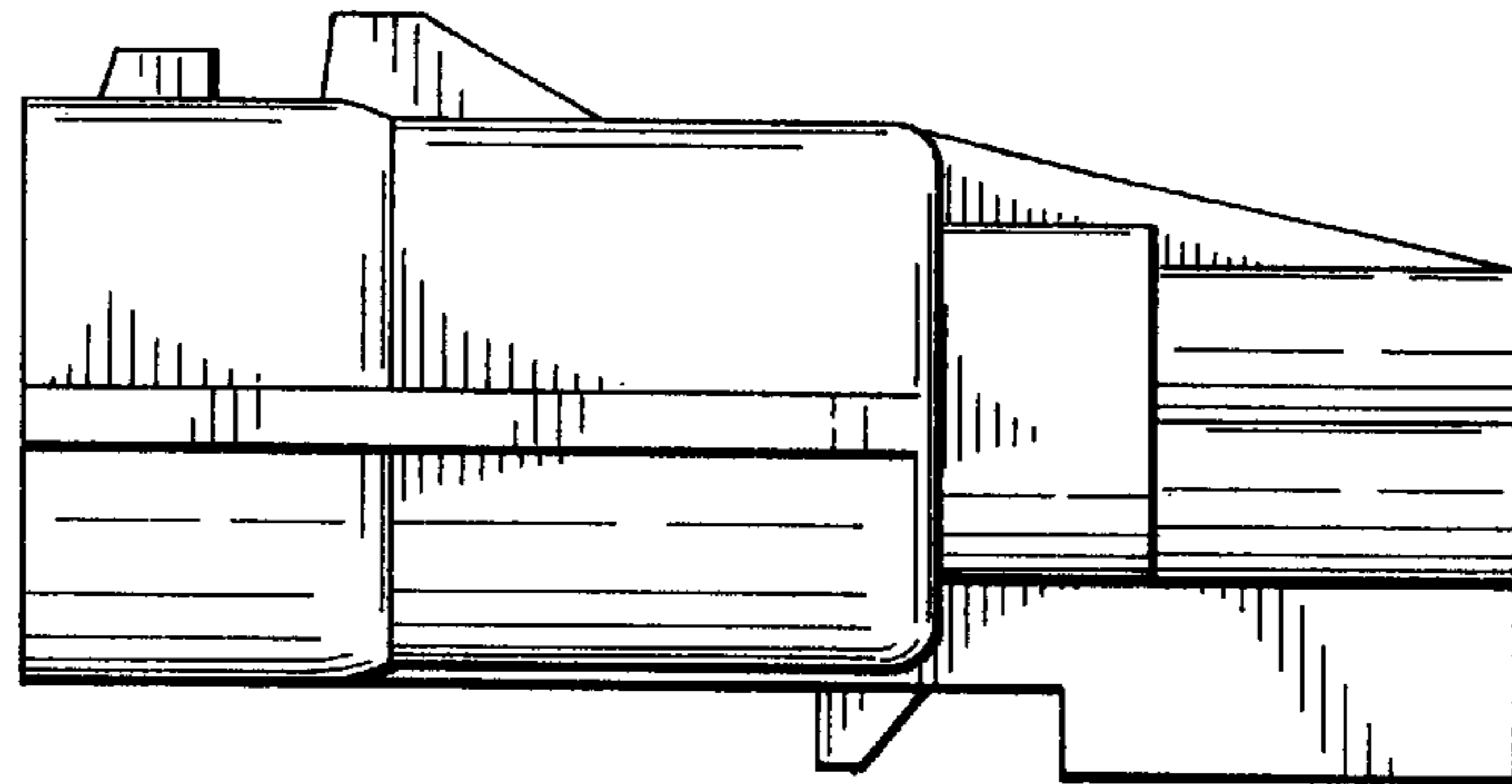
F I G . 5



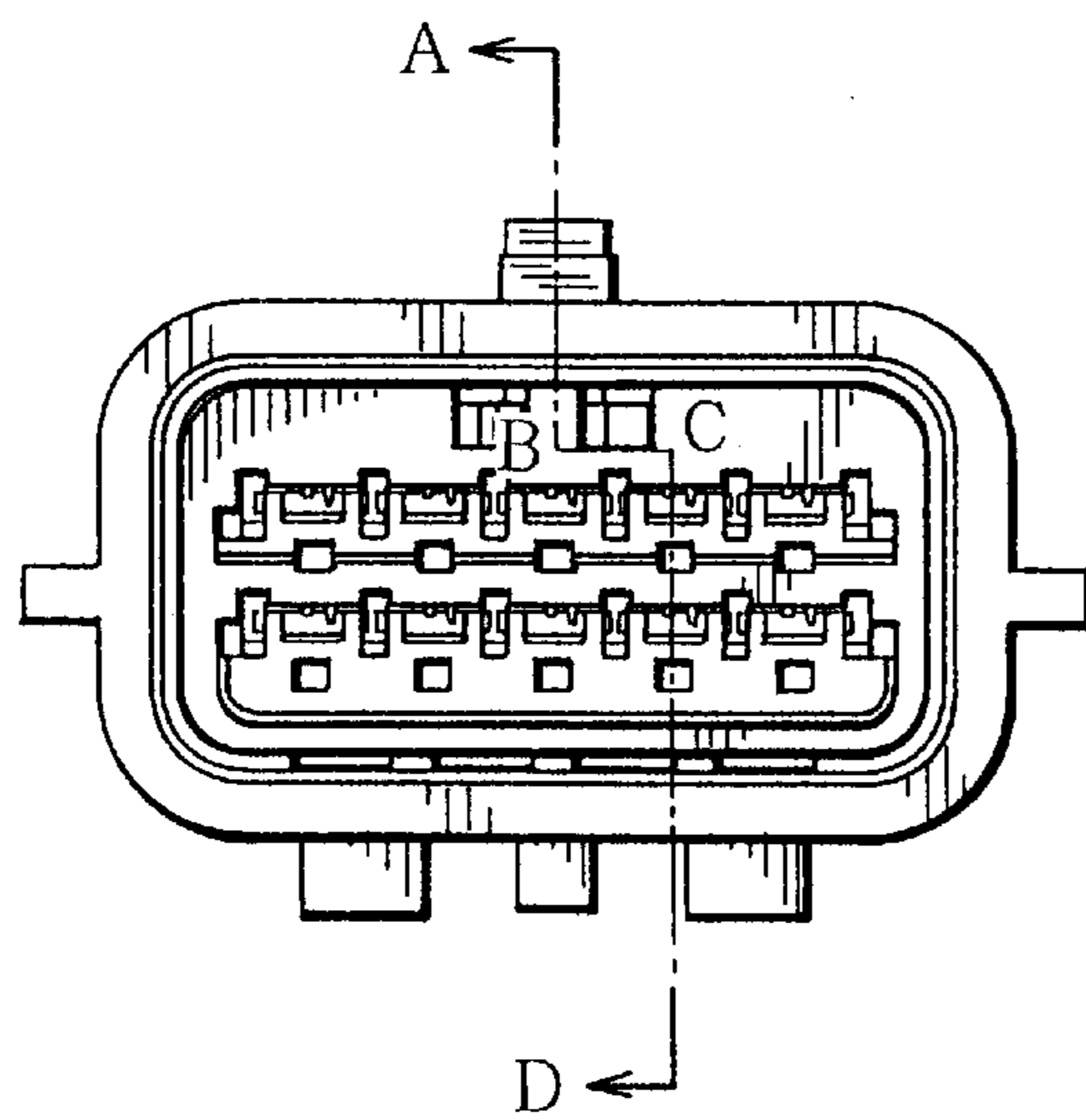
F I G . 6



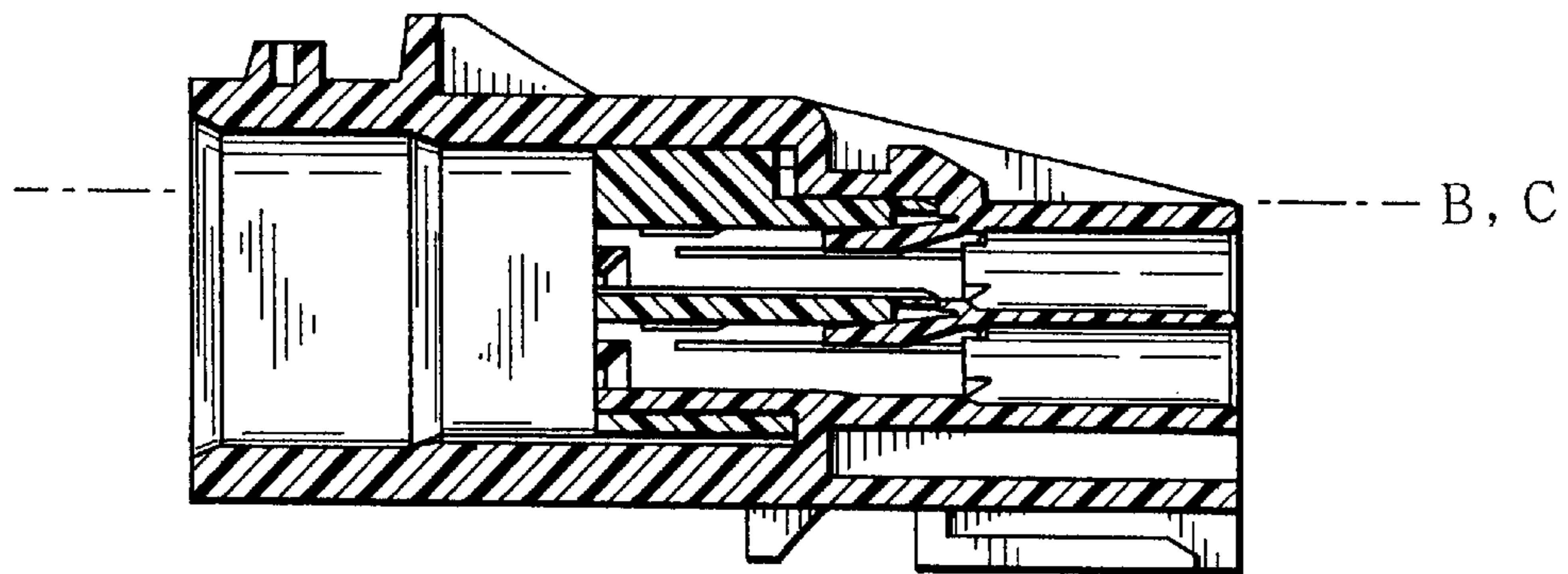
F I G . 7



F I G . 8



F I G . 9



F I G . 1 0

