



US00D472522S

(12) **United States Design Patent**
MacKay

(10) **Patent No.:** **US D472,522 S**

(45) **Date of Patent:** **** Apr. 1, 2003**

(54) **QUAD RECEPTACLE WITH OUTLET COVERS**

(75) **Inventor:** **Peter MacKay**, Warwick, RI (US)

(73) **Assignee:** **Tower Manufacturing Corporation**, Providence, RI (US)

(**) **Term:** **14 Years**

(21) **Appl. No.:** **29/161,735**

(22) **Filed:** **Jun. 4, 2002**

Related U.S. Application Data

(63) Continuation-in-part of application No. 29/150,666, filed on Nov. 28, 2001.

(51) **LOC (7) Cl.** **13-03**

(52) **U.S. Cl.** **D13/139.6**

(58) **Field of Search** D13/137.1-137.4, D13/138.1, 138.2, 139.1-139.8, 154-155, 160, 173, 184; 174/53, 66, 67; 361/42, 166, 191, 641, 658; 439/135, 136, 137, 140, 141, 152, 160, 164, 446, 477, 484, 521, 528, 535, 536, 650, 651, 652, 692-695, 736

(56) **References Cited**

U.S. PATENT DOCUMENTS

D320,568 S 10/1991 Black
5,541,457 A 7/1996 Morrow
D399,488 S 10/1998 Williams

OTHER PUBLICATIONS

Tripp-Lite LC 1800 TRP Line Conditioner Stabilizer, B.A. Pargh Spring/Summer 1991 Catalog, p. 486. Photocopies of Photographs of Quad Receptacle marketed by Designer's Edge and in existence at least prior to Nov. 15, 2001.

Primary Examiner—Robert M. Spear
(74) *Attorney, Agent, or Firm*—Kriegsman & Kriegsman

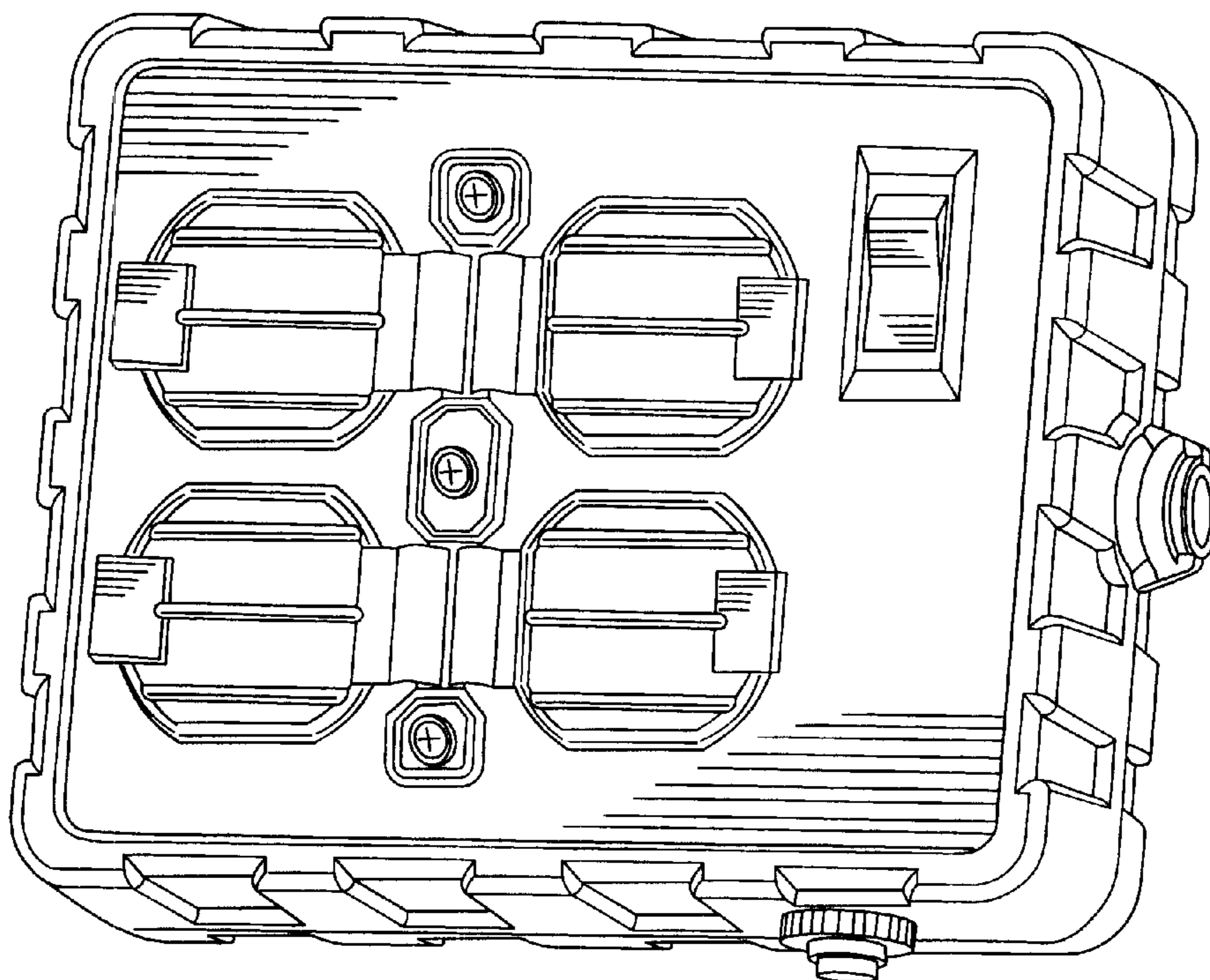
(57) **CLAIM**

The ornamental design for a quad receptacle with outlet covers, as shown and described.

DESCRIPTION

FIG. 1 is a front perspective view of a quad receptacle with outlet covers showing my new design;
FIG. 2 is a rear perspective view of the quad receptacle with outlet covers shown in FIG. 1;
FIG. 3 is a left side view of the quad receptacle with outlet covers shown in FIG. 1;
FIG. 4 is a top view of the quad receptacle with outlet covers shown in FIG. 1;
FIG. 5 is a right side of the quad receptacle with outlet covers shown in FIG. 1;
FIG. 6 is a bottom view of the quad receptacle with outlet covers shown in FIG. 1; and,
FIG. 7 is a rear view of the quad receptacle with outlet covers shown in FIG. 1.

1 Claim, 3 Drawing Sheets



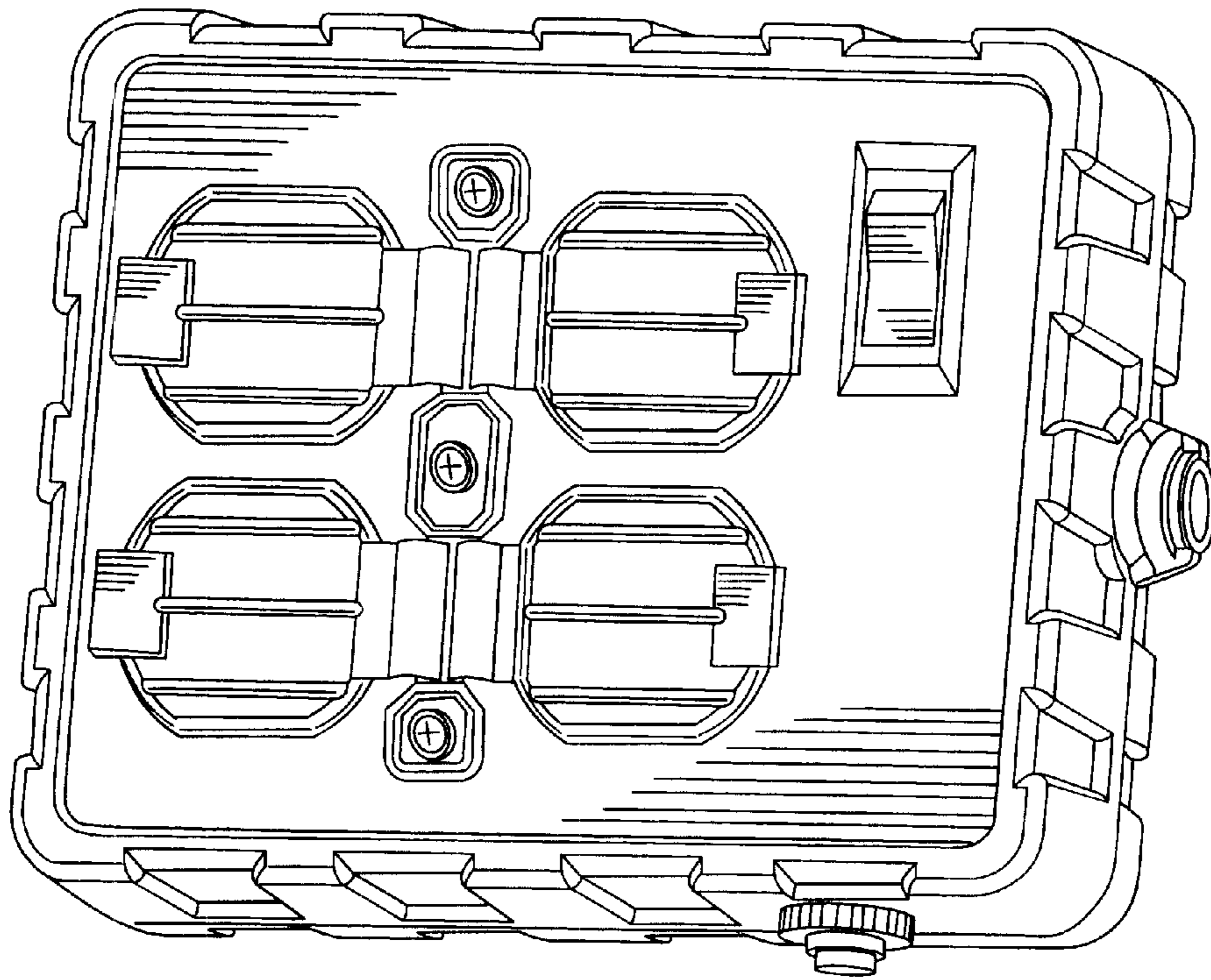


FIG. 1

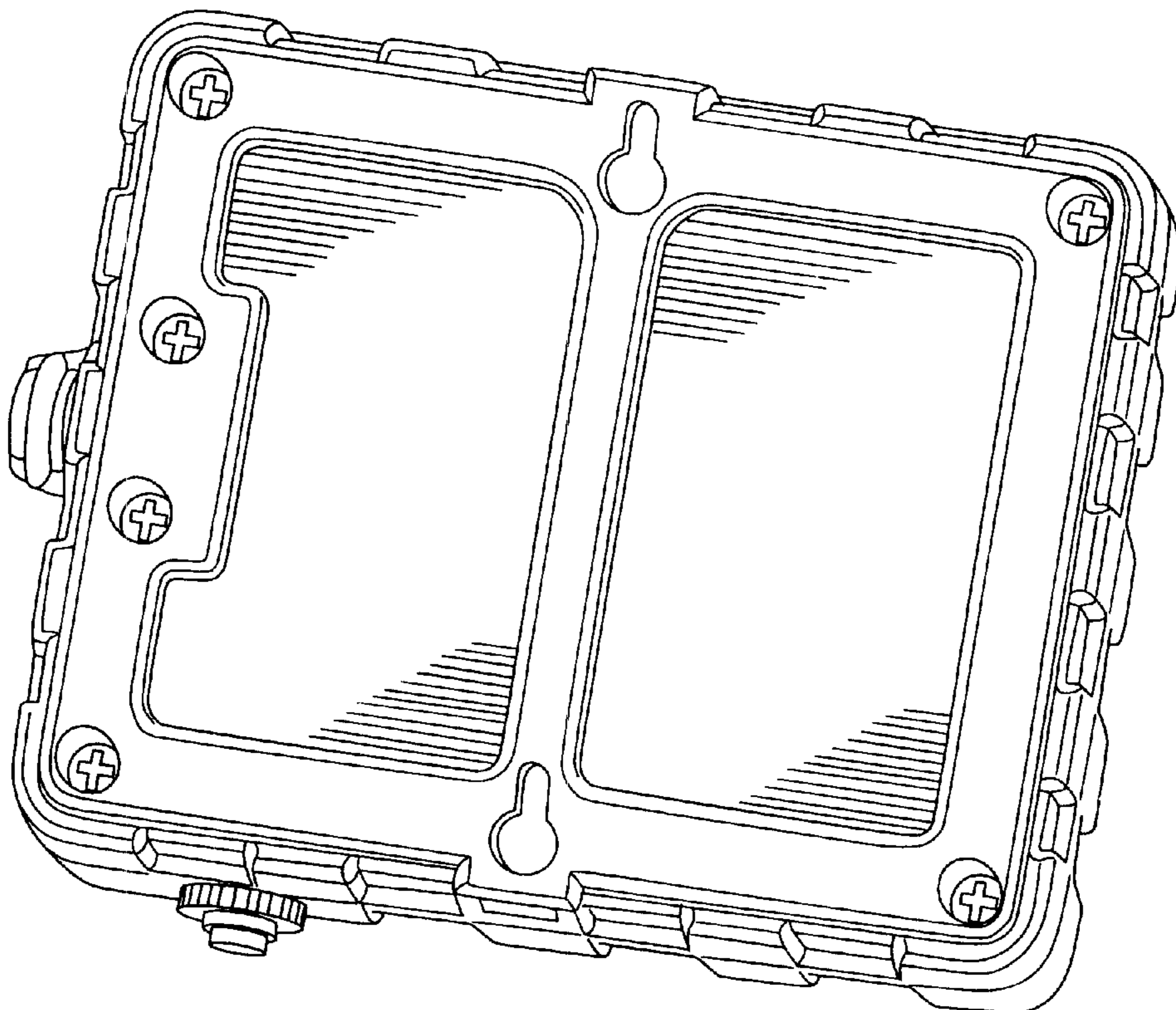


FIG. 2

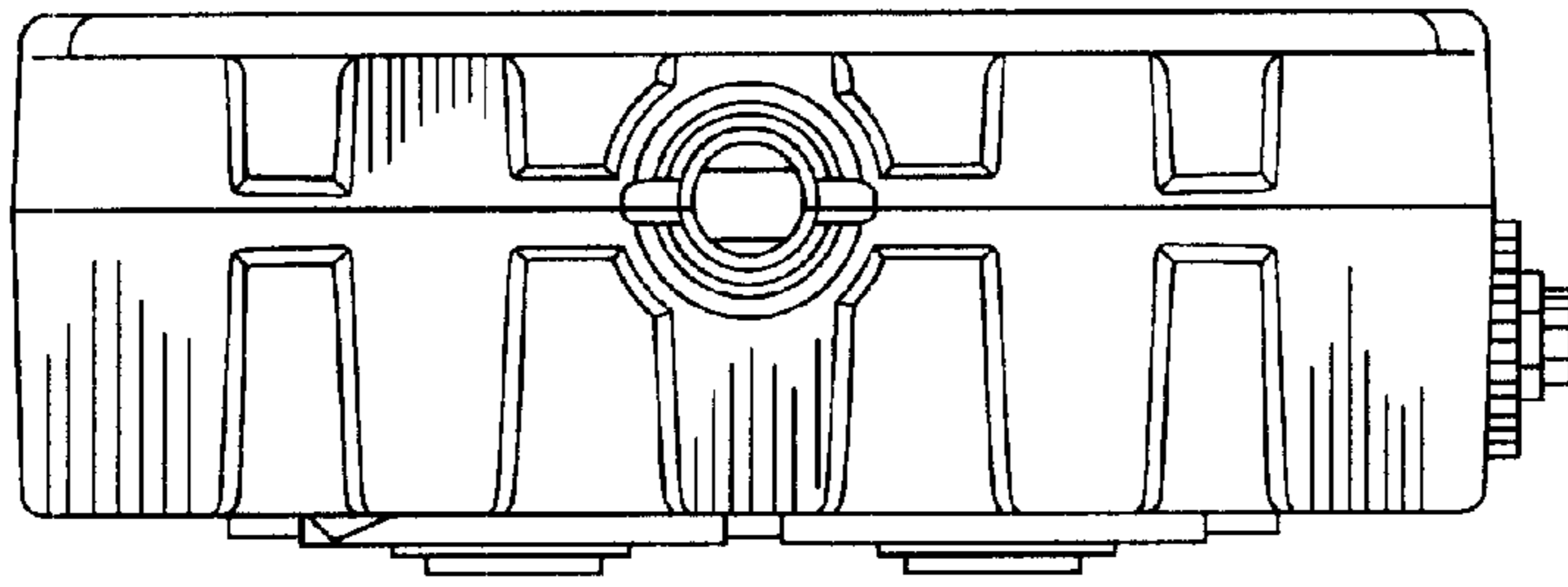


FIG. 5

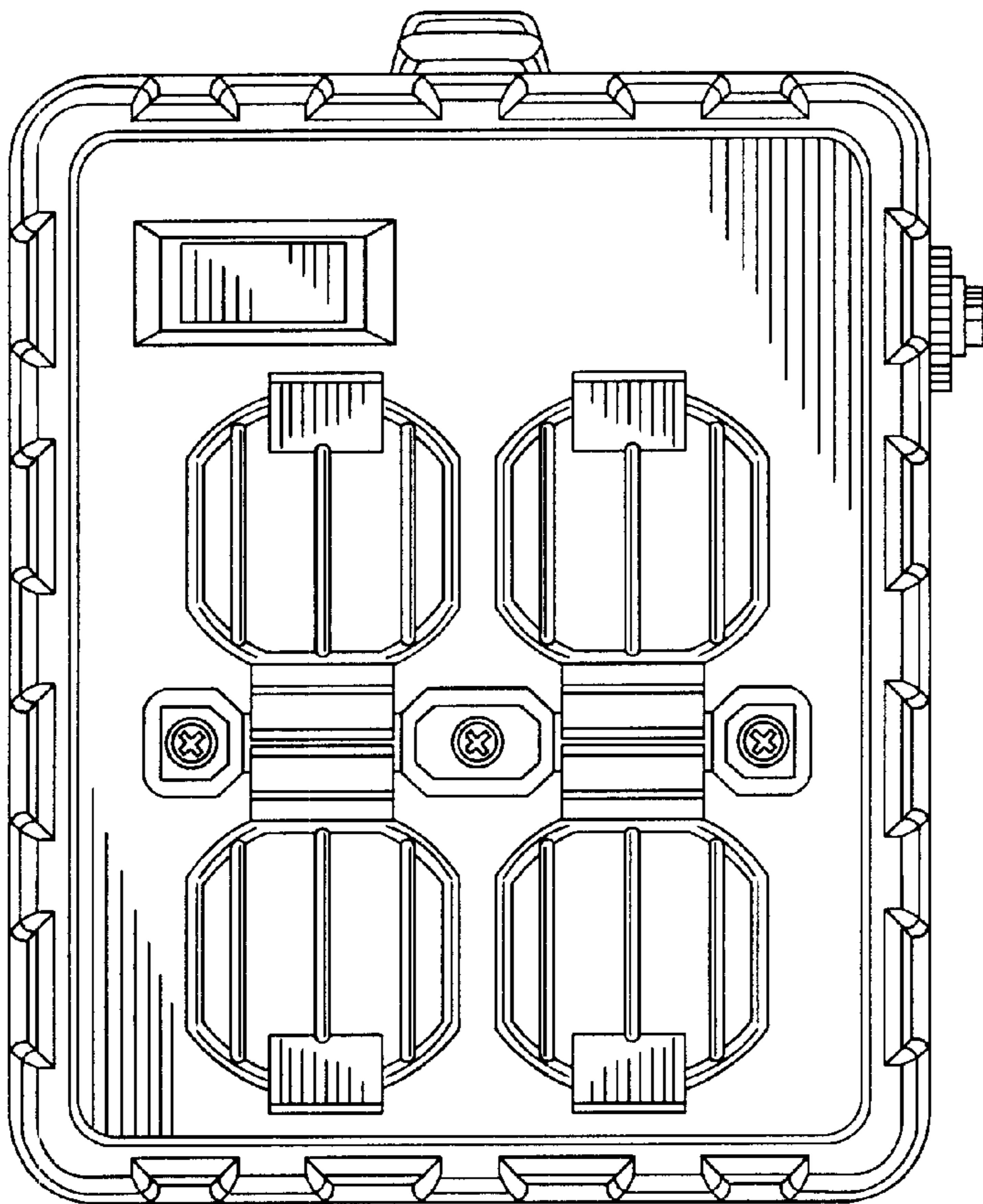


FIG. 4

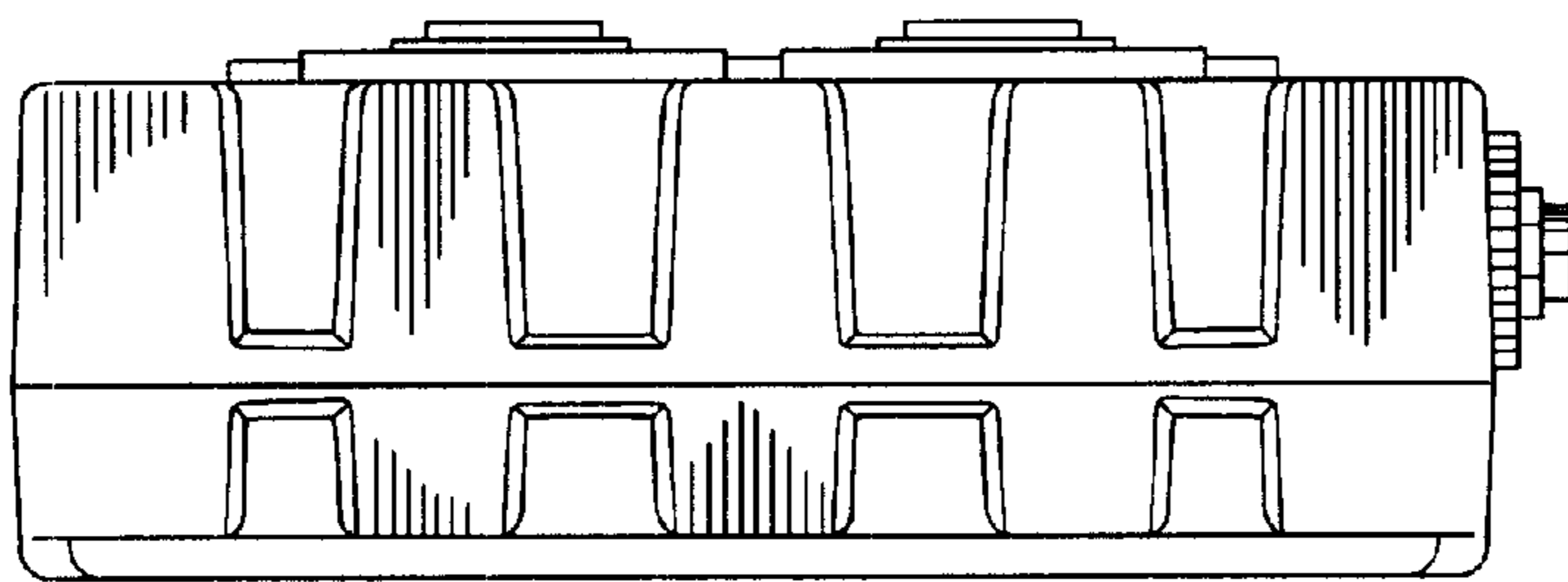


FIG. 3

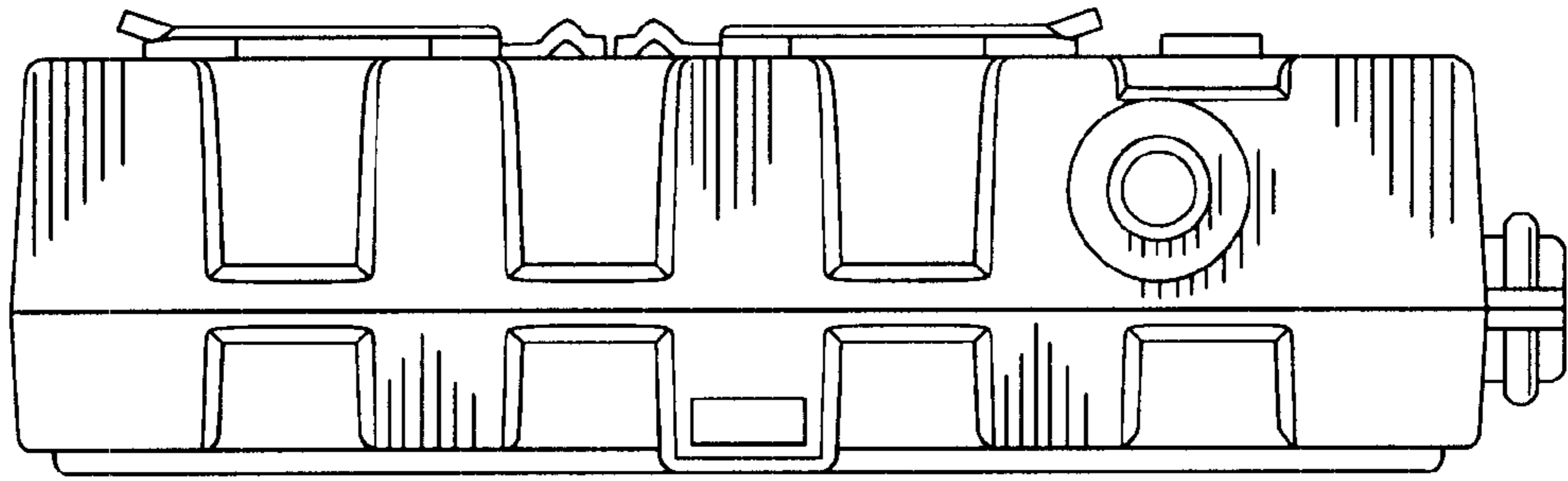


FIG. 6

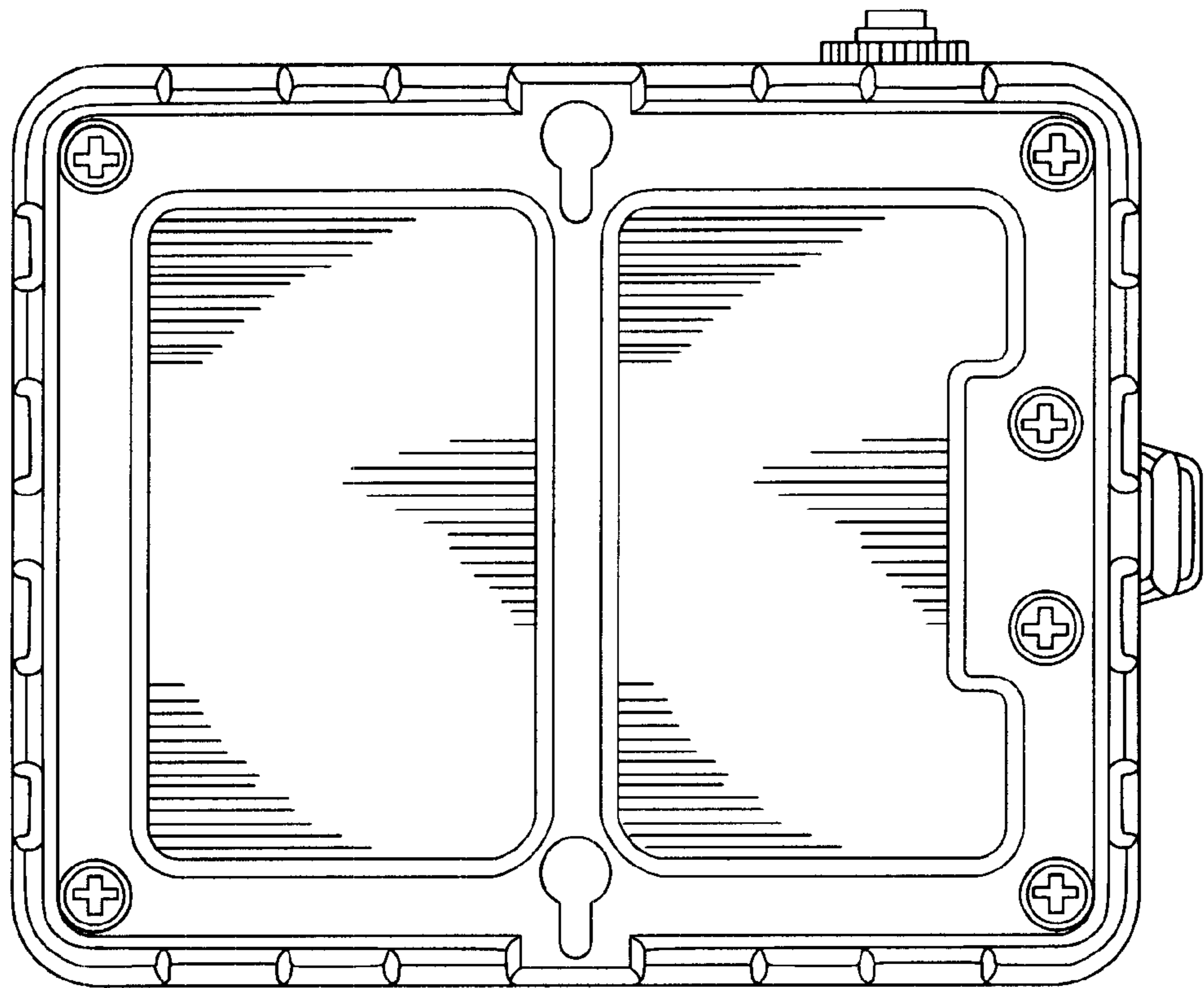


FIG. 7