



US00D472521S

(12) **United States Design Patent**  
**Giesbrecht**

(10) **Patent No.:** **US D472,521 S**

(45) **Date of Patent:** **\*\* Apr. 1, 2003**

(54) **RETRACTABLE ELECTRICAL CORD FOR AN AUTOMOBILE**

*Primary Examiner*—Jennifer Rivard  
(74) *Attorney, Agent, or Firm*—Gene Scott-Patent Law & Venture Group

(76) **Inventor:** **Stacey Edward Giesbrecht**, Box 713, MacGregor, Manitoba (CA), R0H 0R0

(57) **CLAIM**

(\*\*) **Term:** **14 Years**

The ornamental design for a “retractable electrical cord for an automobile”, as shown and described.

(21) **Appl. No.:** **29/160,444**

(22) **Filed:** **May 9, 2002**

**DESCRIPTION**

(51) **LOC (7) Cl.** ..... **13-03**

FIG. 1 is a front elevational view of a retractable electrical cord for an automobile, showing my new design;

(52) **U.S. Cl.** ..... **D13/137.4; D13/139.7**

FIG. 2 is a rear elevational view thereof;

(58) **Field of Search** ..... 191/12.2 R, 12.4;

FIG. 3 is a right side view thereof;

D13/137.4, 139.1–139.8; 439/501

FIG. 4 is a left side view thereof;

(56) **References Cited**

**U.S. PATENT DOCUMENTS**

D391,549 S \* 3/1998 Ness ..... D13/139.7

FIG. 5 is a bottom plan view thereof;

D448,730 S \* 10/2001 Lee ..... D13/137.4

FIG. 6 is a top plan view thereof;

6,346,006 B1 \* 2/2002 Smith ..... 439/501

FIG. 7 is a perspective view thereof; and,

FIG. 8 is an exploded perspective view thereof.

\* cited by examiner

**1 Claim, 7 Drawing Sheets**

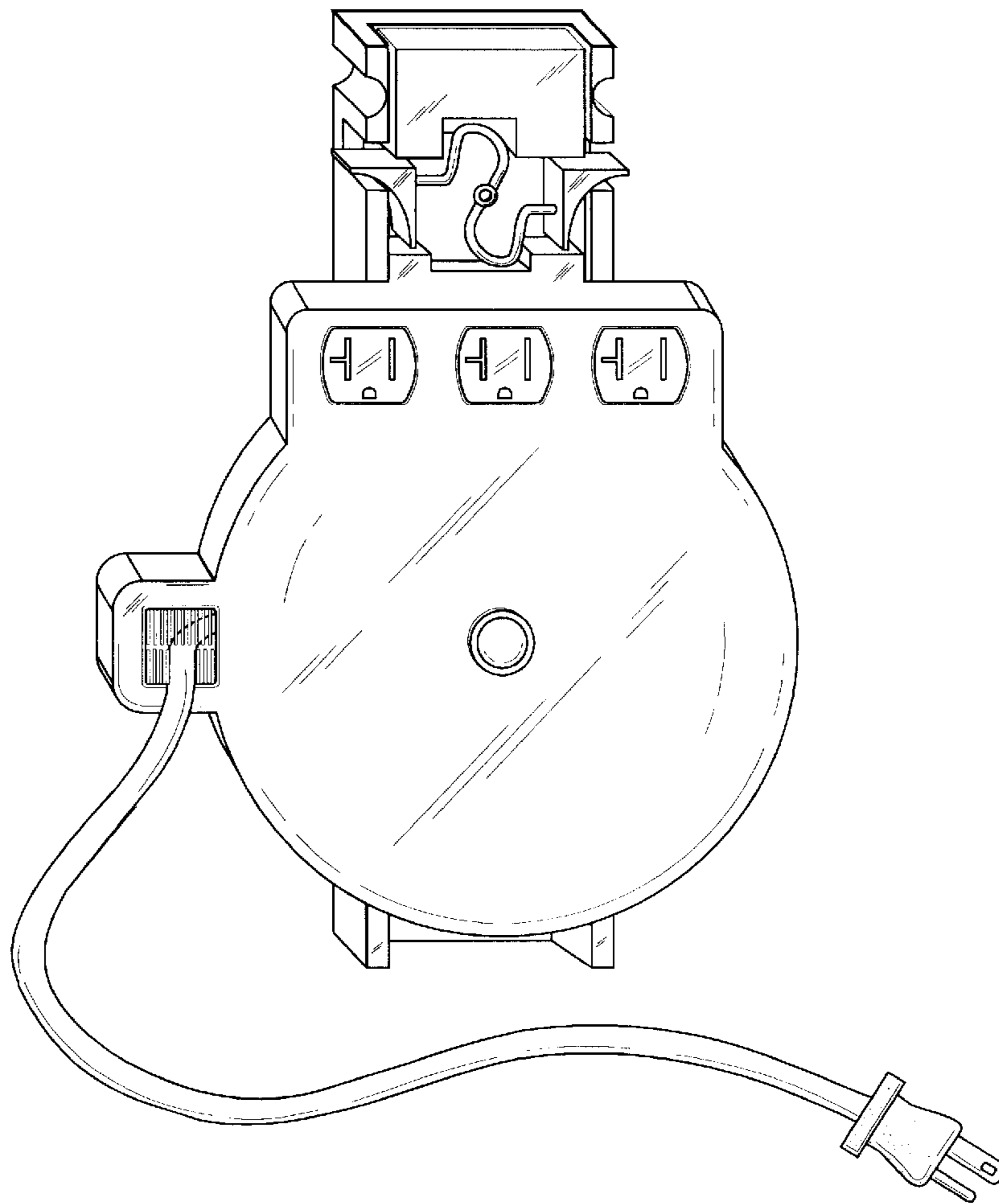


Fig. 1

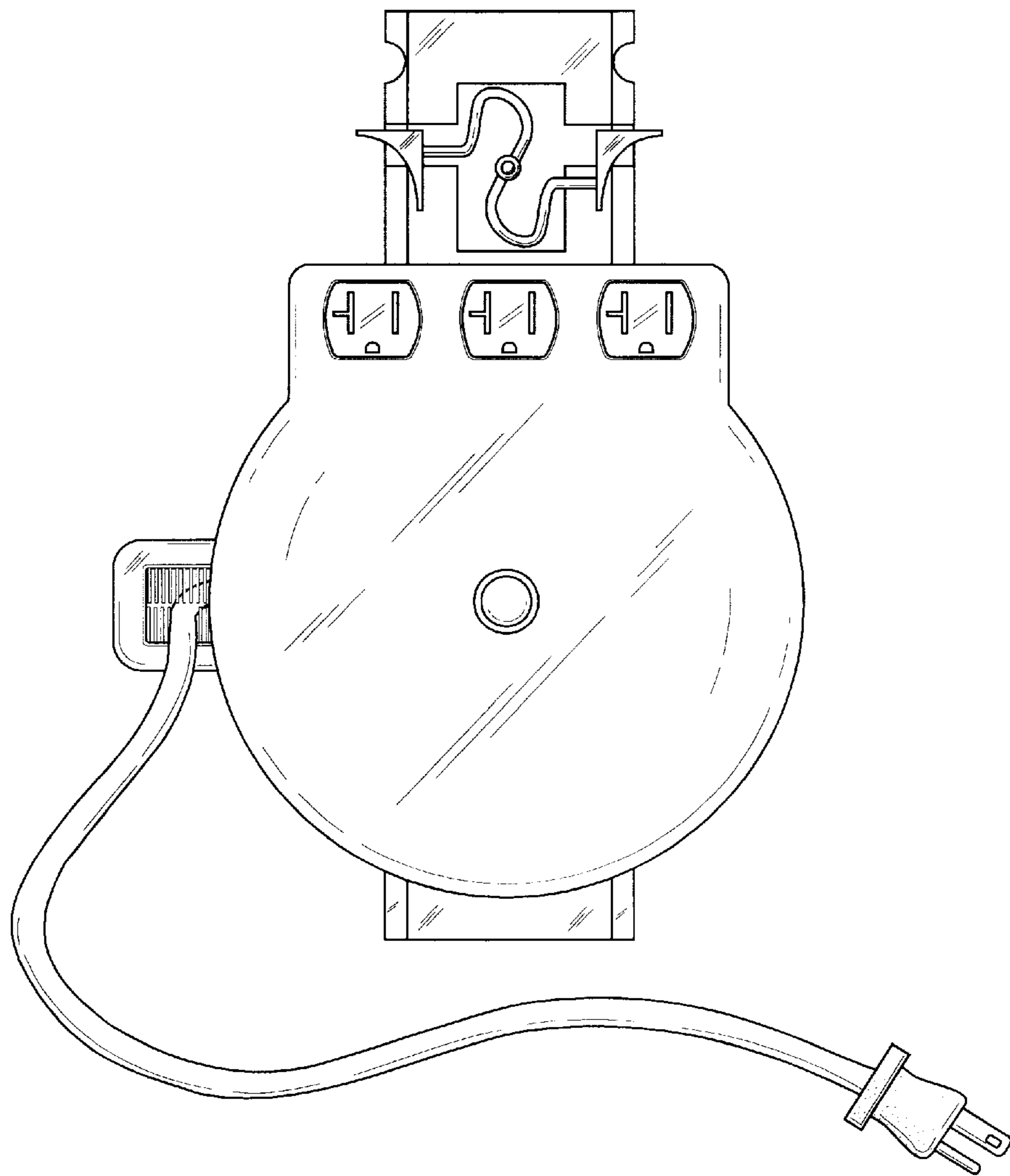


Fig. 2

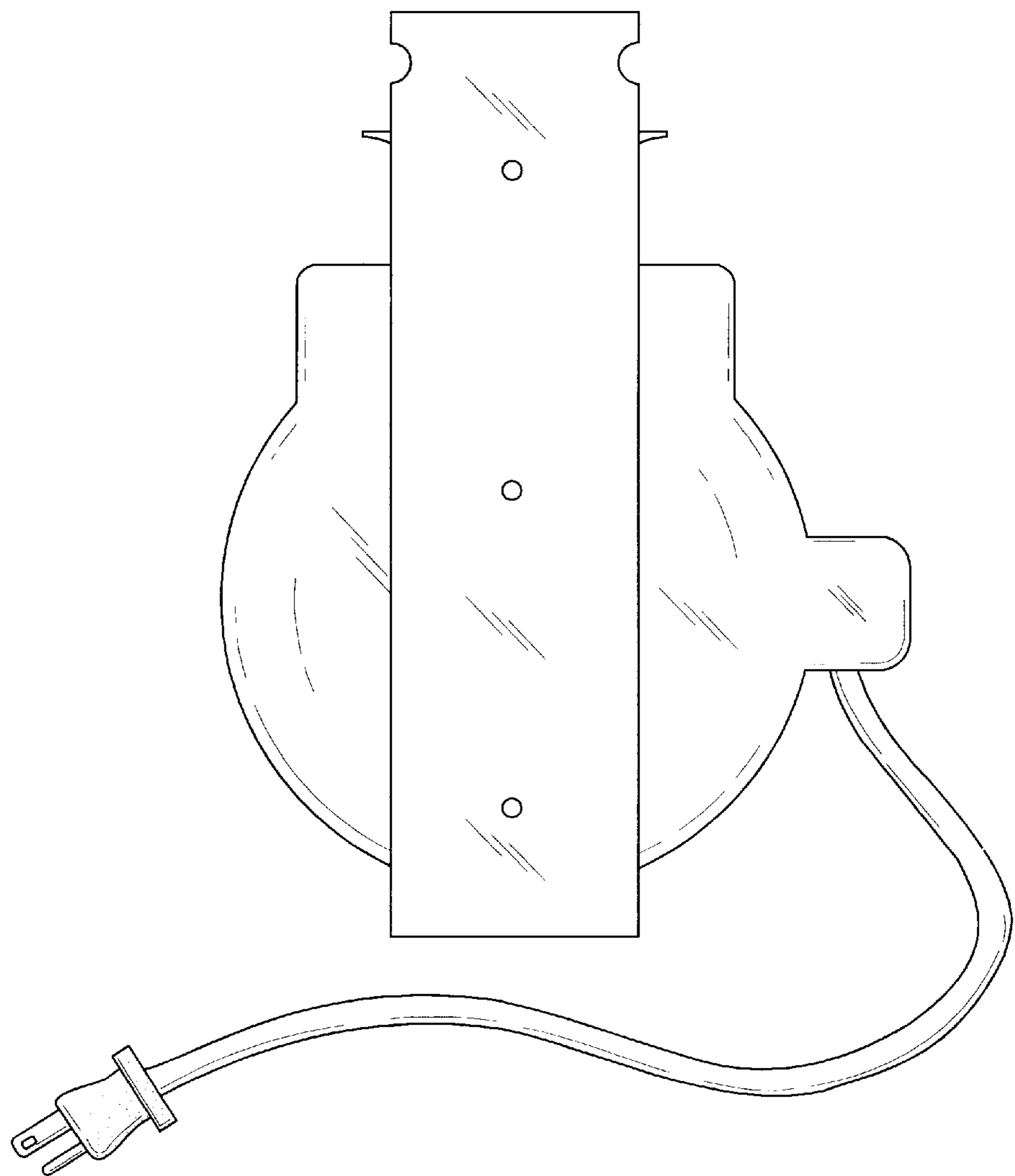


Fig. 3

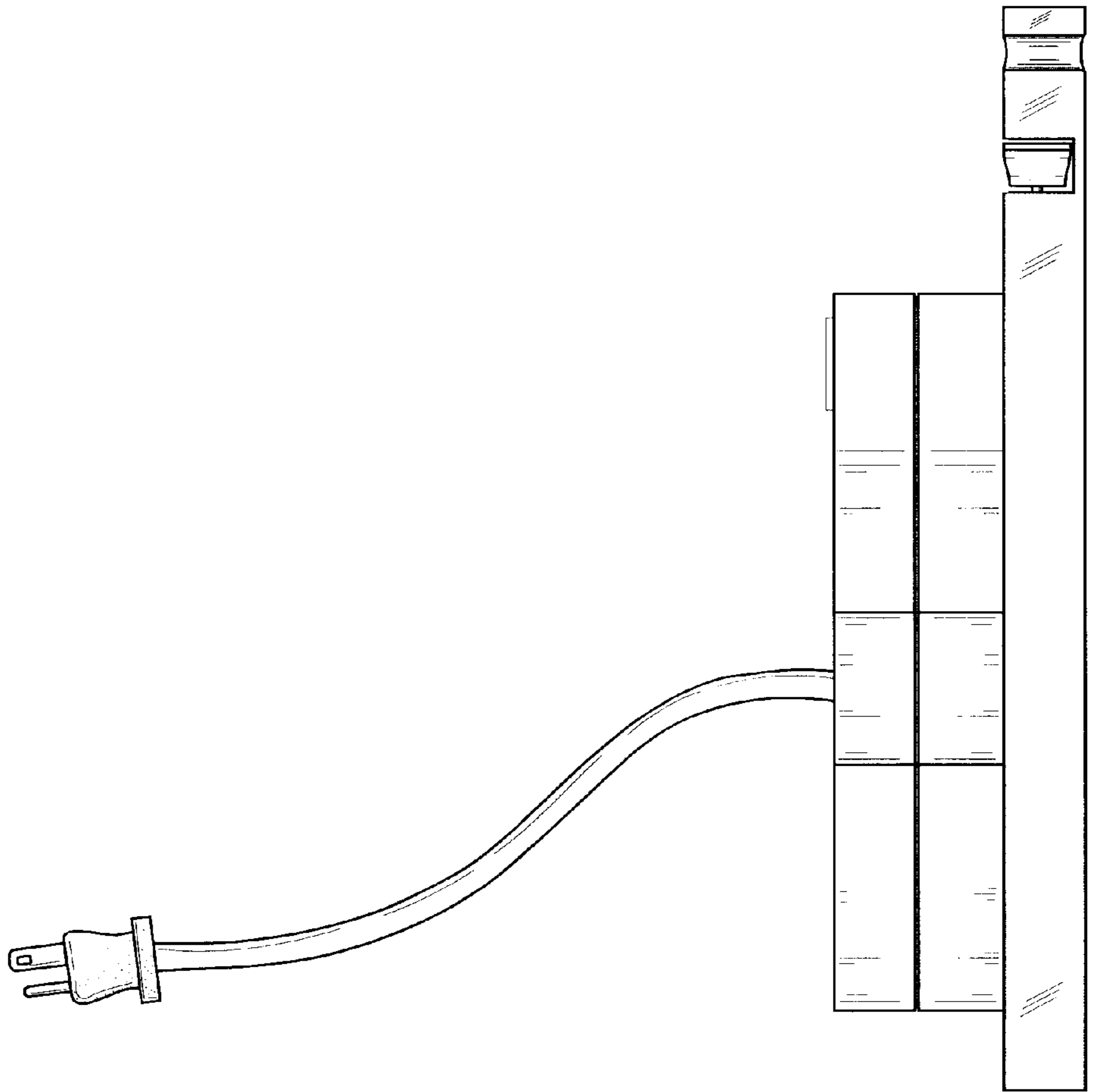


Fig. 4

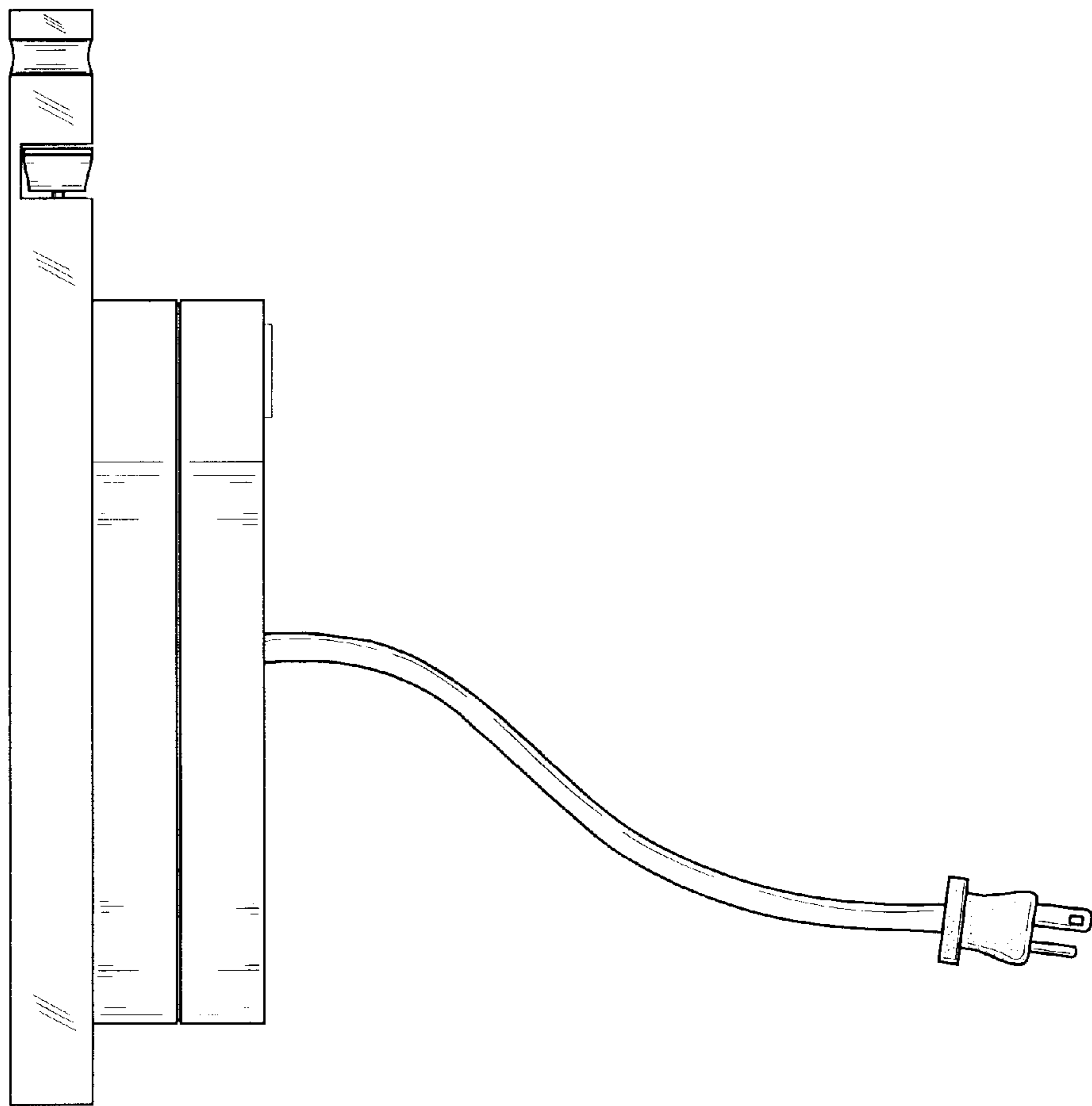


Fig. 5

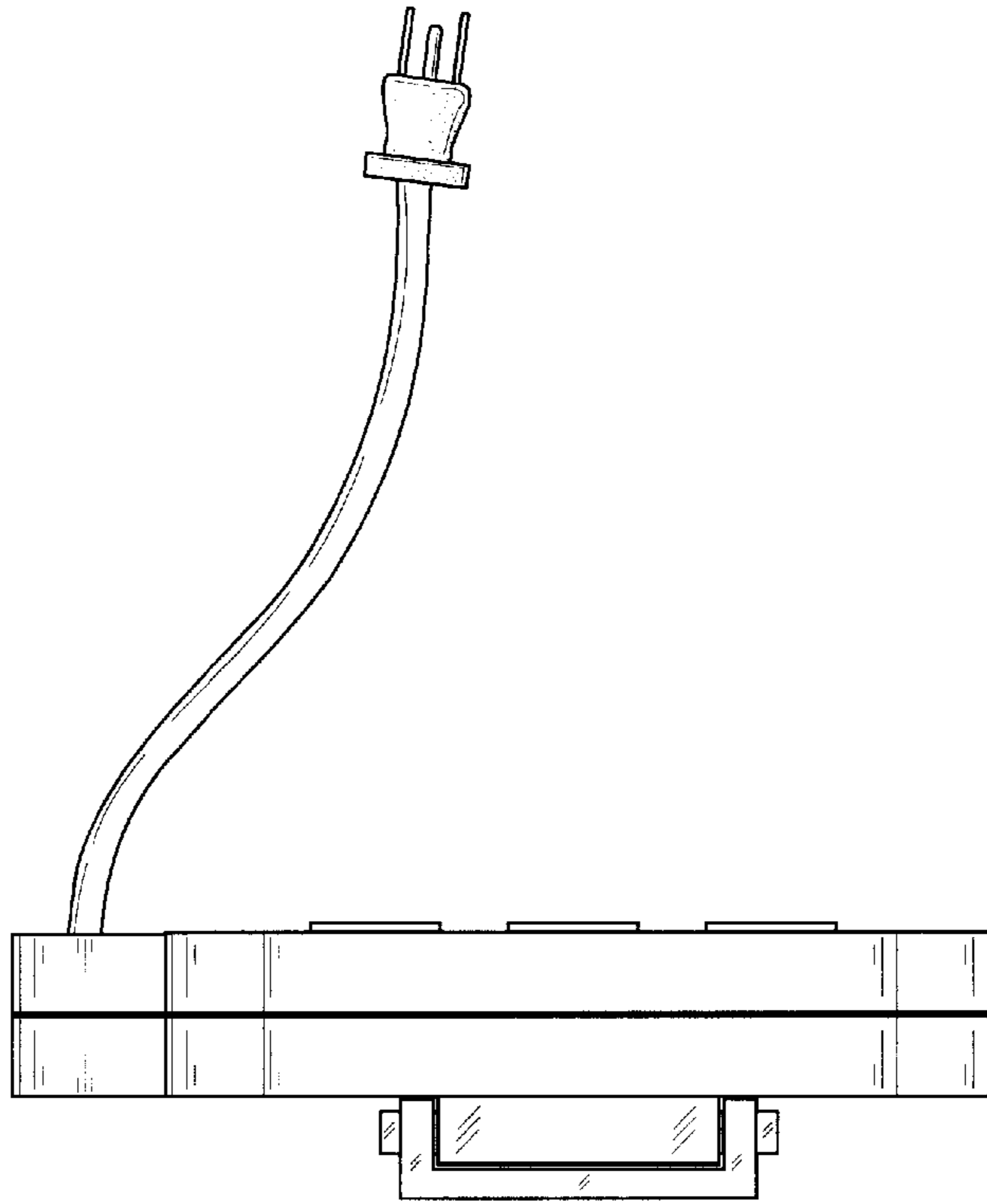


Fig. 6

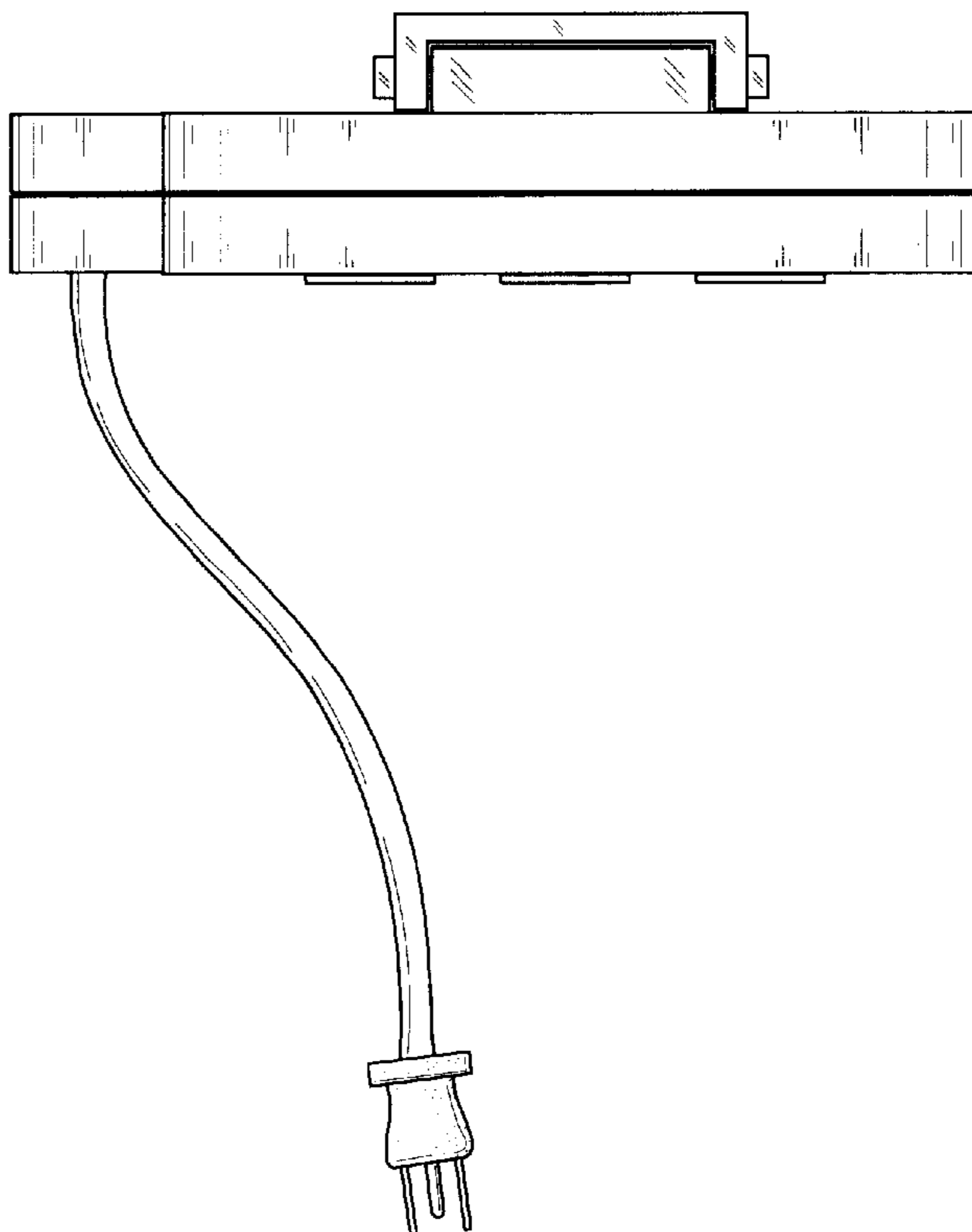


Fig. 7

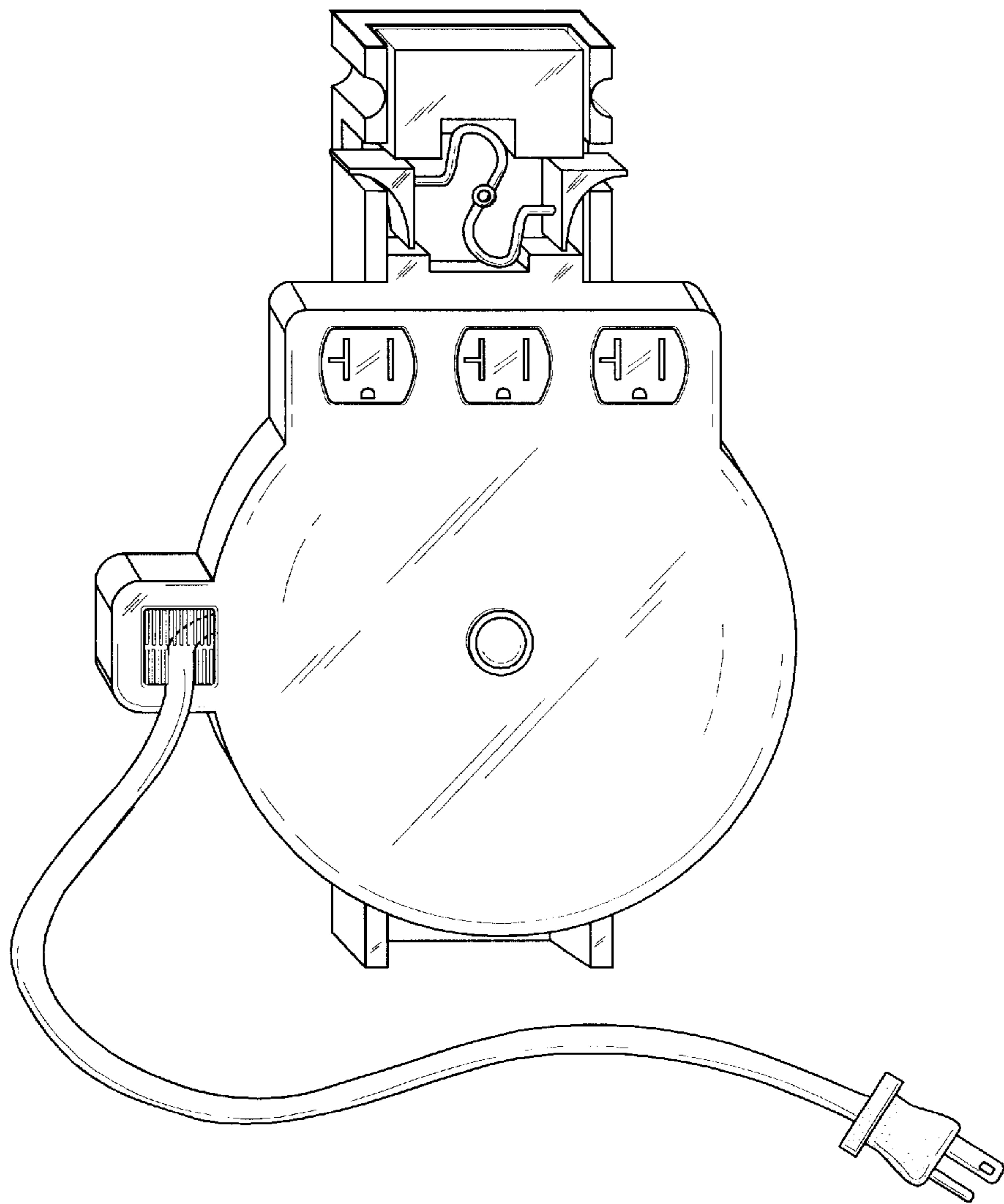


Fig. 8

