



US00D472509S

(12) **United States Design Patent**
Laengerer

(10) **Patent No.:** **US D472,509 S**

(45) **Date of Patent:** **** Apr. 1, 2003**

(54) **FRONT FACE OF A VEHICLE WHEEL**

(75) **Inventor:** **Marcus Laengerer, Renningen (DE)**

(73) **Assignee:** **DaimlerChrysler AG, Stuttgart (DE)**

(**) **Term:** **14 Years**

(21) **Appl. No.:** **29/150,781**

(22) **Filed:** **Nov. 30, 2001**

(30) **Foreign Application Priority Data**

Jun. 8, 2001 (DE) 4 01 05 083

(51) **LOC (7) Cl.** **12-16**

(52) **U.S. Cl.** **D12/209**

(58) **Field of Search** D12/204-211;
301/37.101, 64.101, 65

(56) **References Cited**

U.S. PATENT DOCUMENTS

D351,582 S	*	10/1994	Echazabel et al.	D12/209
D371,100 S	*	6/1996	Hatter	D12/209
D375,716 S	*	11/1996	Dehner	D12/209
D384,022 S	*	9/1997	Hatter	D12/209
D384,630 S	*	10/1997	Bhambra	D12/209
D384,929 S	*	10/1997	Neeper	D12/209
D388,390 S	*	12/1997	Chung	D12/209
D390,180 S	*	2/1998	Dehner	D12/209
D398,274 S	*	9/1998	Hartmann, Jr.	D12/209
D400,153 S	*	10/1998	Bhambra	D12/209
D402,249 S	*	12/1998	Kulla	D12/209
D408,003 S	*	4/1999	Sacco et al.	D12/209

D409,966 S	*	5/1999	Chung	D12/209
D419,126 S	*	1/2000	Hartmann, Jr.	D12/209
D425,470 S	*	5/2000	Pfeiffer et al.	D12/209
D430,841 S	*	9/2000	Tanghetti	D12/209
D441,338 S	*	5/2001	Hussaini et al.	D12/209
D445,749 S	*	7/2001	Kuninari et al.	D12/209
D451,062 S	*	11/2001	Yoshida	D12/209
D451,063 S	*	11/2001	Yoshida	D12/209
D451,065 S	*	11/2001	Braun	D12/211
D455,693 S	*	4/2002	Sato et al.	D12/209
D461,153 S	*	8/2002	Koyama	D12/209

* cited by examiner

Primary Examiner—Stacia Cadmus

(74) *Attorney, Agent, or Firm*—Crowell & Moring LLP

(57) **CLAIM**

The ornamental design for a front face of a vehicle wheel, as shown and described.

DESCRIPTION

FIG. 1 is a front view of a first embodiment of a front face of a vehicle wheel according to my novel design;

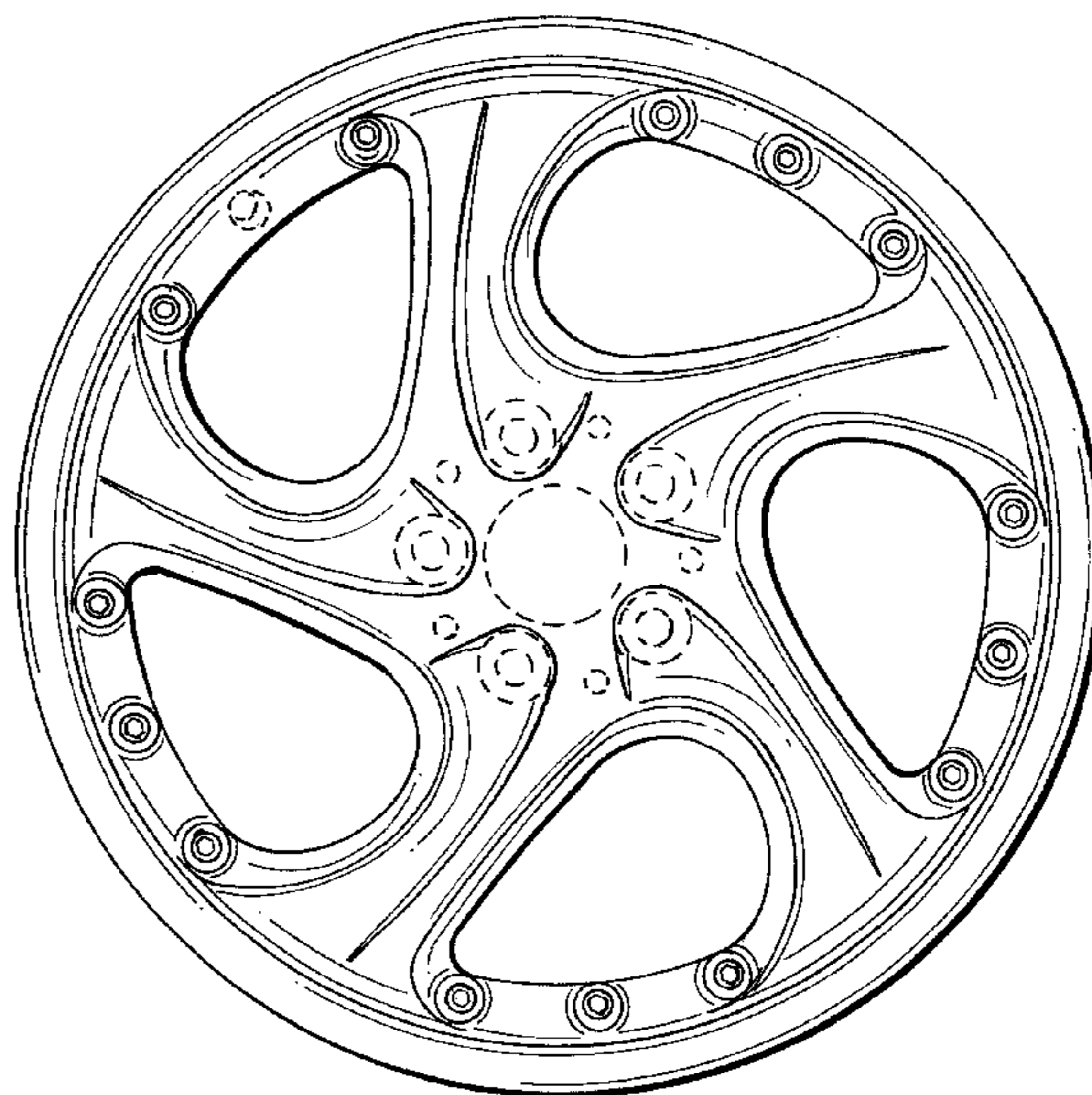
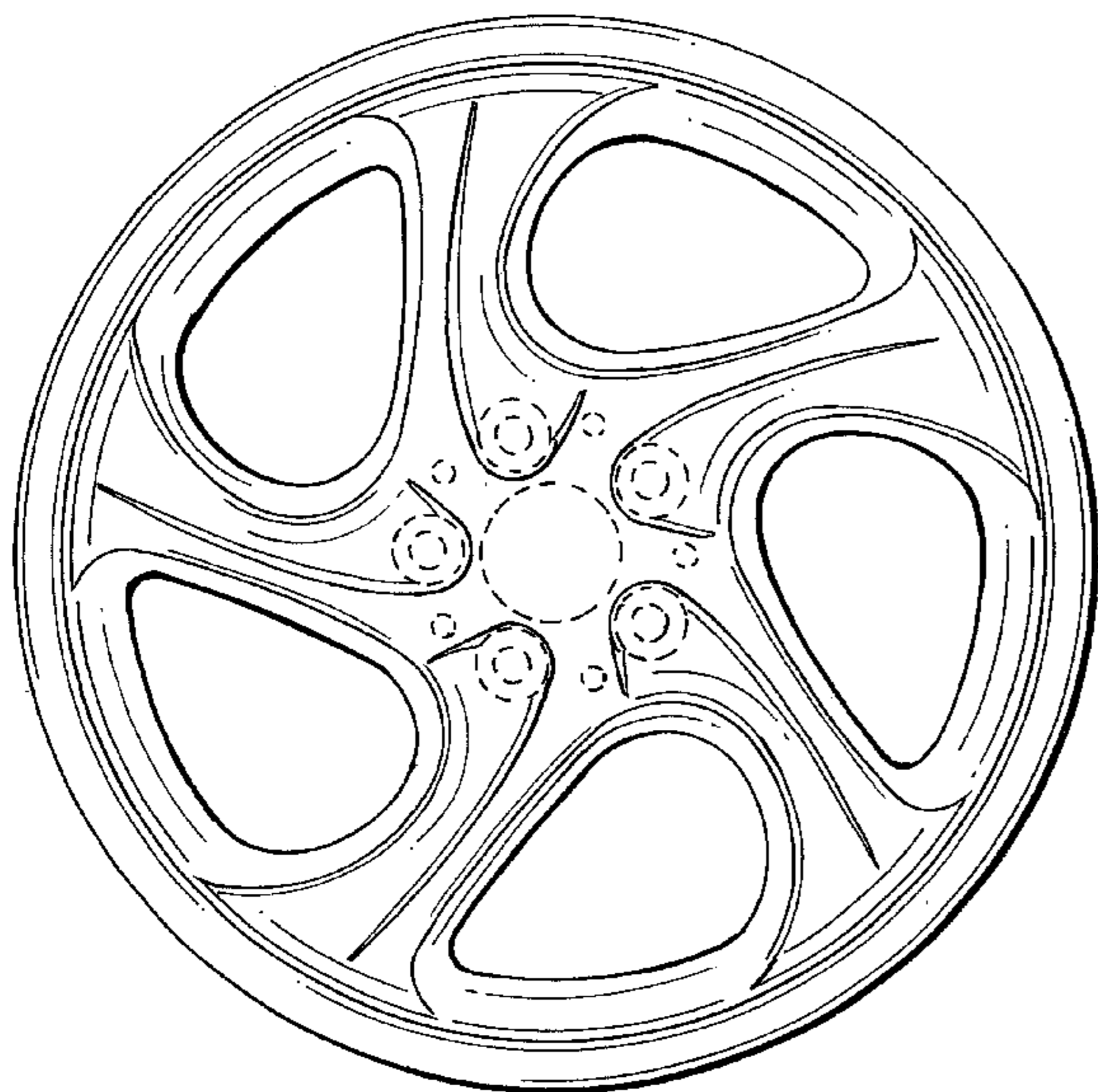
FIG. 2 is a perspective view of the first embodiment of the front face of a vehicle wheel according to my novel design;

FIG. 3 is a front view of a second embodiment of the front face of a vehicle wheel according to my novel design; and,

FIG. 4 is a perspective view of the second embodiment of the front face of a vehicle wheel according to my novel design.

The dash lines included depict environment and are not part of the claimed design.

1 Claim, 2 Drawing Sheets



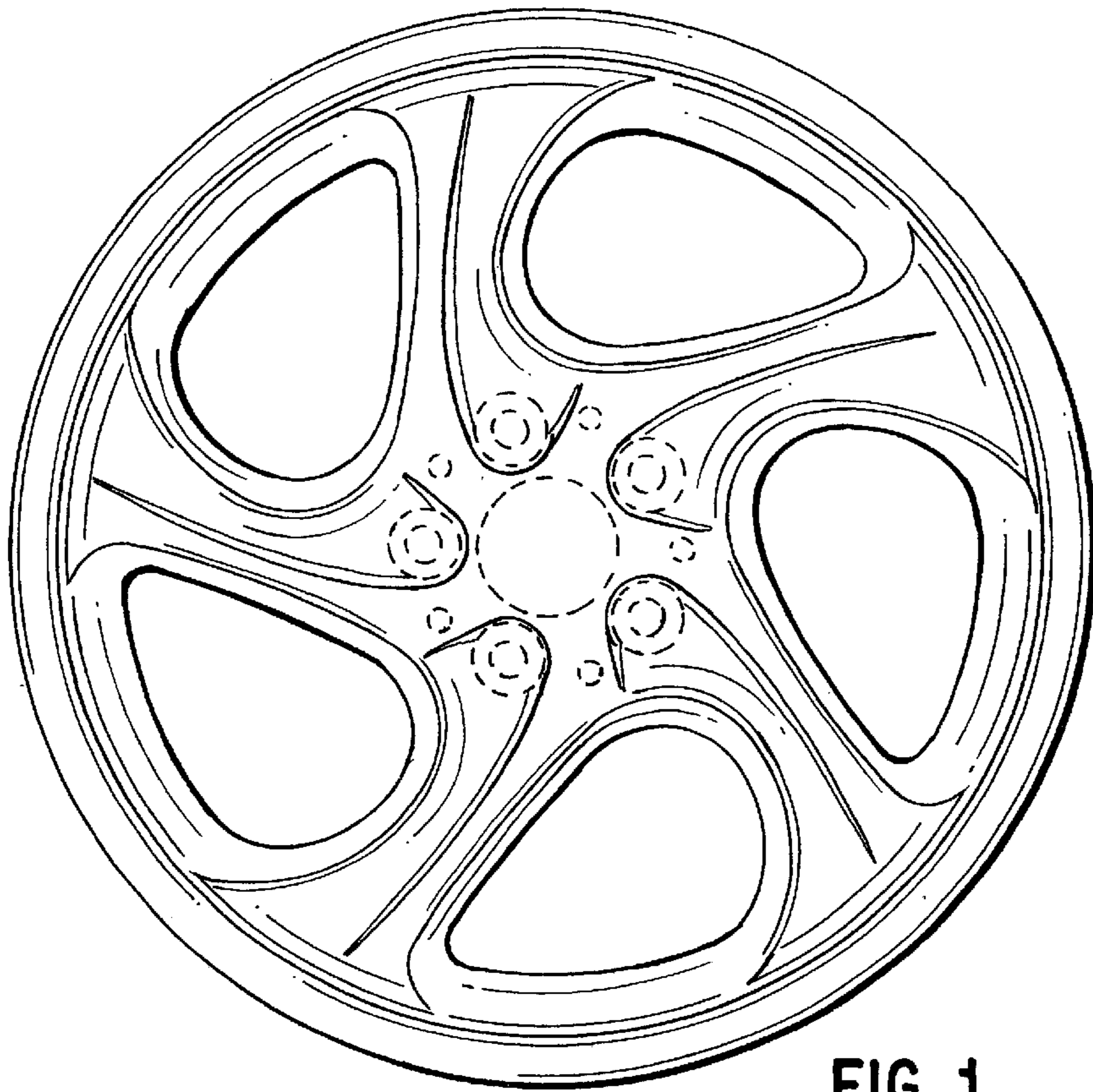


FIG. 1

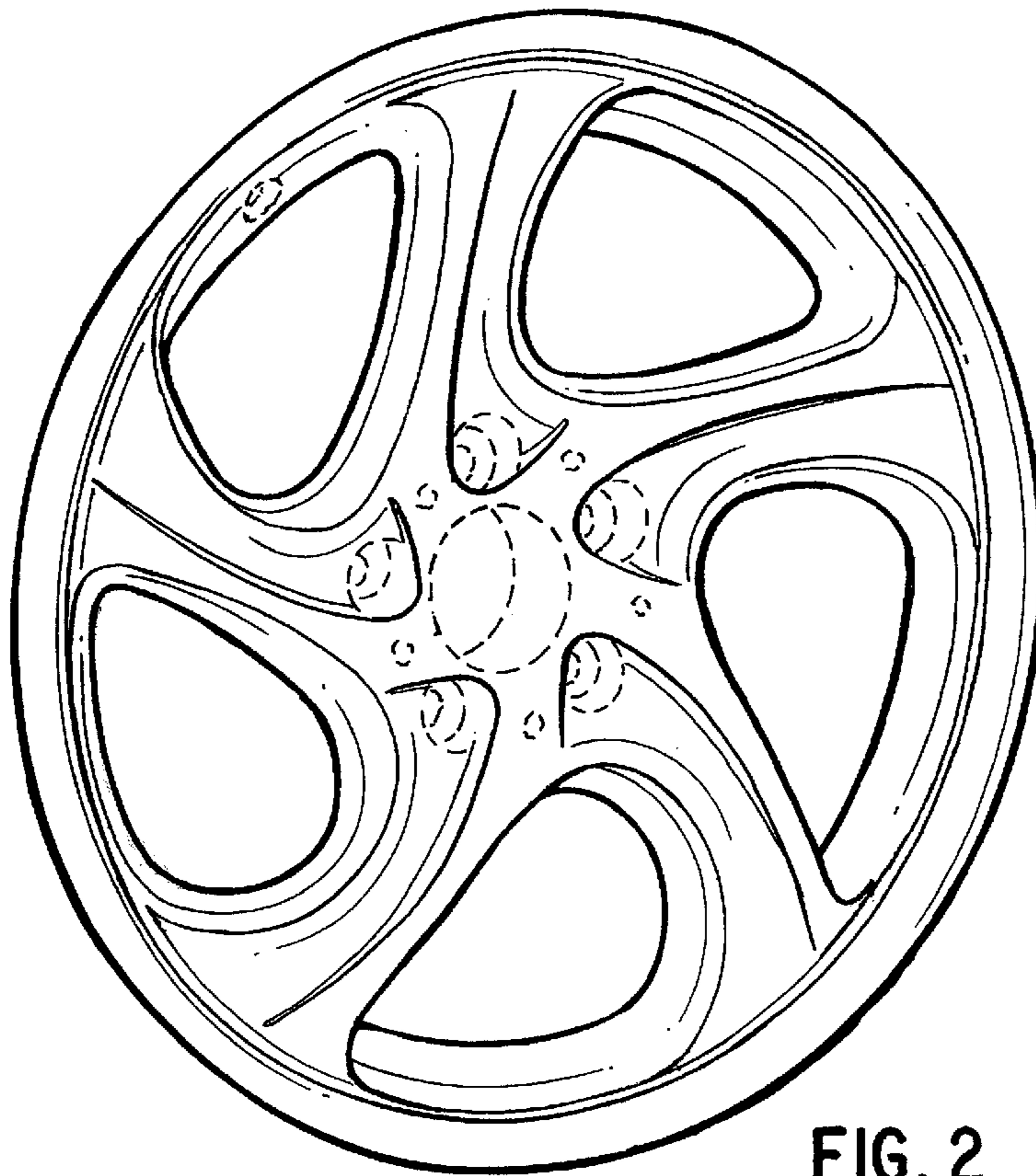


FIG. 2

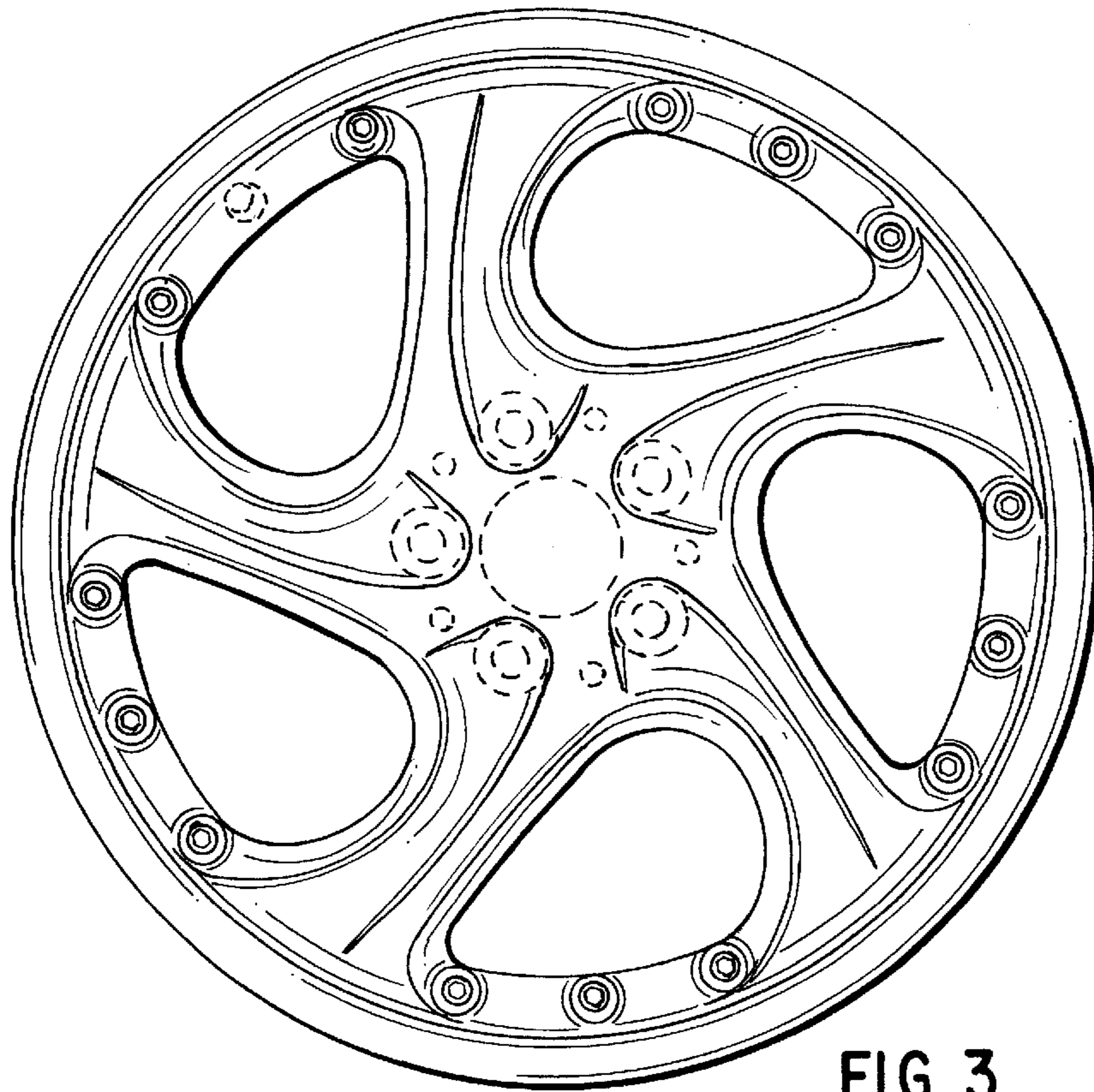


FIG. 3

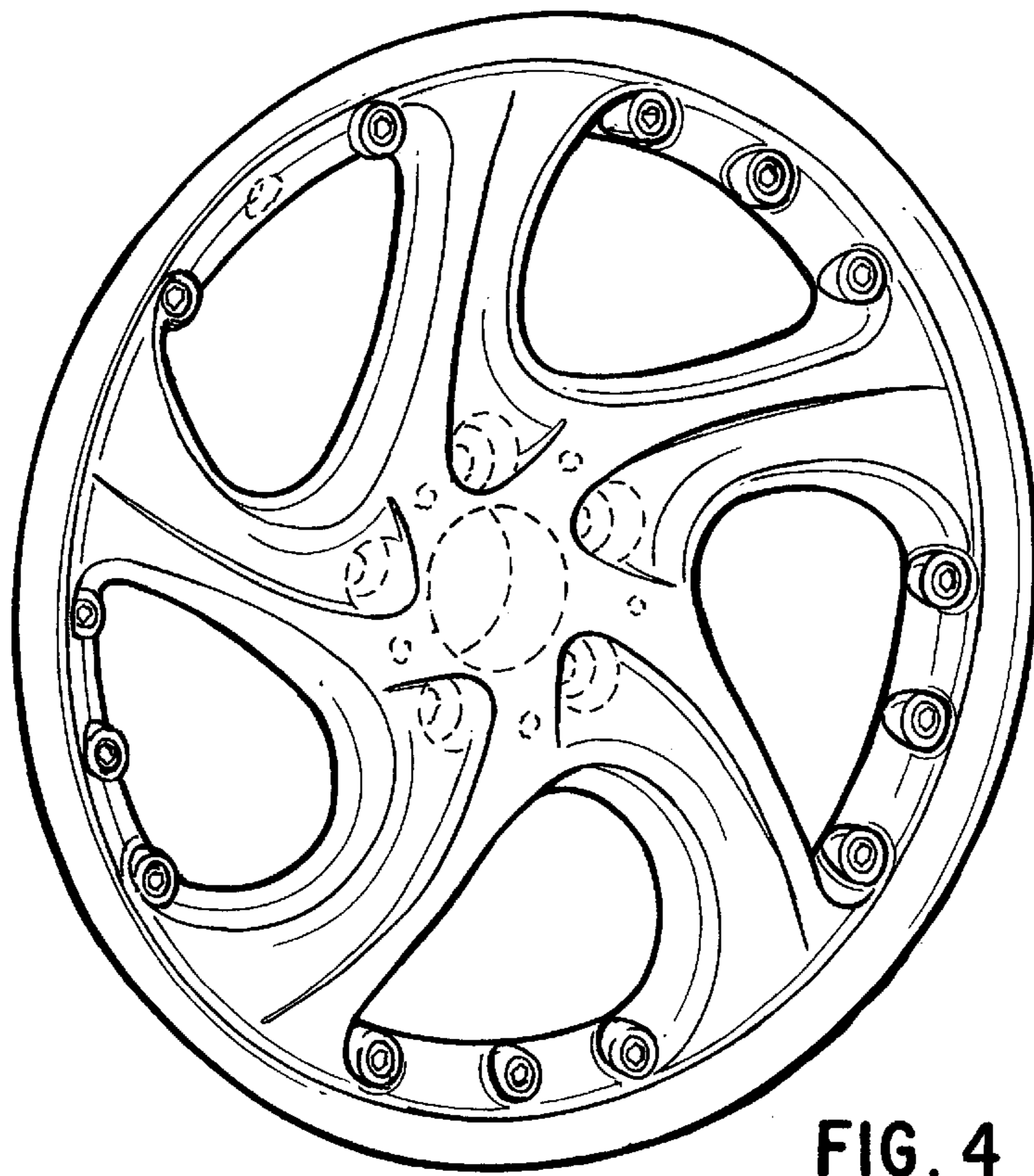


FIG. 4