



US00D472506S

(12) **United States Design Patent**
Wiedeman et al.

(10) **Patent No.:** **US D472,506 S**

(45) **Date of Patent:** **** Apr. 1, 2003**

(54) **INSTRUMENT GAUGE**

(75) Inventors: **Michael Wiedeman**, Manhattan Beach, CA (US); **Michael Tsay**, Irving, CA (US); **John Norman**, Venice, CA (US); **Mami Endo**, Redondo Beach, CA (US)

(73) Assignee: **Honda R&D Americas, Inc.**,
Raymond, OH (US)

(**) Term: **14 Years**

(21) Appl. No.: **29/152,759**

(22) Filed: **Jan. 2, 2002**

(51) **LOC (7) Cl.** **12-16**

(52) **U.S. Cl.** **D12/192; D12/174**

(58) **Field of Search** **D12/174, 192;**
D10/103, 98, 125; 296/70; 340/466, 67;
180/90

(56) **References Cited**

U.S. PATENT DOCUMENTS

- D423,433 S 4/2000 Micelli et al.
- D440,910 S * 4/2001 Blackburn, Jr. D12/192
- D450,023 S * 11/2001 Rayburn D12/192

- D450,282 S * 11/2001 Sauter D12/192
- D456,754 S * 5/2002 Keating D12/192
- D461,437 S * 8/2002 Hofman D12/192

* cited by examiner

Primary Examiner—Melody N Brown

(74) *Attorney, Agent, or Firm*—Banner & Witcoff, Ltd.

(57) **CLAIM**

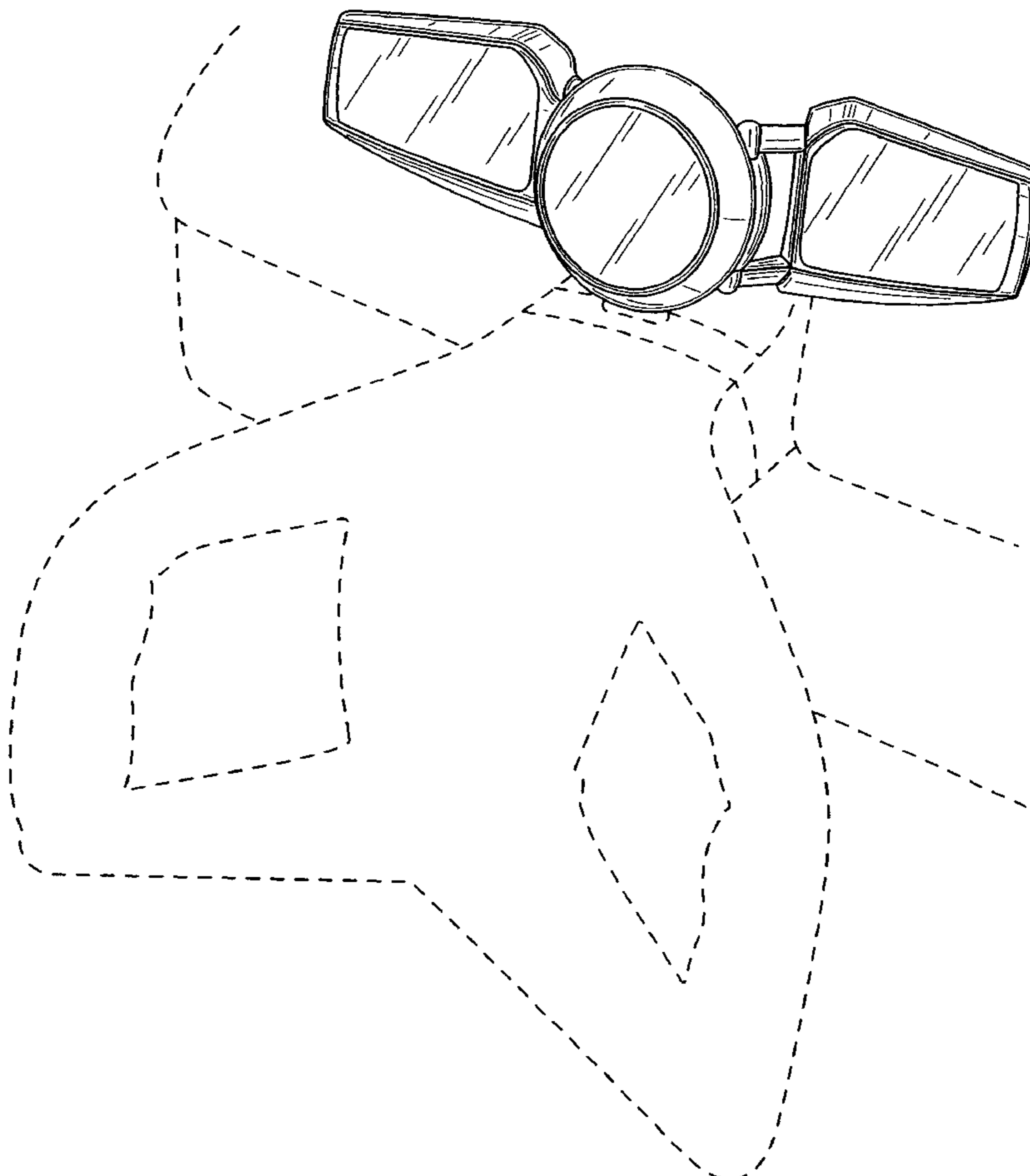
The ornamental design for an instrument gauge, as shown and described.

DESCRIPTION

FIG. 1 is a front perspective view of the instrument gauge showing our new design;
FIG. 2 is a side perspective view thereof;
FIG. 3 is a rear perspective view thereof;
FIG. 4 is a front elevational view thereof;
FIG. 5 is a top plan view thereof; and,
FIG. 6 is side elevational view thereof.

The broken line showings of the steering wheel, vehicle interior, and instrument gauge support in FIG. 1, and the broken line showings of the instrument gauge support in the remaining figures, are for illustrative purposes only and form no part of the claimed design.

1 Claim, 6 Drawing Sheets



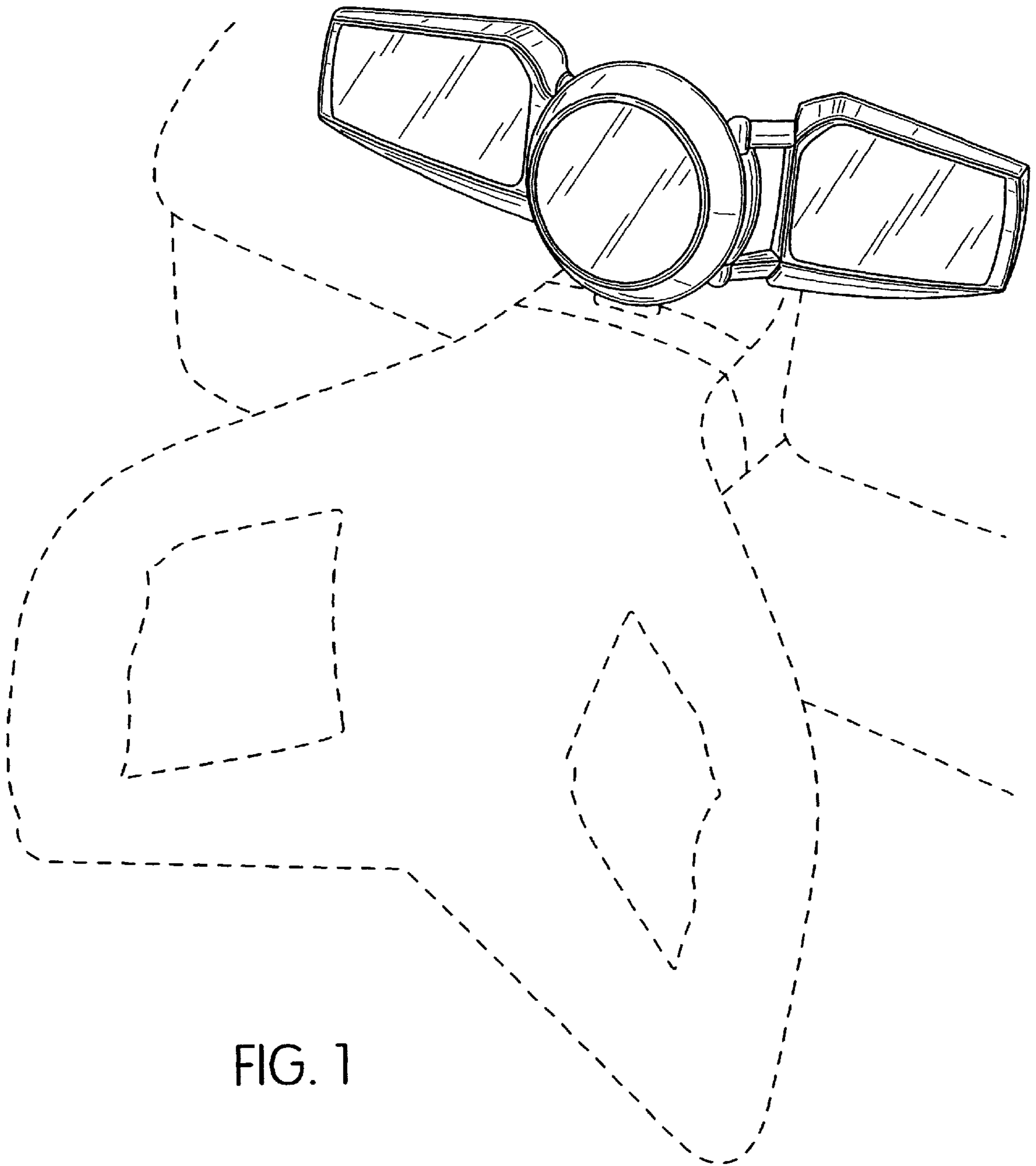


FIG. 1

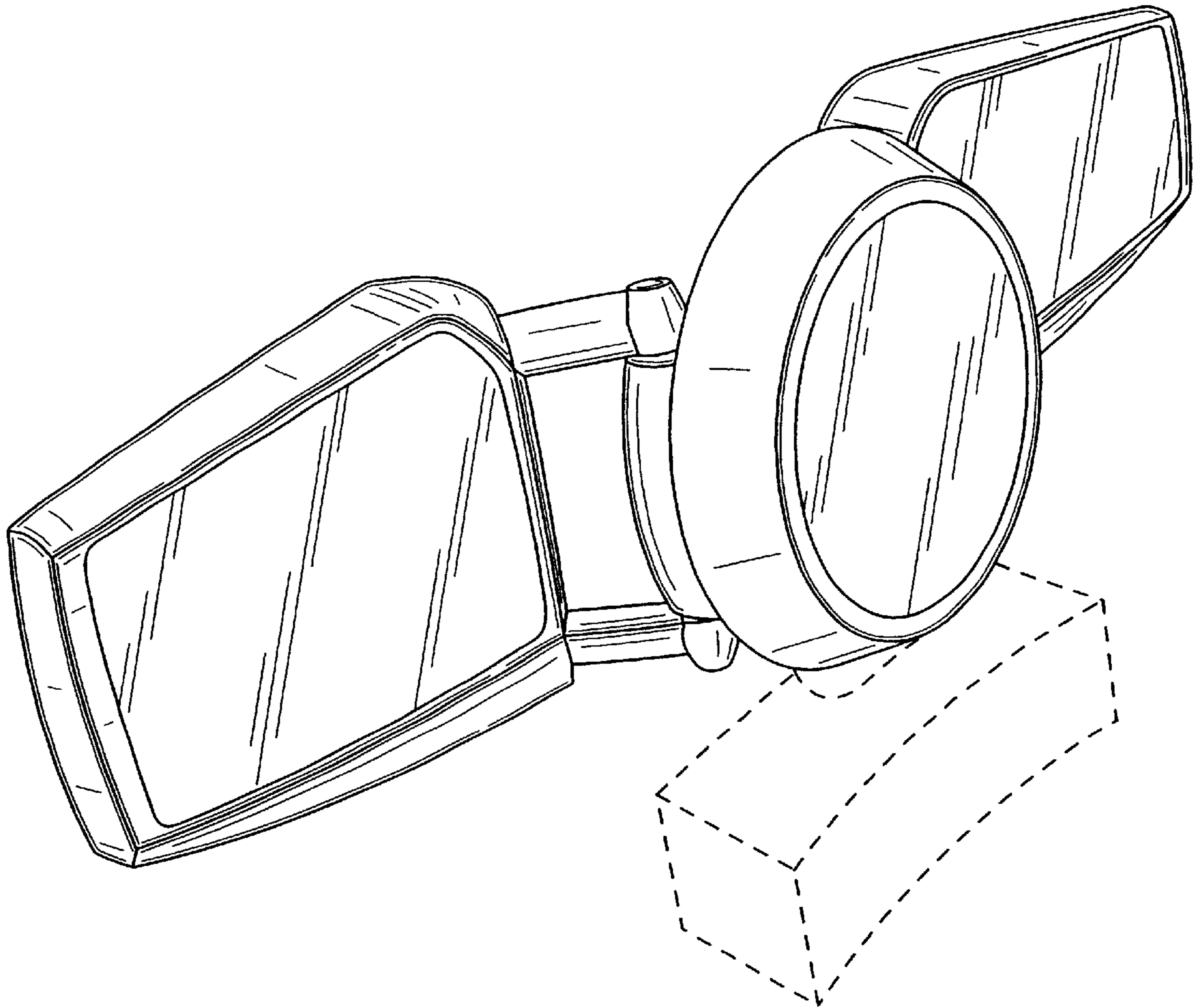


FIG. 2

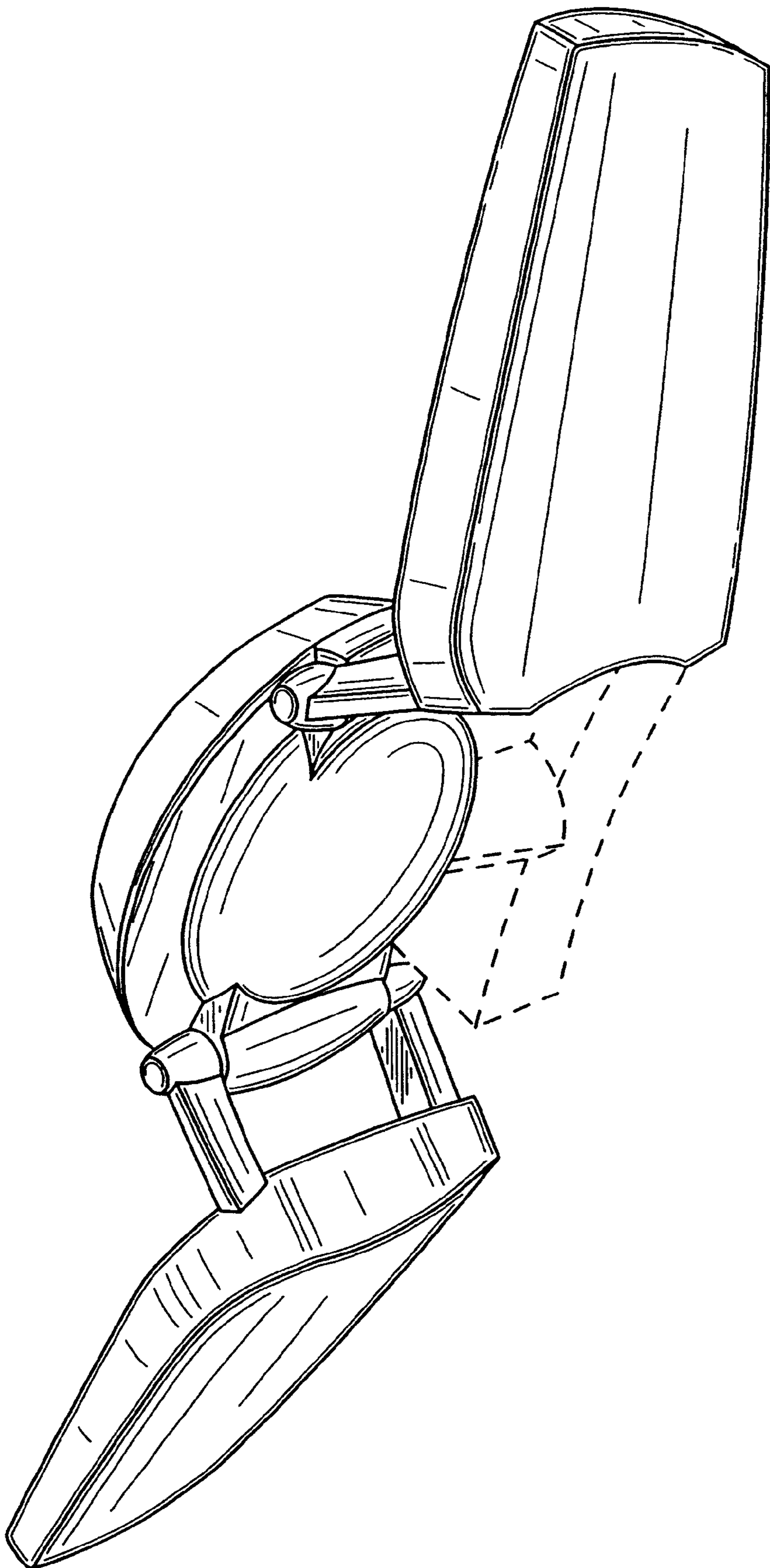


FIG. 3

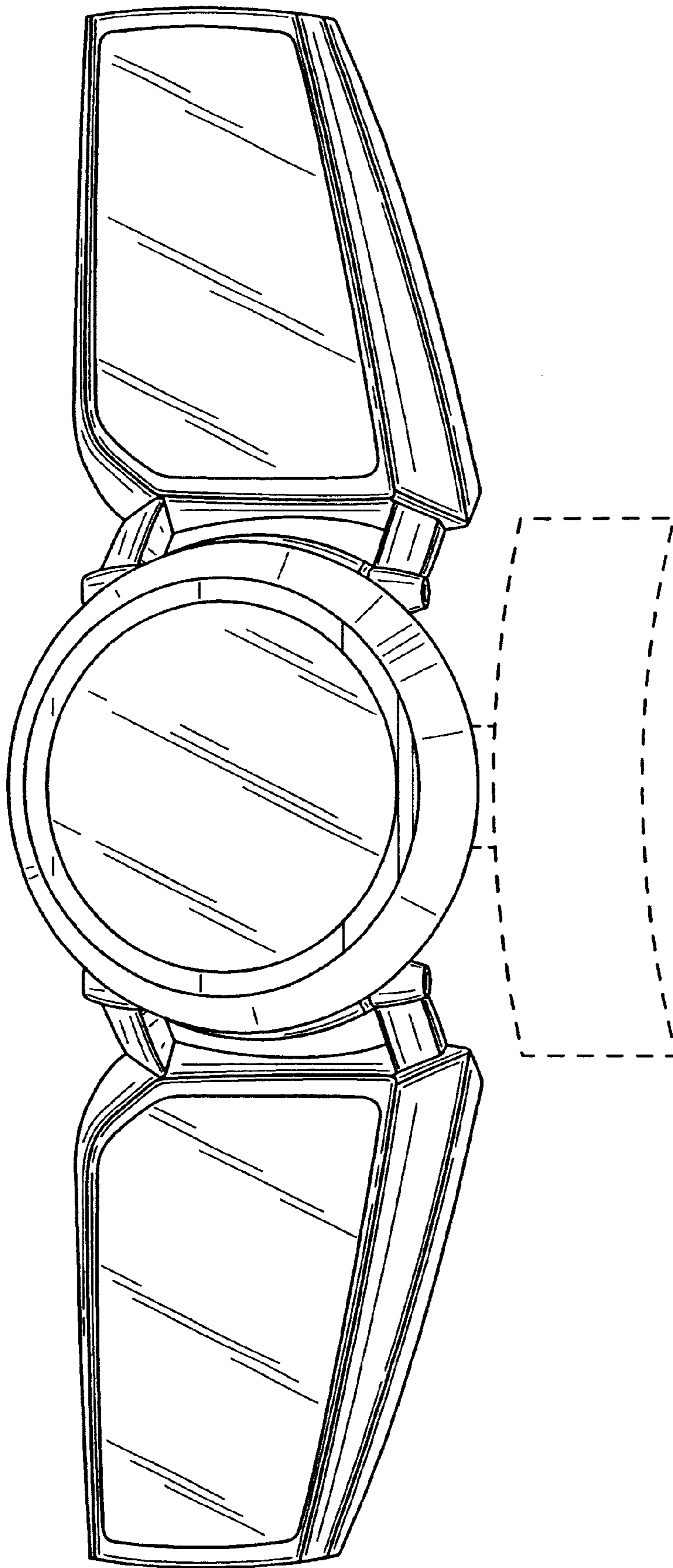


FIG. 4

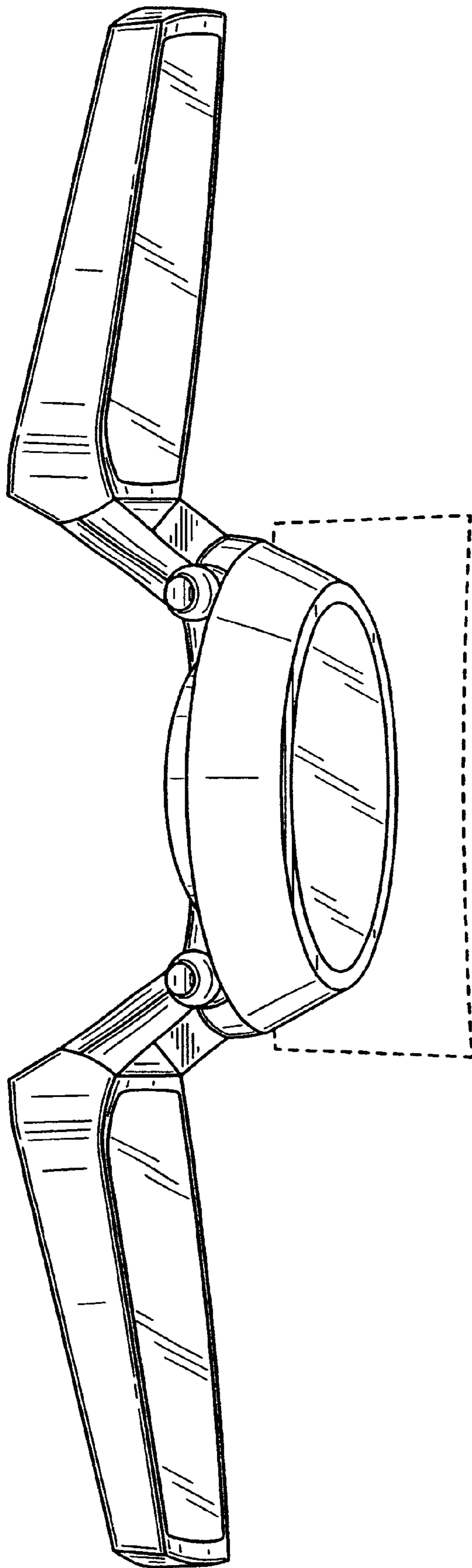


FIG. 5

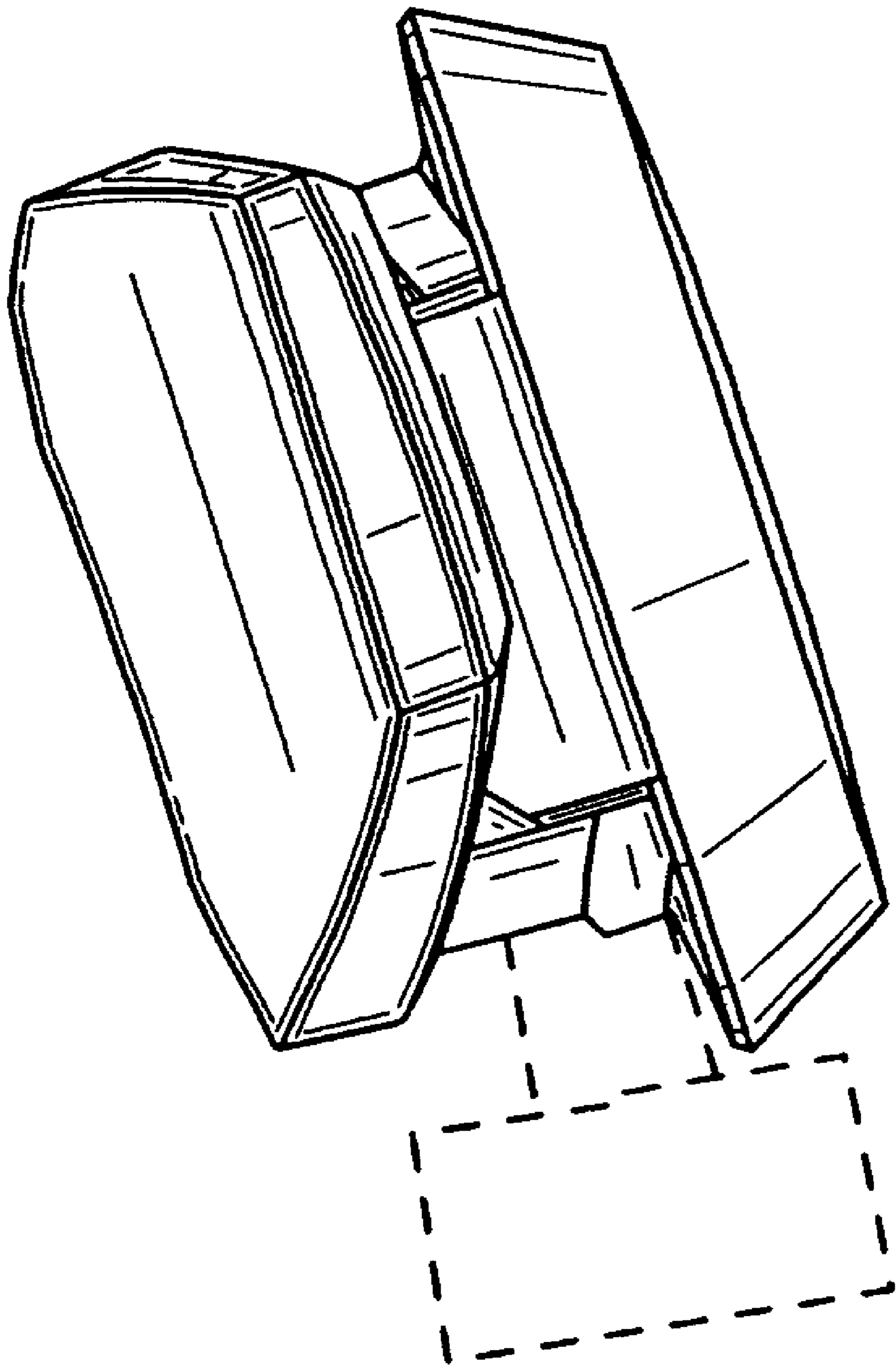


FIG. 6