



US00D472503S

(12) **United States Design Patent**
Price

(10) **Patent No.:** **US D472,503 S**

(45) **Date of Patent:** **** Apr. 1, 2003**

(54) **PORTABLE ATTACHMENT DEVICE**

PDG Product Design Group, "Scotty Lap Top—Suggested Demo Kit—Canada", Jan. 7, 2001, p. 1.

(76) Inventor: **Gerald Gordon Price**, 143 Scotton Place, Salt Spring Island, British Columbia (CA), V8K 1J3

* cited by examiner

(**) Term: **14 Years**

Primary Examiner—Marcus A. Jackson

(21) Appl. No.: **29/161,199**

(57) **CLAIM**

(22) Filed: **May 28, 2002**

The ornamental design for portable attachment device, as shown.

(51) **LOC (7) Cl.** **12-12**

(52) **U.S. Cl.** **D12/133**

(58) **Field of Search** D12/128, 130, D12/131, 133; 297/155, 188; 135/67

DESCRIPTION

(56) **References Cited**

U.S. PATENT DOCUMENTS

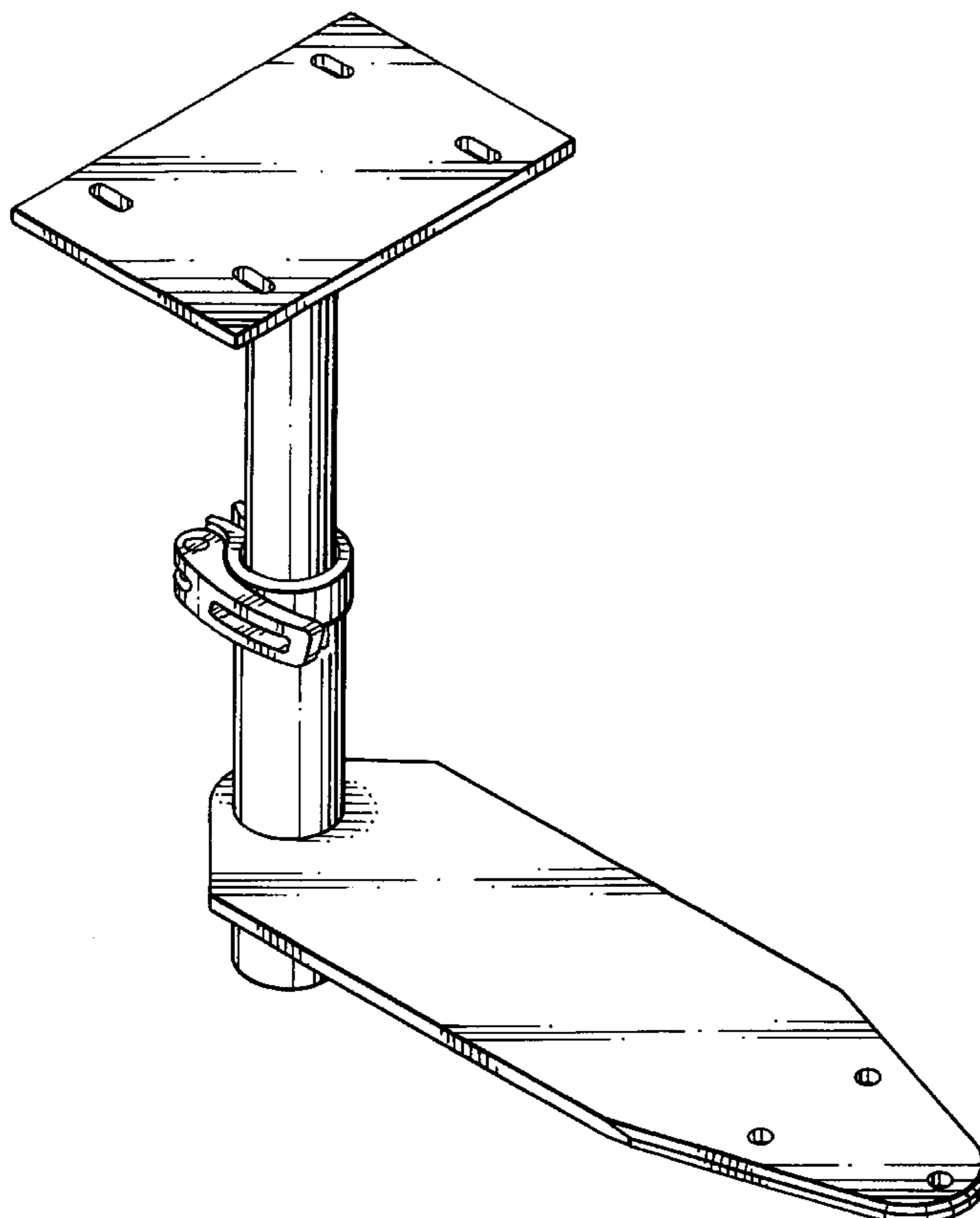
4,913,393 A	4/1990	Wood	248/283
D353,123 S	* 12/1994	Korona	D12/133
D357,440 S	* 4/1995	Pietra	D12/133
D364,592 S	* 11/1995	Thompson	D12/133
5,649,737 A	* 7/1997	Behnke	D12/133

FIG. 1 is a perspective view of a portable attachment device showing my new design;
 FIG. 2 is a top view of the device;
 FIG. 3 is a left side view of the device;
 FIG. 4 is a bottom view of the device;
 FIG. 5 is a right side view of the device;
 FIG. 6 is a front view of the device;
 FIG. 7 is a rear view of the device; and,
 FIG. 8 is a perspective view of a portable attachment device showing a variant of the design.

OTHER PUBLICATIONS

PDG Product Design Group, "Scotty Lap Top Systems—Components", Jan. 7, 2001, p. 1.
 PDG Product Design Group, "Scotty Lap Top Systems—KIRSTEN", Jan. 7, 2001, p. 1.

1 Claim, 5 Drawing Sheets



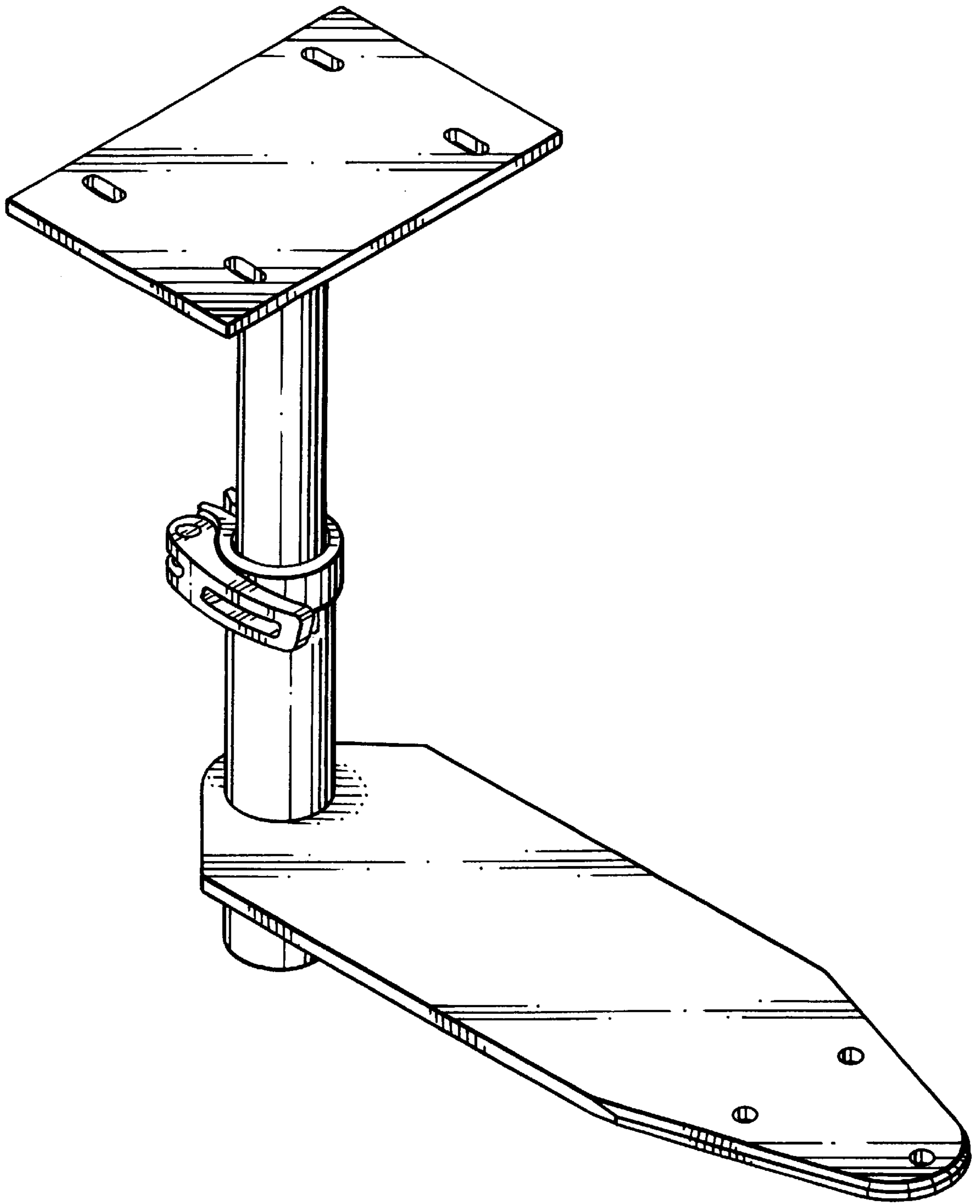


FIG. 1

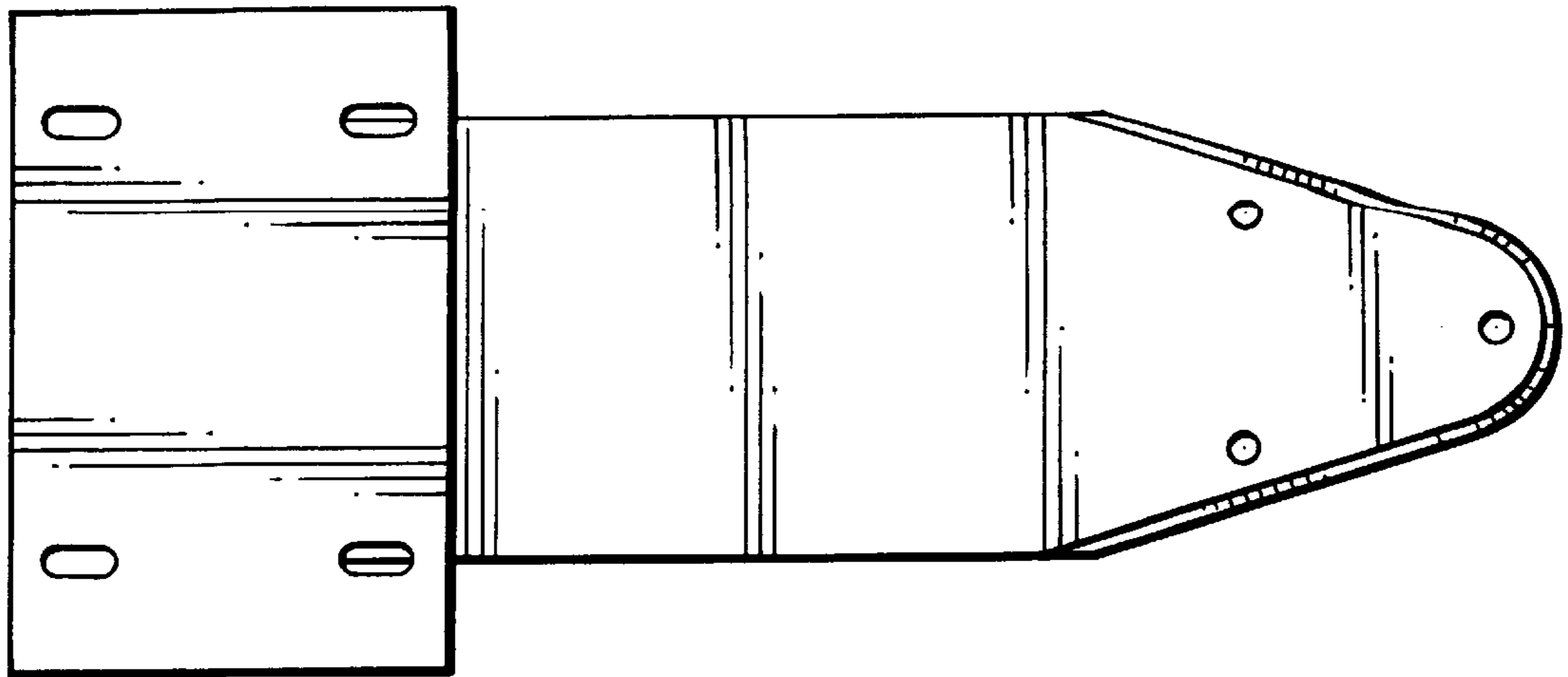


FIG. 2

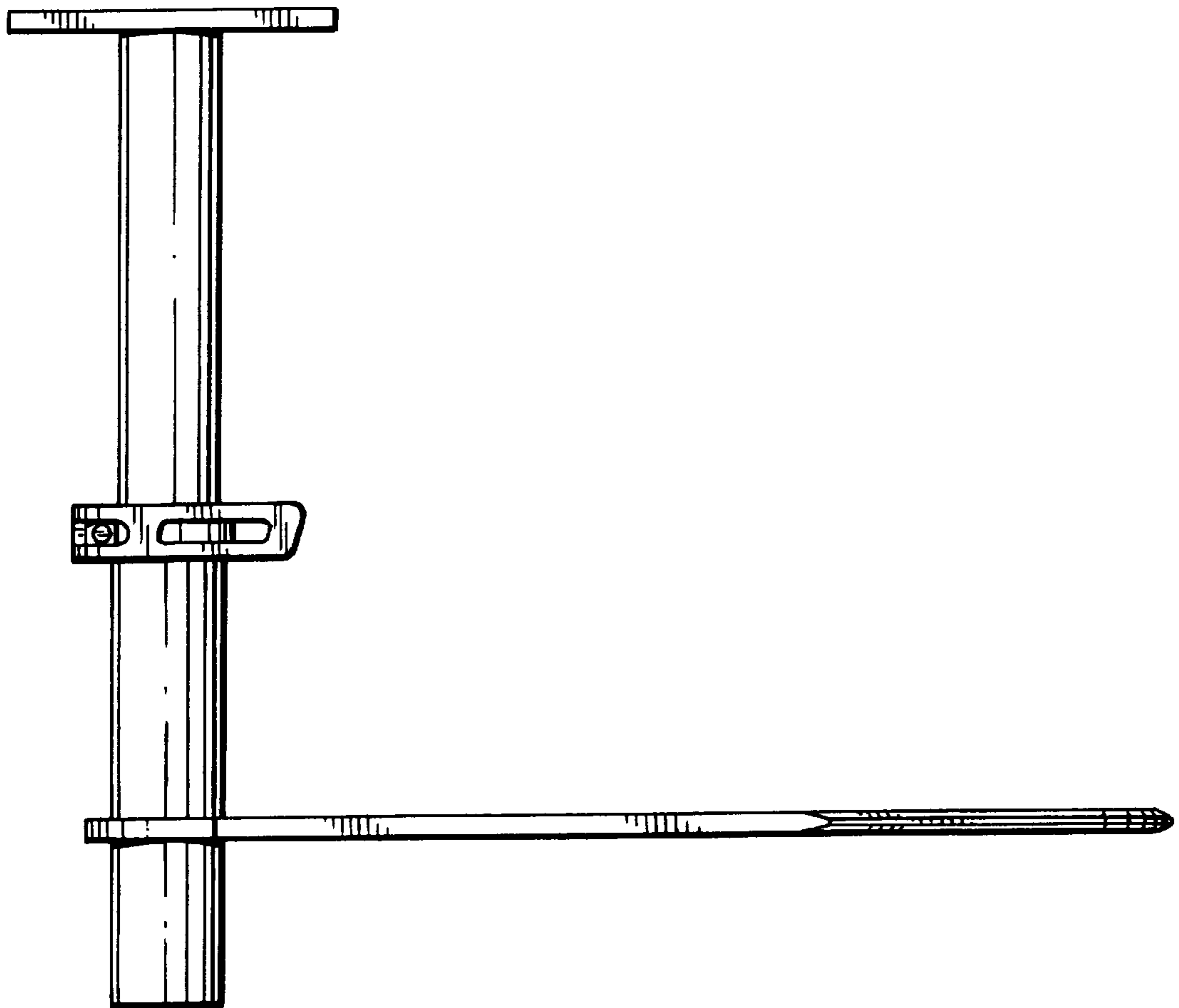


FIG. 3

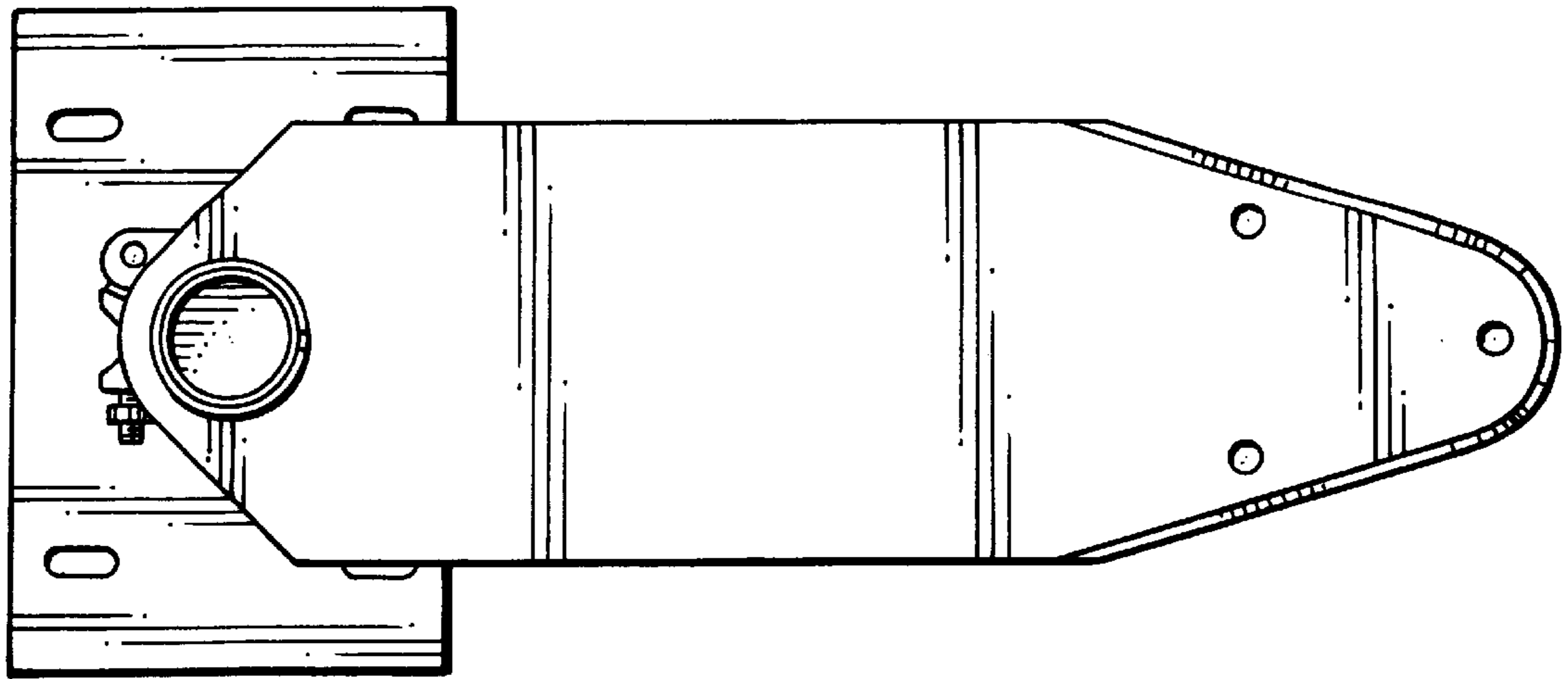


FIG. 4

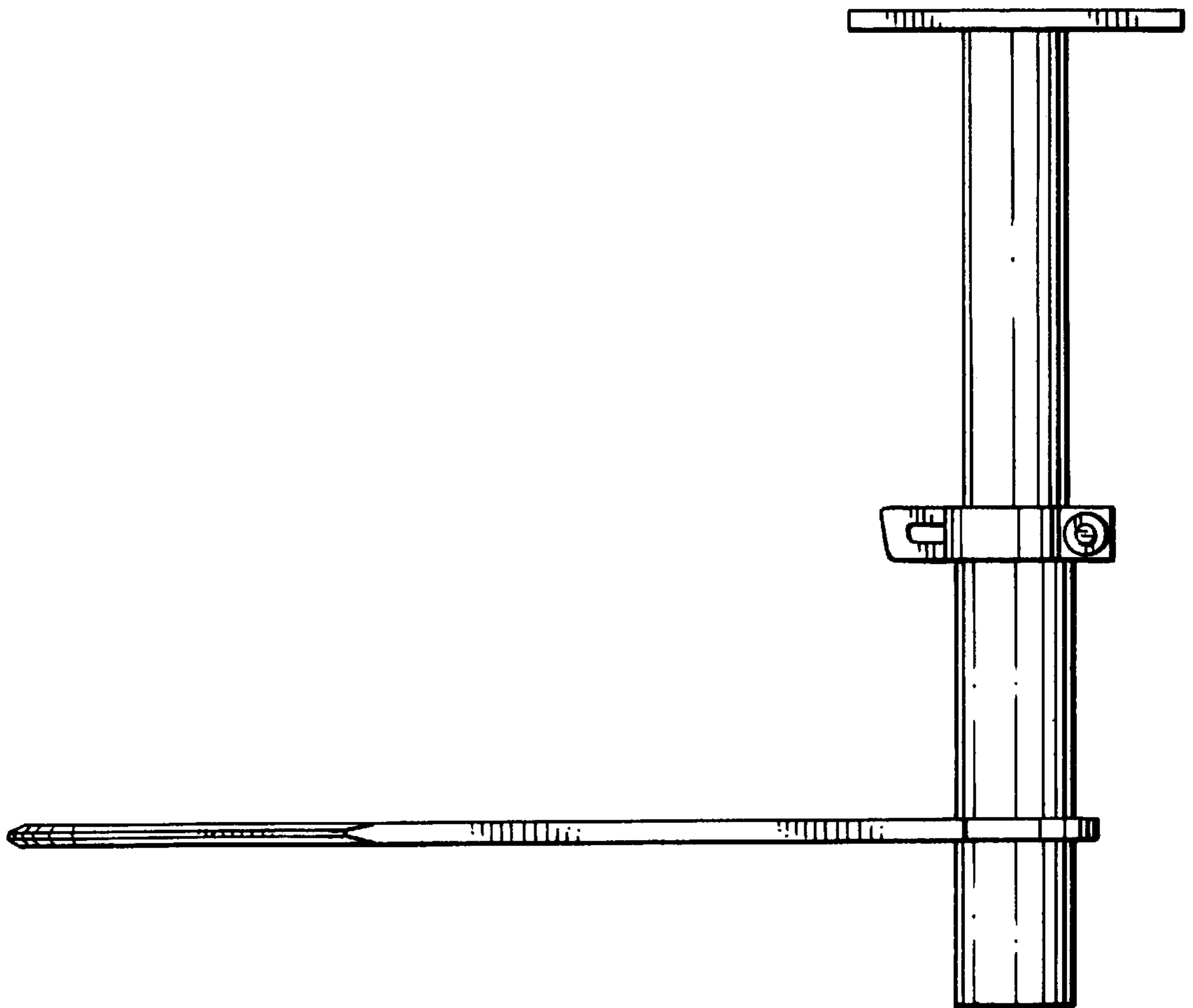


FIG. 5

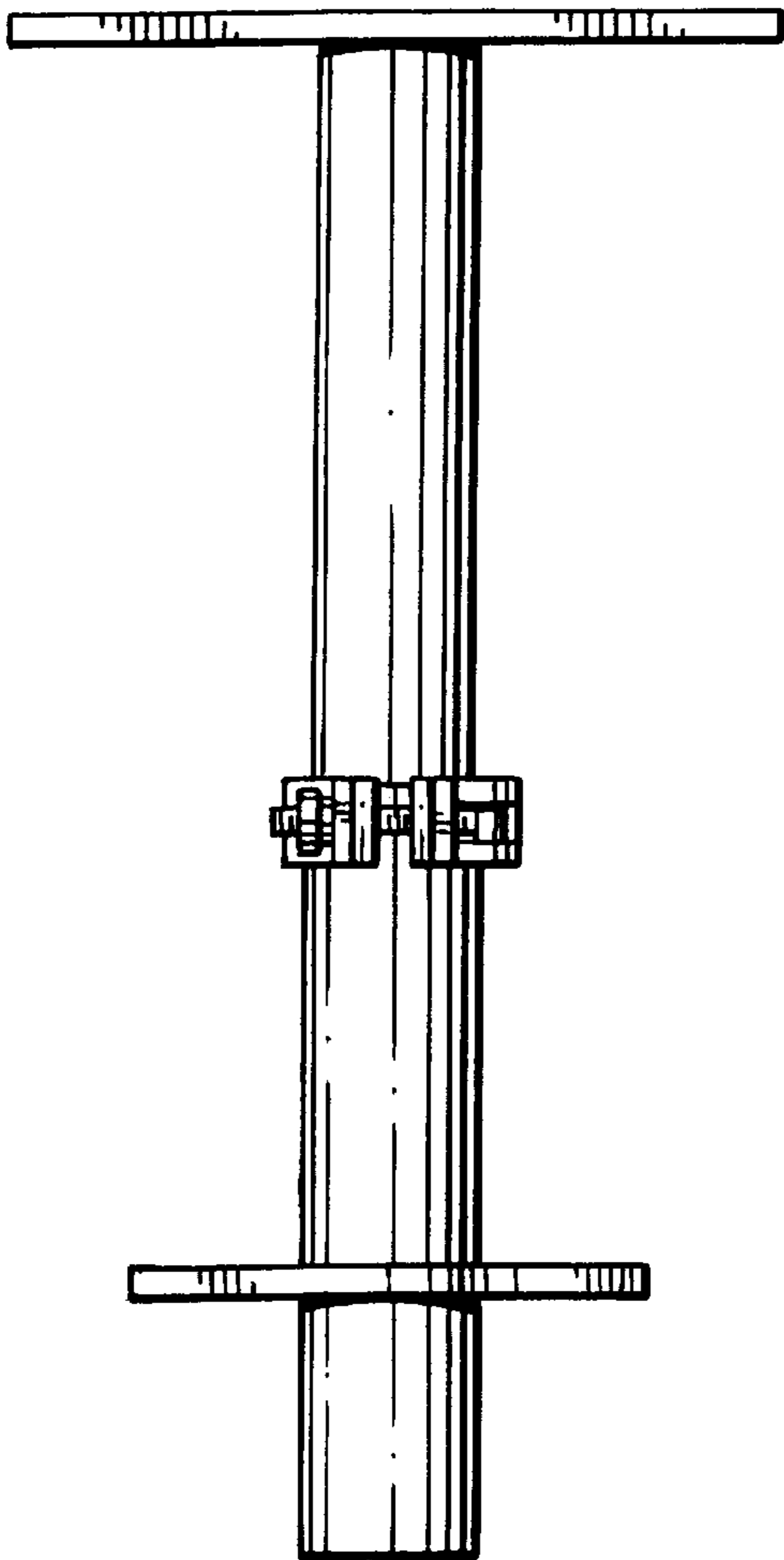


FIG. 6

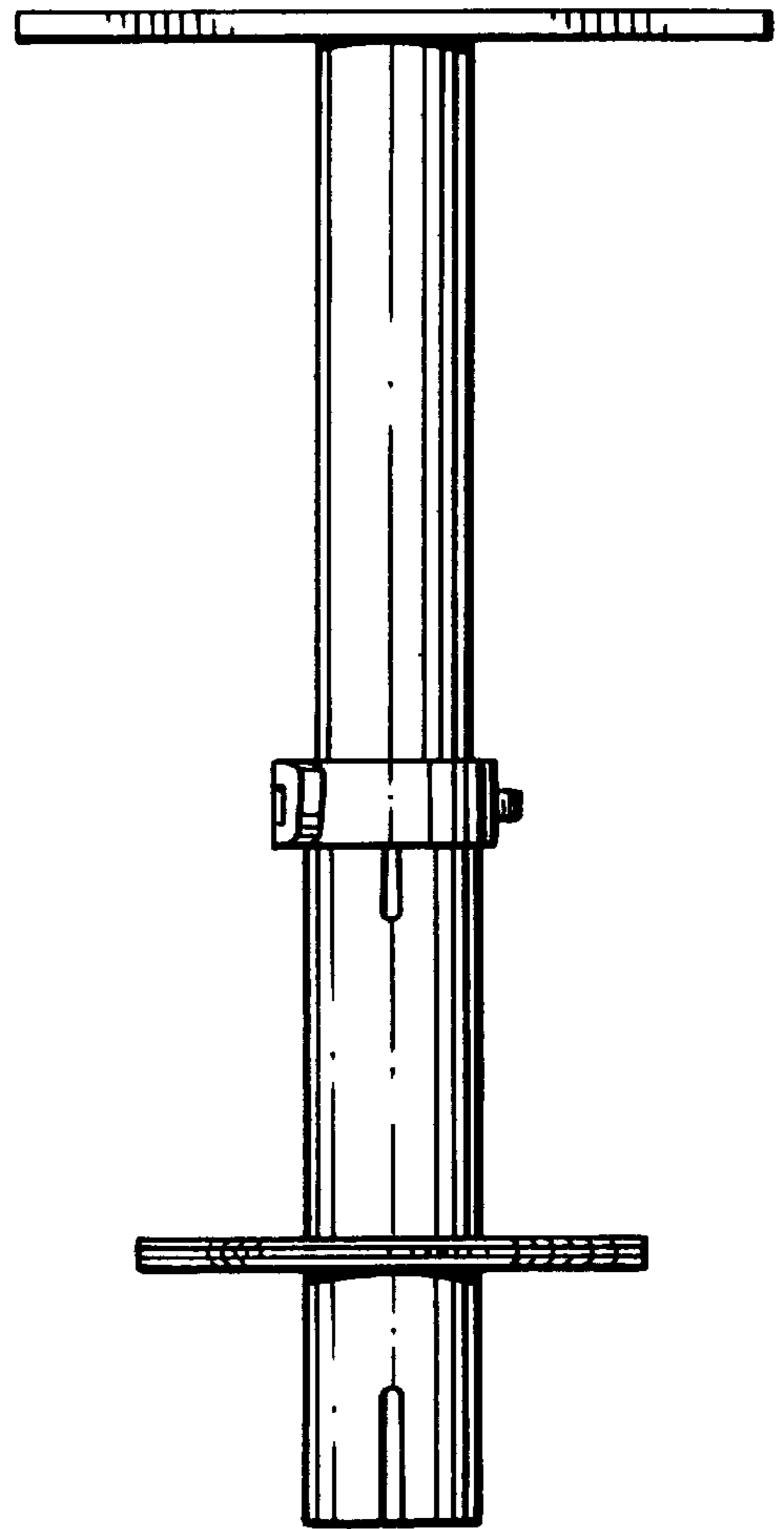


FIG. 7

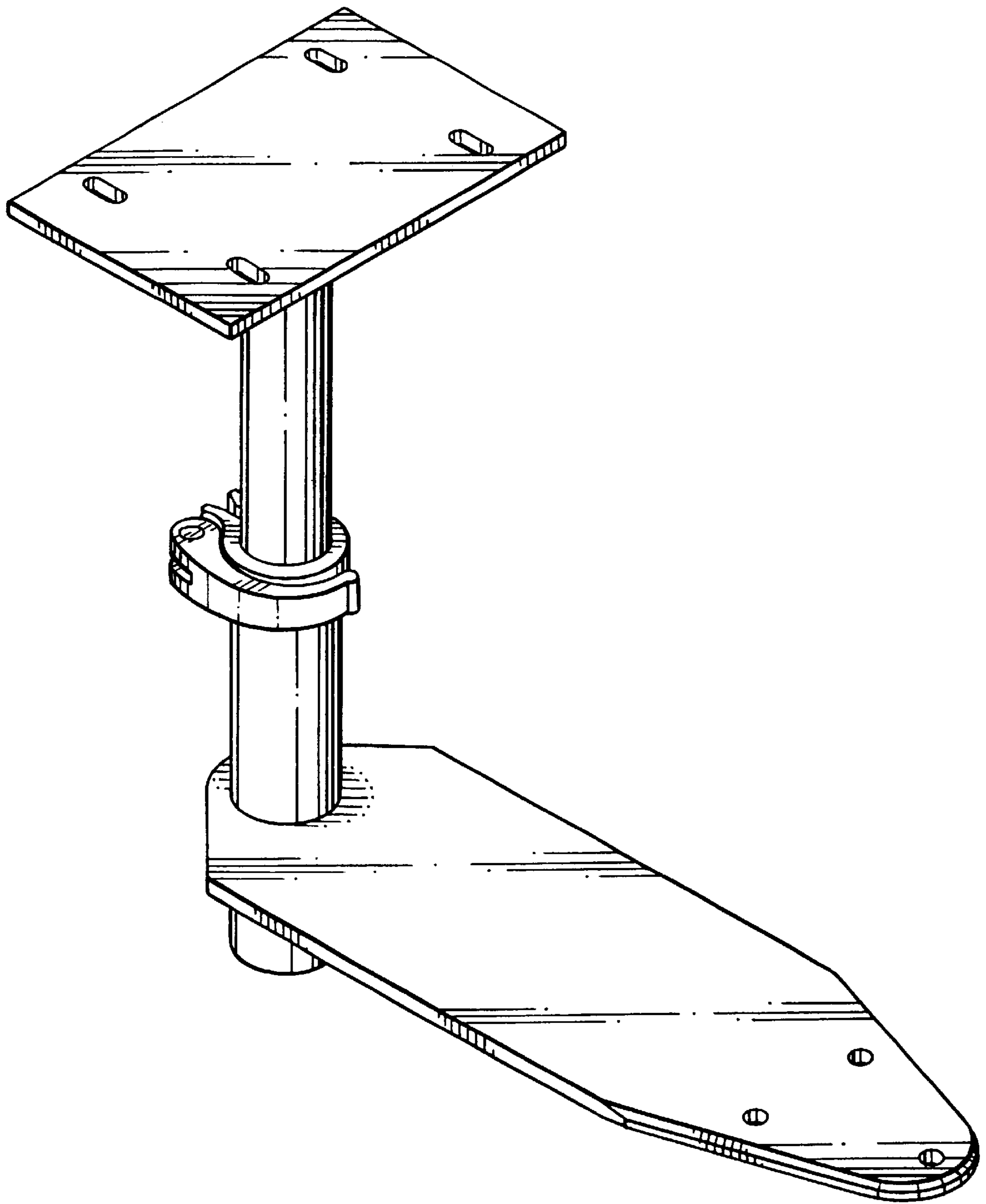


FIG. 8