



US00D472489S

(12) **United States Design Patent**
Kim

(10) **Patent No.:** **US D472,489 S**

(45) **Date of Patent:** **** Apr. 1, 2003**

(54) **SOLAR CELL CASE OF A PAVEMENT MARKER**

(74) *Attorney, Agent, or Firm*—Foley & Lardner

(76) **Inventor:** **Kwung-Chul Kim**, 109-403 Narae Apt., 564 Samsung-ri, Junae-myeon, Yangju-kun, 482-820 Kyeonggi-do (KR)

(57) **CLAIM**

The ornamental design for a solar cell case of a pavement marker, as shown and described.

(**) **Term:** **14 Years**

DESCRIPTION

(21) **Appl. No.:** **29/156,660**

FIG. 1 is a front perspective view of the solar cell case of a pavement marker taken from the front, right side and above; FIG. 2 is a front view of the solar cell case of a pavement marker;

(22) **Filed:** **Mar. 6, 2002**

FIG. 3 is a rear view of the solar cell case of a pavement marker;

(51) **LOC (7) Cl.** **10-05**

(52) **U.S. Cl.** **D10/113**

FIG. 4 is a top view of the solar cell case of a pavement marker;

(58) **Field of Search** D10/113; 116/63 C, 116/63 P; 404/6-16

FIG. 5 is a bottom view of the solar cell case of a pavement marker; and

(56) **References Cited**

U.S. PATENT DOCUMENTS

D346,984 S * 5/1994 Hedgewick D10/113
5,984,570 A * 11/1999 Parashar 404/14

FIG. 6 is a left side view of the solar cell case of a pavement marker;

FIG. 7 is a right side view of the solar cell case of a pavement marker; and,

FIG. 8 is a bottom perspective view of the solar cell of a pavement marker.

* cited by examiner

Primary Examiner—Antoine Duval Davis

1 Claim, 4 Drawing Sheets

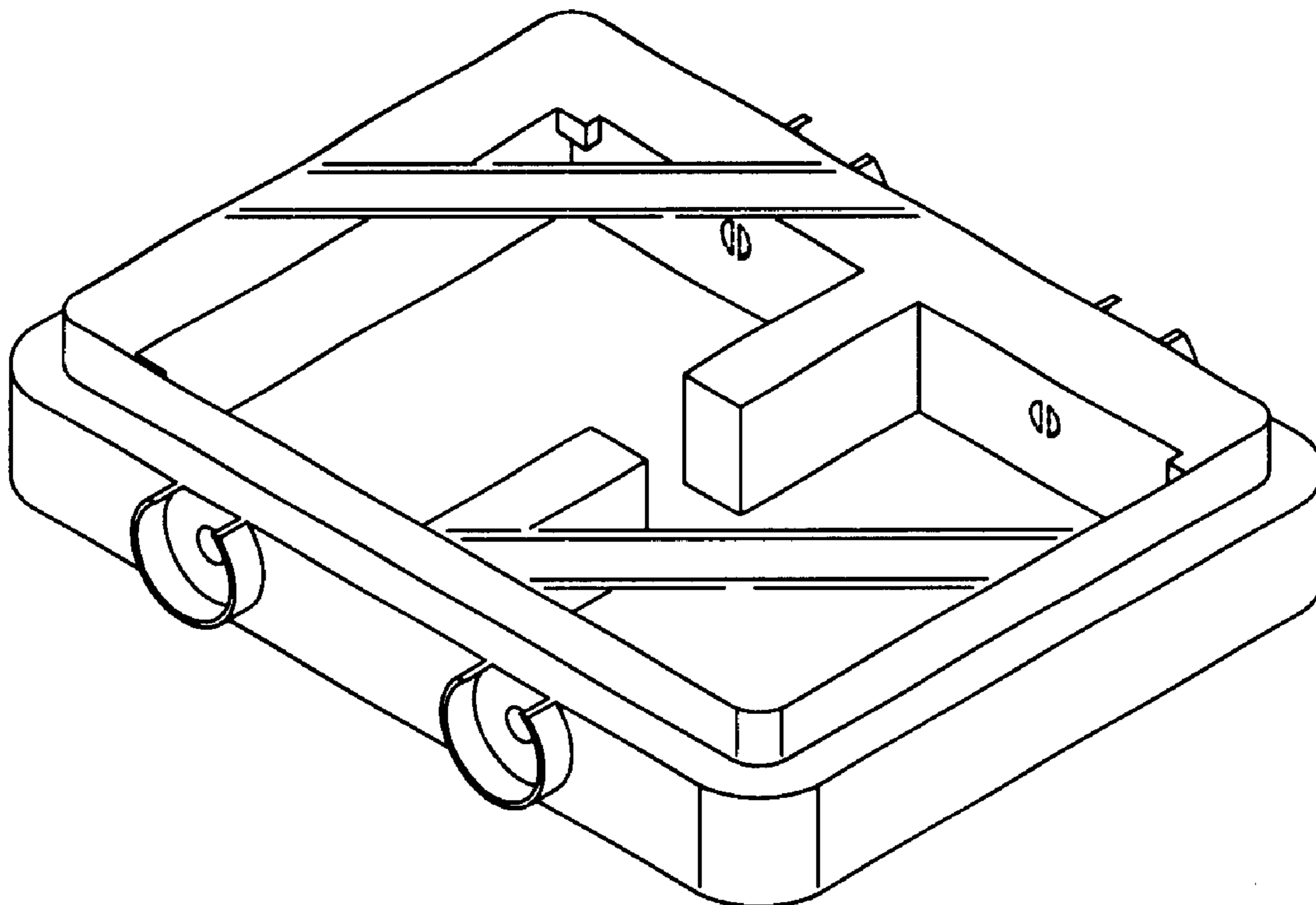


FIG. 1

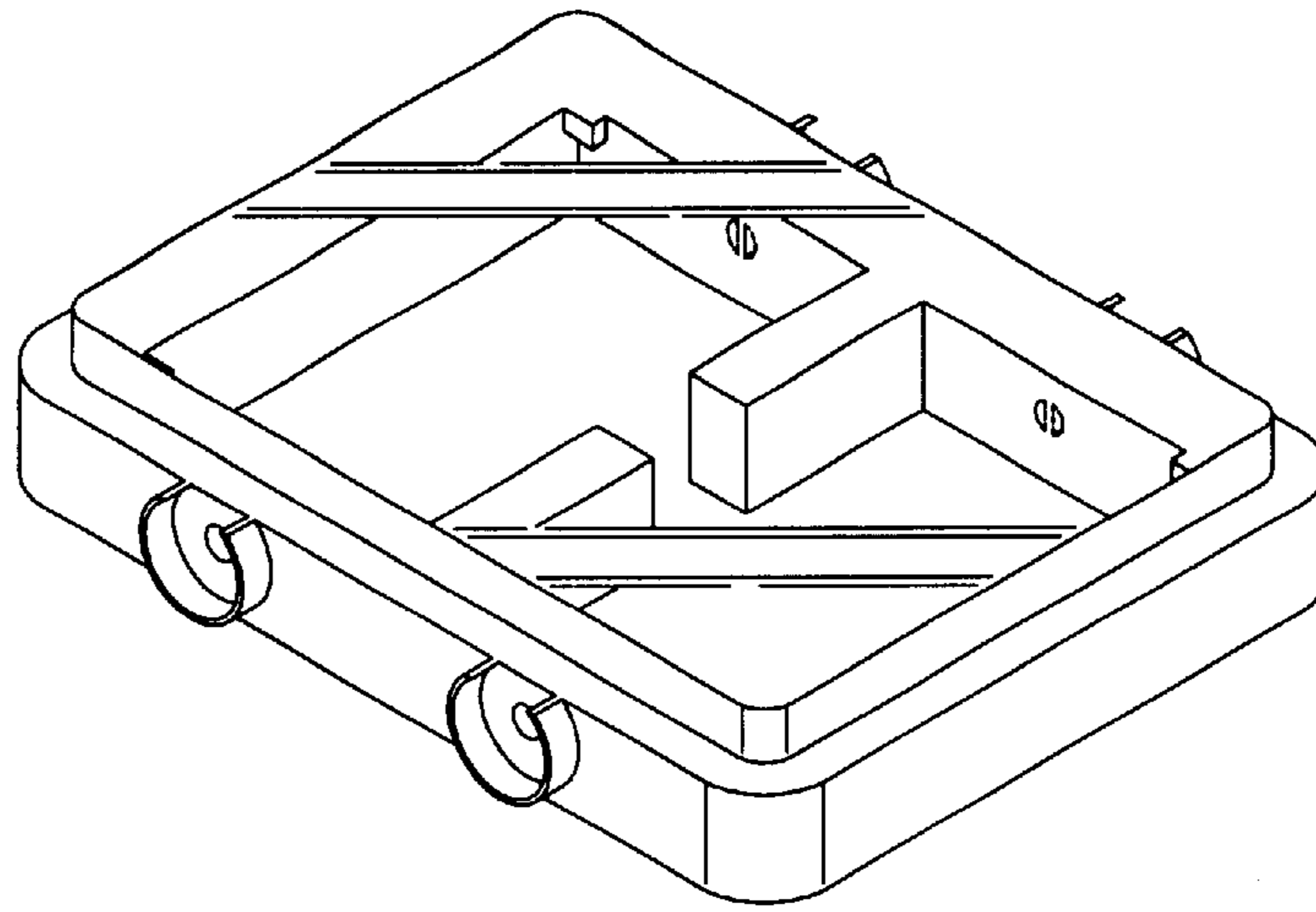


Fig. 2

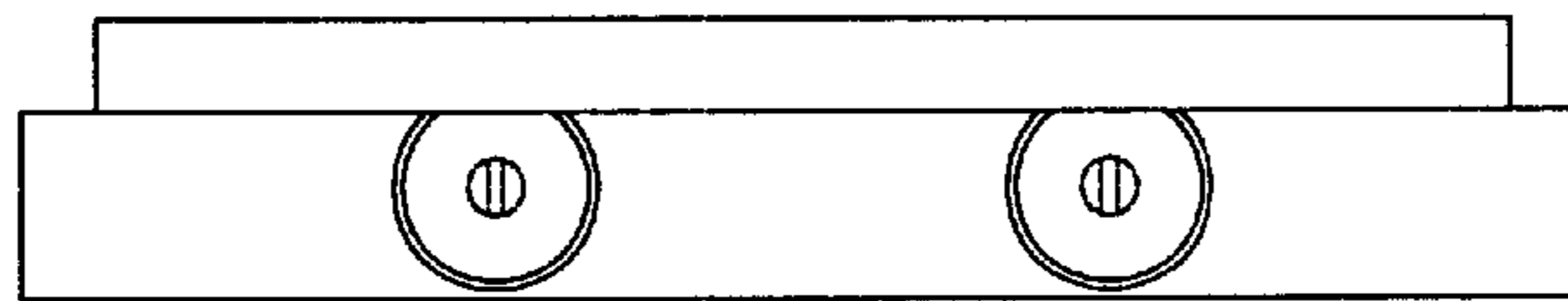


Fig. 3

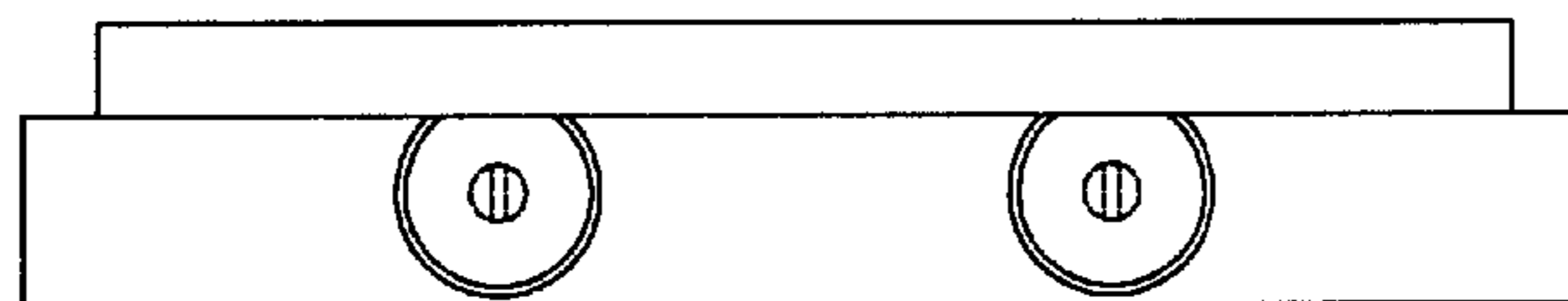


FIG. 4

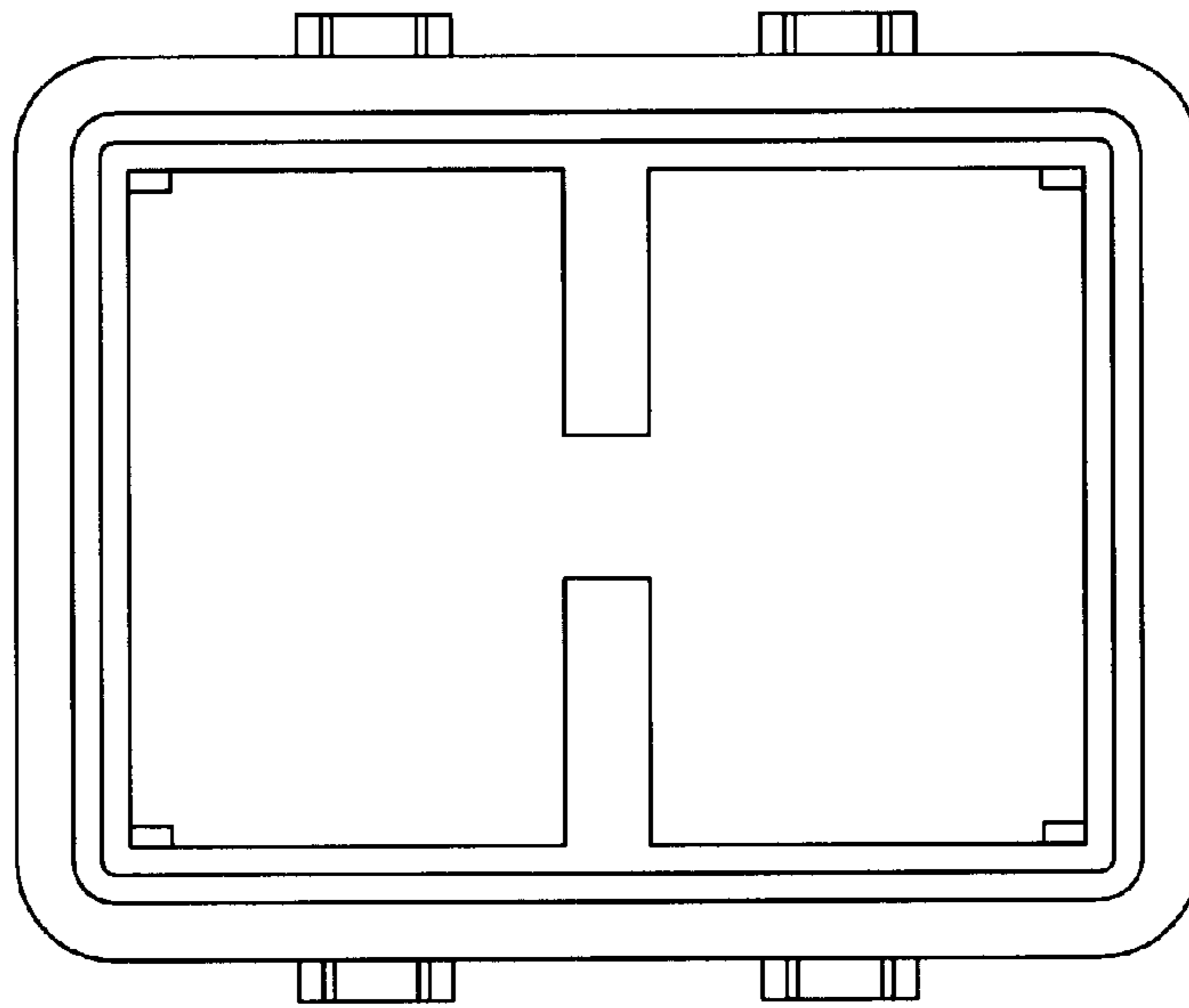


FIG. 5

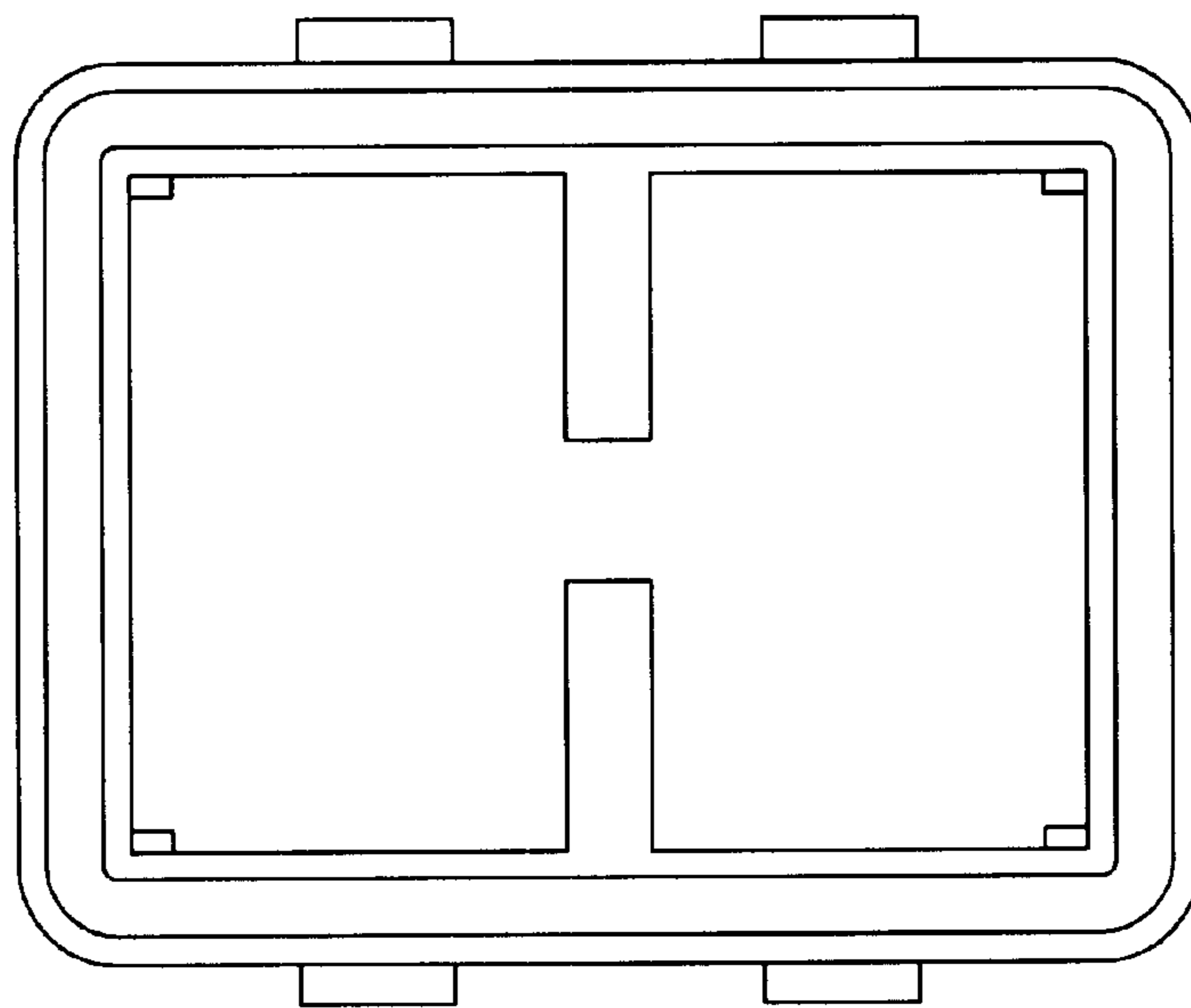


FIG. 6

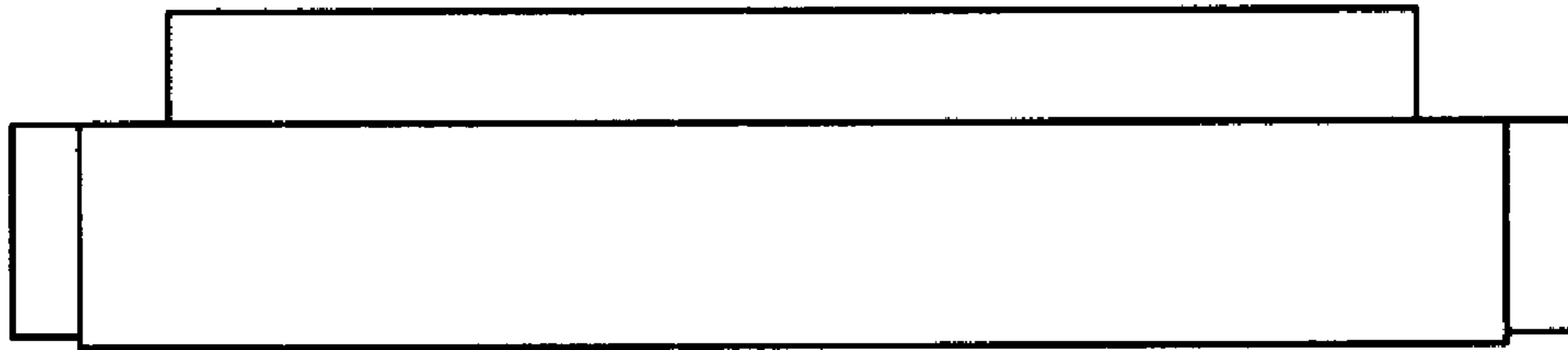


FIG. 7

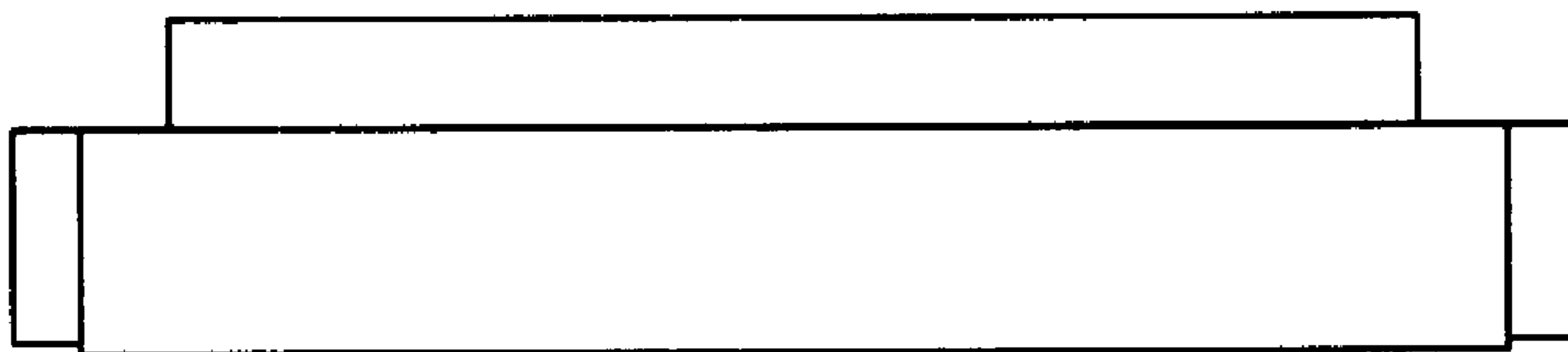


FIG. 8

