



US00D472487S

(12) **United States Design Patent**
Eckel et al.

(10) **Patent No.:** **US D472,487 S**

(45) **Date of Patent:** **** Apr. 1, 2003**

(54) **MID-SECTION COVER FOR AN OCCUPANCY SENSOR**

(75) Inventors: **David P. Eckel**, Eaton's Neck, NY (US); **Maxim Laurent**, Brooklyn, NY (US); **James A. Porter**, Farmingdale, NY (US)

(73) Assignee: **Leviton Manufacturing Co., Inc.**, Little Neck, NY (US)

(**) Term: **14 Years**

(21) Appl. No.: **29/154,210**

(22) Filed: **Jan. 18, 2002**

(51) **LOC (7) Cl.** **10-05**

(52) **U.S. Cl.** **D10/104**

(58) **Field of Search** D10/104, 106;
250/DIG. 1, 342, 353, 349; 340/555-557,
600, 522, 567, 573.1, 540; 364/140, 483;
374/142, 135, 138

(56) **References Cited**

U.S. PATENT DOCUMENTS

- 5,739,753 A * 4/1998 Porter 340/555
- 6,082,894 A * 7/2000 Batko et al. 374/142
- D430,055 S * 8/2000 Aiello et al. D10/106

- D430,056 S * 8/2000 Aiello et al. D10/106
- 6,166,640 A * 12/2000 Nishihira et al. 340/573.1
- D435,798 S * 1/2001 Aiello et al. D10/106
- D439,853 S * 4/2001 Aiello et al. D10/104
- 6,215,398 B1 * 4/2001 Platner et al. 340/556

* cited by examiner

Primary Examiner—Antoine Duval Davis

(74) *Attorney, Agent, or Firm*—Paul J. Sutton

(57) **CLAIM**

The ornamental design for a mid-section cover for an occupancy sensor, as shown and described.

DESCRIPTION

FIG. 1 is a perspective view of a mid-section for an occupancy sensor illustrating our new design with the remainder of the occupancy sensor, a mounting plate and housing shown in dashed lines; the dashed lines shown are for illustrative purposes only and are not part of the claimed design;

FIG. 2 is a bottom plan view thereof;

FIG. 3 is a front elevational view thereof;

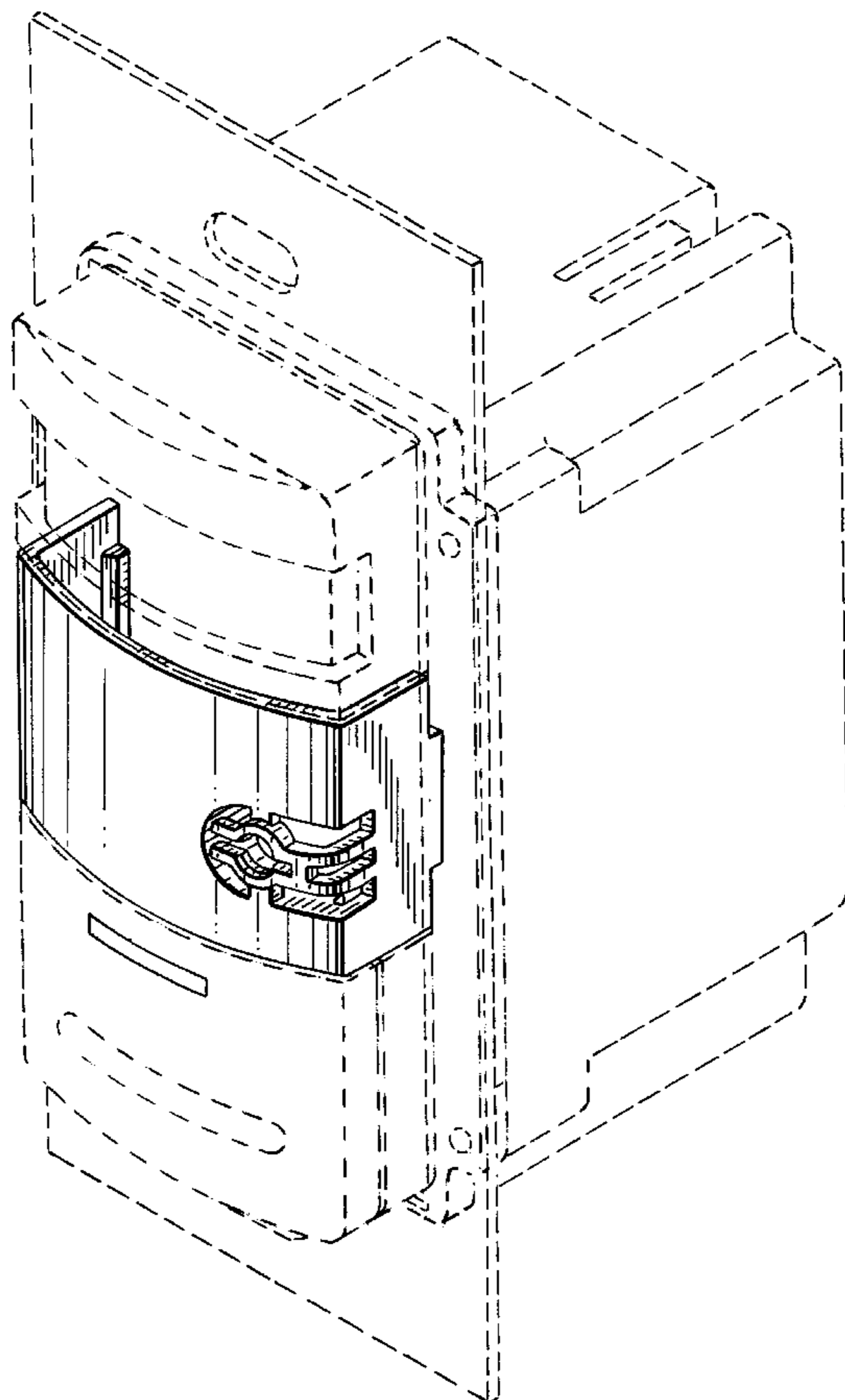
FIG. 4 is a right elevational view thereof;

FIG. 5 is a left elevational view thereof;

FIG. 6 is a rear elevational view thereof; and,

FIG. 7 is a rear perspective view thereof.

1 Claim, 3 Drawing Sheets



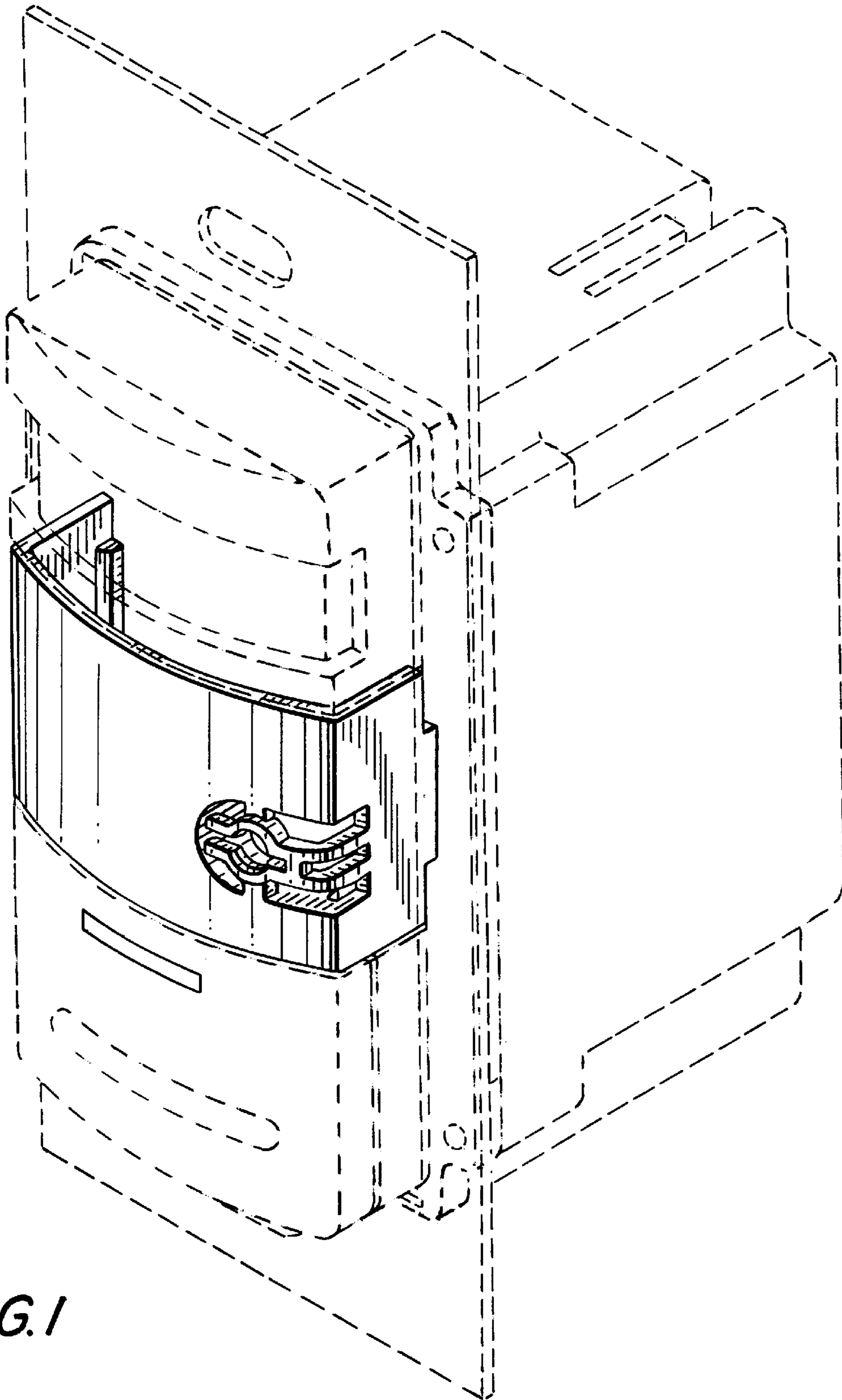


FIG. 1

FIG. 2

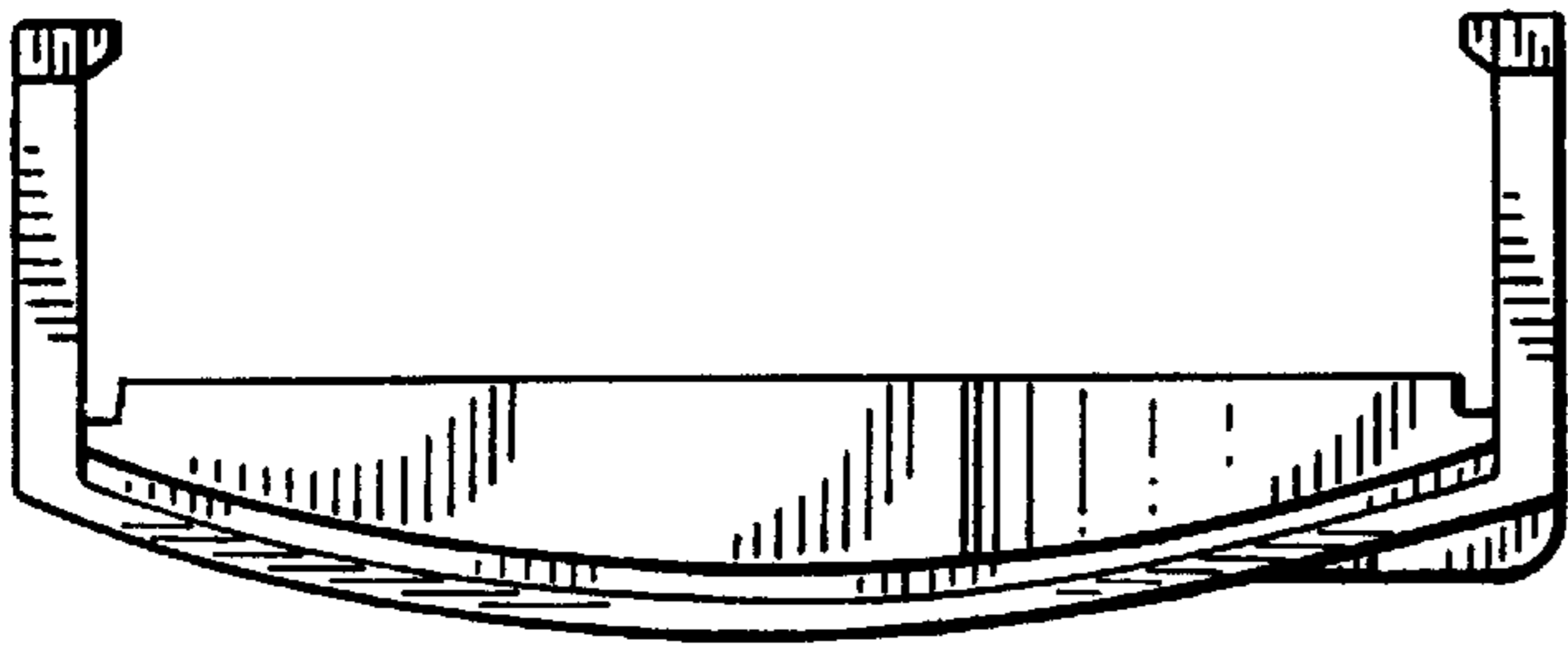


FIG. 3

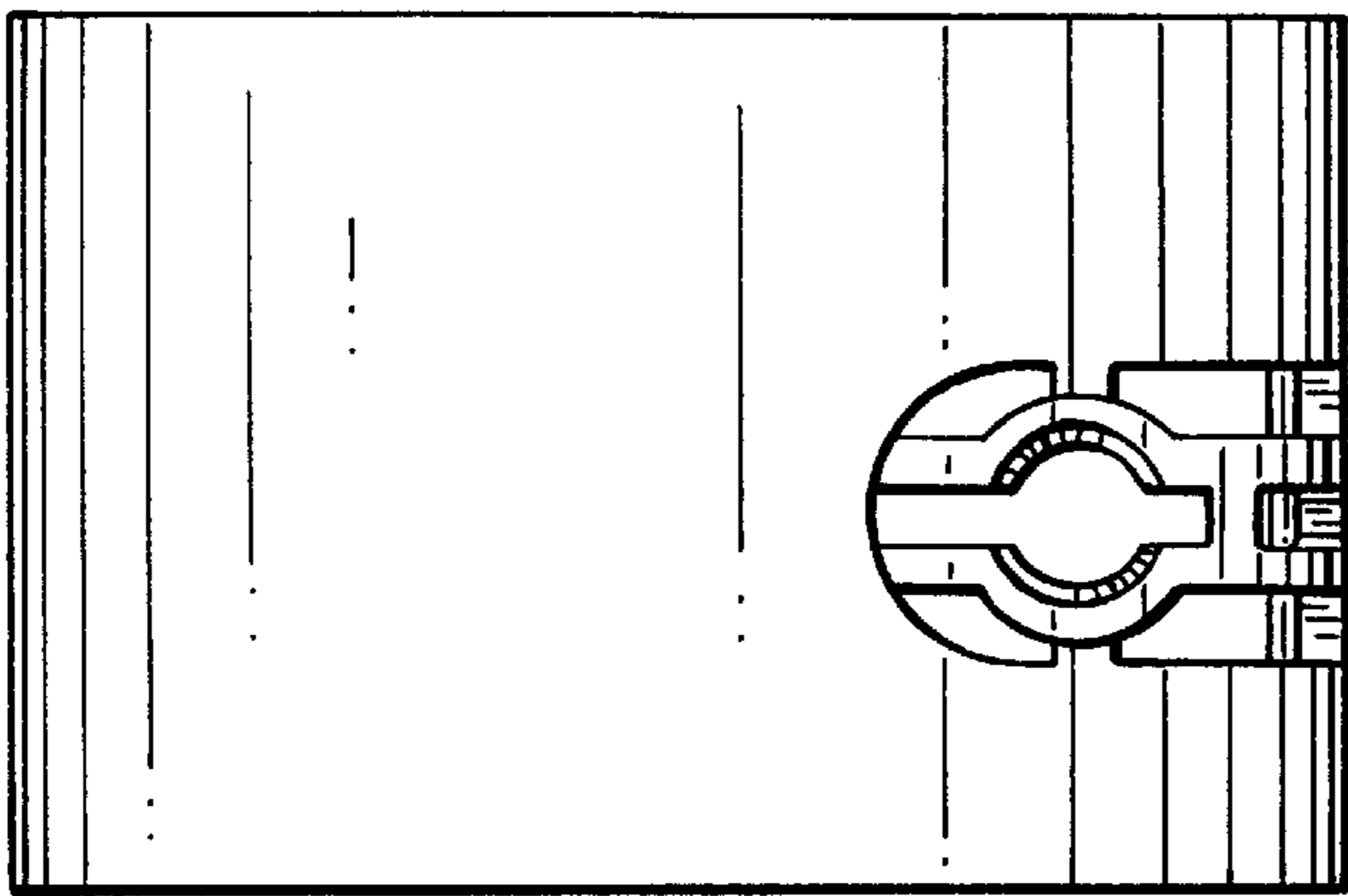


FIG. 4

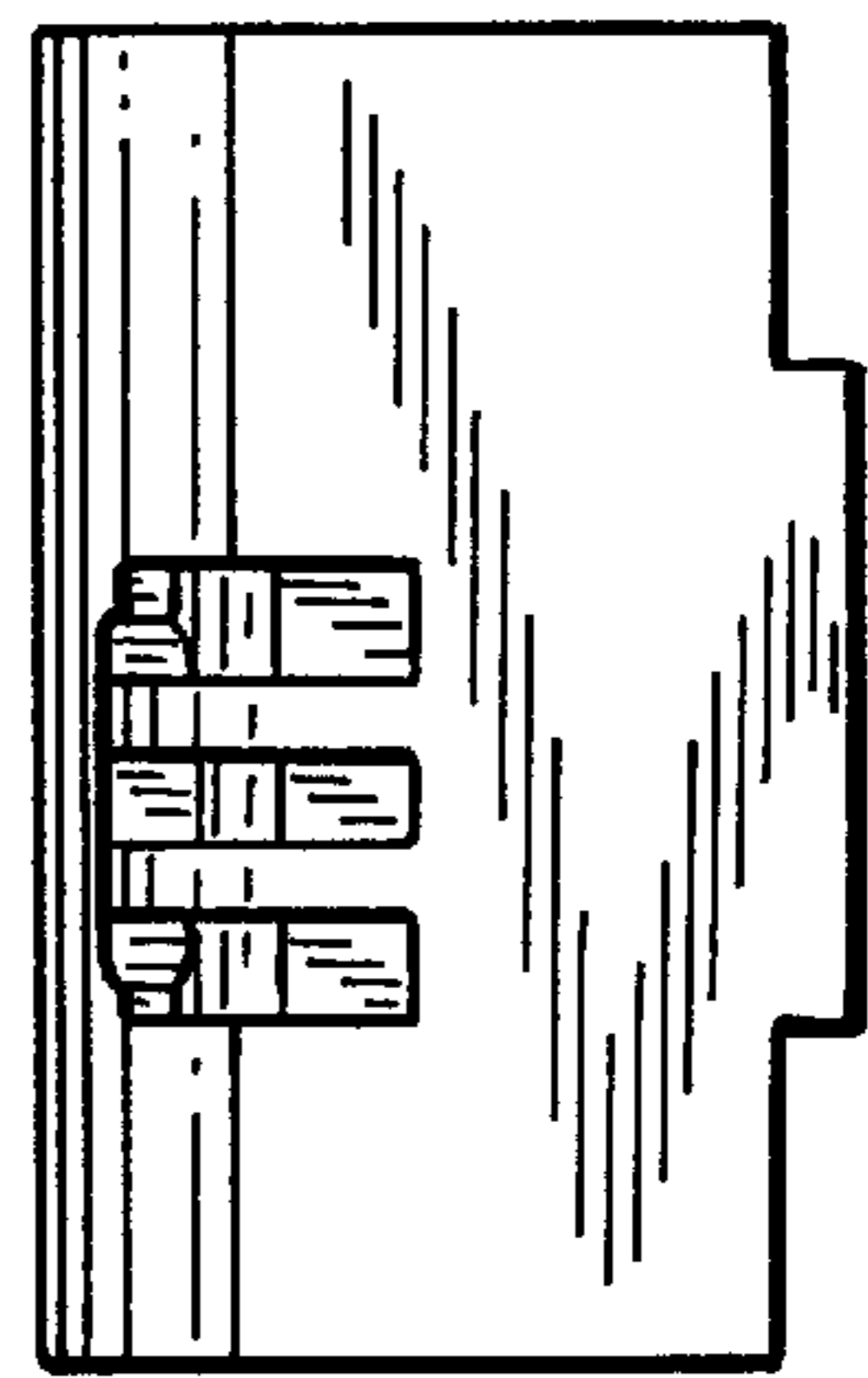


FIG. 5

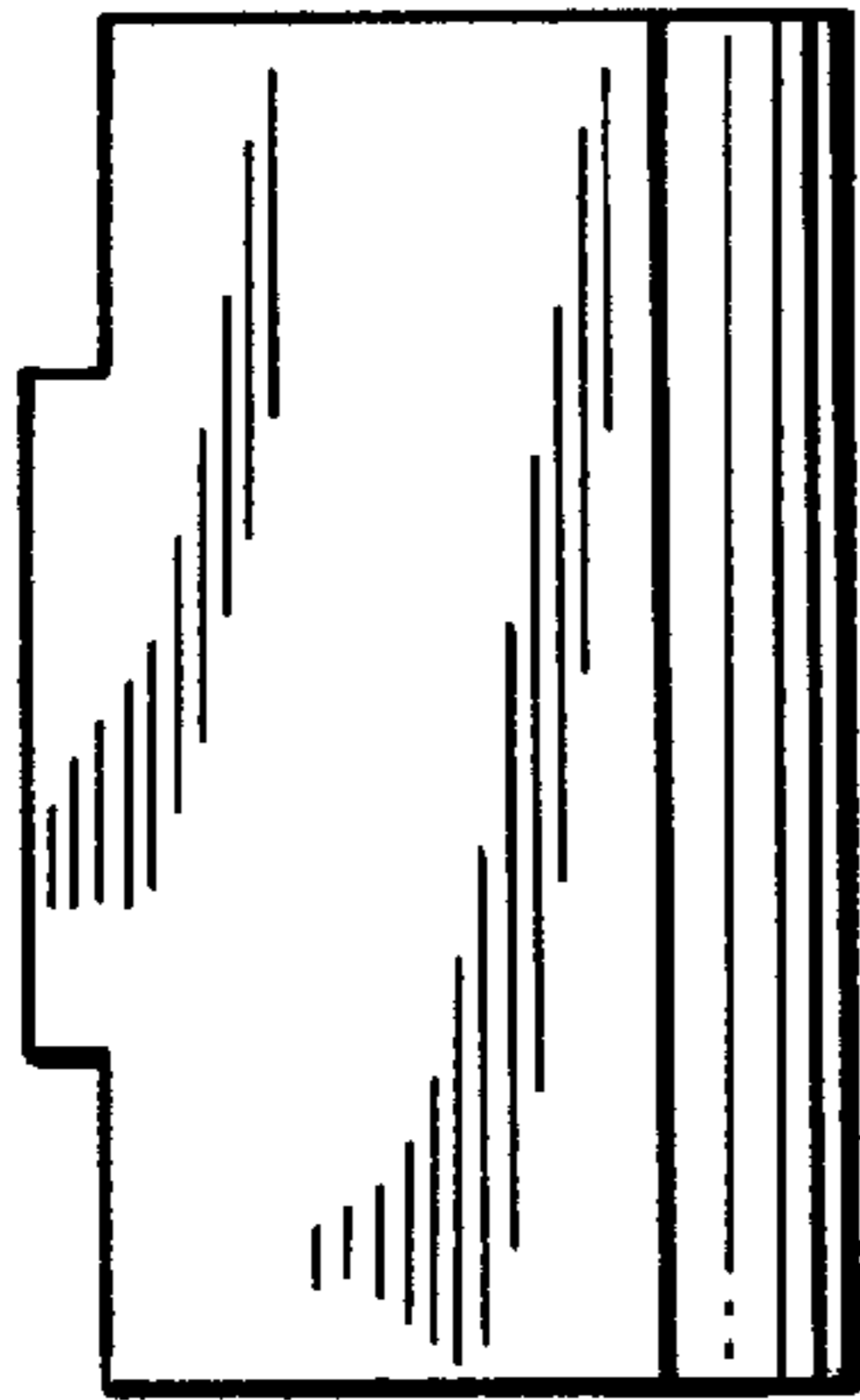


FIG. 6

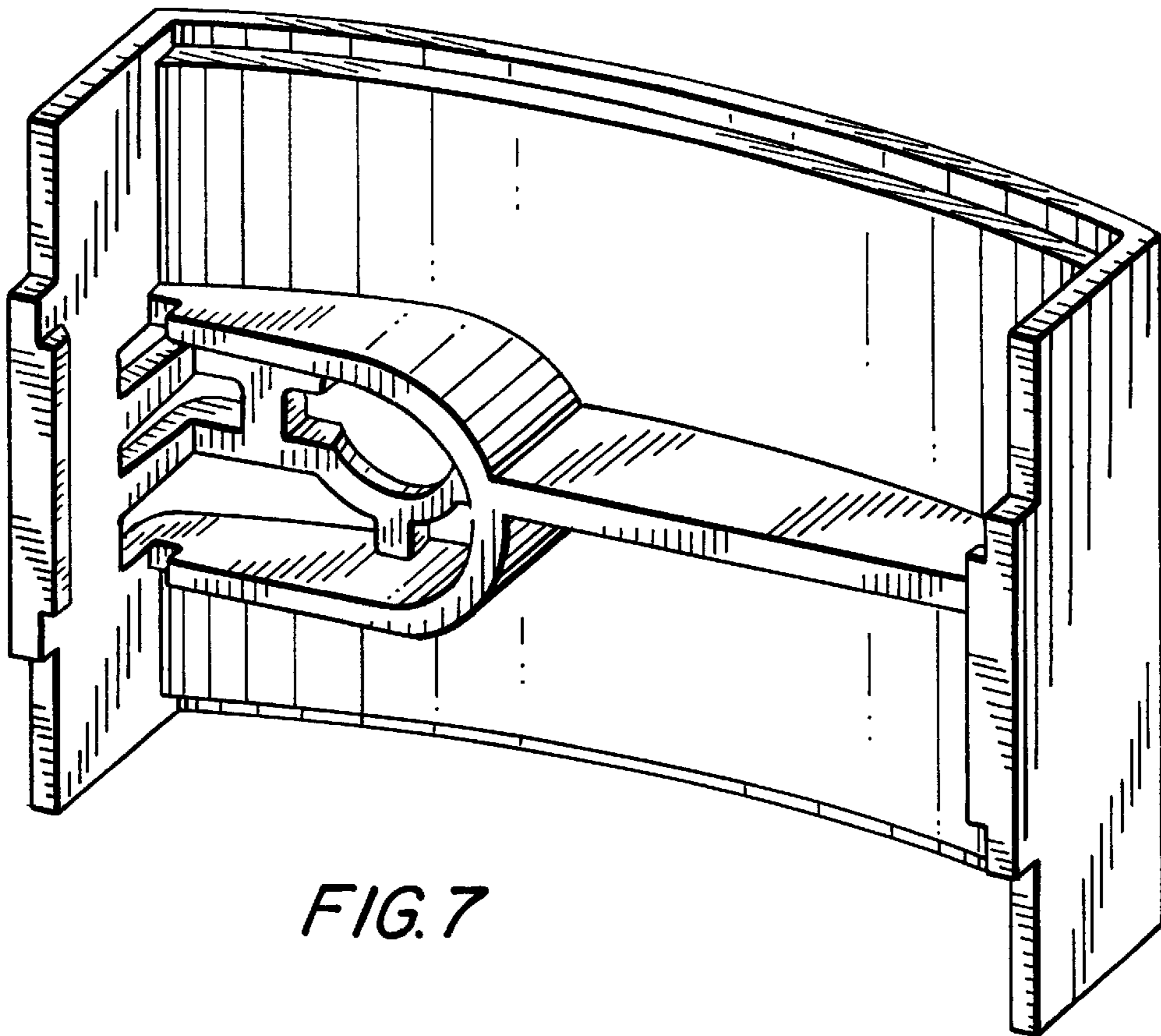
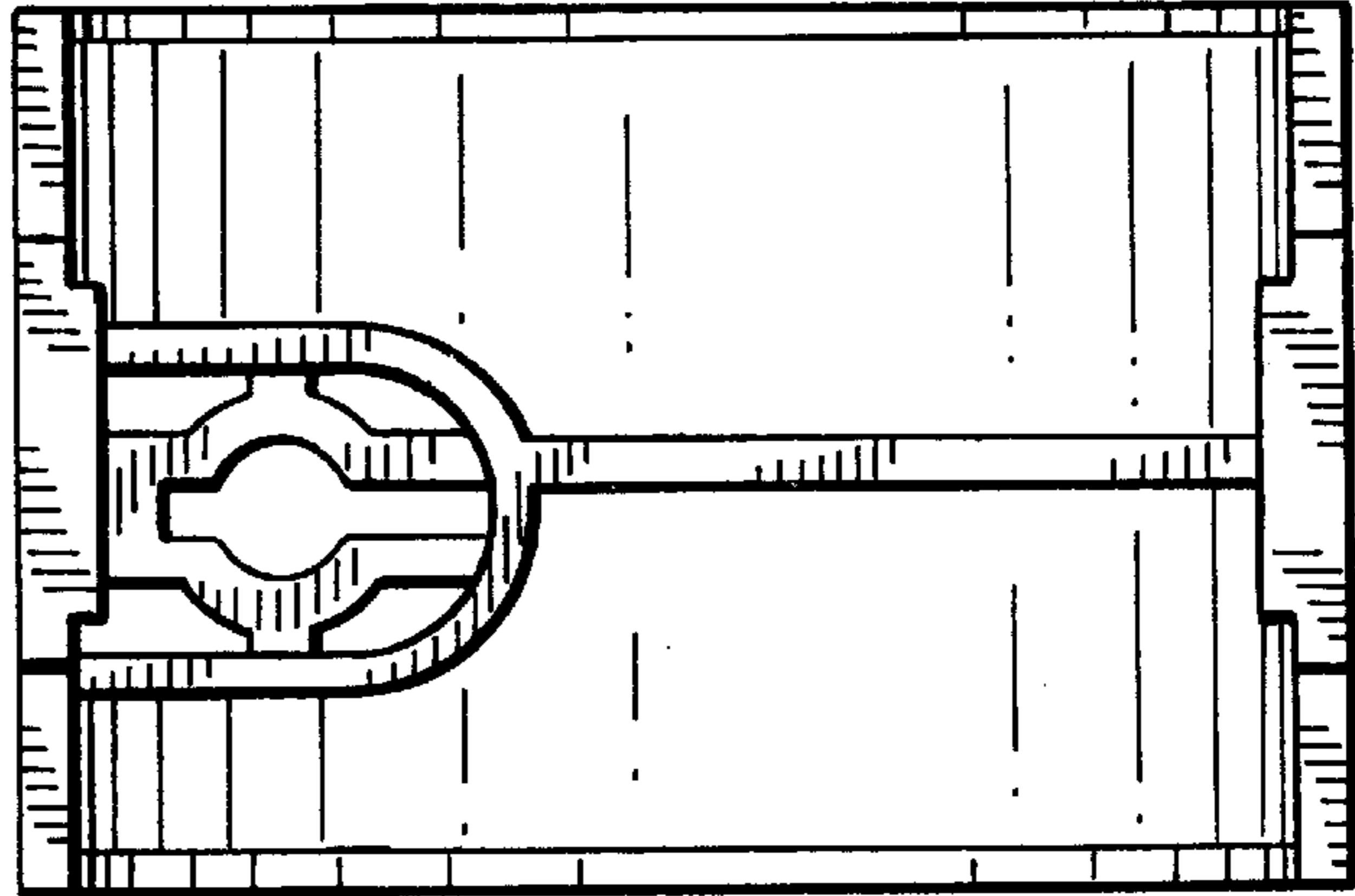


FIG. 7