



US00D472485S

(12) **United States Design Patent**
Murase

(10) **Patent No.:** **US D472,485 S**

(45) **Date of Patent:** **** Apr. 1, 2003**

(54) **SCALE**

(75) Inventor: **Miwako Murase**, Tokyo (JP)

(73) Assignee: **Tanita Corporation**, Tokyo (JP)

(**) Term: **14 Years**

(21) Appl. No.: **29/160,878**

(22) Filed: **May 20, 2002**

(30) **Foreign Application Priority Data**

Nov. 21, 2001 (JP) 2001-034119

(51) **LOC (7) Cl.** **10-04**

(52) **U.S. Cl.** **D10/92**

(58) **Field of Search** D10/91, 92; 177/238-245

(56) **References Cited**

U.S. PATENT DOCUMENTS

D458,861 S * 6/2002 Andrieu D10/92

* cited by examiner

Primary Examiner—Antoine Duval Davis

(74) *Attorney, Agent, or Firm*—McDermott, Will & Emery

(57) **CLAIM**

The ornamental design for a scale, as shown and described.

DESCRIPTION

FIG. 1 is a perspective view from above of a scale according to my novel design;

FIG. 2 is a front view of the scale of FIG. 1;

FIG. 3 is a rear view of the scale of FIG. 1;

FIG. 4 is a right side view of the scale of FIG. 1, the left side view thereof being symmetrical thereto;

FIG. 5 is a plan view of the scale of FIG. 1;

FIG. 6 is a bottom view of the scale of FIG. 1; and,

FIG. 7 is a plan view of the scale of FIG. 1 with the display being switched on and the cover of the setting section being open.

1 Claim, 4 Drawing Sheets

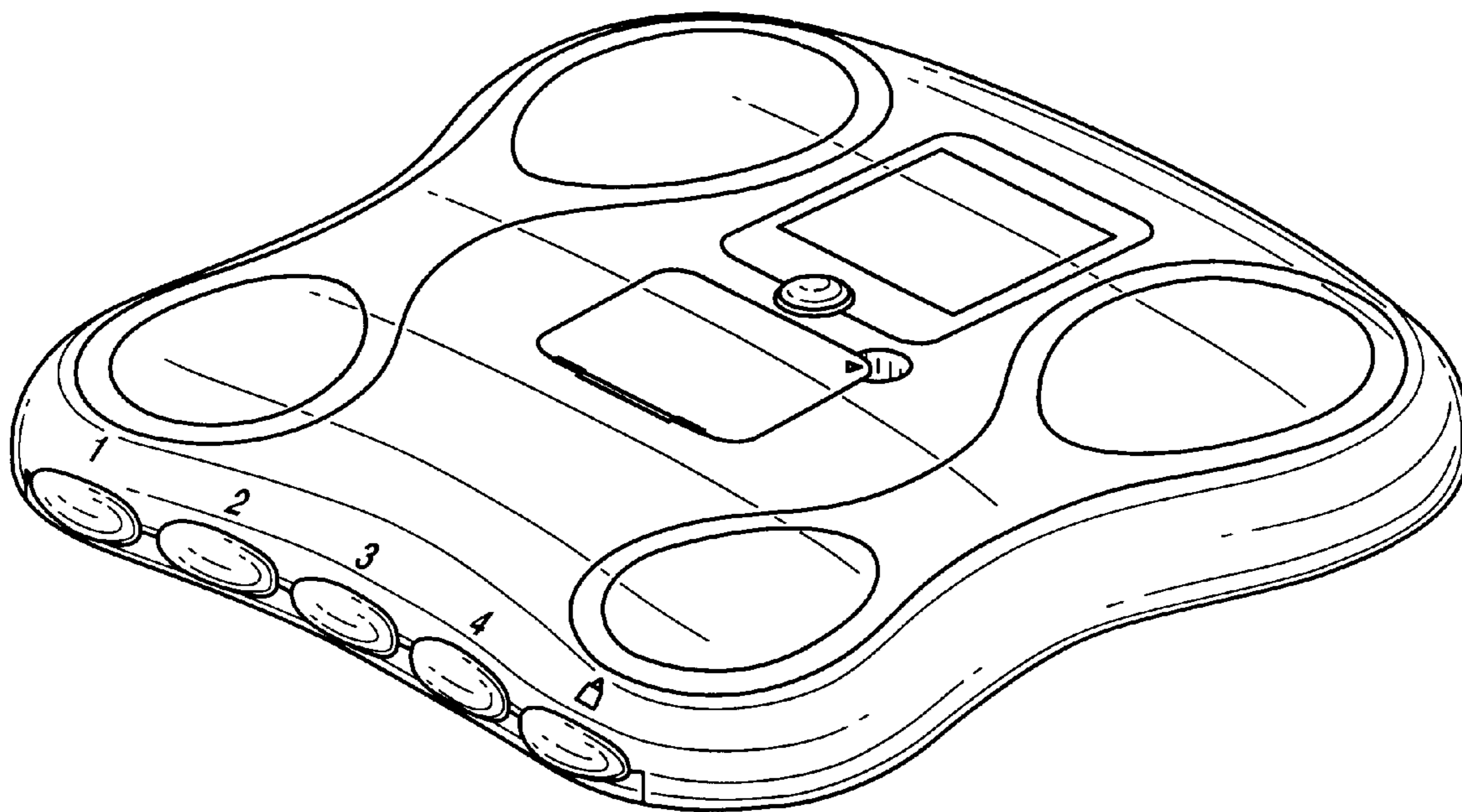


FIG. 1

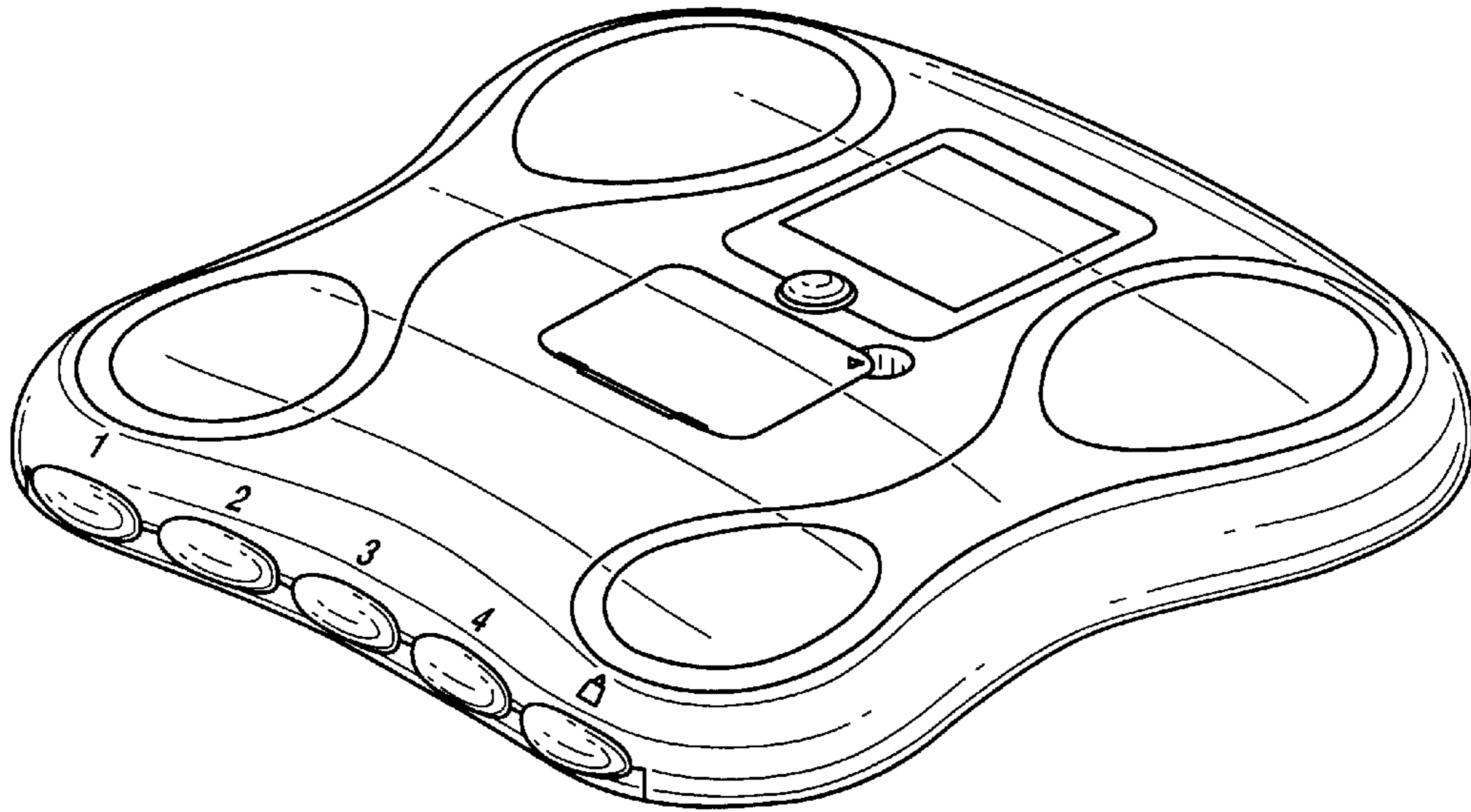


FIG. 2

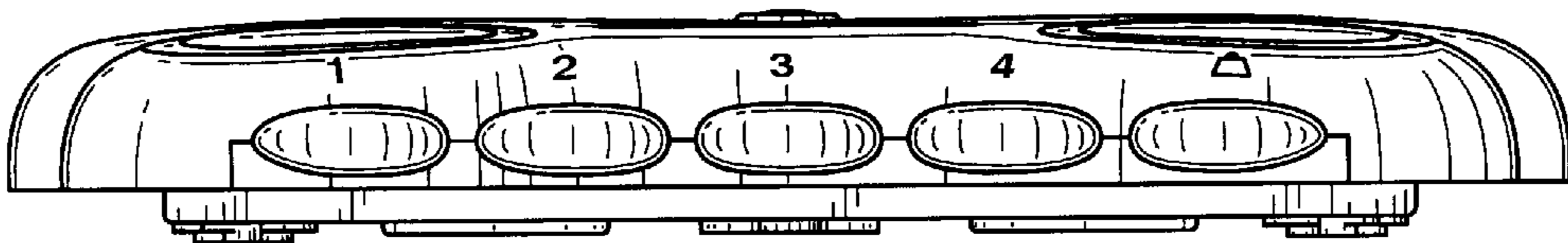


FIG. 3

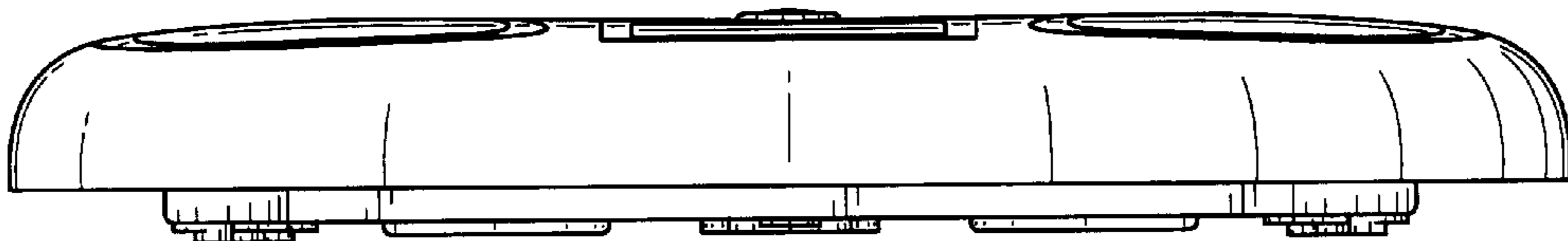


FIG. 4

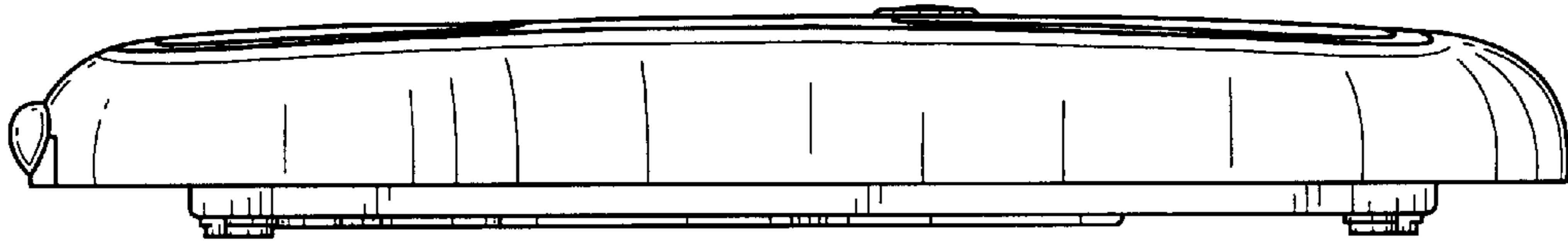


FIG. 5

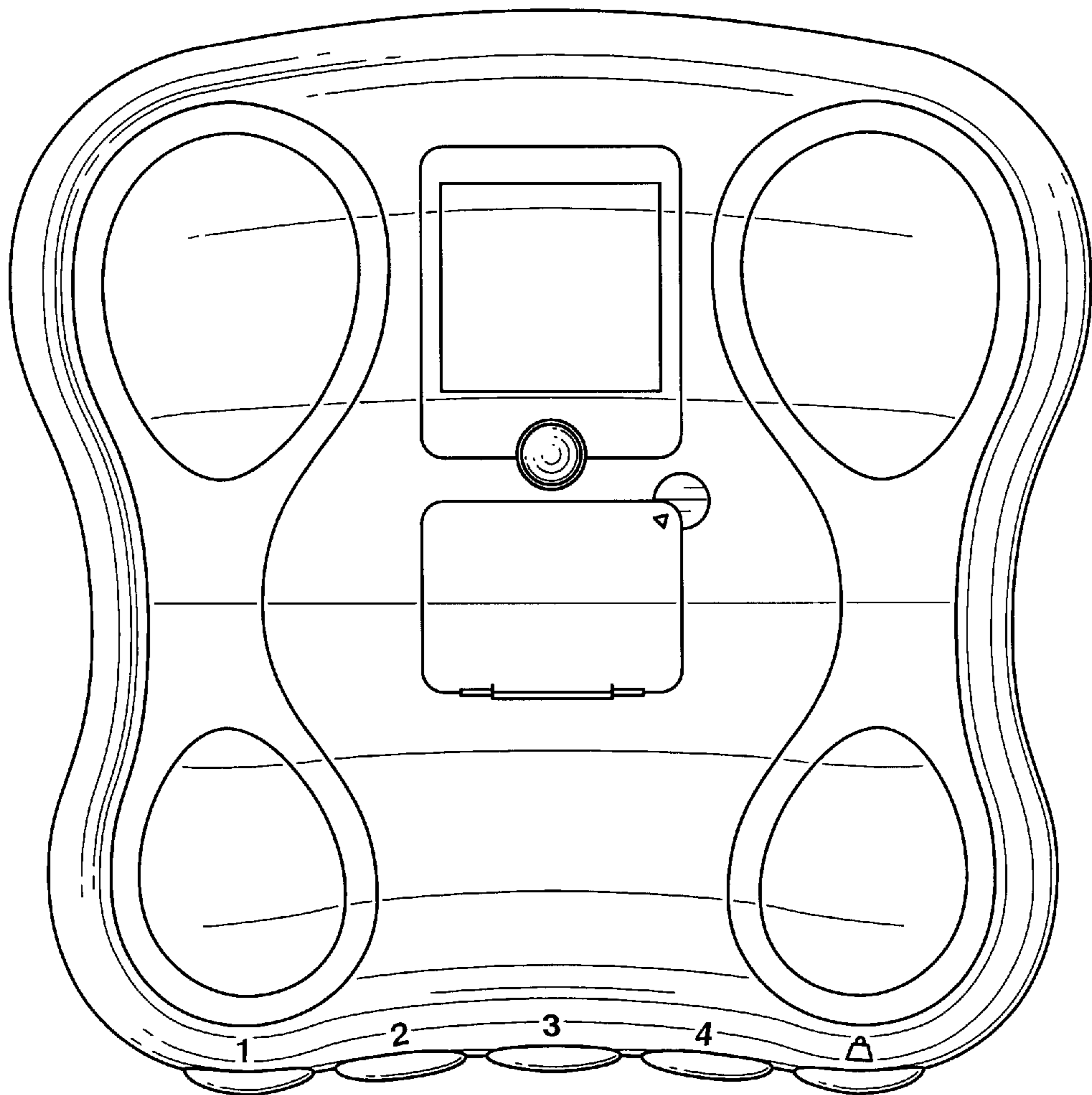


FIG. 6

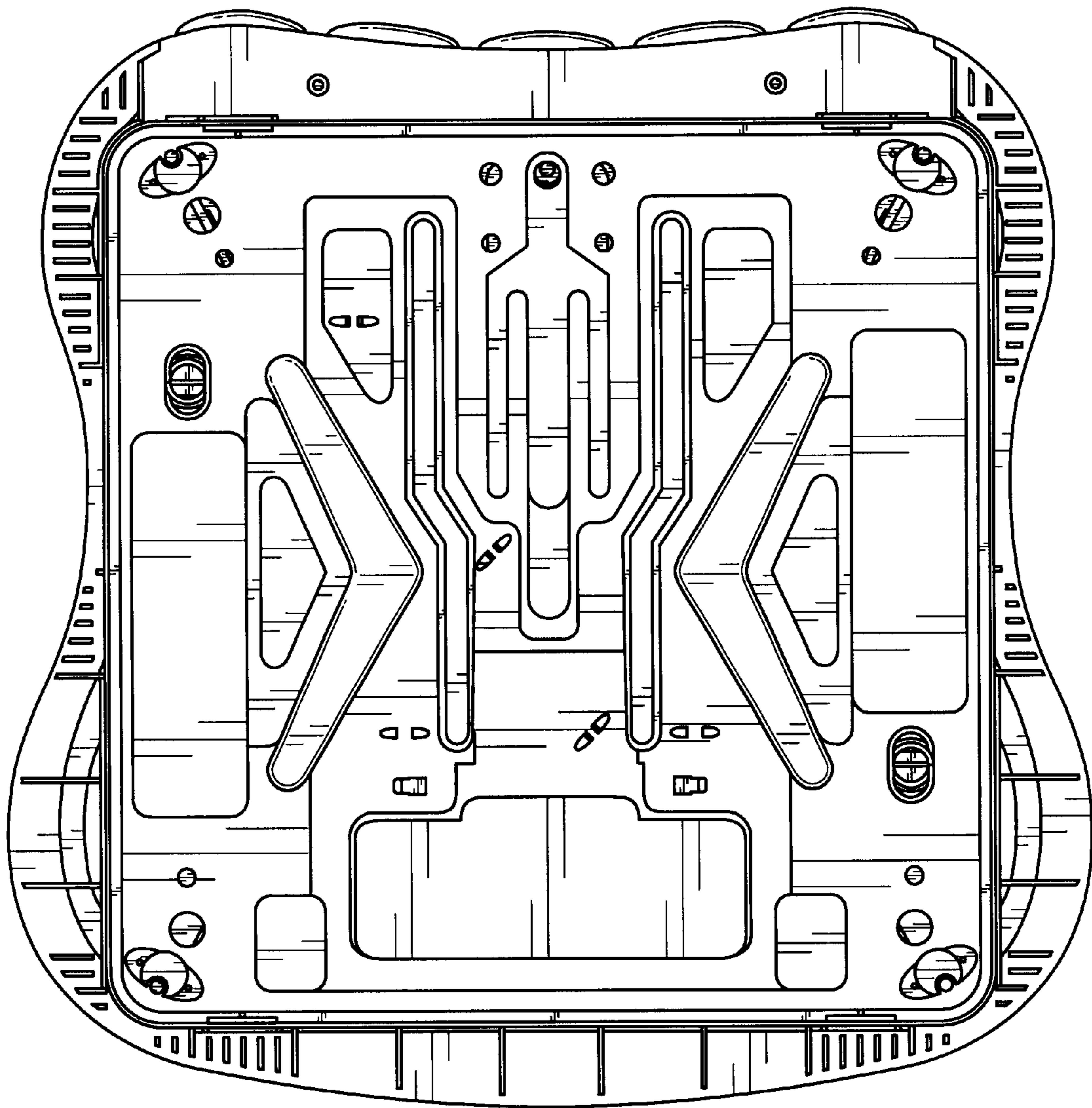


FIG. 7

