



US00D472484S

(12) **United States Design Patent**  
**Connolly et al.**

(10) **Patent No.: US D472,484 S**  
(45) **Date of Patent: \*\* Apr. 1, 2003**

(54) **CHEMICAL MEASURING AND INJECTING DEVICE**

(76) Inventors: **Daniel L. Connolly**, 602 11th St. South, Benson, MN (US) 56215; **Steven W. Claussen**, 711 13th St. South, Benson, MN (US) 56215; **Robert L. Claussen**, 712 17th St. South, Benson, MN (US) 56215

(\*\*) Term: **14 Years**

(21) Appl. No.: **29/160,049**

(22) Filed: **May 2, 2002**

(51) **LOC (7) Cl. .... 10-04**

(52) **U.S. Cl. .... D10/81**

(58) **Field of Search ..... D10/81; 222/251, 222/252, 282, 318, 320, 383.1-386, 565**

(56) **References Cited**

**U.S. PATENT DOCUMENTS**

4,856,683 A \* 8/1989 Beaston ..... 222/318

\* cited by examiner

*Primary Examiner*—Antoine Duval Davis

(74) *Attorney, Agent, or Firm*—William L. Huebsch

(57) **CLAIM**

The ornamental design for a chemical measuring and injecting device, as shown.

**DESCRIPTION**

FIG. 1 is a top, left, front isometric view of a first embodiment of a chemical measuring and injecting device showing our new design;

FIG. 2 is a front view of the chemical measuring and injecting device of FIG. 1;

FIG. 3 is a rear view of the chemical measuring and injecting device of FIG. 1;

FIG. 4 is a left side view of the chemical measuring and injecting device of FIG. 1;

FIG. 5 is a right side view of the chemical measuring and injecting device of FIG. 1;

FIG. 6 is a top view of the chemical measuring and injecting device of FIG. 1;

FIG. 7 is a bottom view of the chemical measuring and injecting device of FIG. 1;

FIG. 8 is a top, left, front isometric view of a second embodiment of a chemical measuring and injecting device showing our new design;

FIG. 9 is a front view of the chemical measuring and injecting device of FIG. 8;

FIG. 10 is a rear view of the chemical measuring and injecting device of FIG. 8;

FIG. 11 is a left side view of the chemical measuring and injecting device of FIG. 8;

FIG. 12 is a right side view of the chemical measuring and injecting device of FIG. 8;

FIG. 13 is a top view of the chemical measuring and injecting device of FIG. 8;

FIG. 14 is a bottom view of the chemical measuring and injecting device of FIG. 8;

FIG. 15 is a top, left, front isometric view of a third embodiment of a chemical measuring and injecting device showing our new design;

FIG. 16 is a front view of the chemical measuring and injecting device of FIG. 15;

FIG. 17 is a rear view of the chemical measuring and injecting device of FIG. 15;

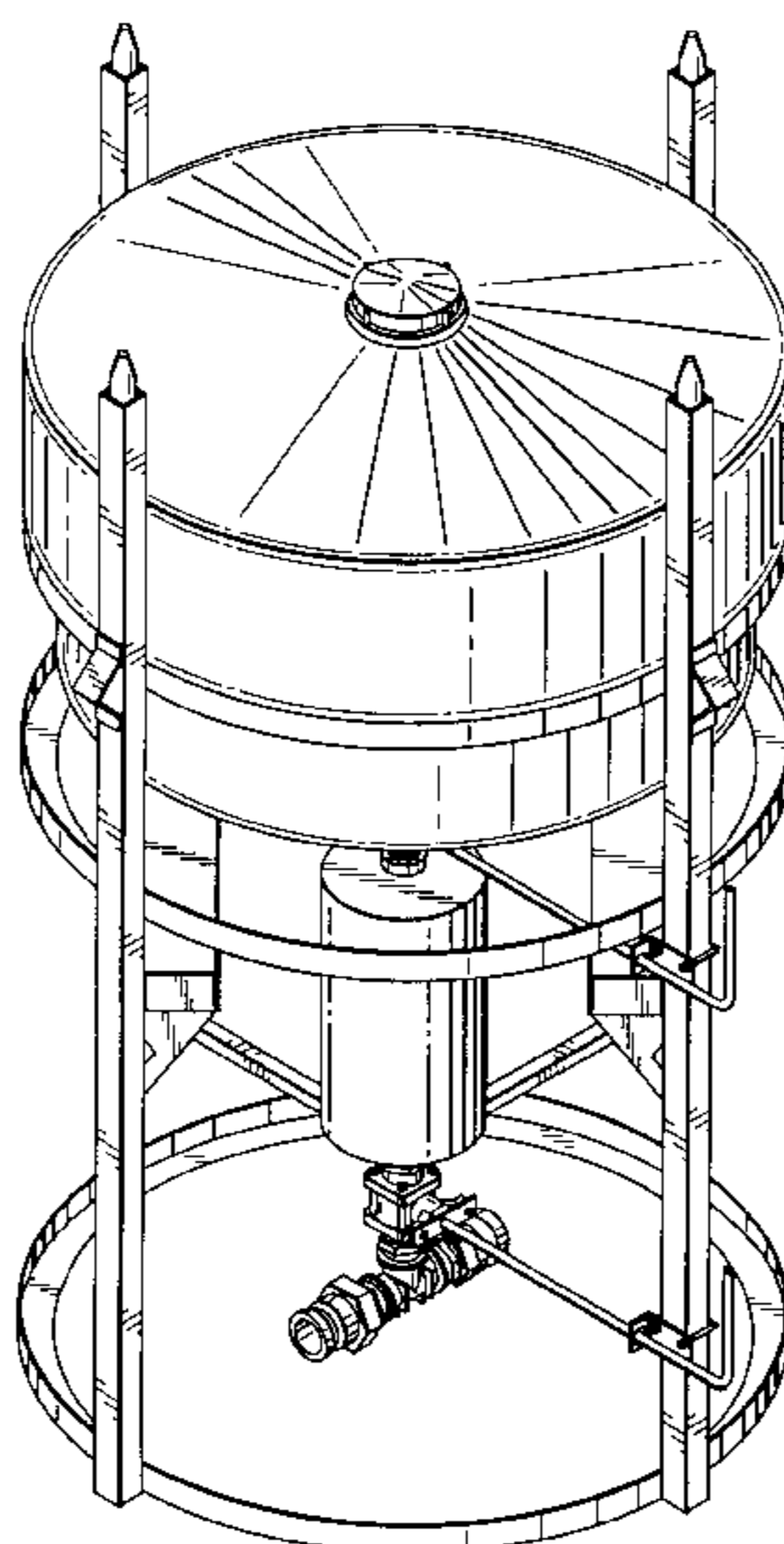
FIG. 18 is a right side view of the chemical measuring and injecting device of FIG. 15;

FIG. 19 is a left side view of the chemical measuring and injecting device of FIG. 15;

FIG. 20 is a top view of the chemical measuring and injecting device of FIG. 15; and,

FIG. 21 is a bottom view of the chemical measuring and injecting device of FIG. 15.

**1 Claim, 12 Drawing Sheets**



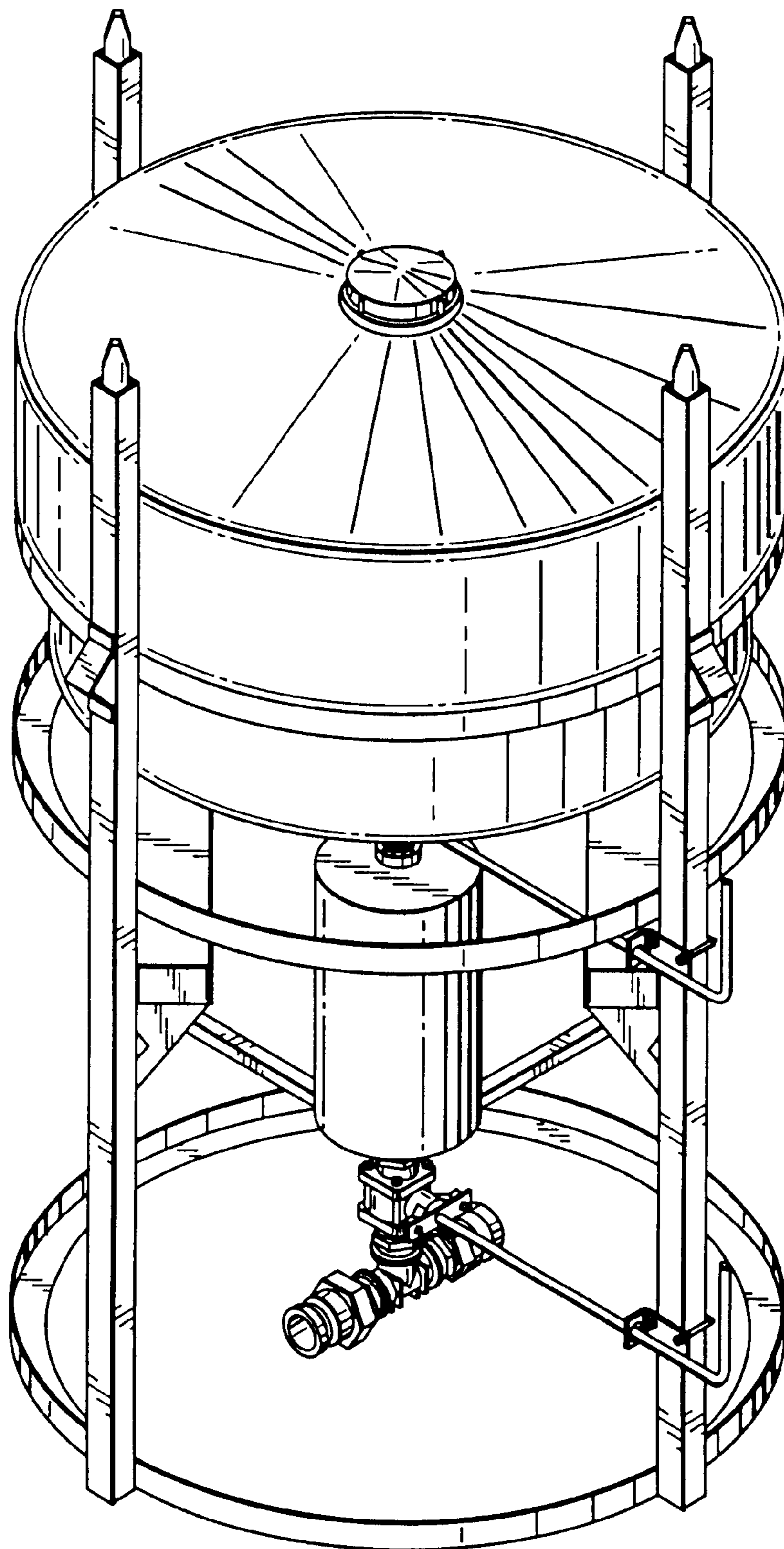


Fig. 1

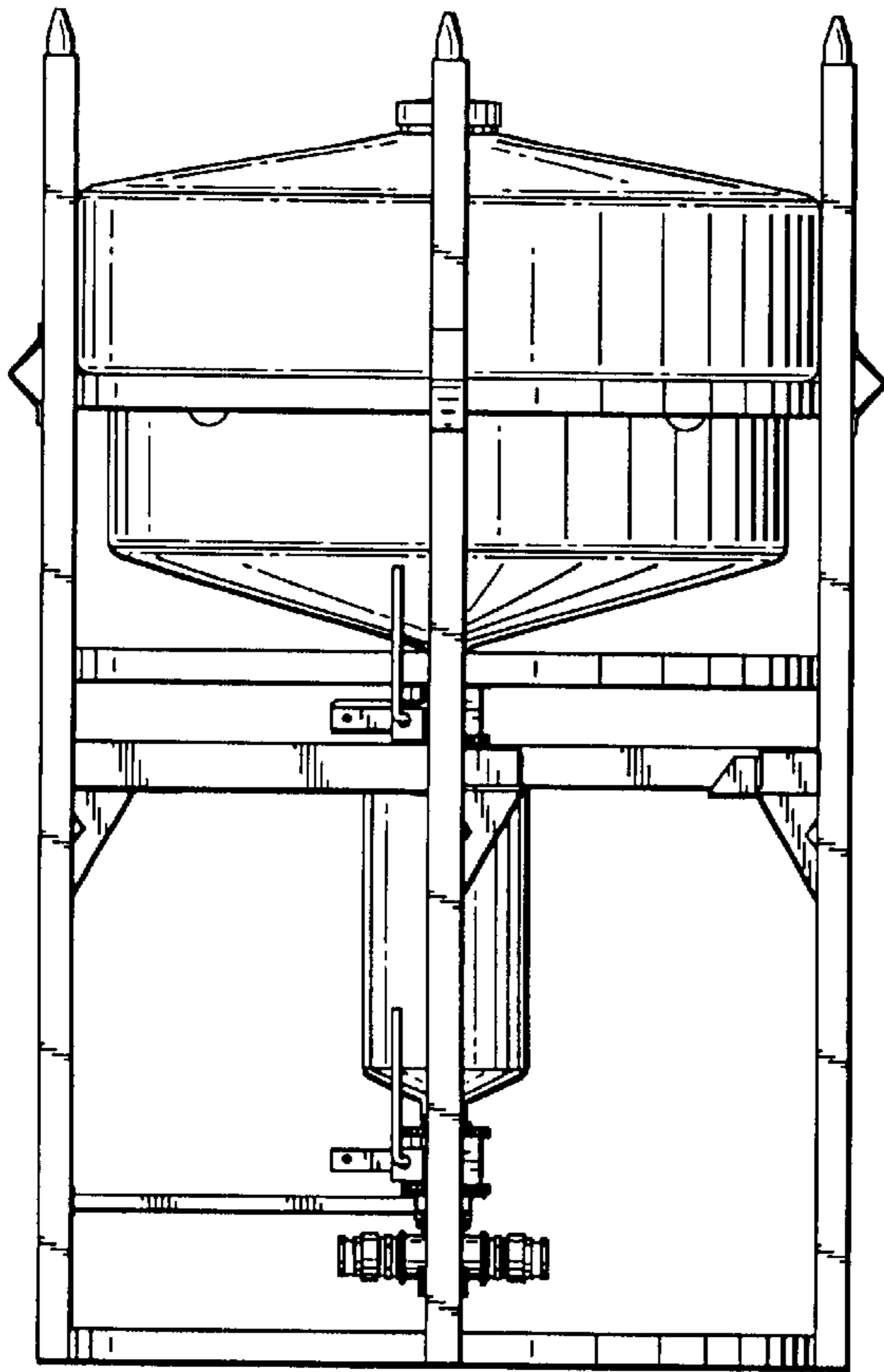


Fig. 2

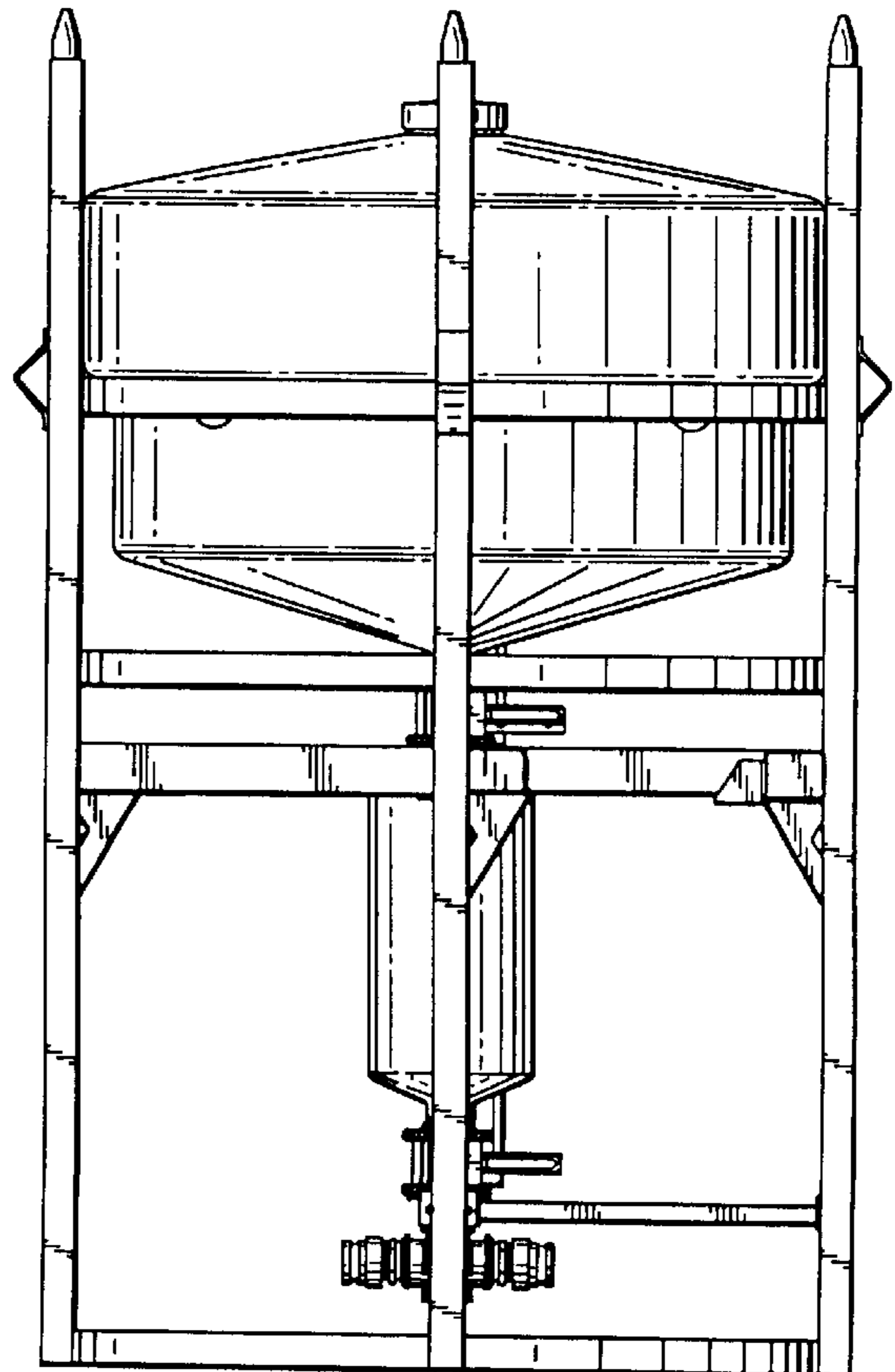


Fig. 3

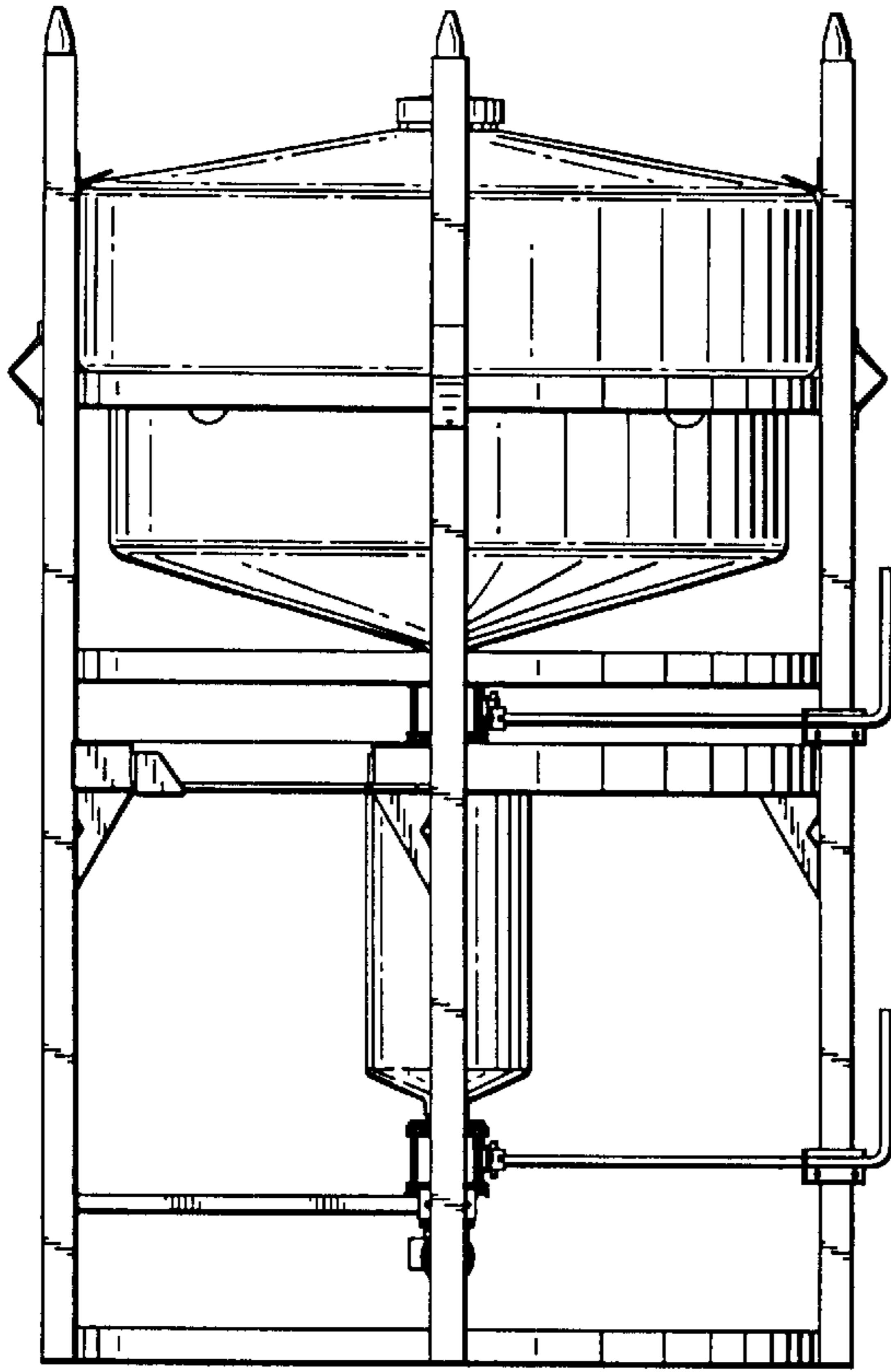


Fig. 4

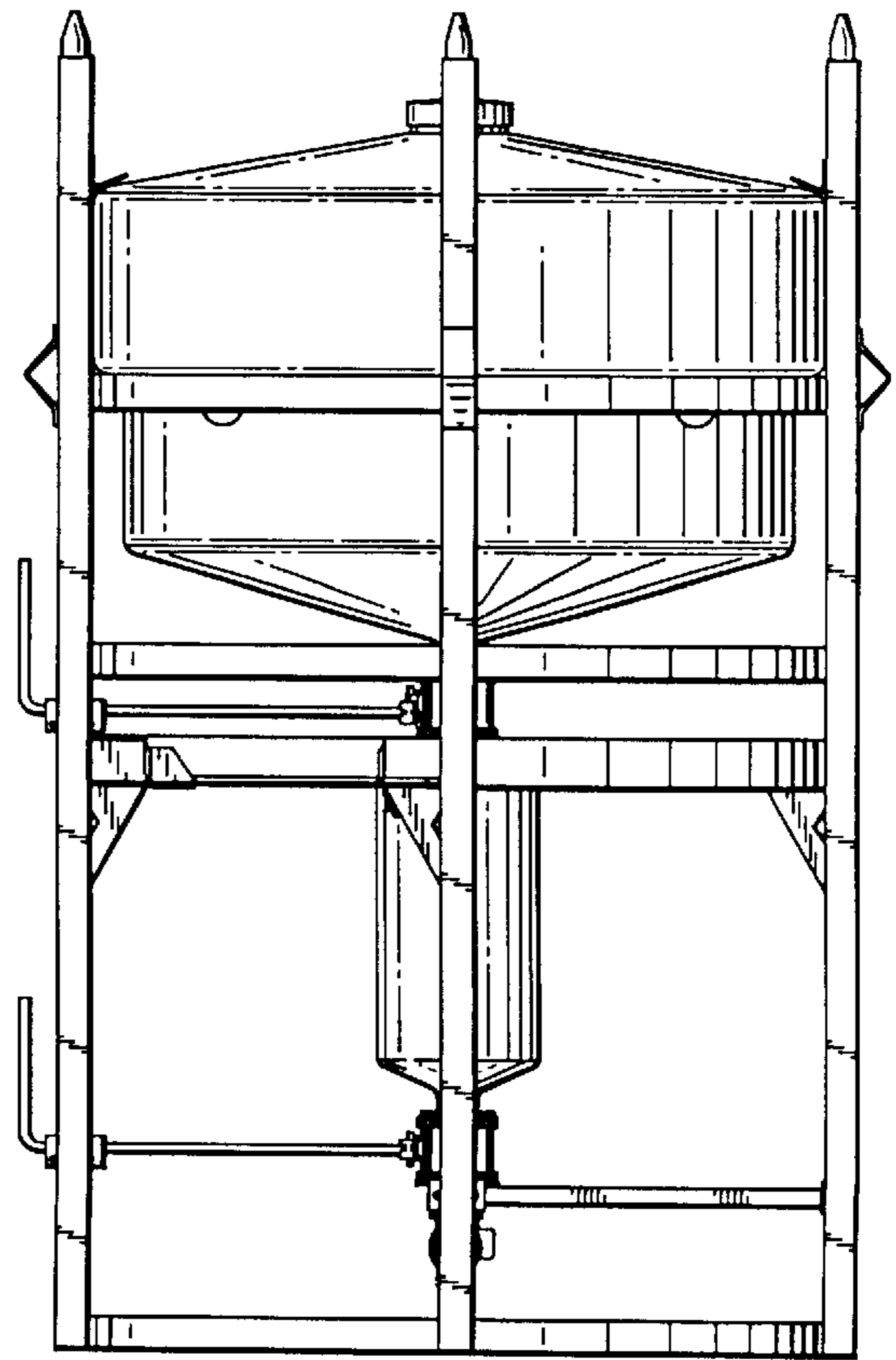


Fig. 5

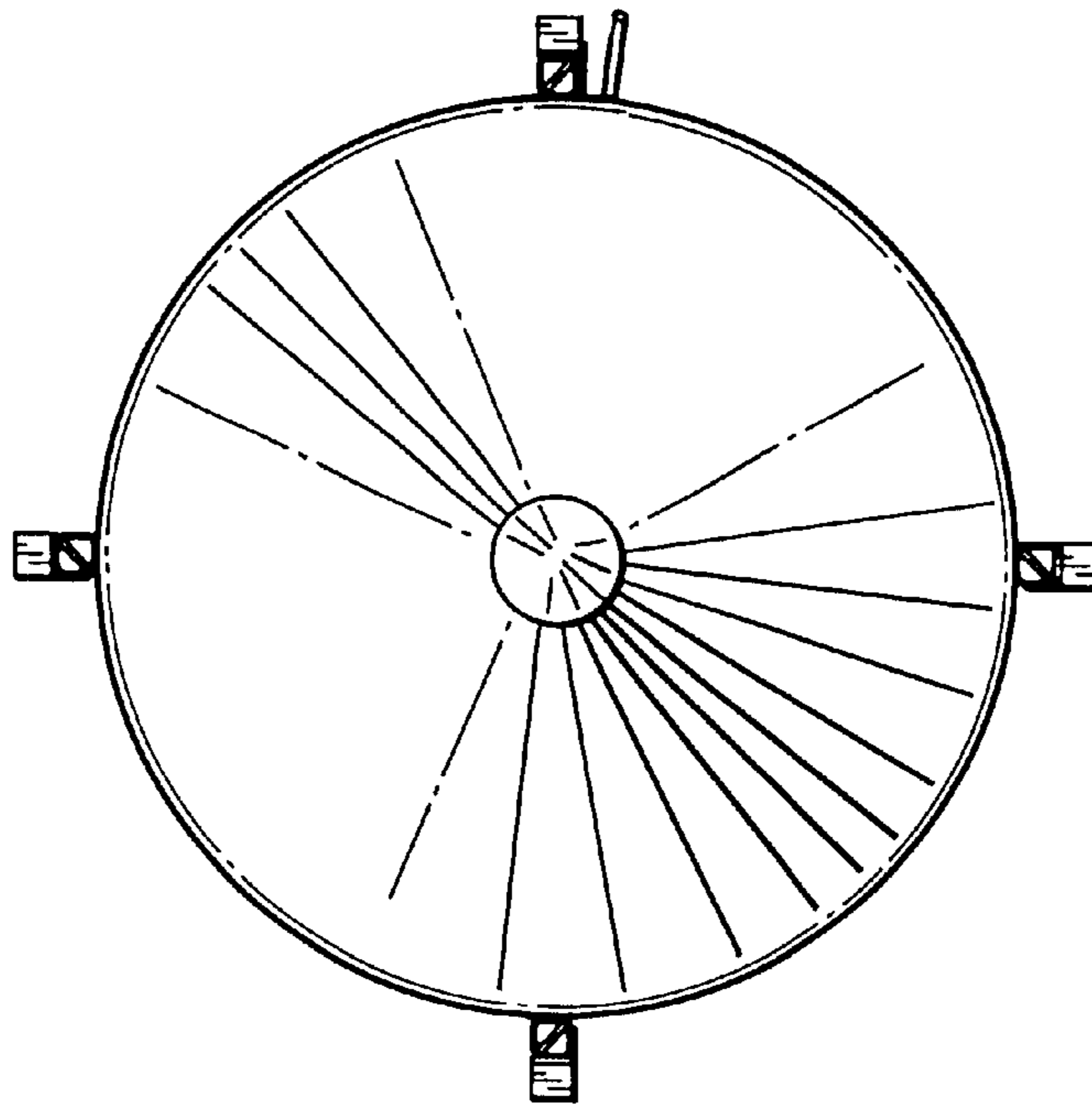


Fig. 6

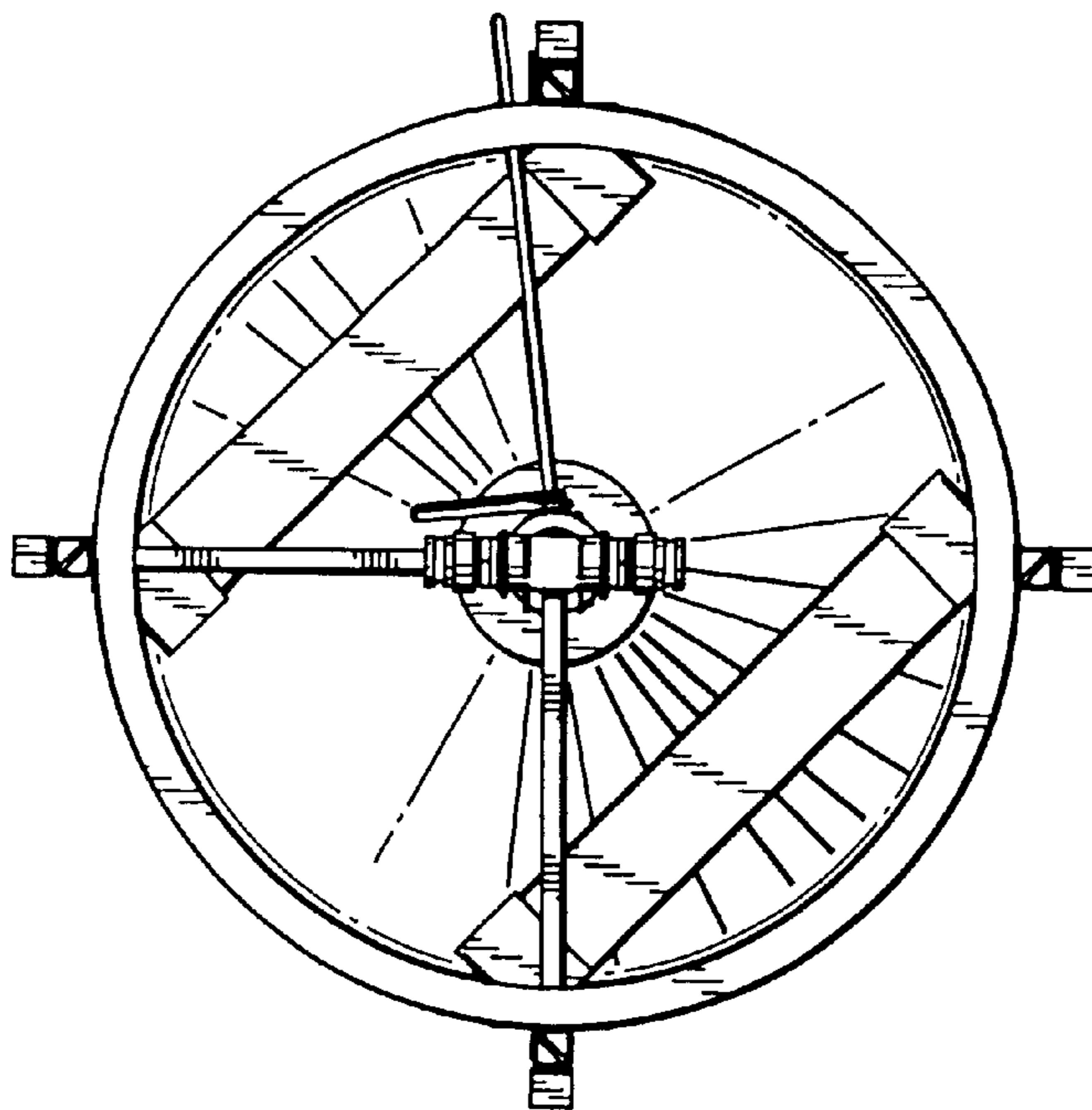


Fig. 7

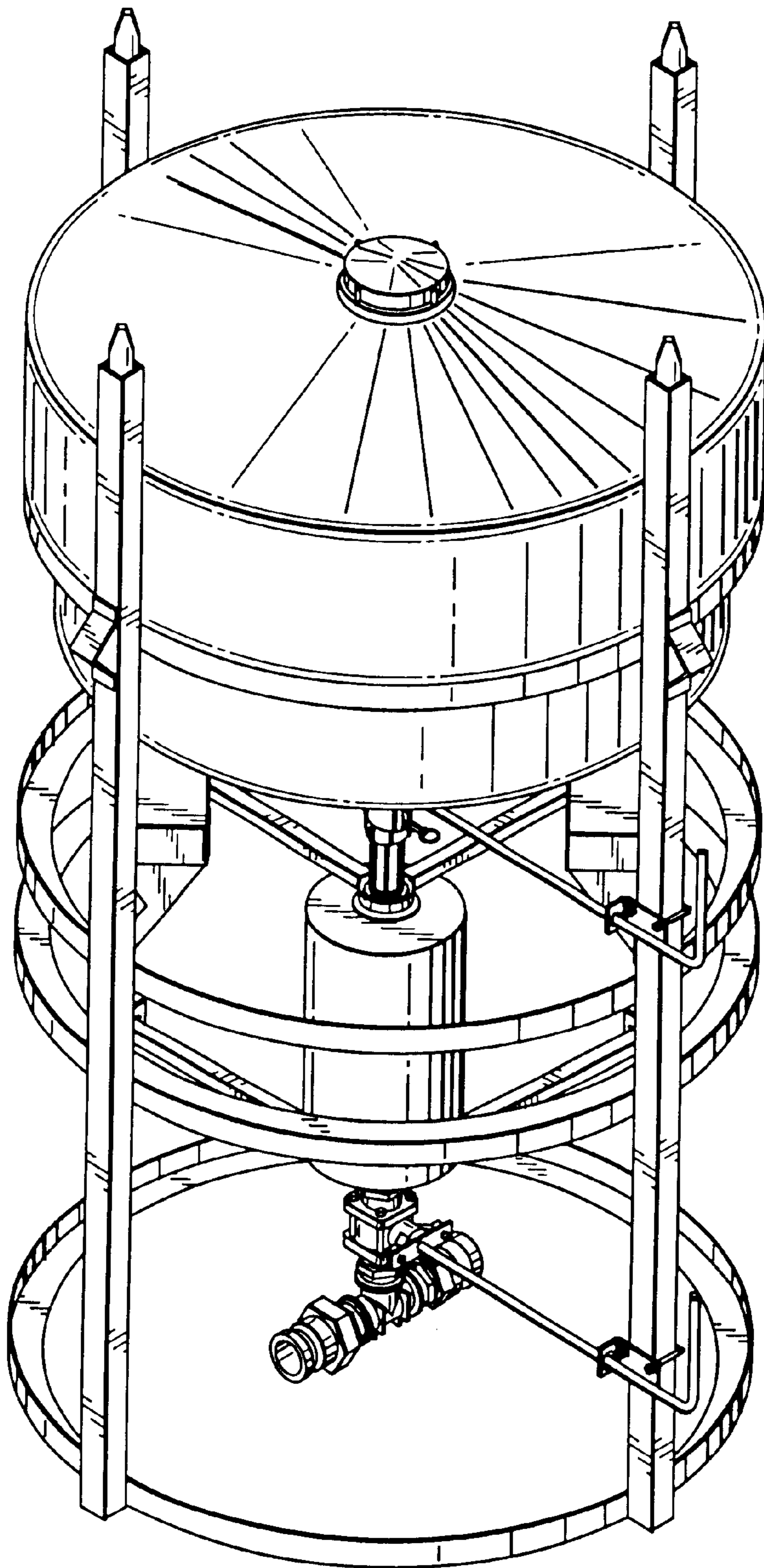


Fig. 8

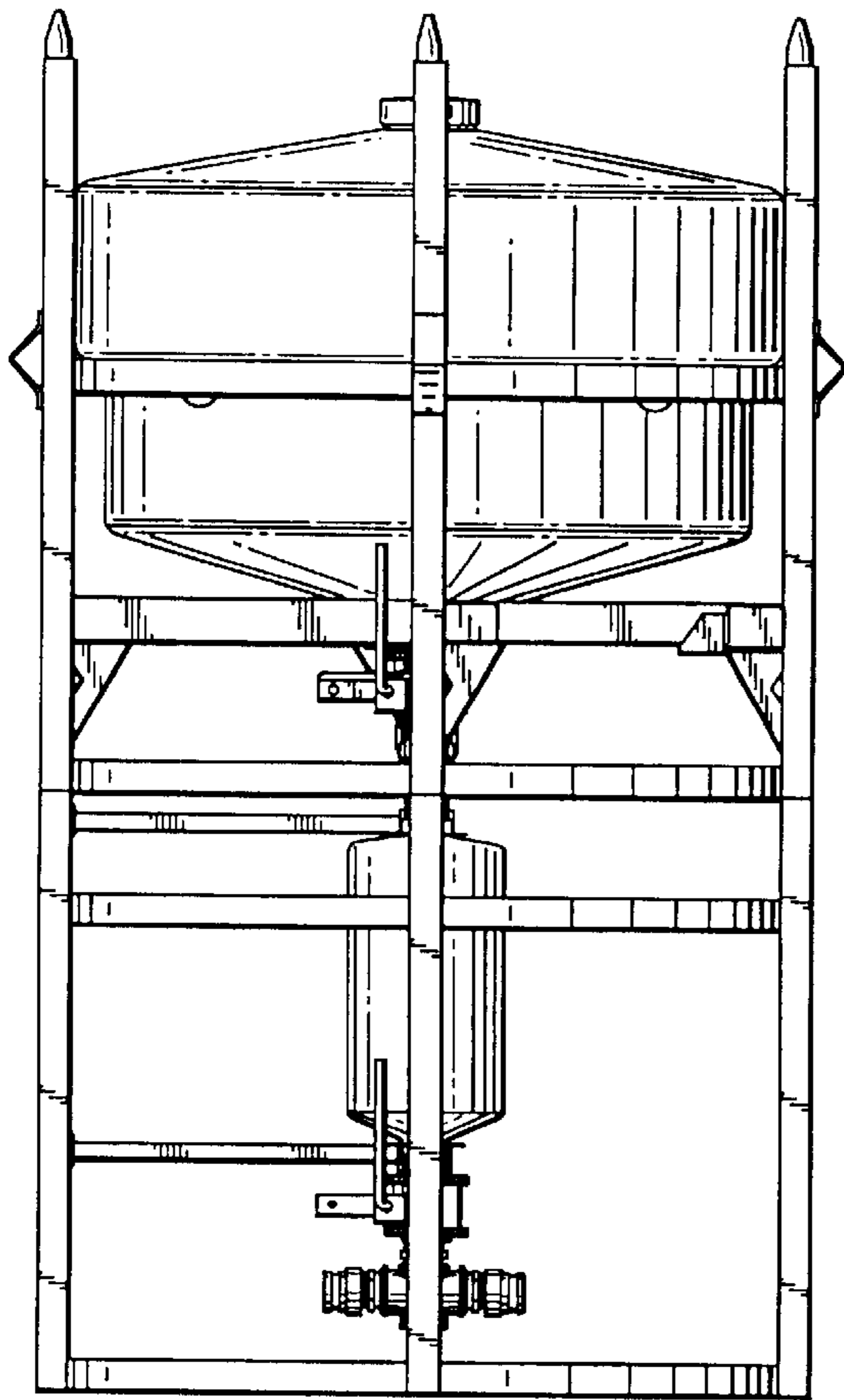


Fig. 9

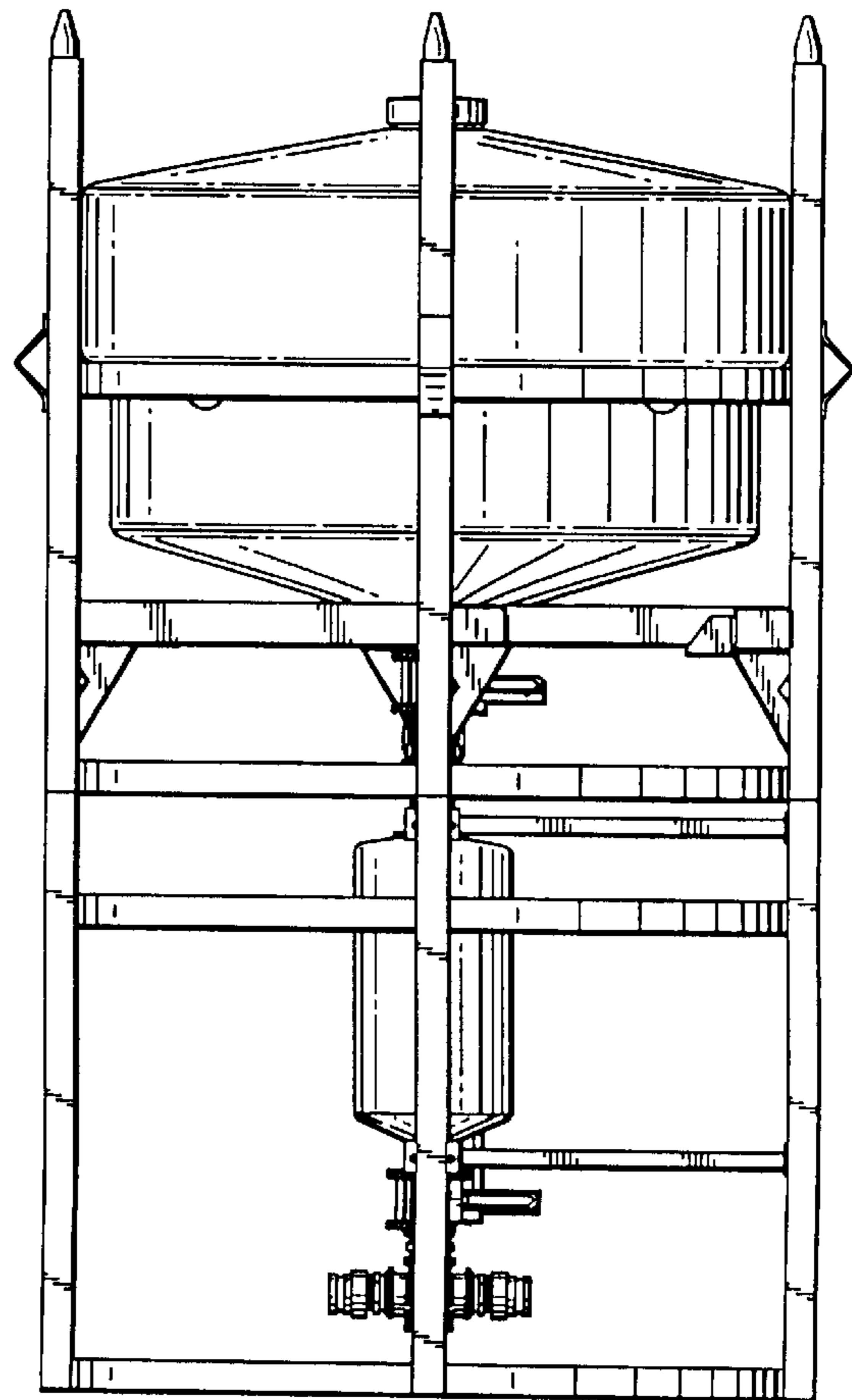


Fig. 10

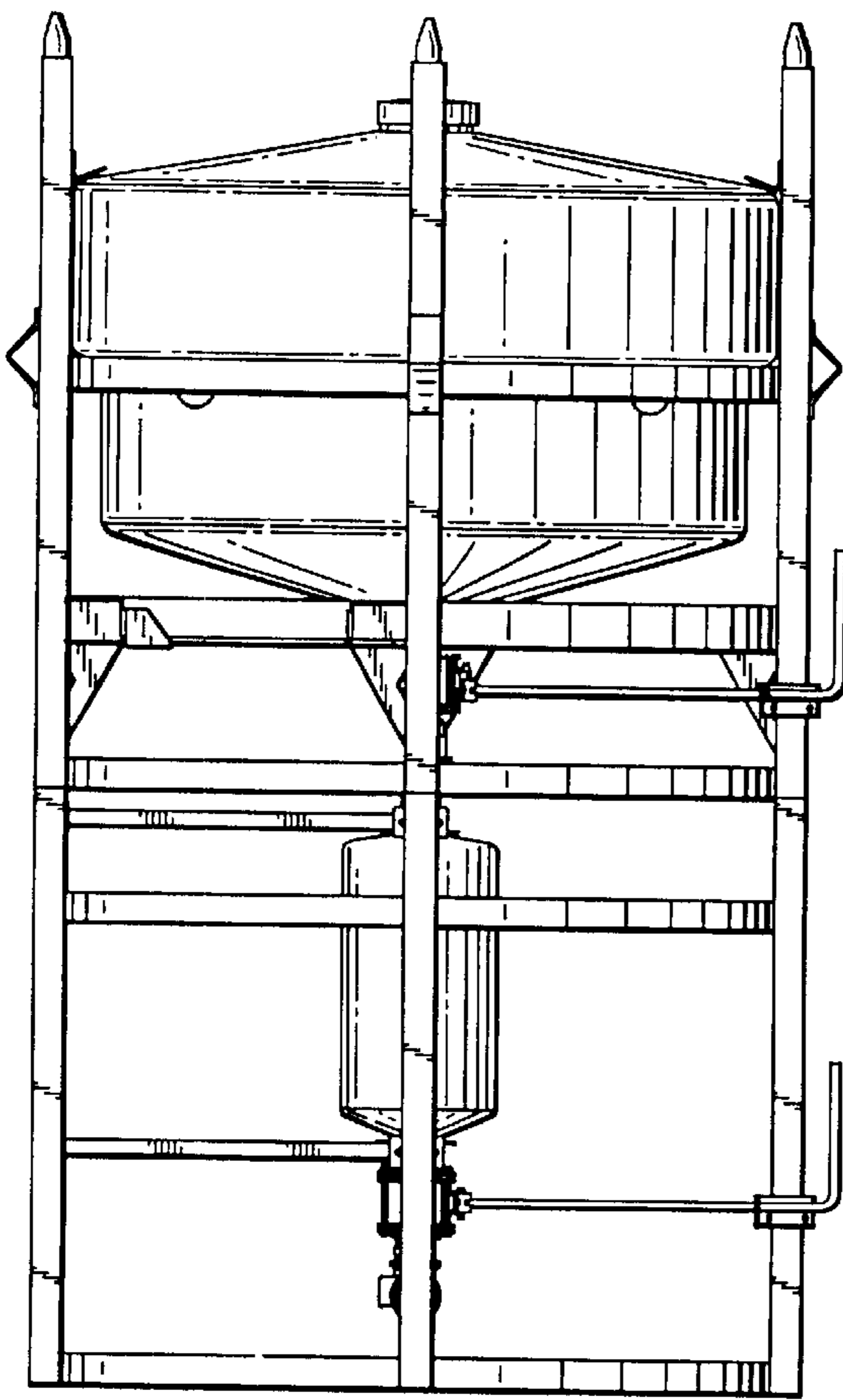


Fig. 11

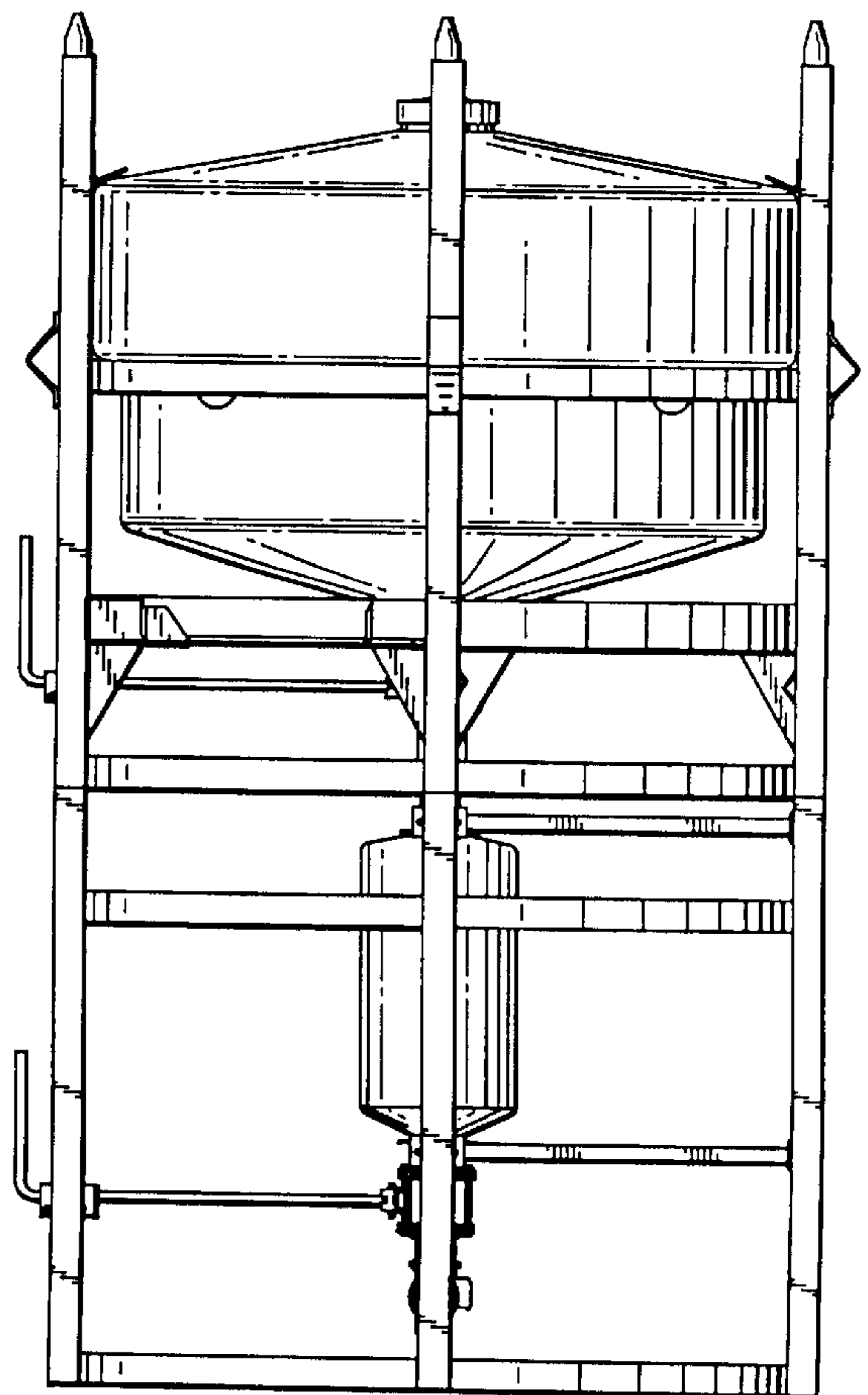


Fig. 12



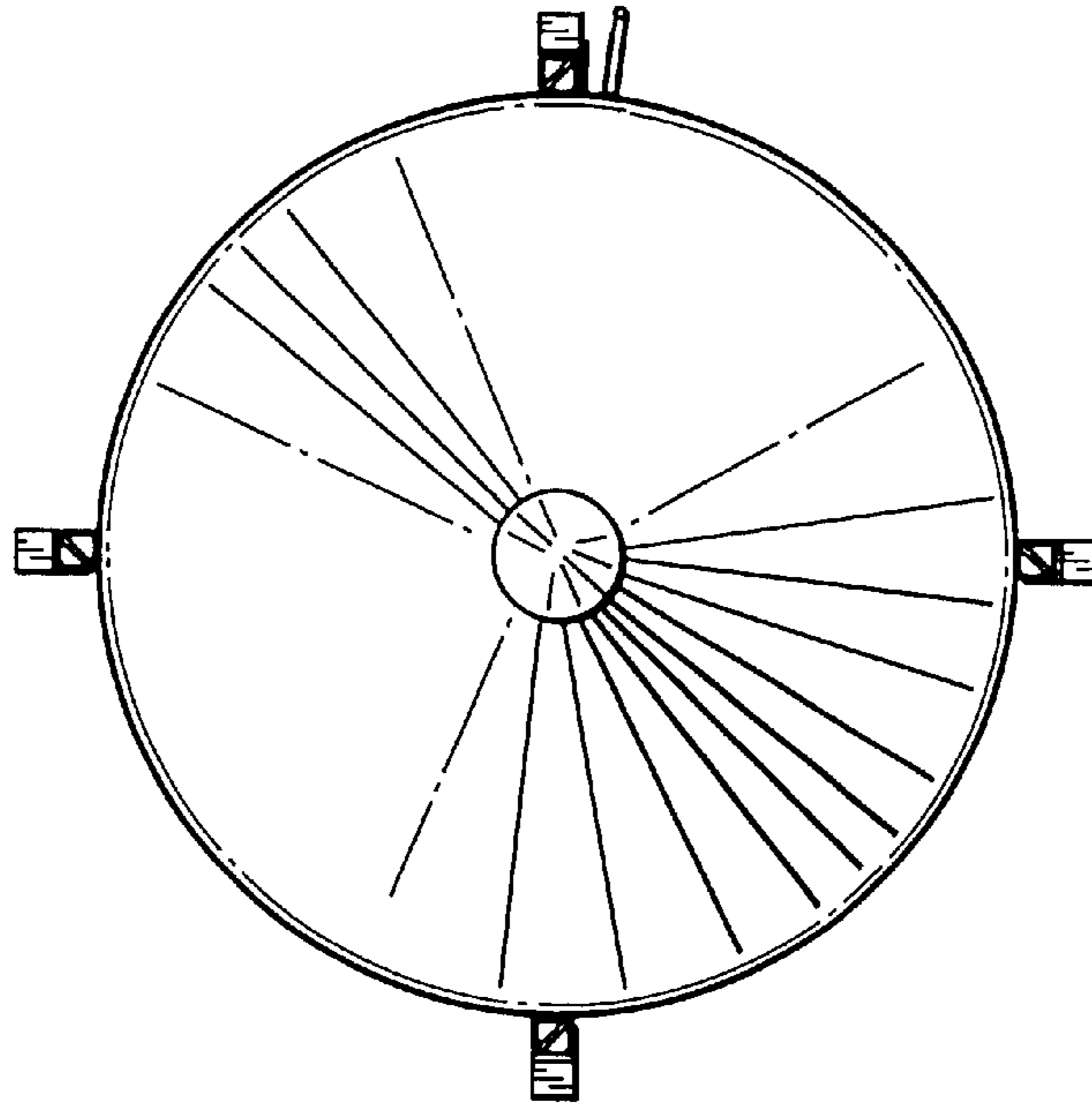


Fig. 13

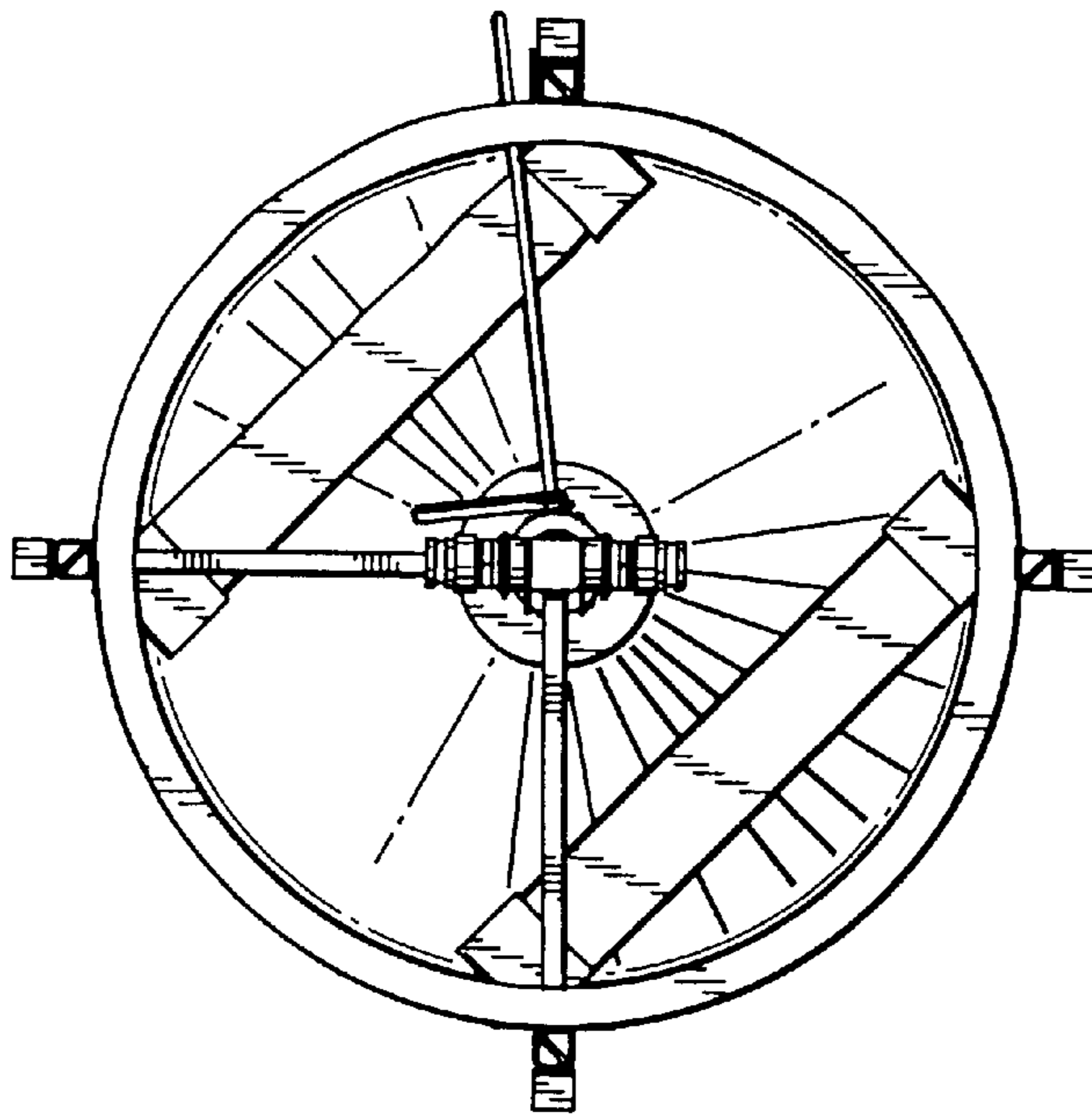


Fig. 14

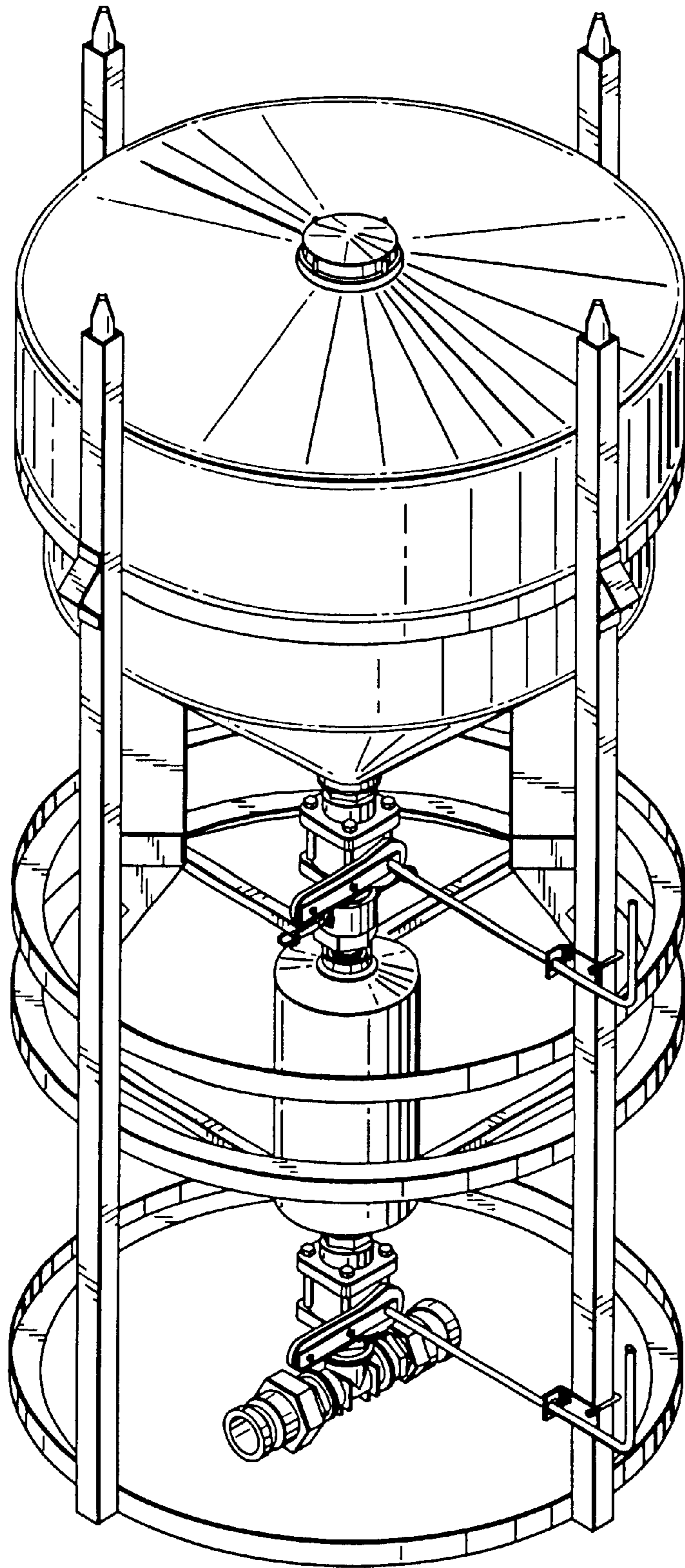


Fig. 15

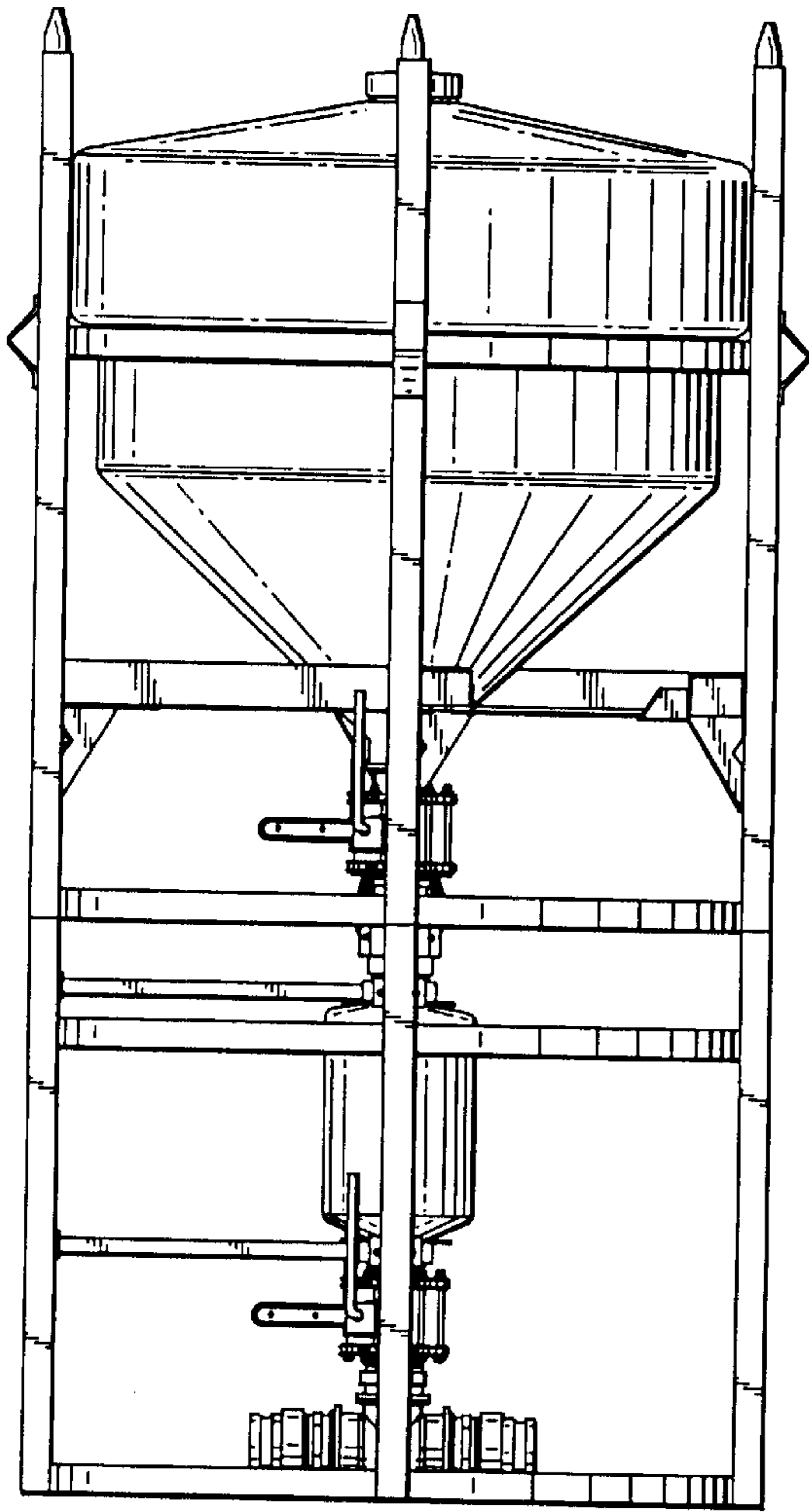


Fig. 16

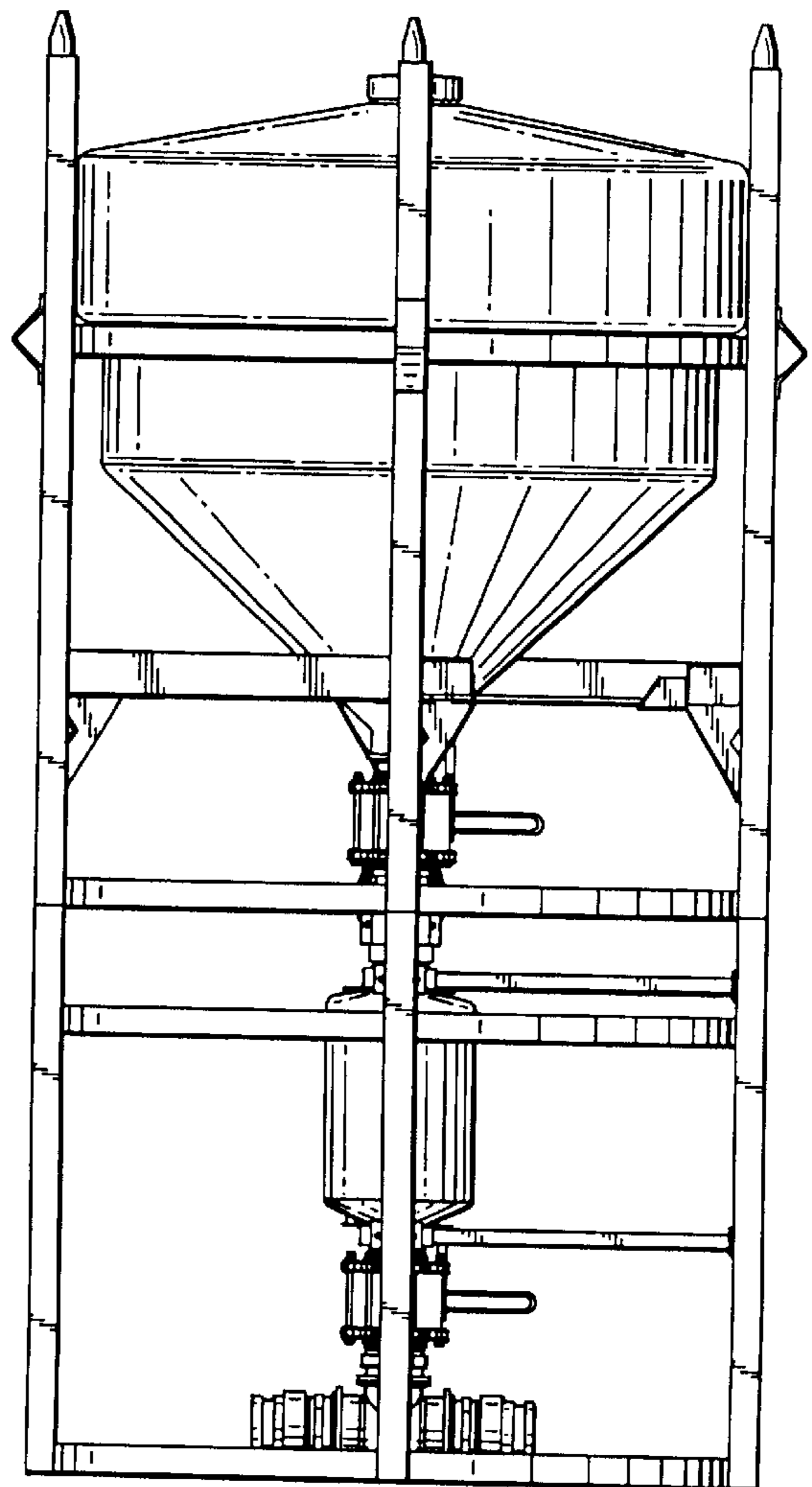


Fig. 17

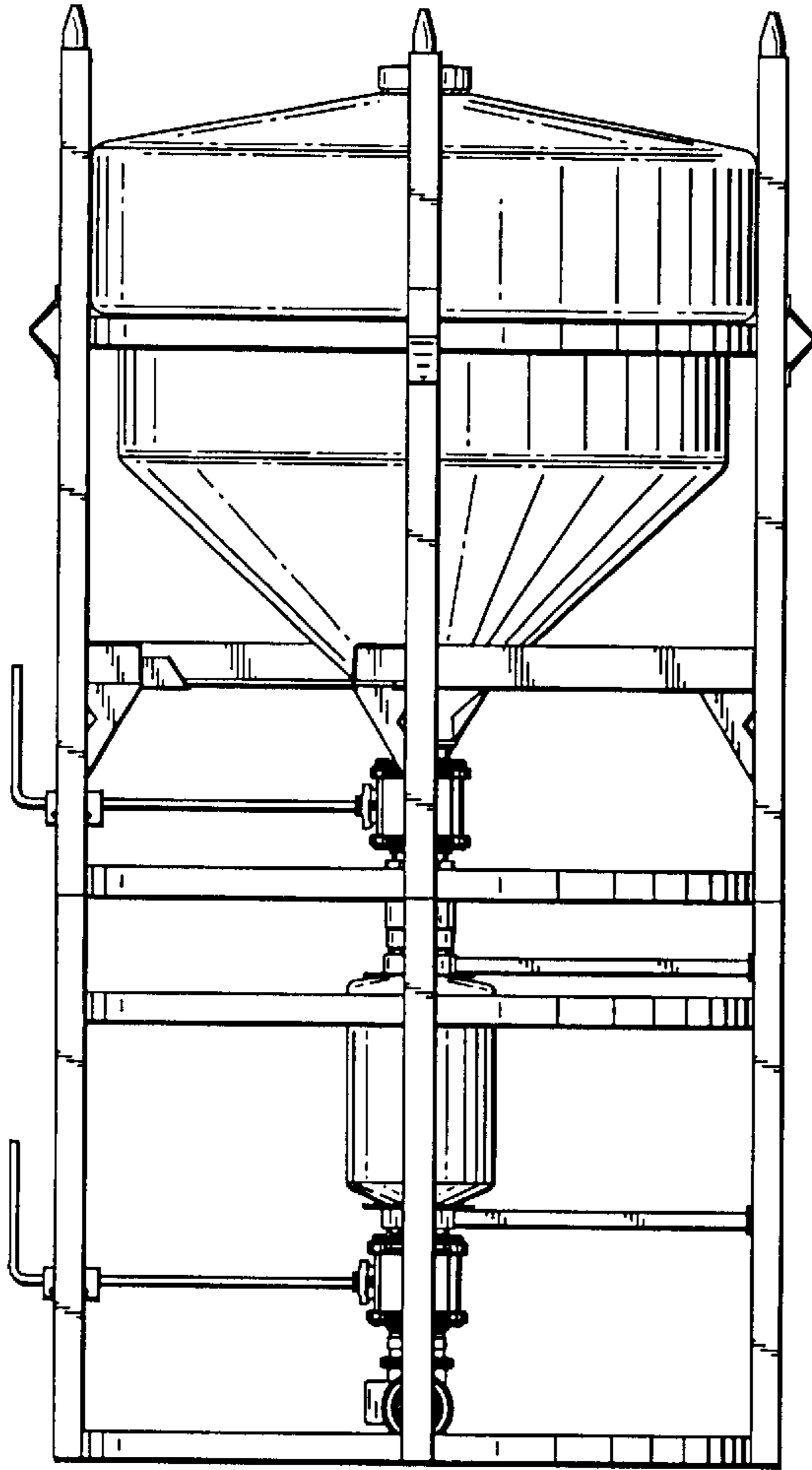


Fig. 18

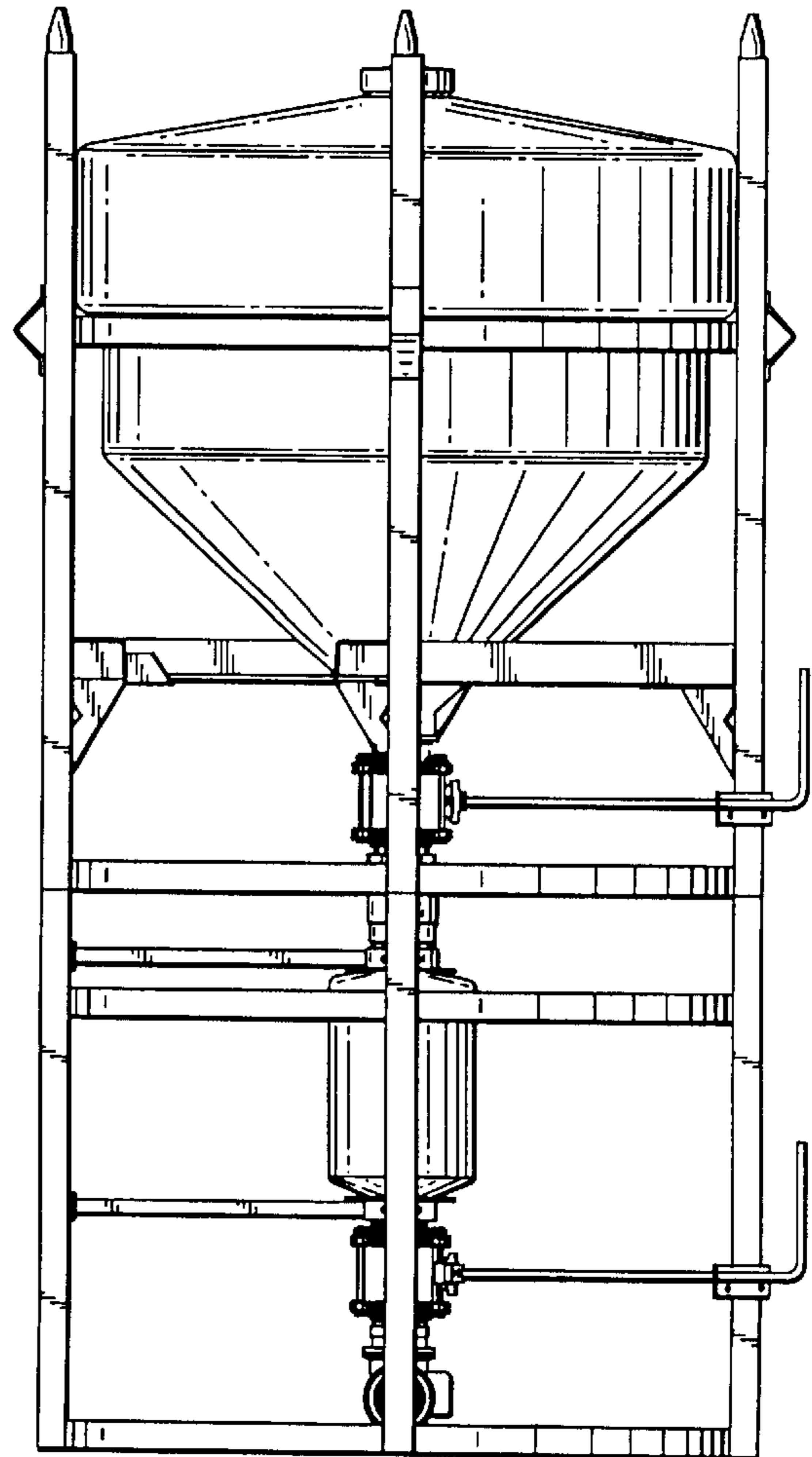


Fig. 19

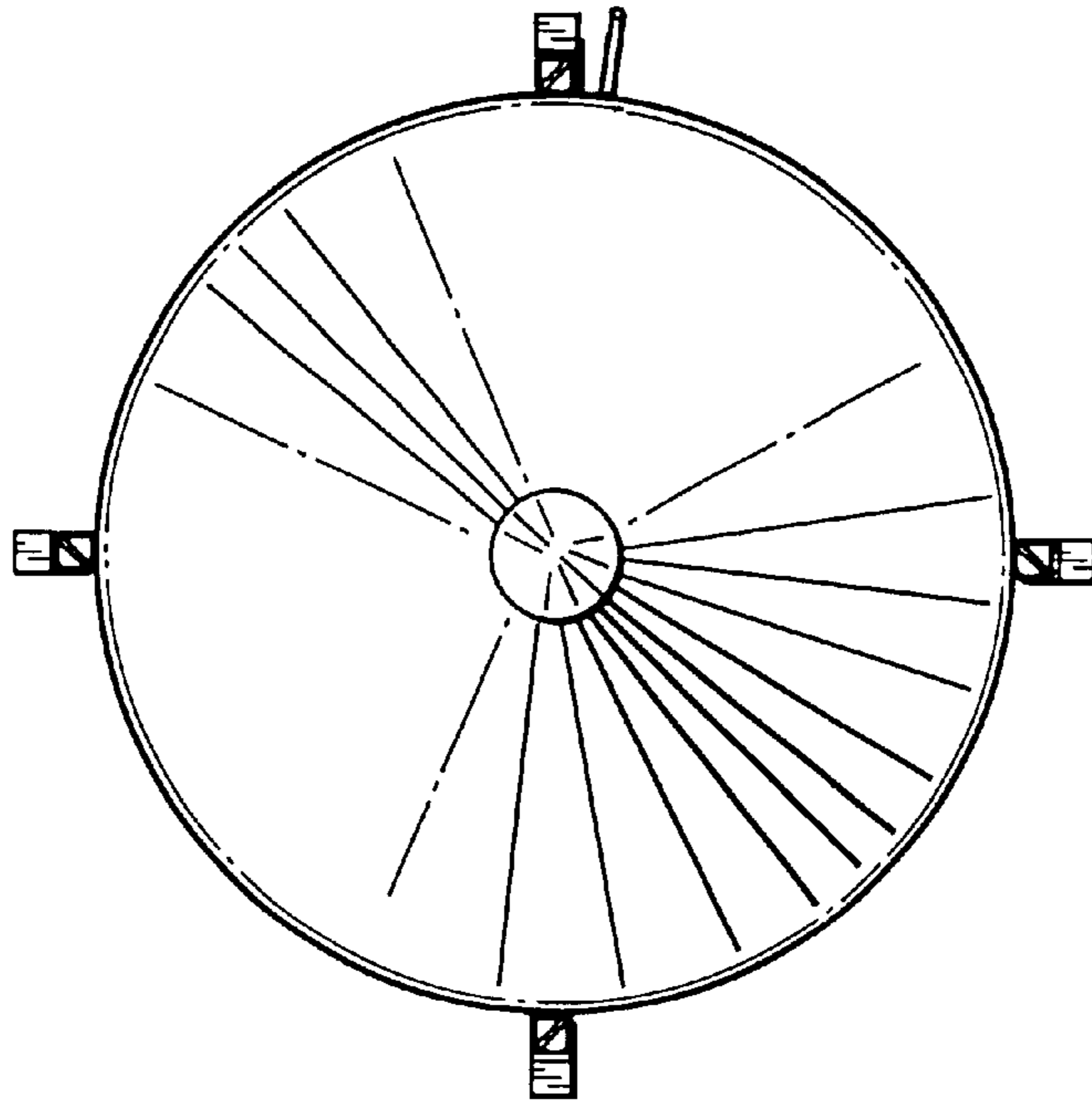


Fig. 20

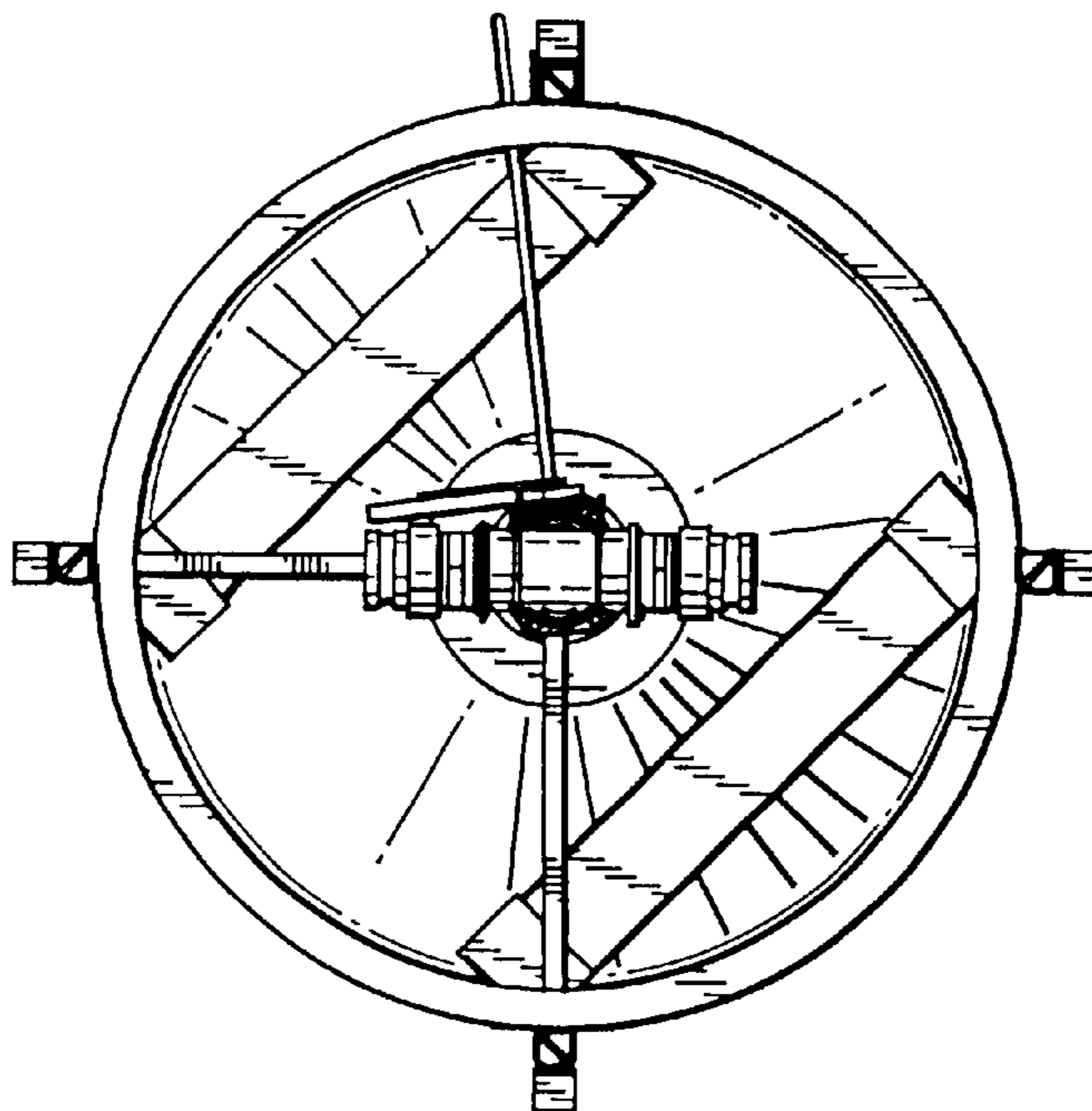


Fig. 21