



US00D472483S

(12) **United States Design Patent**
Disch

(10) **Patent No.:** **US D472,483 S**
(45) **Date of Patent:** **** Apr. 1, 2003**

(54) **BUTTON CONFIGURATION FOR A TESTING DEVICE**

(75) Inventor: **Michael A. Disch**, Strongsville, OH (US)

(73) Assignee: **Actron Manufacturing Company**, Cleveland, OH (US)

(**) Term: **14 Years**

(21) Appl. No.: **29/158,875**

(22) Filed: **Apr. 11, 2002**

(51) **LOC (7) Cl.** **10-04**

(52) **U.S. Cl.** **D10/80**

(58) **Field of Search** D10/78, 80; 324/72.5, 324/110, 114, 115, 149, 151 A, 151 R, 156, 158 R

(56) **References Cited**

U.S. PATENT DOCUMENTS

- D332,227 S * 1/1993 Kaneko D10/78
- D365,292 S * 12/1995 Laverick et al. D10/78
- D382,321 S * 8/1997 Anderson et al. D10/78 X

* cited by examiner

Primary Examiner—Antoine Duval Davis

(74) *Attorney, Agent, or Firm*—Calfee, Halter & Griswold LLP

(57) **CLAIM**

The ornamental design for a button configuration for a testing device, as shown and described.

DESCRIPTION

FIG. 1 is a front perspective view of a first embodiment of the button configuration.

FIG. 2 is a bottom elevational view of the first embodiment of the button configuration.

FIG. 3 is a top elevational view of the first embodiment of the button configuration.

FIG. 4 is a front elevational view of the first embodiment of the button configuration.

FIG. 5 is a rear elevational view of the first embodiment of the button configuration.

FIG. 6 is a left side elevational view of the first embodiment of the button configuration. The right side elevational view (not shown) is a mirror image of the left side elevational view.

FIG. 7 is a front perspective view of a second embodiment of the button configuration.

FIG. 8 is a bottom elevational view of the second embodiment of the button configuration.

FIG. 9 is a top elevational view of the second embodiment of the button configuration.

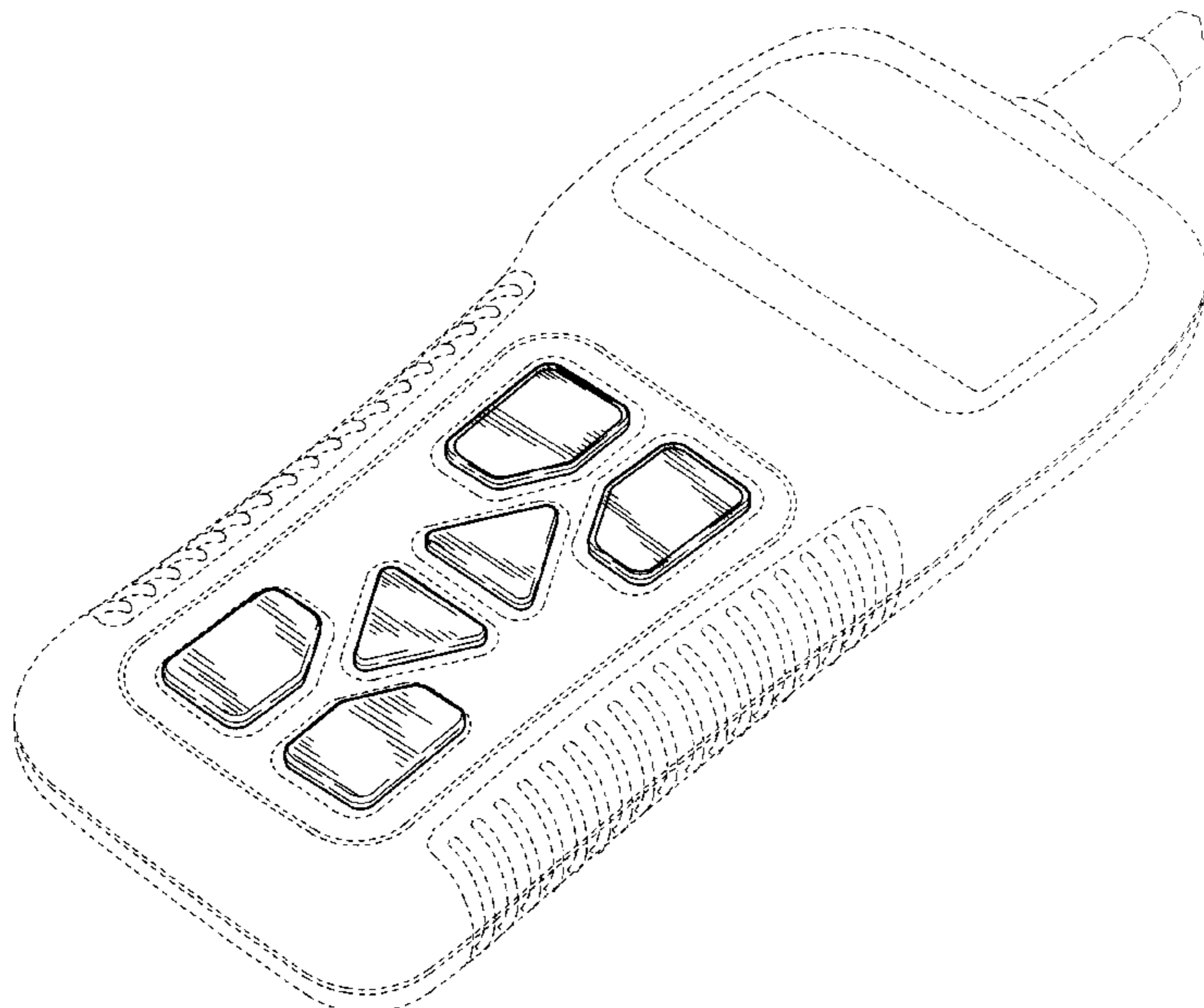
FIG. 10 is a front elevational view of the second embodiment of the button configuration.

FIG. 11 is a rear elevational view of the second embodiment of the button configuration; and,

FIG. 12 is a left side elevational view of the second embodiment of the button configuration. The right side elevational view (not shown) is a mirror image of the left side elevational view.

The broken line showings in the drawings are for illustrative purposes only and form no part of the claimed design.

1 Claim, 6 Drawing Sheets



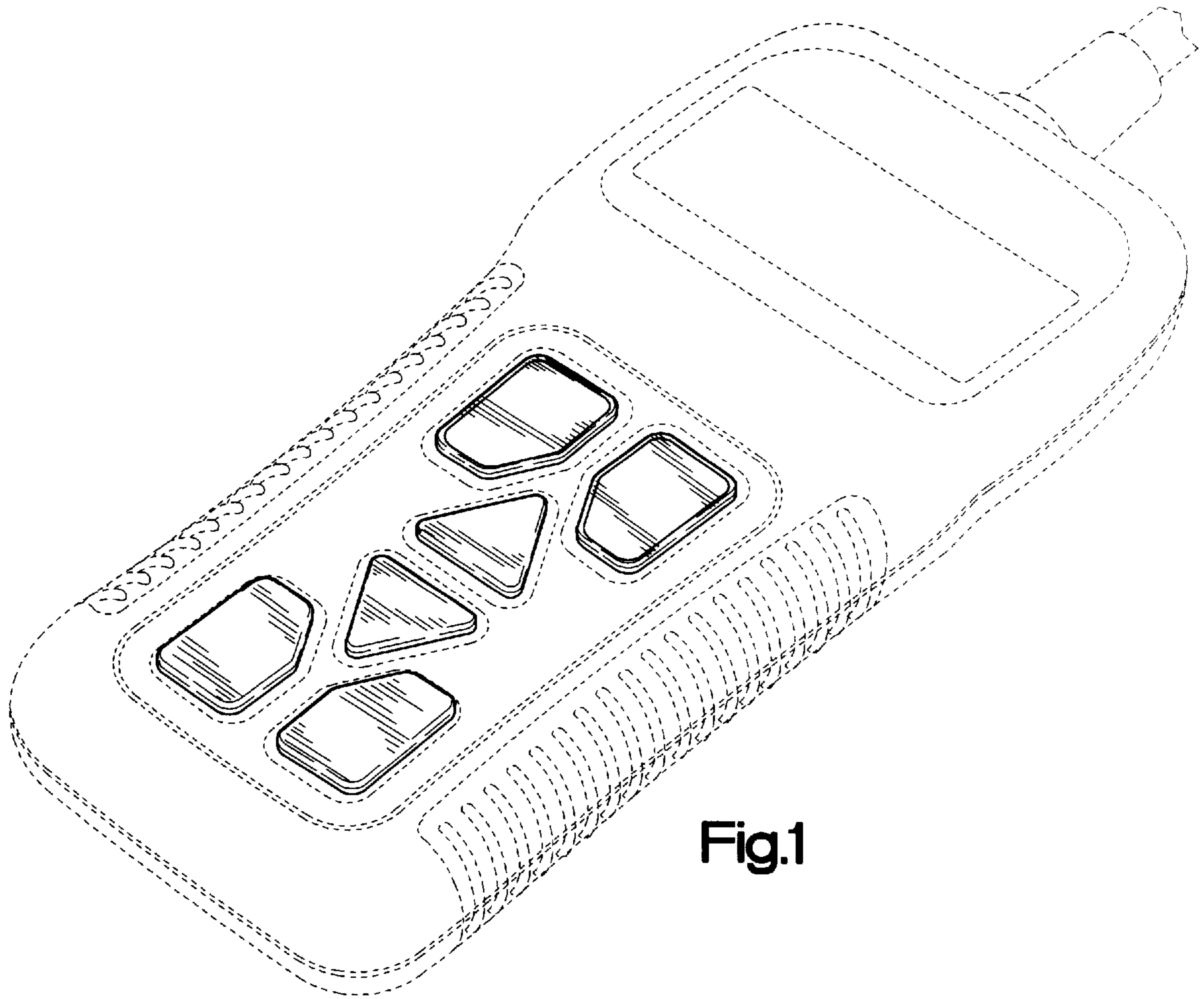


Fig.1

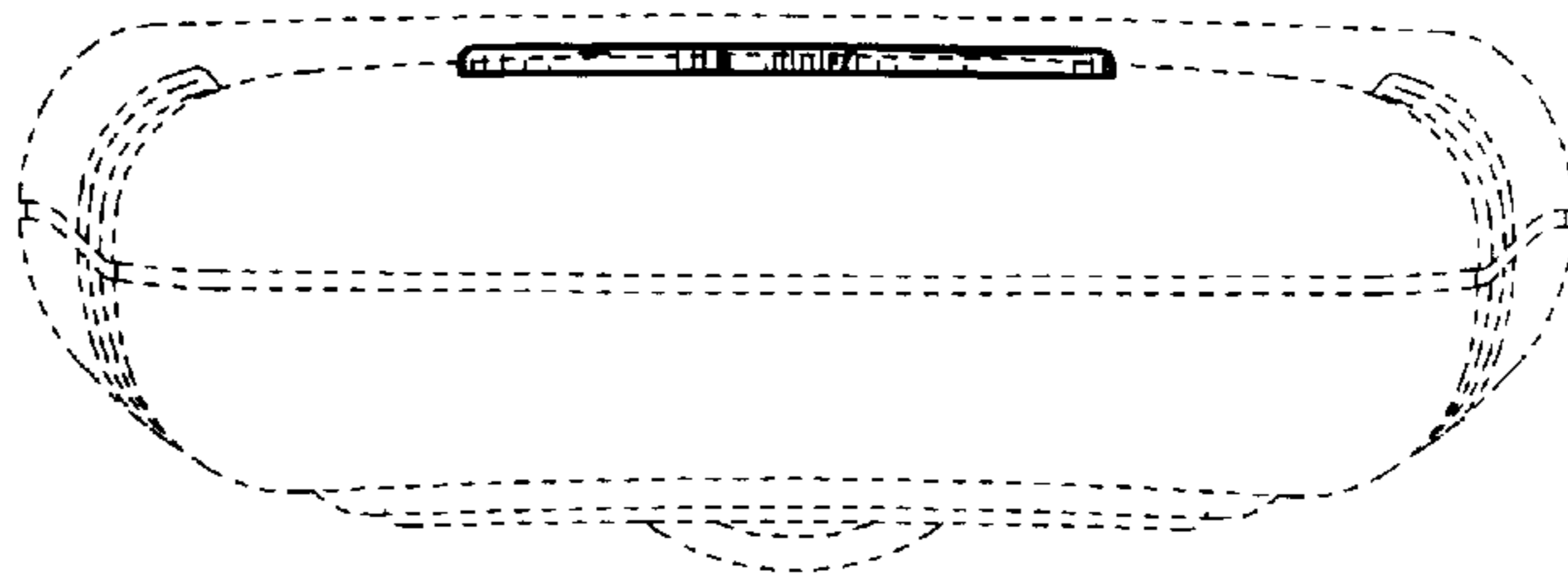


Fig.2

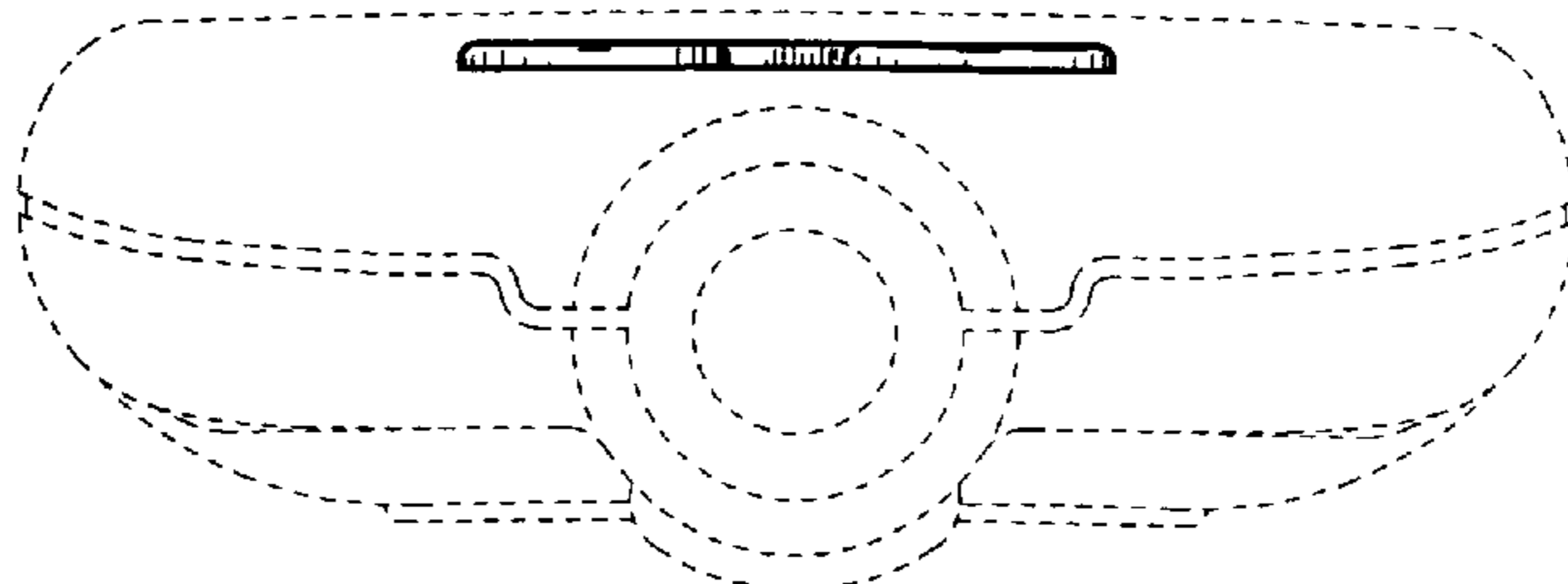


Fig.3

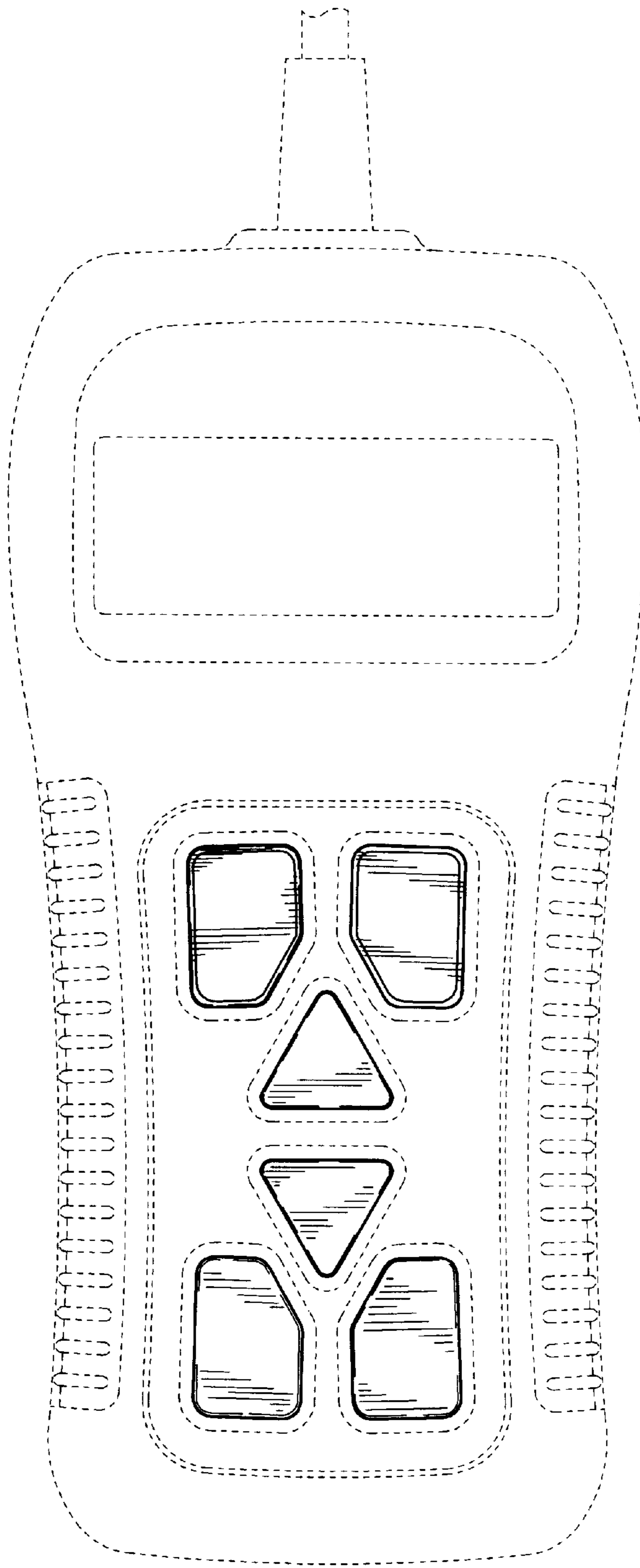


Fig.4

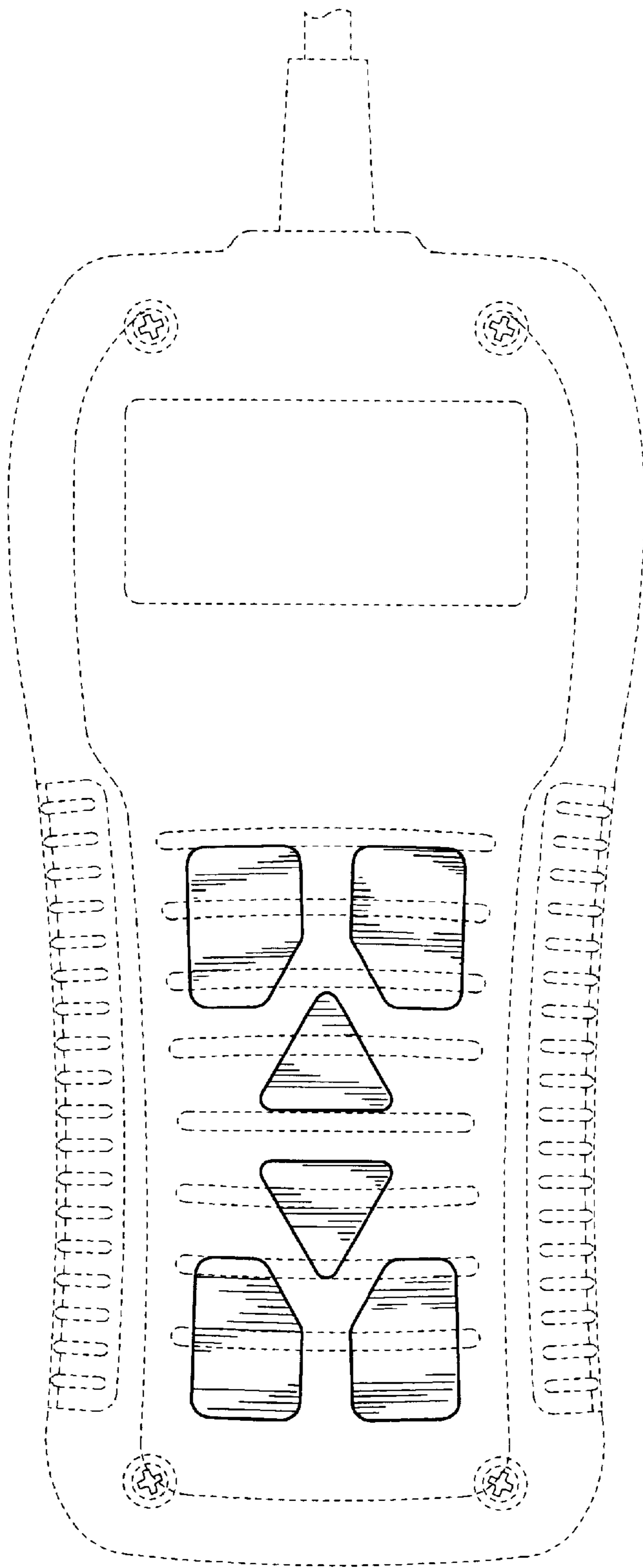


Fig.5

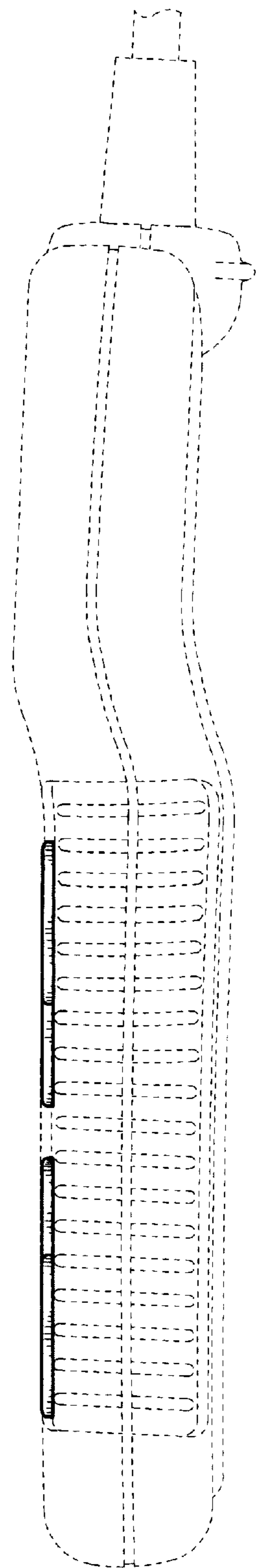


Fig.6

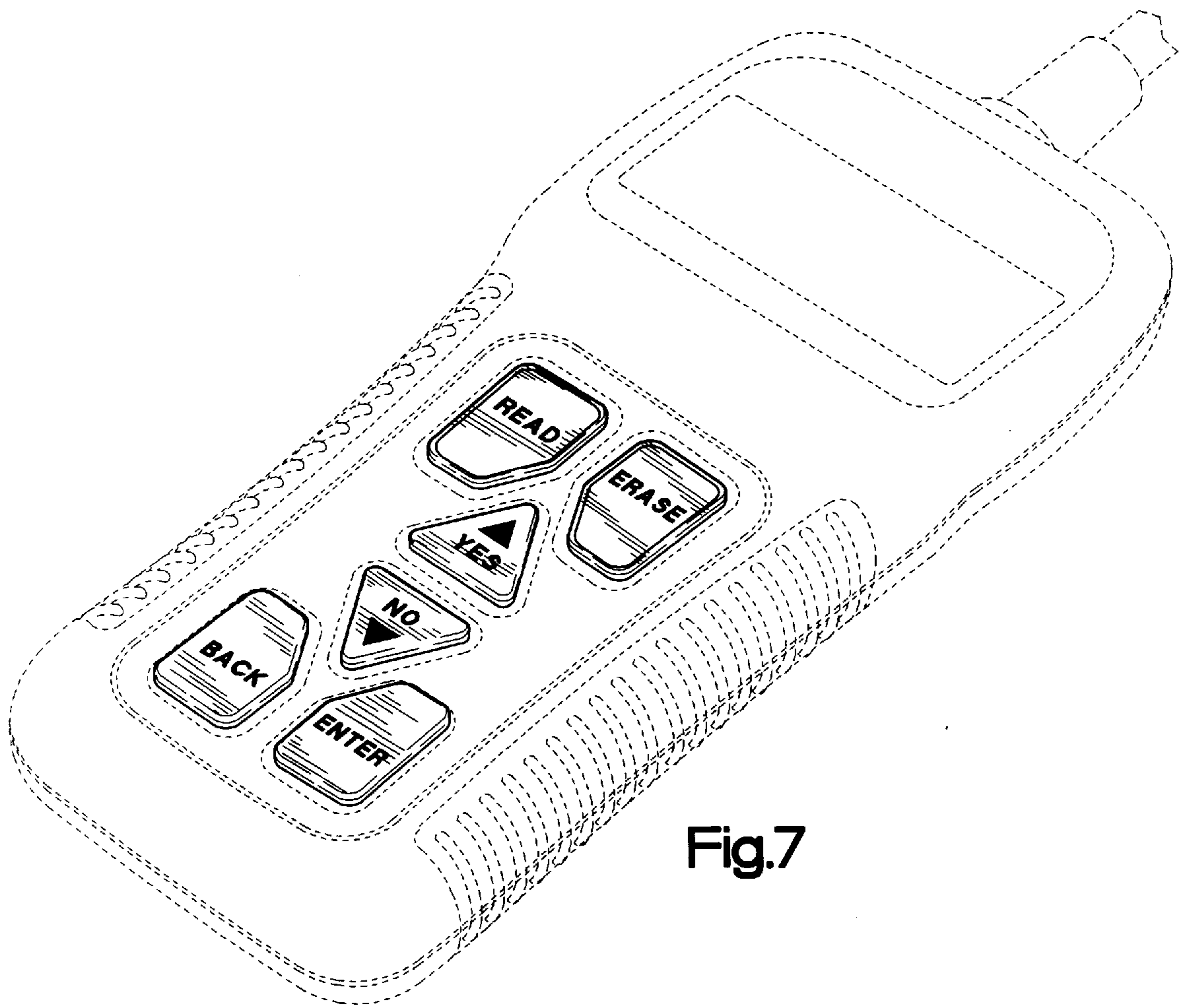


Fig.7

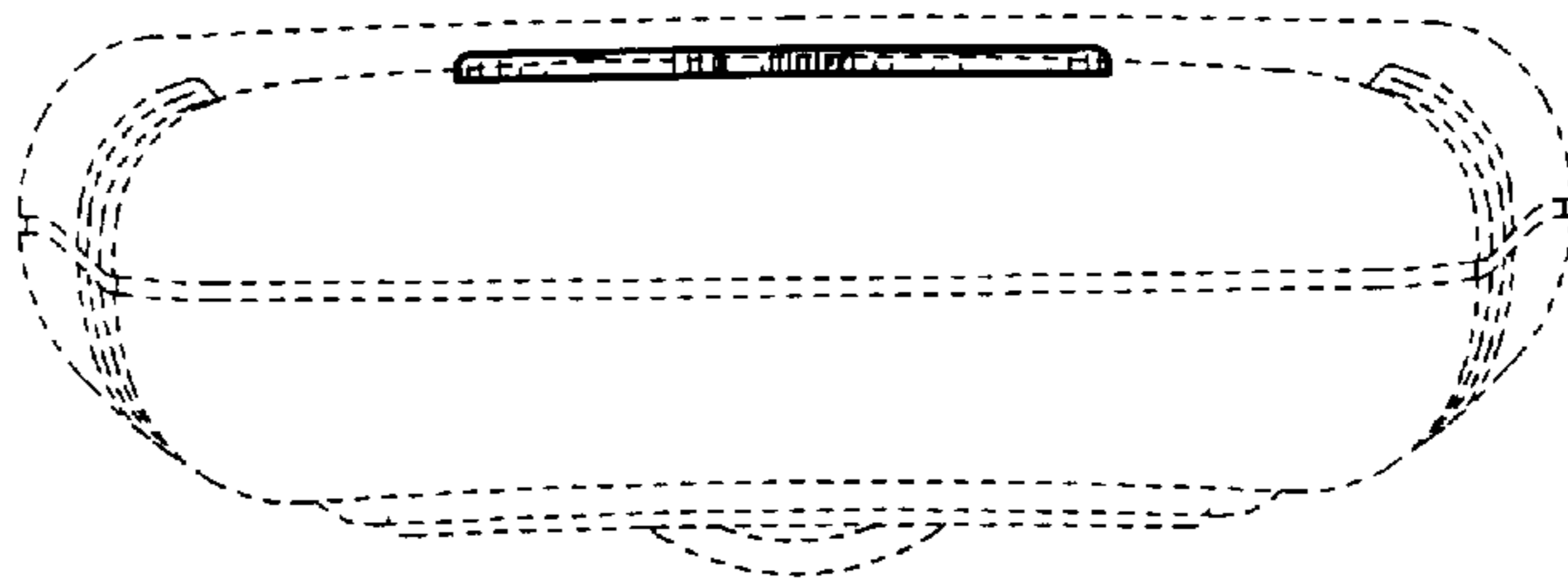


Fig.8

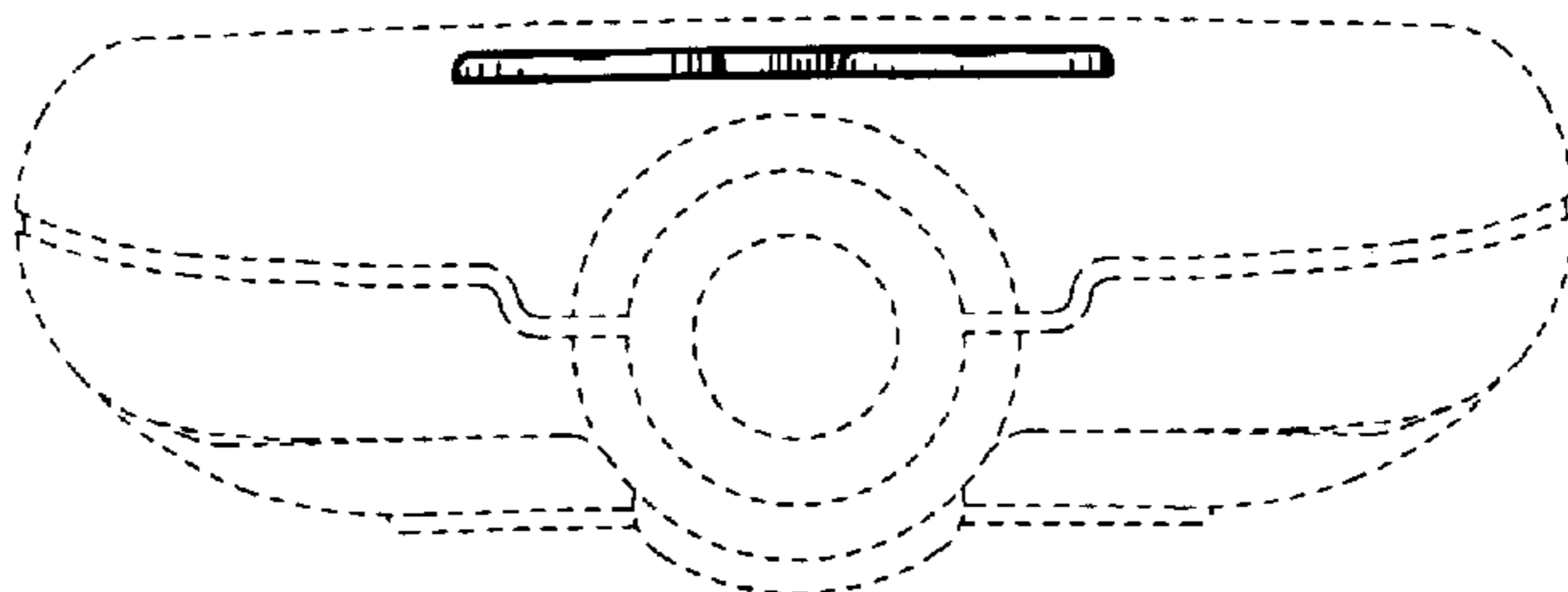


Fig.9

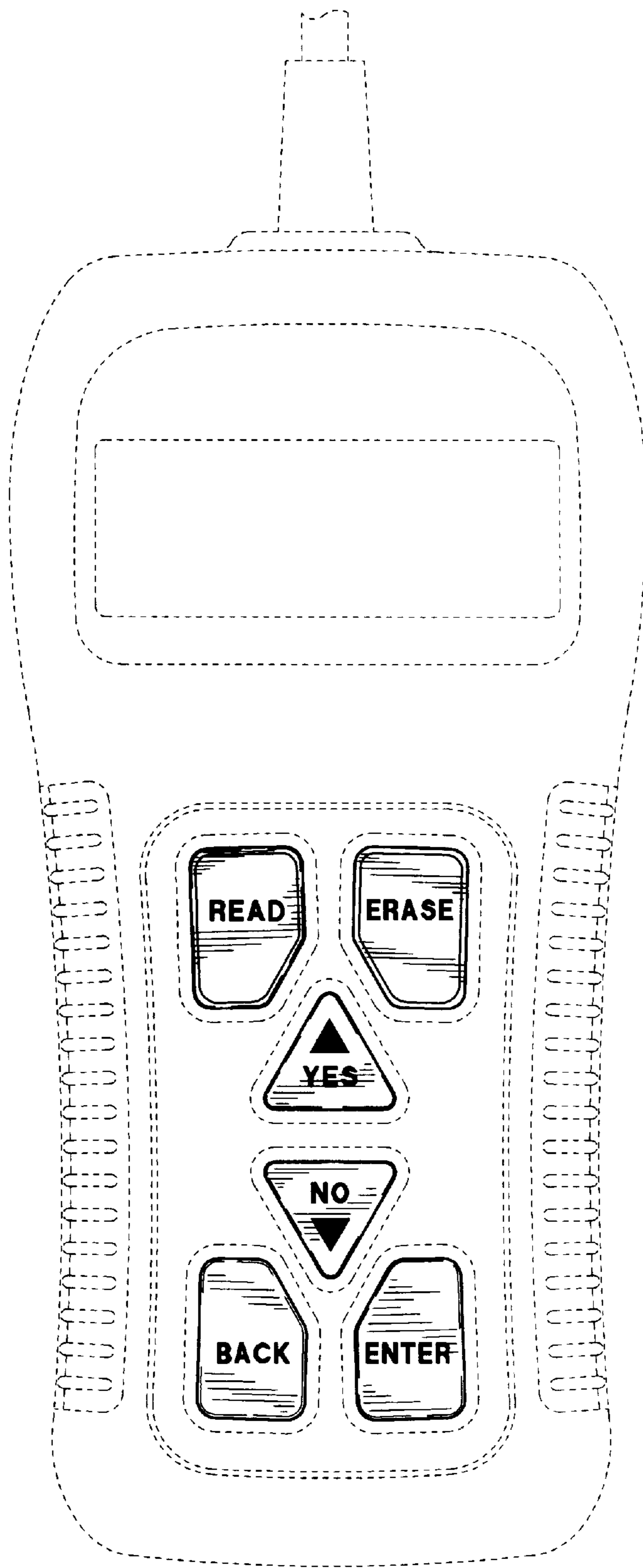


Fig.10

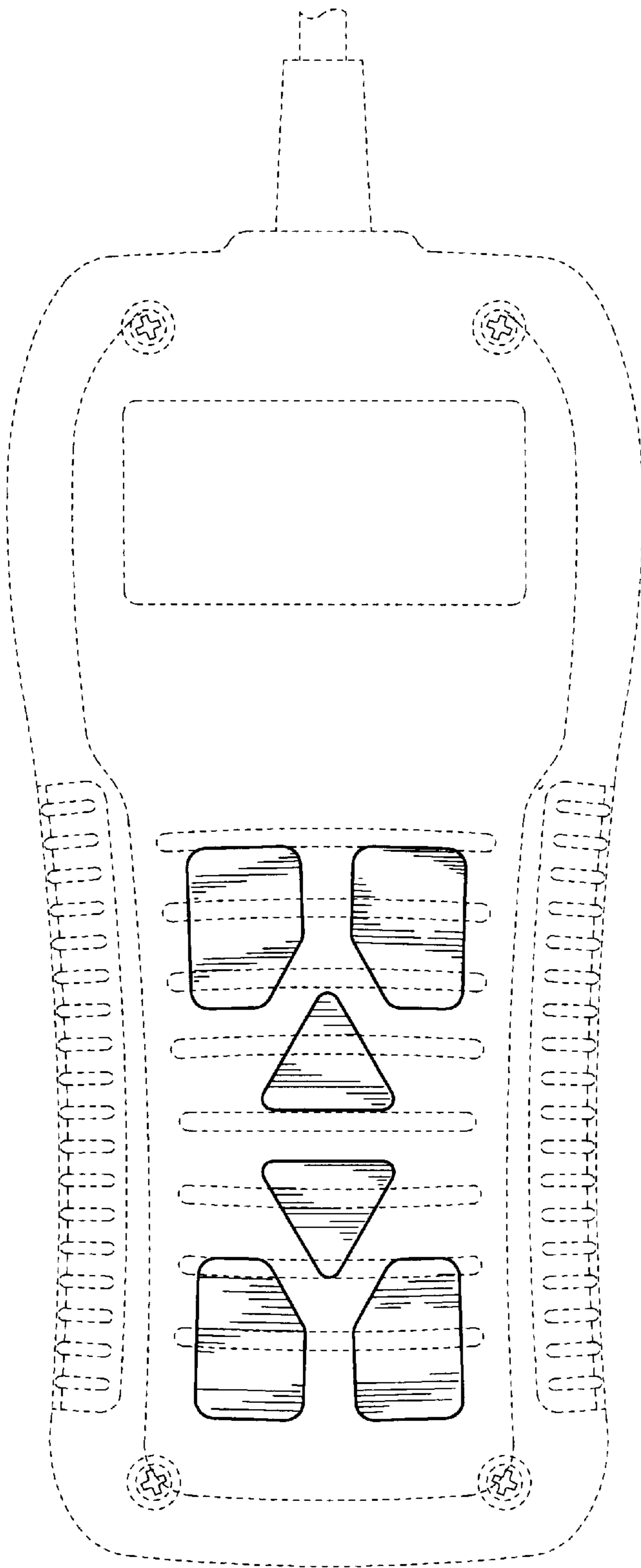


Fig.11

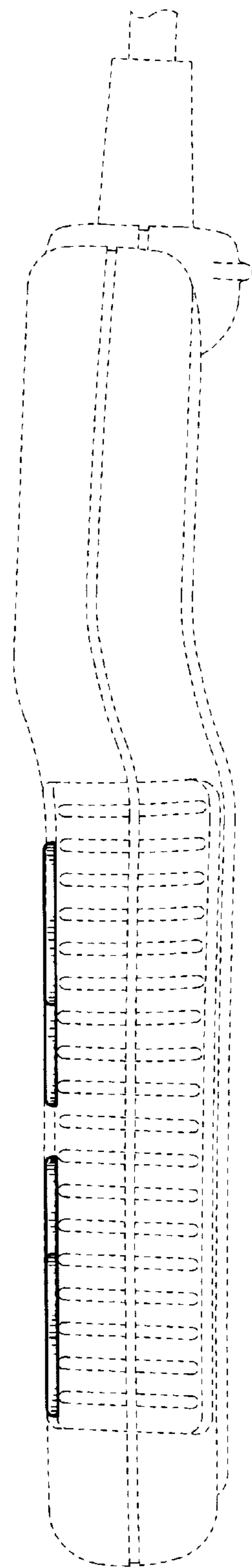


Fig.12