



US00D472477S

(12) **United States Design Patent**
Sun

(10) **Patent No.:** **US D472,477 S**

(45) **Date of Patent:** **** Apr. 1, 2003**

(54) **WATCH CASING AND PORTION OF A STRAP**

D441,303 S * 5/2001 Hanagata D10/30

OTHER PUBLICATIONS

(75) **Inventor:** **Helen Hueinung Sun**, Beacon Falls, CT (US)

<http://niketown.nike.com>, Triax 300 Aluminum, Style No. WR0007.

(73) **Assignee:** **Timex Group B.V.** (NL)

* cited by examiner

(**) **Term:** **14 Years**

Primary Examiner—Nelson C. Holtje

(21) **Appl. No.:** **29/164,001**

(74) *Attorney, Agent, or Firm*—Carmody & Torrance LLP

(22) **Filed:** **Jul. 16, 2002**

(57) **CLAIM**

(51) **LOC (7) Cl.** **10-02**

The ornamental design for a watch casing and portion of a strap, as shown and described.

(52) **U.S. Cl.** **D10/30**

DESCRIPTION

(58) **Field of Search** D10/1-40, 122-132;
368/280-282, 276-277, 28-30, 285, 239-242,
243-249, 82-84, 41-44

FIG. 1 is a top plan view of a watch casing and portion of a strap showing my new design;
FIG. 2 is a left side elevational view thereof;
FIG. 3 is a right side elevational view thereof;
FIG. 4 is a first end elevational view thereof;
FIG. 5 is a second end elevational view thereof; and,
FIG. 6 is a bottom plan view.

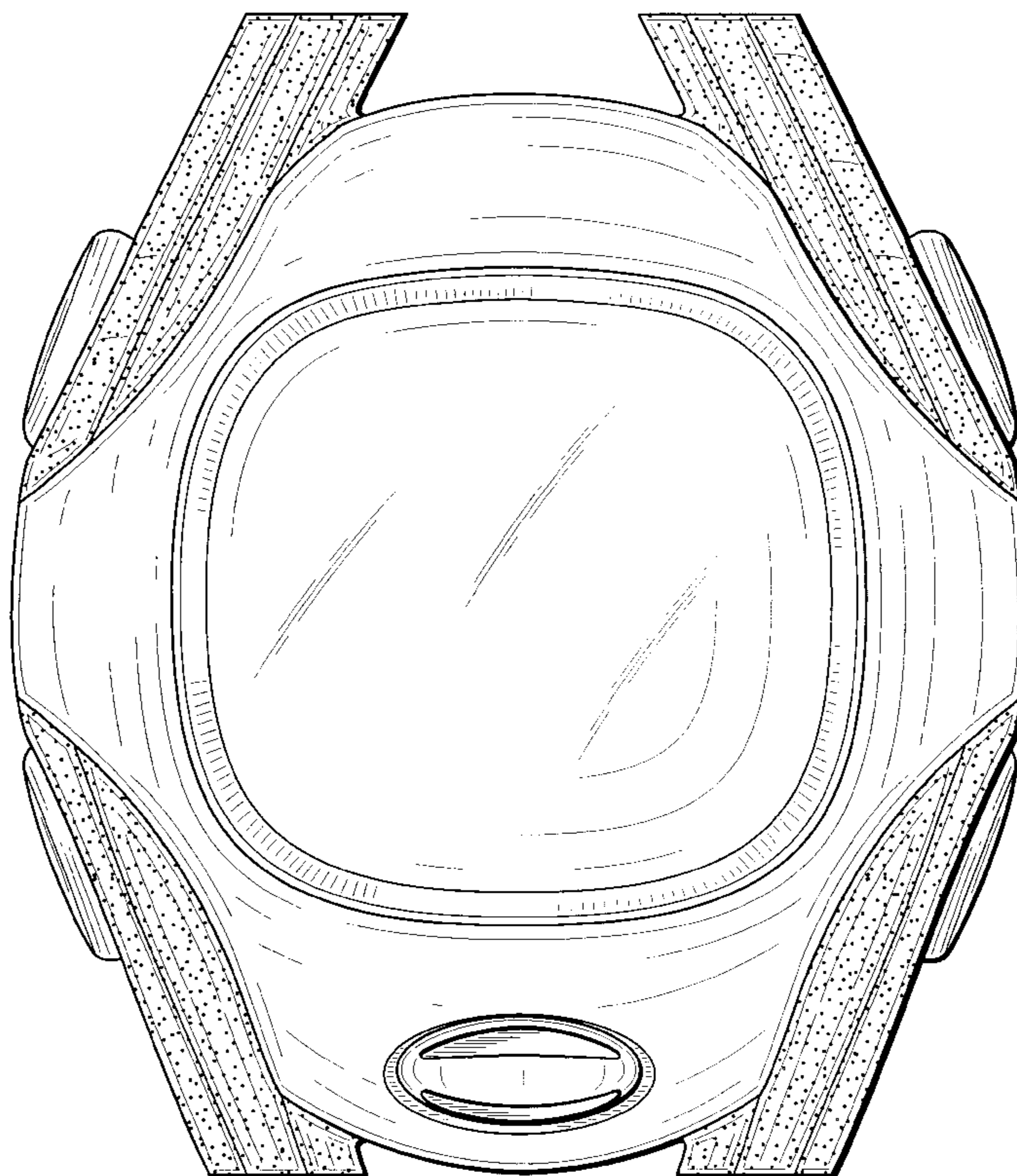
(56) **References Cited**

U.S. PATENT DOCUMENTS

D328,870 S	*	8/1992	Chodat	D10/30
D365,282 S	*	12/1995	Chodat	D10/30
D394,400 S	*	5/1998	Iwamoto	D10/30
D407,027 S	*	3/1999	Kubo et al.	D10/30
D407,329 S	*	3/1999	Kawashima et al.	D10/30
D423,947 S	*	5/2000	Sugisawa et al.	D10/30
D426,779 S	*	6/2000	Hatsuki	D10/30
D428,346 S	*	7/2000	Goto et al.	D10/30

The speckled dots are intended to illustrate a contrast in color and/or material used to construct and illustrate the claimed invention. The fact that the drawings illustrate dots, in and of itself, is not material to the invention.

1 Claim, 5 Drawing Sheets



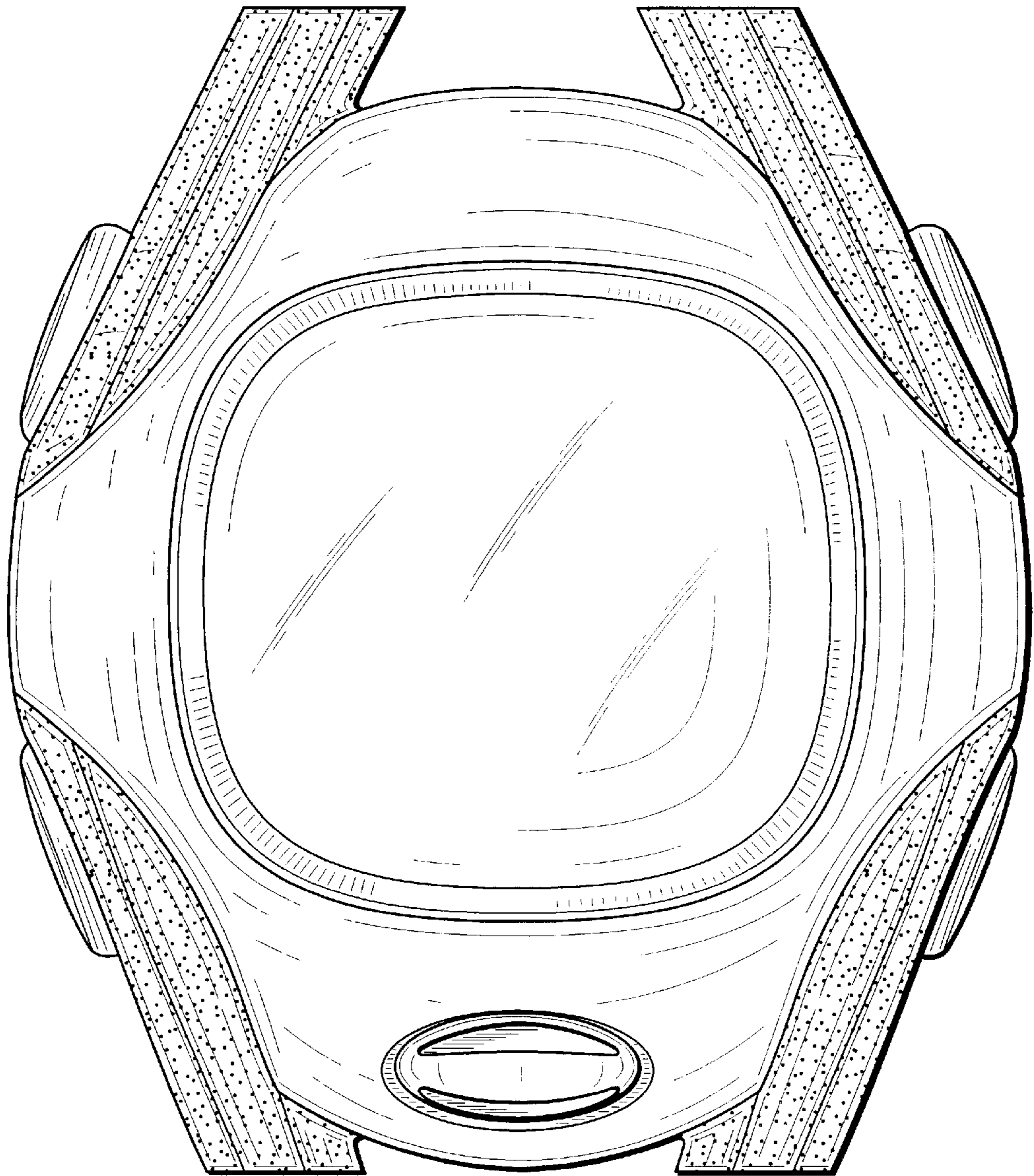


FIG. 1

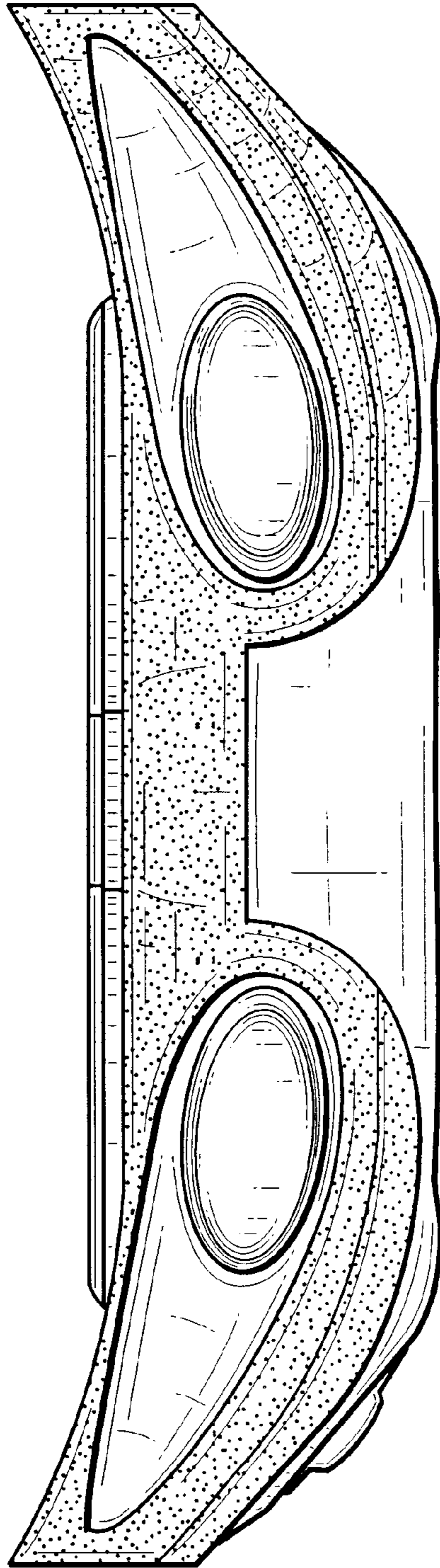


FIG. 2

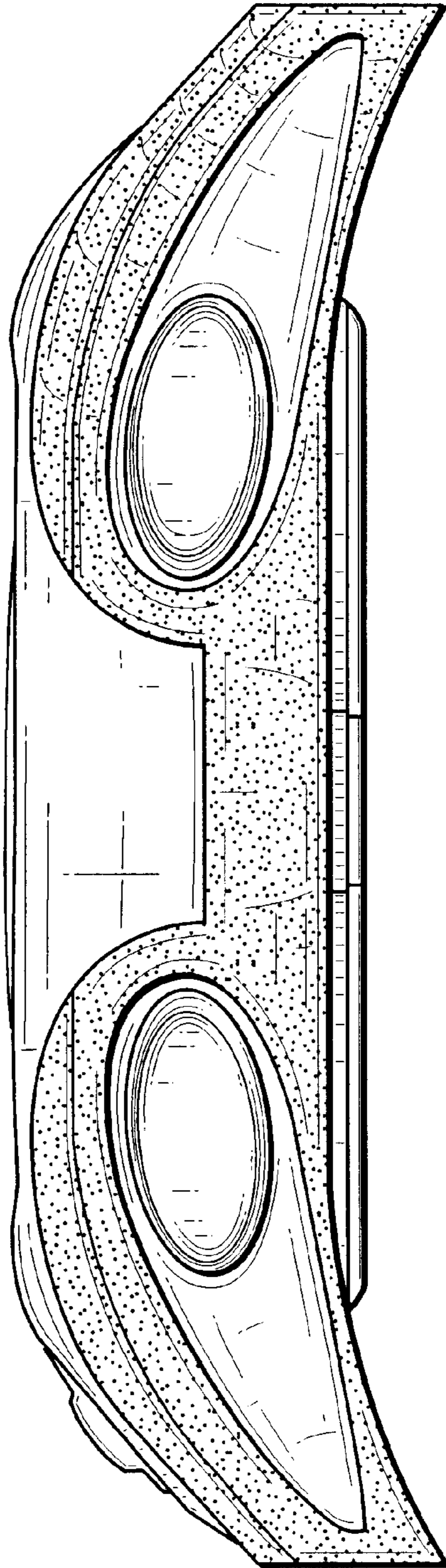


FIG. 3

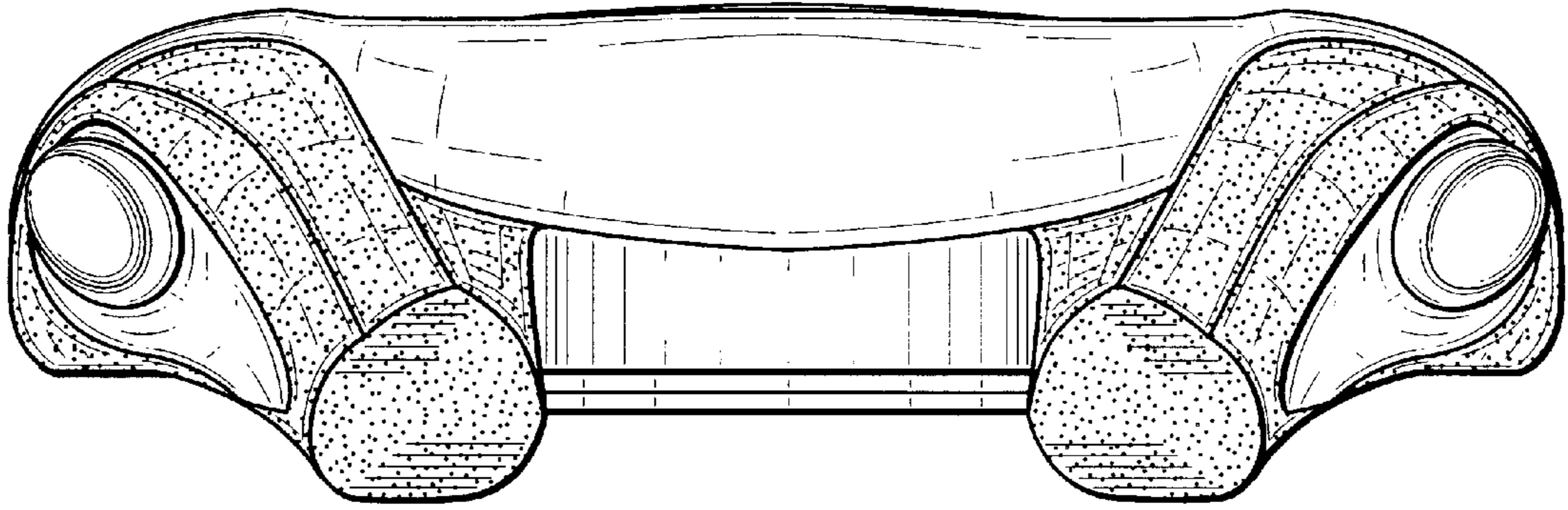


FIG. 4

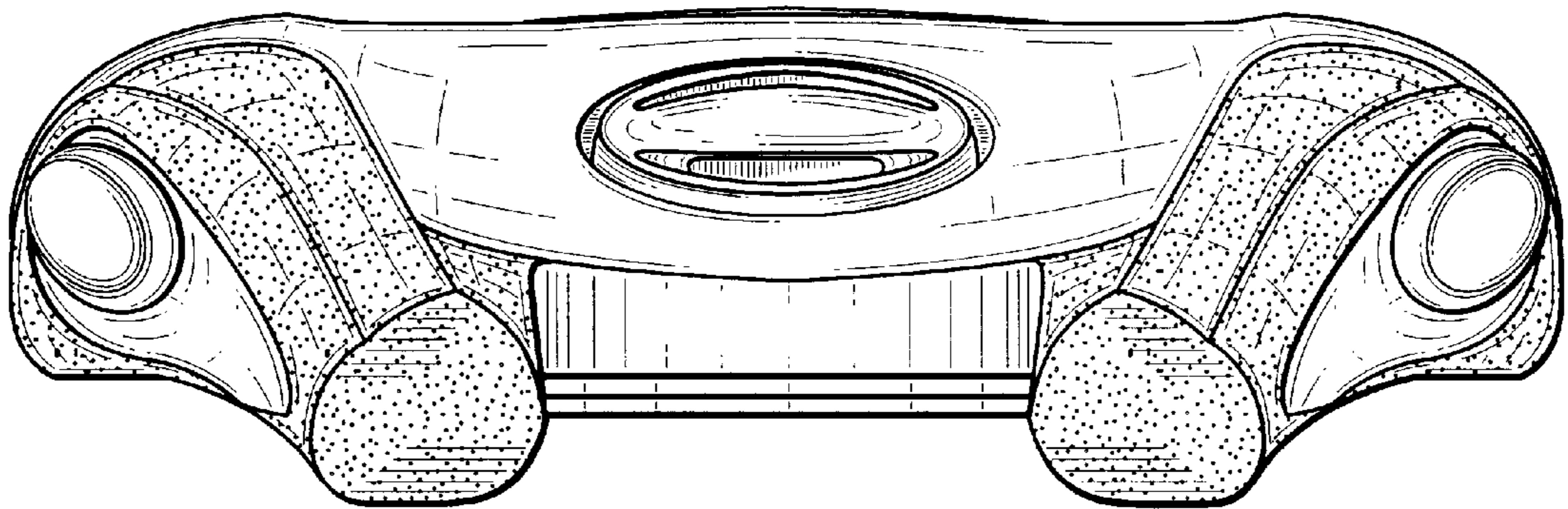


FIG. 5

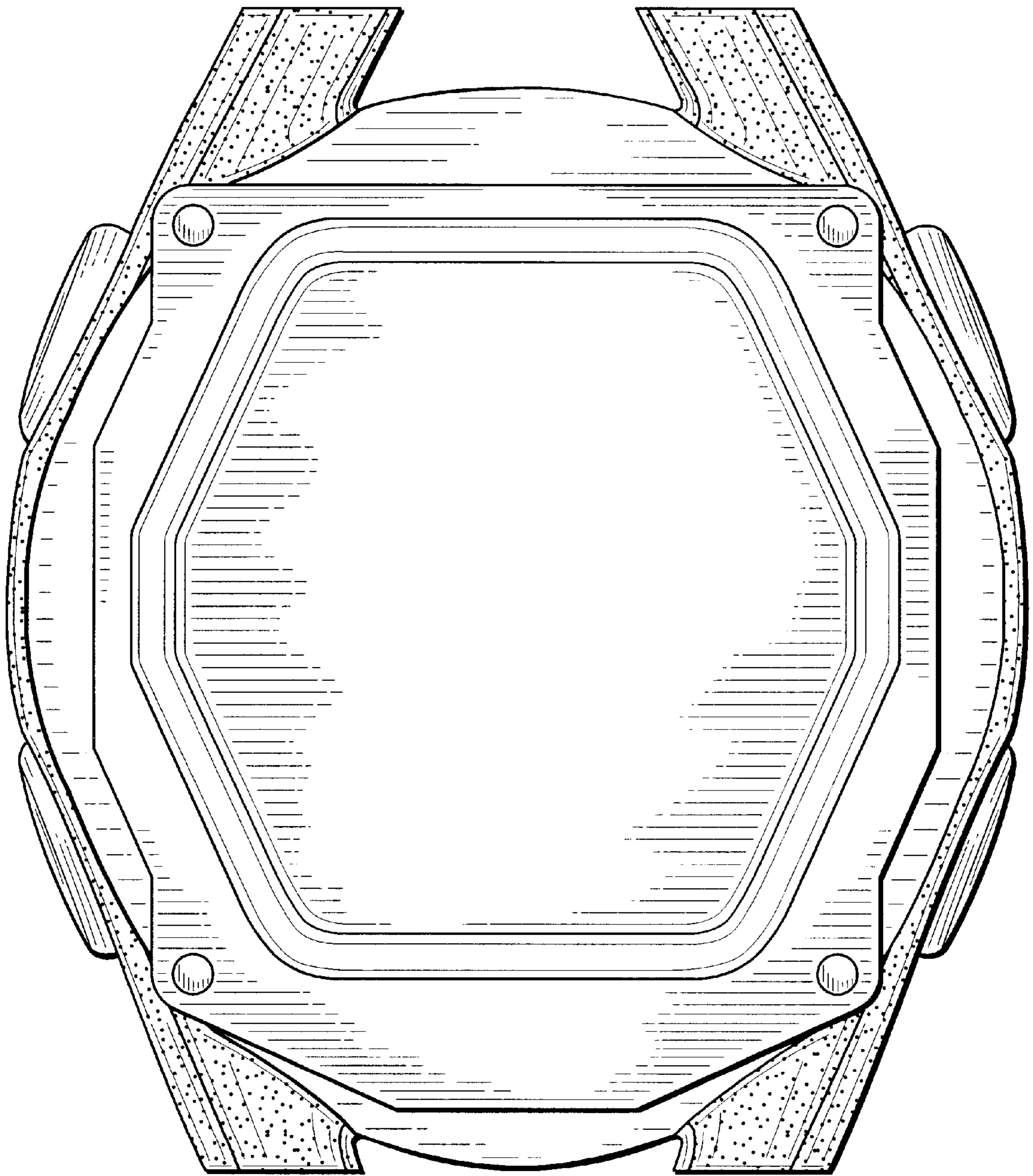


FIG. 6