



US00D472476S

(12) **United States Design Patent**
Ramos, Jr. et al.

(10) **Patent No.:** **US D472,476 S**
(45) **Date of Patent:** **** Apr. 1, 2003**

(54) **WATCH CASING**

(75) Inventors: **Galileo P. Ramos, Jr.**, Lapulapu City (PH); **Sergei Streltsov**, London (GB)

(73) Assignee: **Timex Group B.V.** (NL)

(**) Term: **14 Years**

(21) Appl. No.: **29/163,802**

(22) Filed: **Jul. 12, 2002**

(51) **LOC (7) Cl.** **10-02**

(52) **U.S. Cl.** **D10/30**

(58) **Field of Search** D10/1-40, 122-132;
368/280-282, 276-277, 28-30, 285, 239-242,
243-249, 82-84, 41-44

(56) **References Cited**

U.S. PATENT DOCUMENTS

D349,246 S	*	8/1994	Nakai	D10/38
D382,818 S	*	8/1997	Houlihan	D10/30
D394,404 S	*	5/1998	Ishizaka et al.	D10/38
D394,610 S	*	5/1998	Ishizaka et al.	D10/30

D402,900 S	*	12/1998	Hanagata et al.	D10/30
D411,115 S		6/1999	Houlihan et al.		
D428,346 S	*	7/2000	Goto et al.	D10/30
D441,302 S	*	5/2001	Tomimatsu	D10/30
D457,440 S		5/2002	Streltsov		
D463,293 S	*	9/2002	Streltsov	D10/30

* cited by examiner

Primary Examiner—Nelson C. Holtje

(74) *Attorney, Agent, or Firm*—Carmody & Torrance LLP

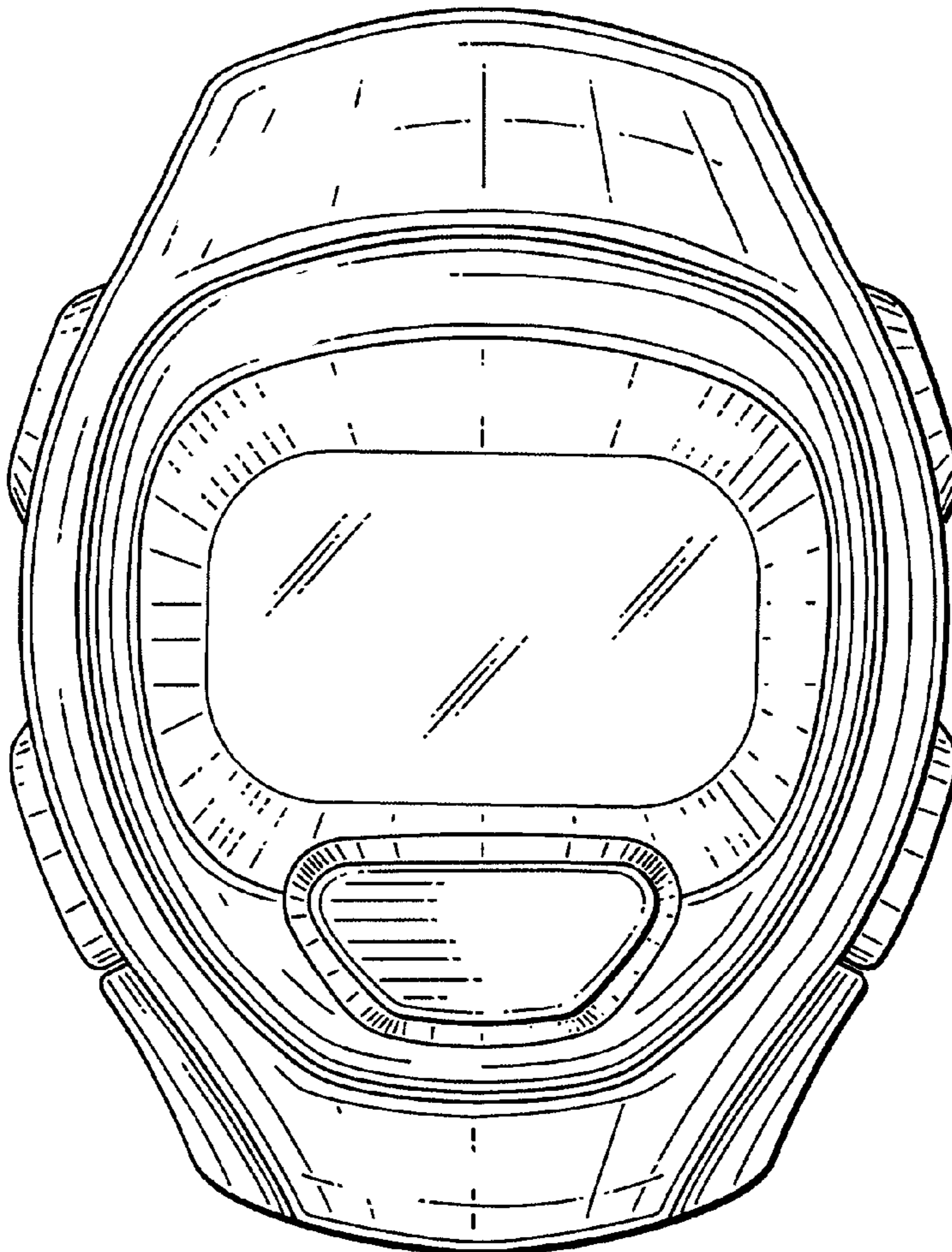
(57) **CLAIM**

The ornamental design for a watch casing, as shown and described.

DESCRIPTION

FIG. 1 is a top view of a watch casing showing our new design;
FIG. 2 is a left side elevational view thereof;
FIG. 3 is a right side elevational view thereof;
FIG. 4 is a first end elevational view thereof;
FIG. 5 is a second end elevational view thereof; and,
FIG. 6 is a bottom plan view.

1 Claim, 5 Drawing Sheets



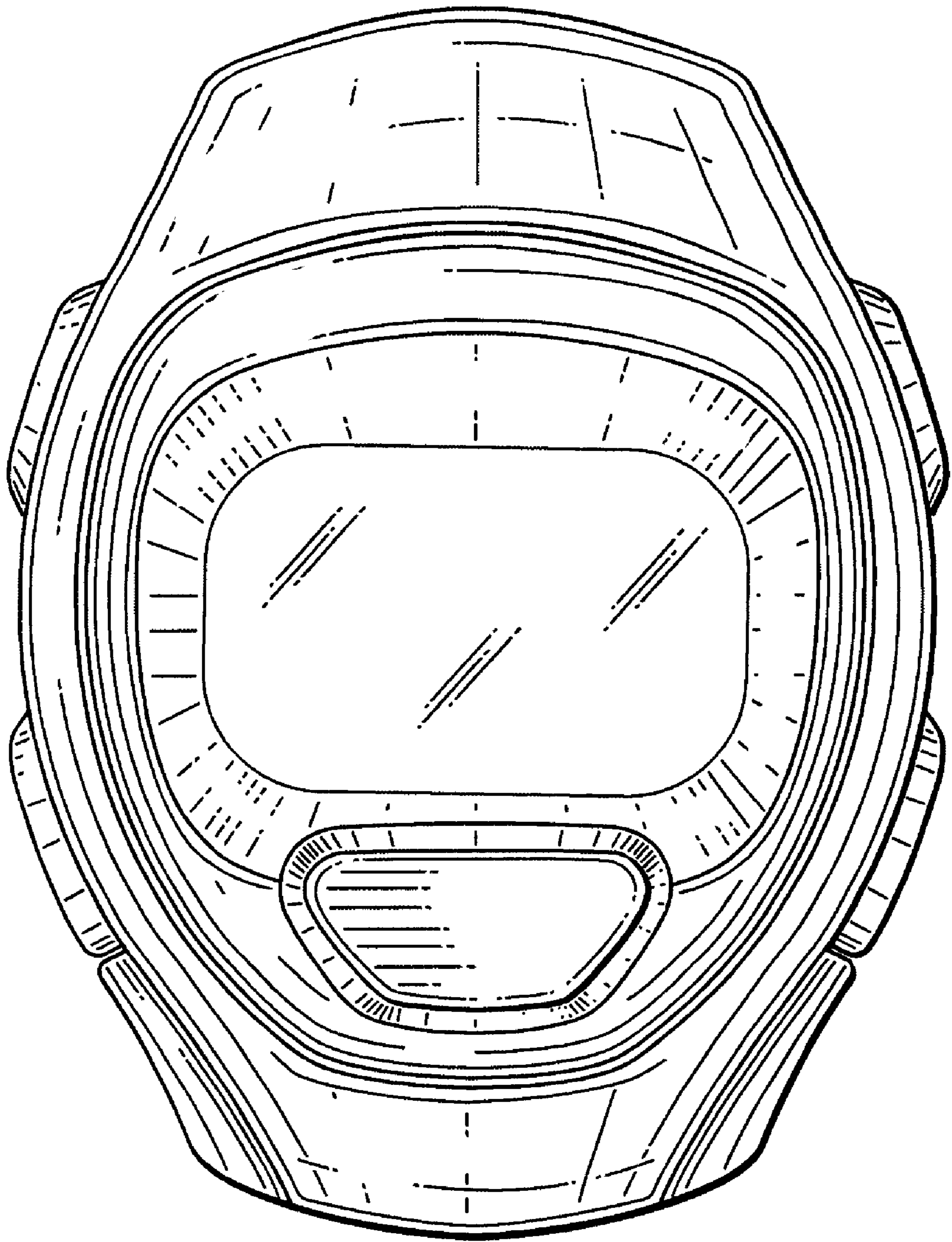


FIG. 1

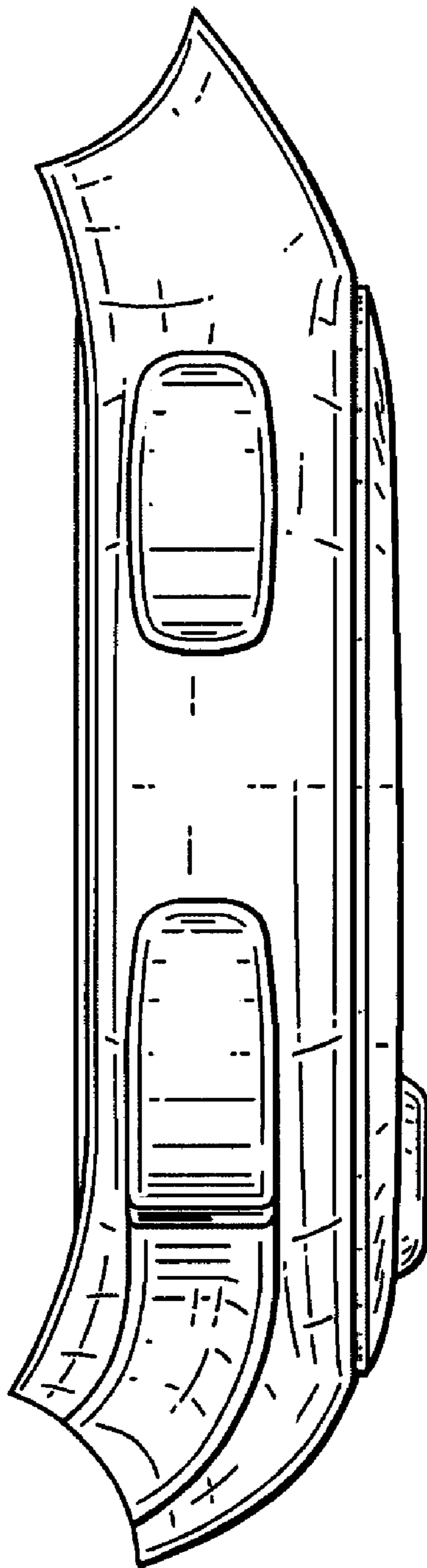


FIG. 2

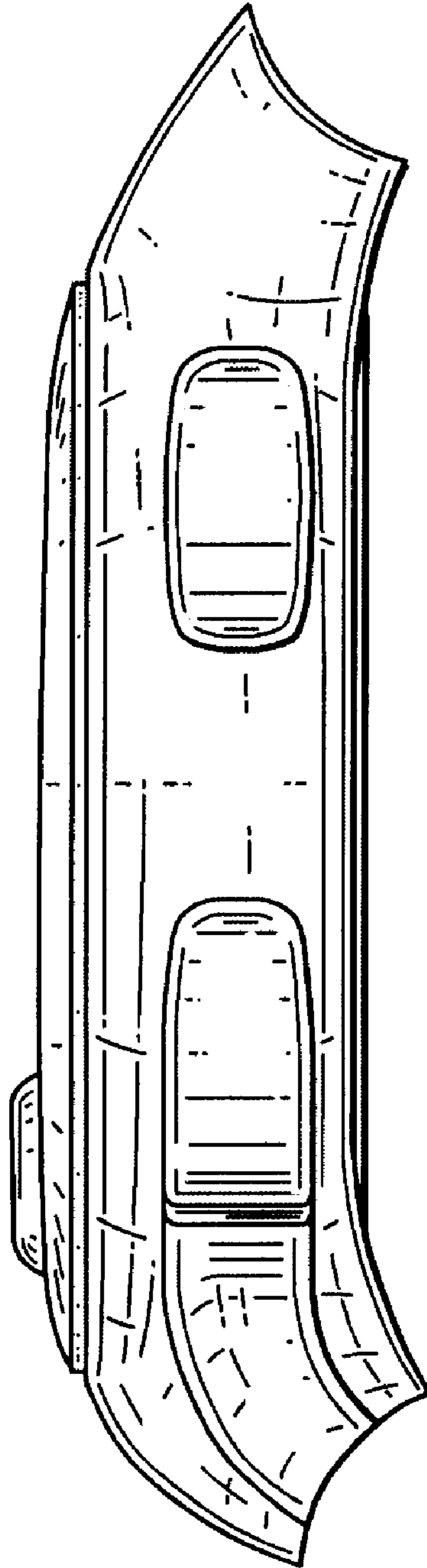


FIG. 3

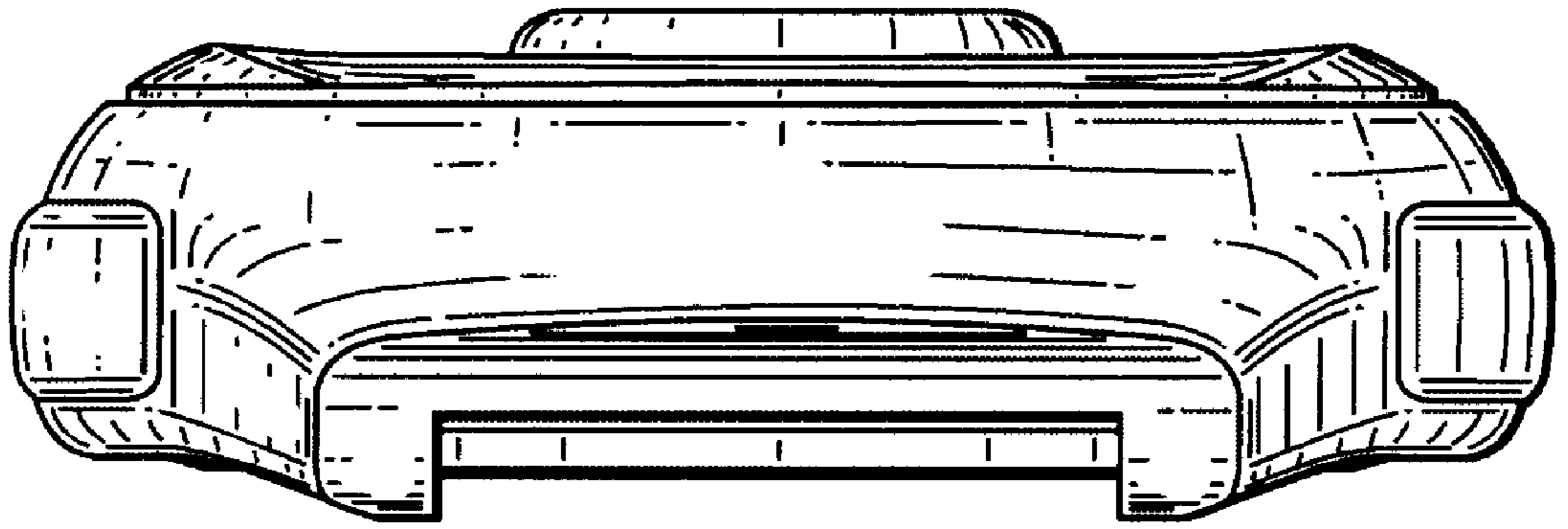


FIG. 4

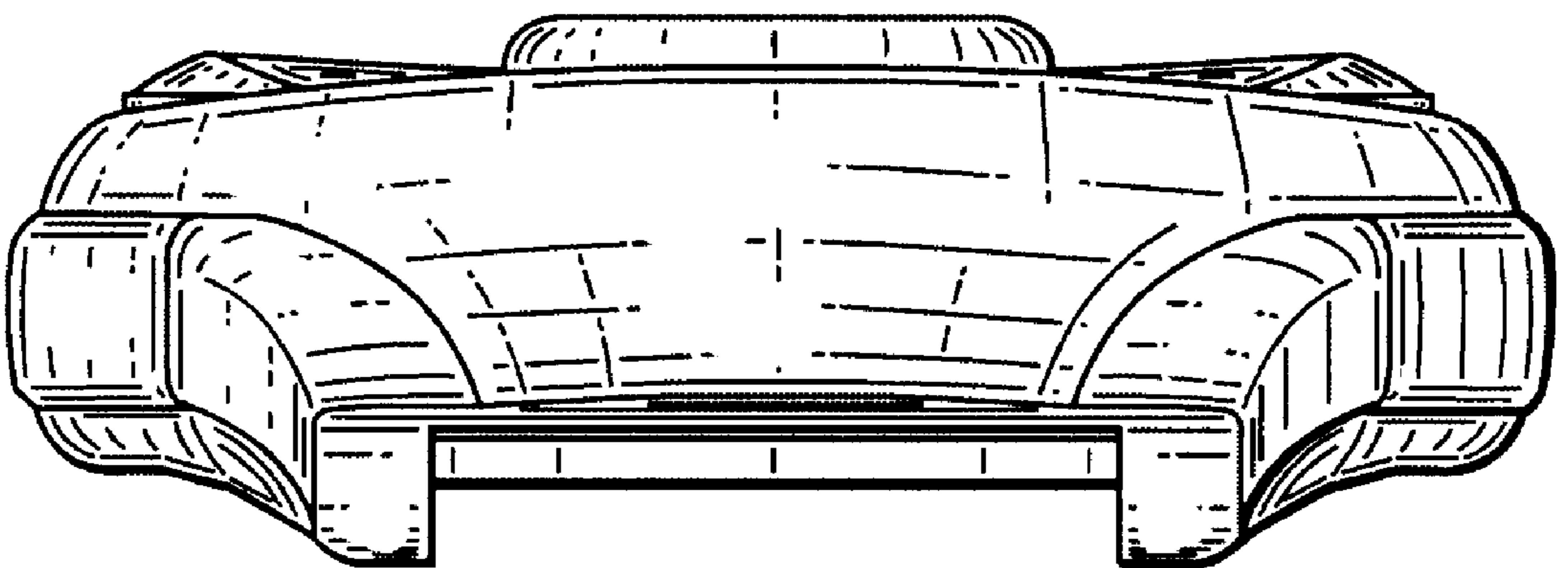


FIG. 5

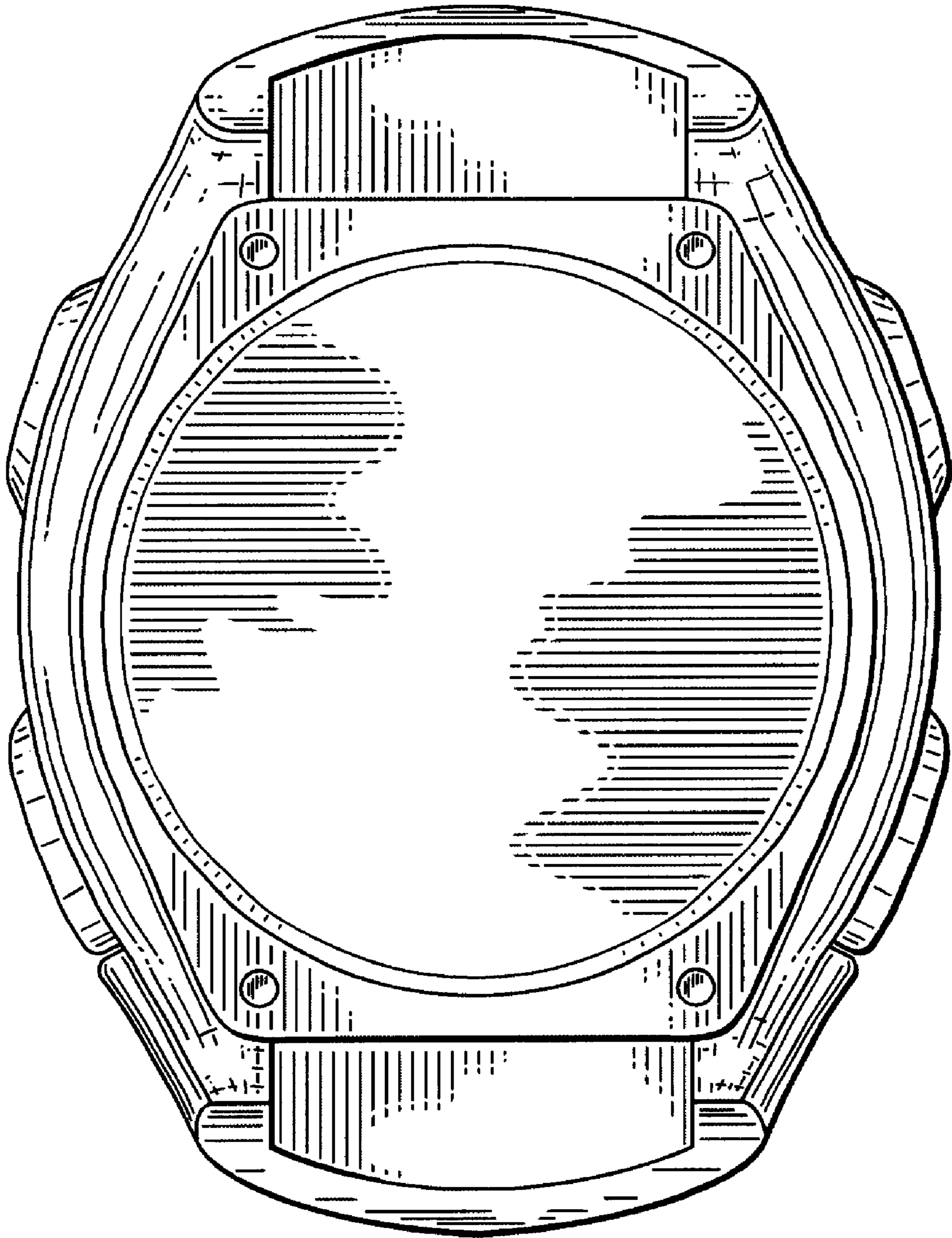


FIG. 6