



US00D472467S

(12) **United States Design Patent** (10) **Patent No.:** **US D472,467 S**
Weinstein et al. (45) **Date of Patent:** **** *Apr. 1, 2003**

(54) **TUBULAR PACKAGING FOR DOOR KNOB ASSEMBLY**

(75) Inventors: **Michael Weinstein**, Costa Mesa, CA (US); **Eric E. Thompson**, Costa Mesa, CA (US)

(73) Assignee: **Newfrey LLC**, Newark, DE (US)

(*) Notice: This patent is subject to a terminal disclaimer.

(**) Term: **14 Years**

(21) Appl. No.: **29/156,339**

(22) Filed: **Feb. 27, 2002**

Related U.S. Application Data

(62) Division of application No. 29/126,377, filed on Jul. 14, 2000.

(51) **LOC (7) Cl.** **09-03**

(52) **U.S. Cl.** **D9/430**

(58) **Field of Search** D9/430, 337-338, D9/500-501, 503, 432, 434-435, 414, 415, 341, 344; 206/216, 320-321, 325, 349, 446, 486-487, 493, 499, 503, 505, 508, 514, 527, 821, 822, 779; 220/23.91, 200, 212, 345.1, 351, 377, 600, 602, 610, 625, 655, 656, 660, 662, 665, 667, 729, 890, 916; 229/100, 103, 108-115, 122.2, 124-125, 162, 183-184, 190, 800

(56) **References Cited**

U.S. PATENT DOCUMENTS

- D75,980 S * 8/1928 Pfeiffer
- D106,790 S * 11/1937 Guerlain
- 2,316,384 A * 4/1943 Abramson 229/3.5
- 2,979,192 A * 4/1961 Blonder 206/46
- 3,768,637 A * 10/1973 Whang 206/765
- 4,307,803 A 12/1981 Johnson
- 4,317,515 A * 3/1982 Feeley et al. 206/315 R
- D266,487 S * 10/1982 Mansau D9/430
- 4,359,182 A 11/1982 Perkins, Jr.

- D299,114 S 12/1988 Klinge
- 4,993,623 A 2/1991 Kelly et al.
- D315,095 S 3/1991 Wright
- D315,302 S 3/1991 Kistler
- D320,469 S 10/1991 Hoenig
- 5,064,056 A 11/1991 Gresh
- D324,823 S * 3/1992 Scarpa et al. D9/430
- D328,248 S 7/1992 Ruff
- D328,706 S * 8/1992 Ruff D9/430
- D361,262 S * 8/1995 Lusker D9/430
- D367,226 S 2/1996 Ransbottom
- 5,718,335 A 2/1998 Boudreaux
- D394,384 S 5/1998 Humphrey
- 5,816,411 A 10/1998 Smith
- D405,370 S 2/1999 Humphrey
- D406,056 S 2/1999 Flores et al.
- D406,528 S 3/1999 Flores et al.
- 5,890,593 A 4/1999 Humphrey
- D414,108 S 9/1999 Humphrey
- 6,047,833 A * 4/2000 Salomon 206/765
- D424,427 S 5/2000 Saputo et al.

OTHER PUBLICATIONS

Prosking Plastic Products Inc., Taiwan Trade Pages Corp., vol. C92, Apr. 1998.

Taiwan Trade Pages Corp., vol. C96, Apr. 1999 (p. 1475).

* cited by examiner

Primary Examiner—Ted Shooman

Assistant Examiner—Daniel Bui

(74) *Attorney, Agent, or Firm*—Harness, Dickey & Pierce, P.L.C.

(57) **CLAIM**

The ornamental design for tubular packaging for door knob assembly, as shown and described.

DESCRIPTION

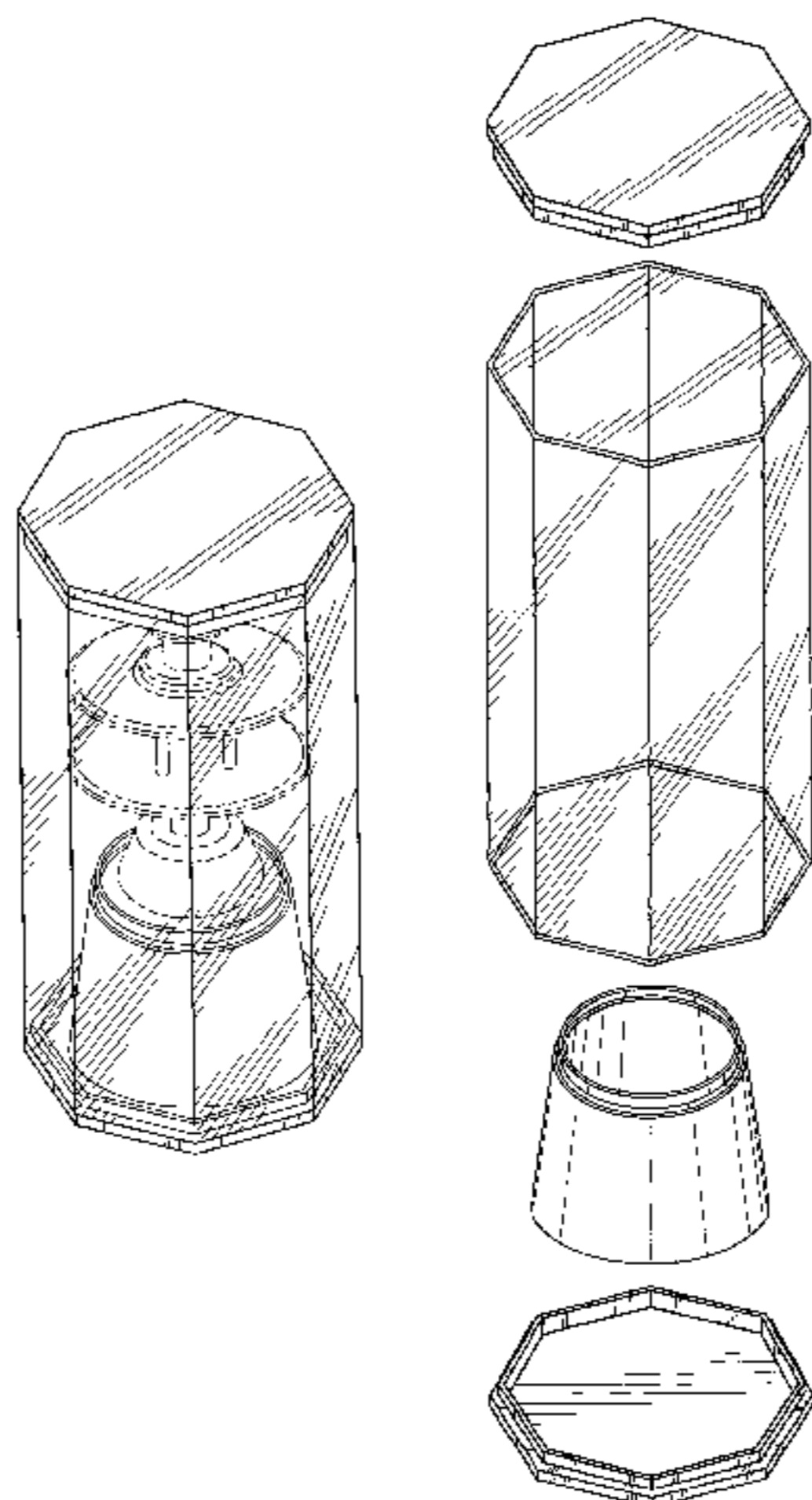
FIG. 1 is a perspective view of tubular packaging for a door knob assembly;

FIG. 2 is a top view thereof (the bottom view being identical to the top);

FIG. 3 is a front view thereof (the back, right, and left side views being identical to the front); and,

FIG. 4 is an exploded perspective view thereof.

1 Claim, 3 Drawing Sheets



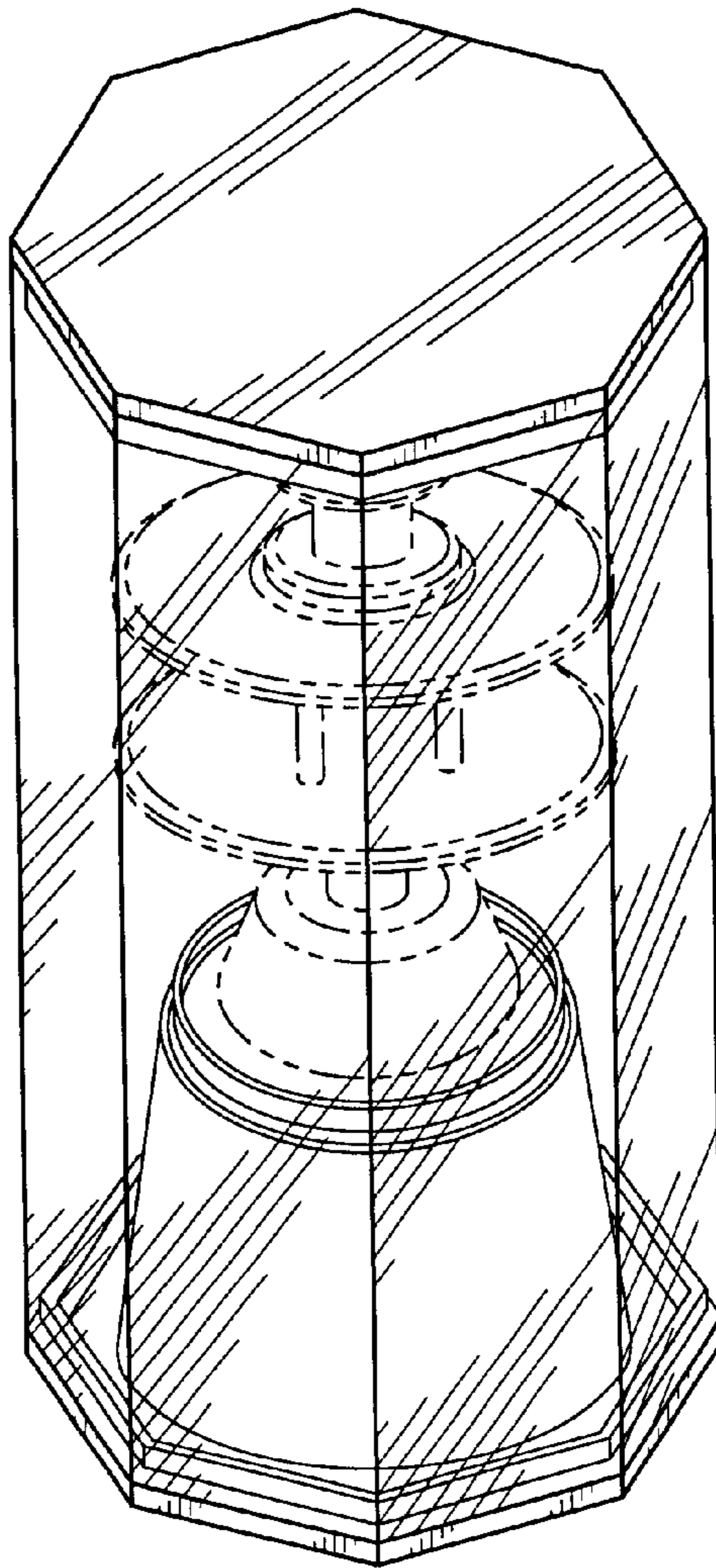


FIG. 1

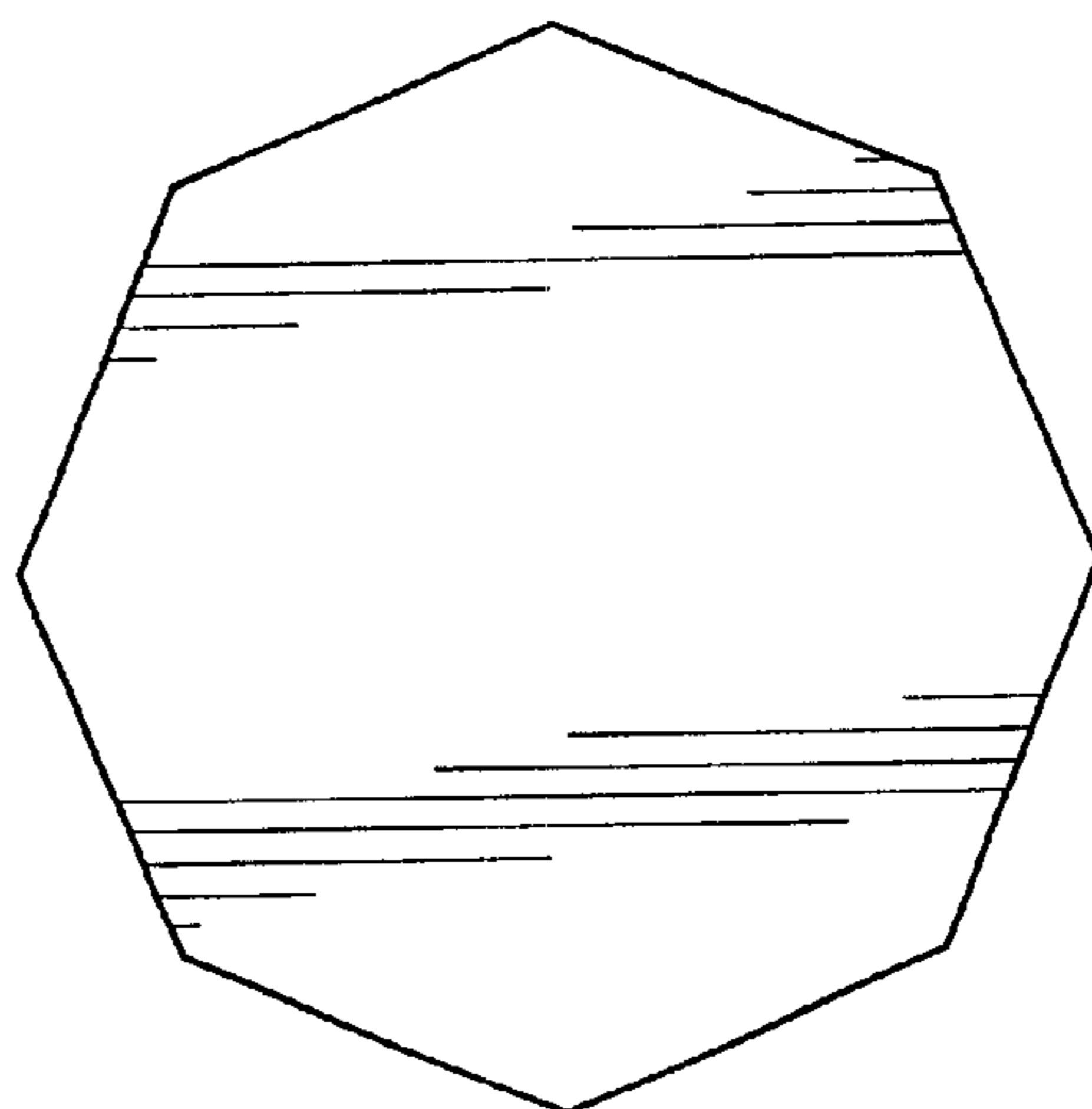


FIG. 2

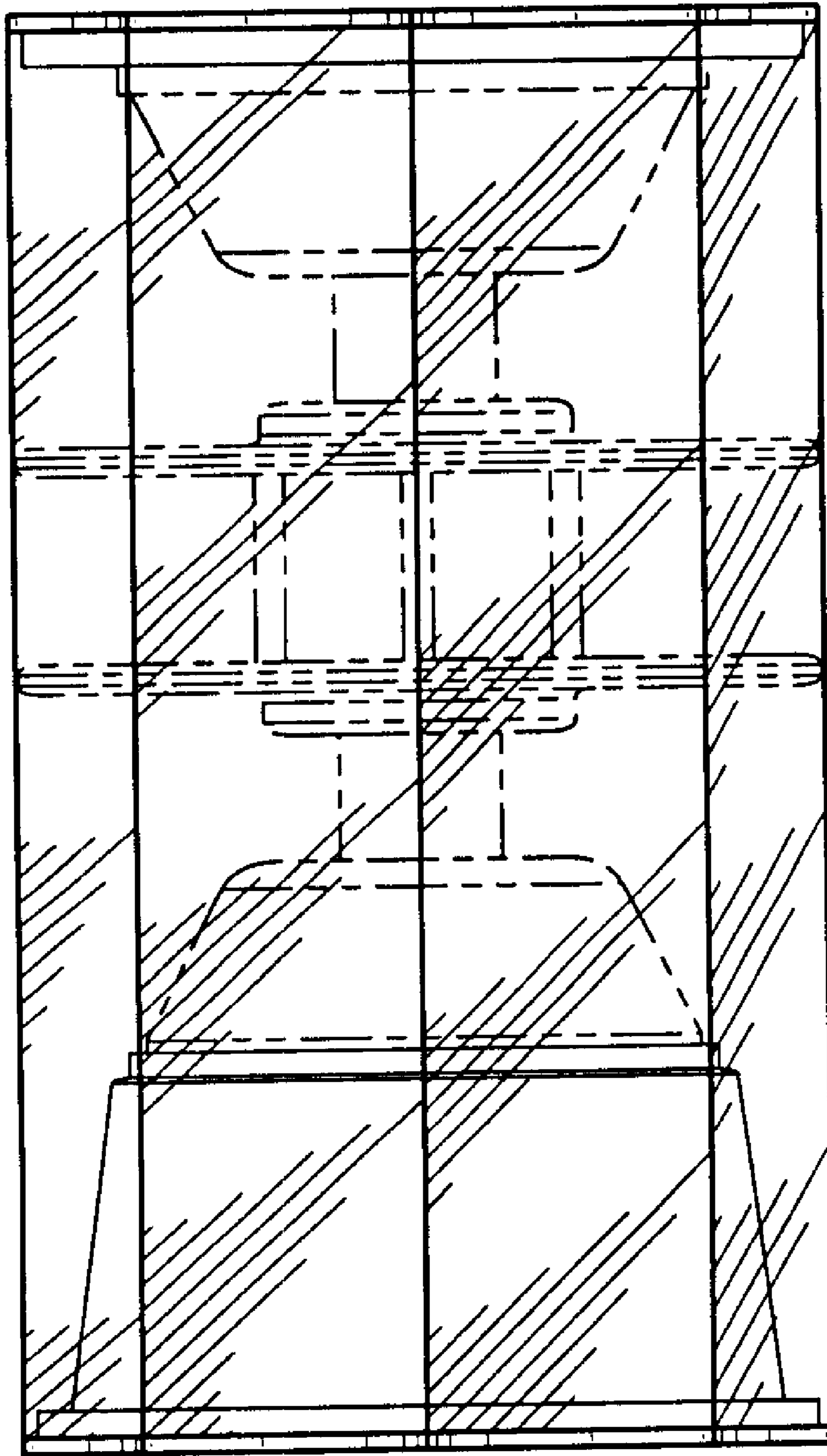


FIG. 3

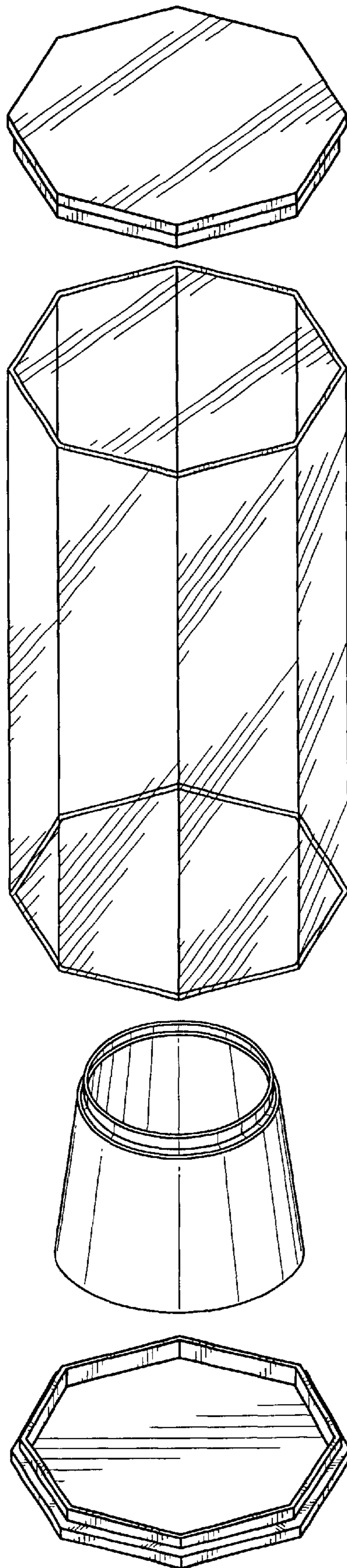


FIG. 4