



US00D472464S

(12) **United States Design Patent**
Snider

(10) **Patent No.:** **US D472,464 S**

(45) **Date of Patent:** **** Apr. 1, 2003**

(54) **STORAGE CASE**

(75) **Inventor:** **Gregory Scott Snider**, Bel Air, MD (US)

(73) **Assignee:** **Black & Decker Inc.**, Newark, DE (US)

(**) **Term:** **14 Years**

(21) **Appl. No.:** **29/145,921**

(22) **Filed:** **Jul. 31, 2001**

(51) **LOC (7) Cl.** **09-03**

(52) **U.S. Cl.** **D9/416**

(58) **Field of Search** D9/414, 416, 430,
D9/341, 346; 206/37, 438; 220/200, 810;
221/154, 282; 222/153.01, 173

(56) **References Cited**

U.S. PATENT DOCUMENTS

3,735,861 A	5/1973	Wallach	
D266,970 S	* 11/1982	Lilbob	D3/200
D271,916 S	* 12/1983	Koch	D12/423
D312,423 S	* 11/1990	Orlinsky et al.	D10/104
D341,388 S	11/1993	Rocco	
D420,585 S	* 2/2000	Guillin	D9/430
D427,060 S	* 6/2000	Lluch	D9/339
D433,231 S	11/2000	Kaplan	
D449,984 S	* 11/2001	Rorvik	D9/415
D452,045 S	* 12/2001	Ferber	D28/61
D452,565 S	* 12/2001	Smith	D24/170

* cited by examiner

Primary Examiner—James Gandy

Assistant Examiner—Daniel Bui

(74) *Attorney, Agent, or Firm*—Harness, Dickey & Pierce, P.L.C.

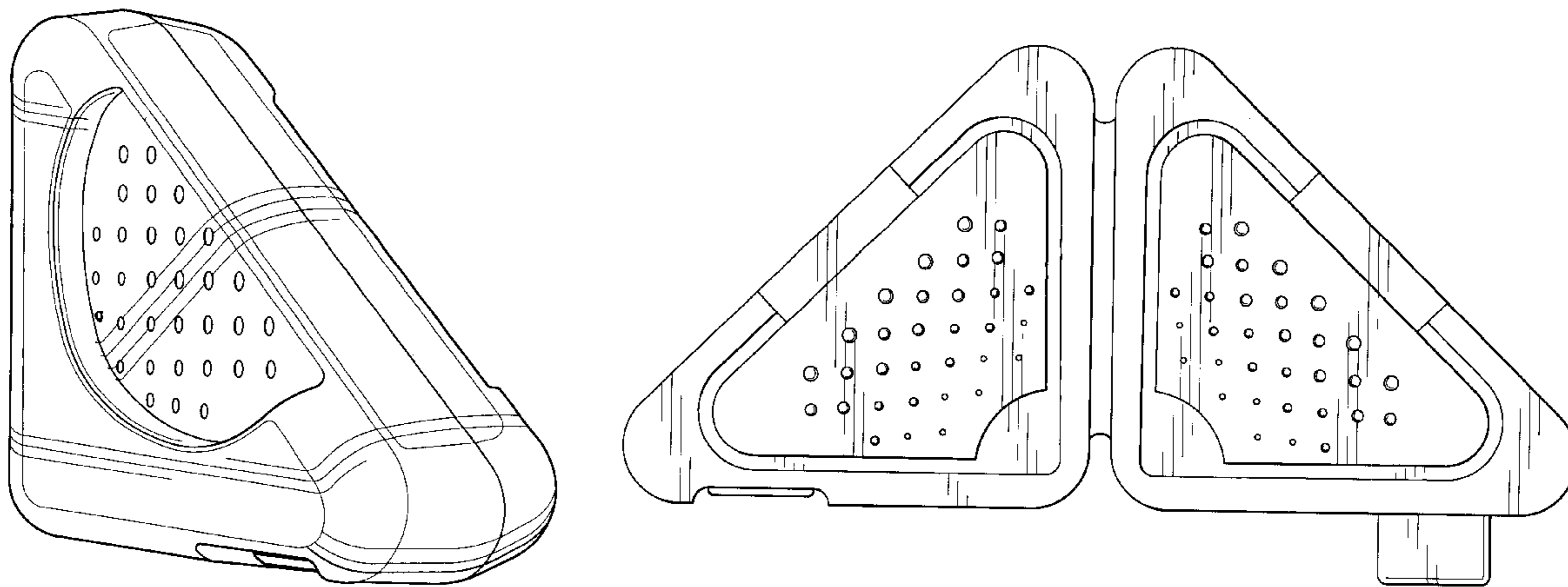
(57) **CLAIM**

The ornamental design for a storage case, as shown and described.

DESCRIPTION

FIG. 1 is a perspective view of a storage case;
 FIG. 2 is a front view thereof;
 FIG. 3 is a rear view thereof;
 FIG. 4 is a top view thereof;
 FIG. 5 is a bottom view thereof;
 FIG. 6 is a left side view thereof;
 FIG. 7 is a front view of the storage case in an open position showing interior flaps in a closed position;
 FIG. 8 is a front view of the storage case in an open position showing interior flaps in an open position;
 FIG. 9 is a perspective view of a second embodiment of a storage case;
 FIG. 10 is a front view thereof;
 FIG. 11 is a rear view thereof;
 FIG. 12 is a top view thereof;
 FIG. 13 is a bottom view thereof;
 FIG. 14 is a left side view thereof; and,
 FIG. 15 is a front view of the storage case in an open position showing interior flaps in a closed position (the open position has the same appearance as FIG. 8).
 The broken line showing of the environment is for illustrative purposes only and forms no part of the claimed design.

1 Claim, 6 Drawing Sheets



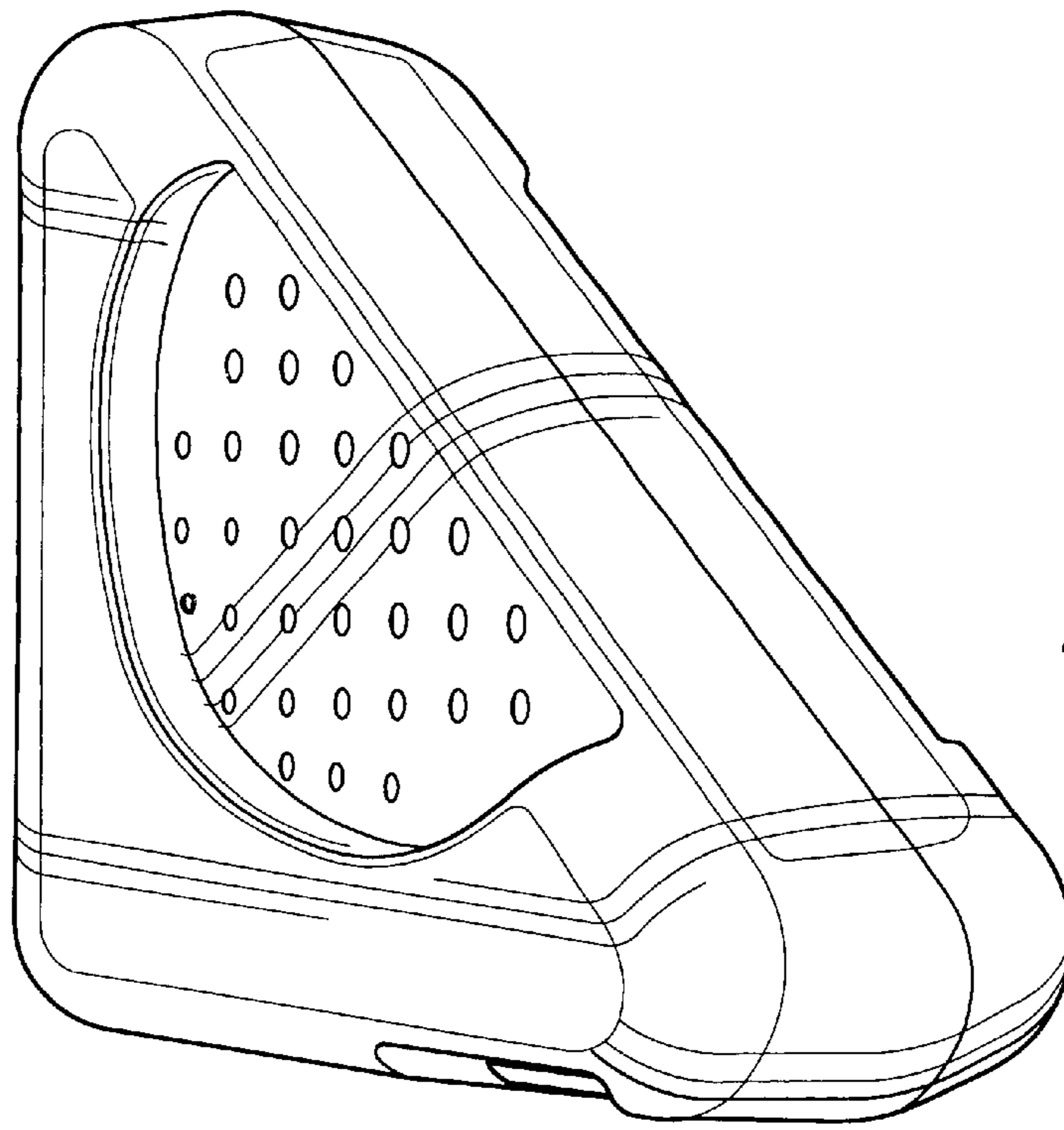


Fig-1

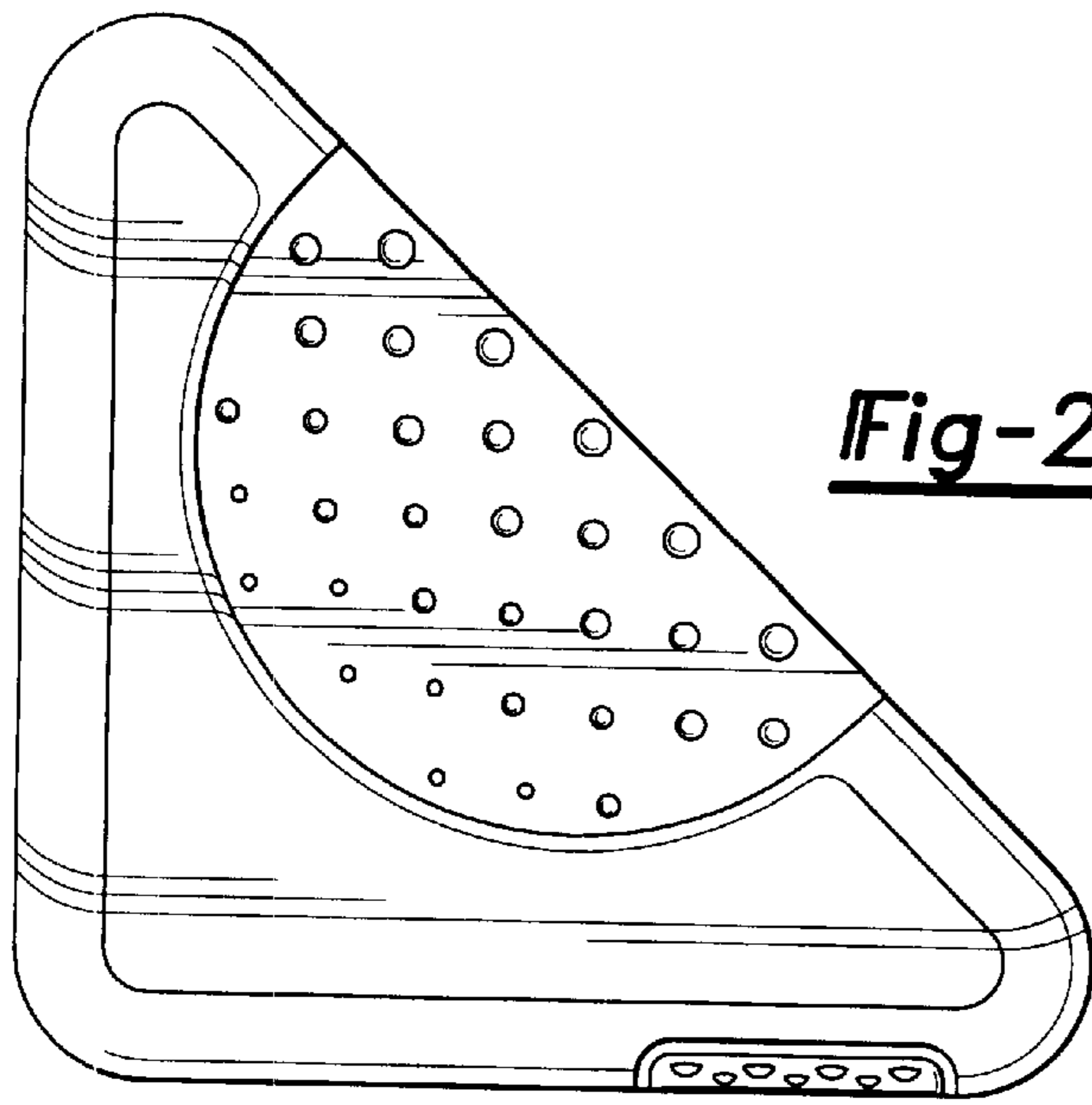


Fig-2

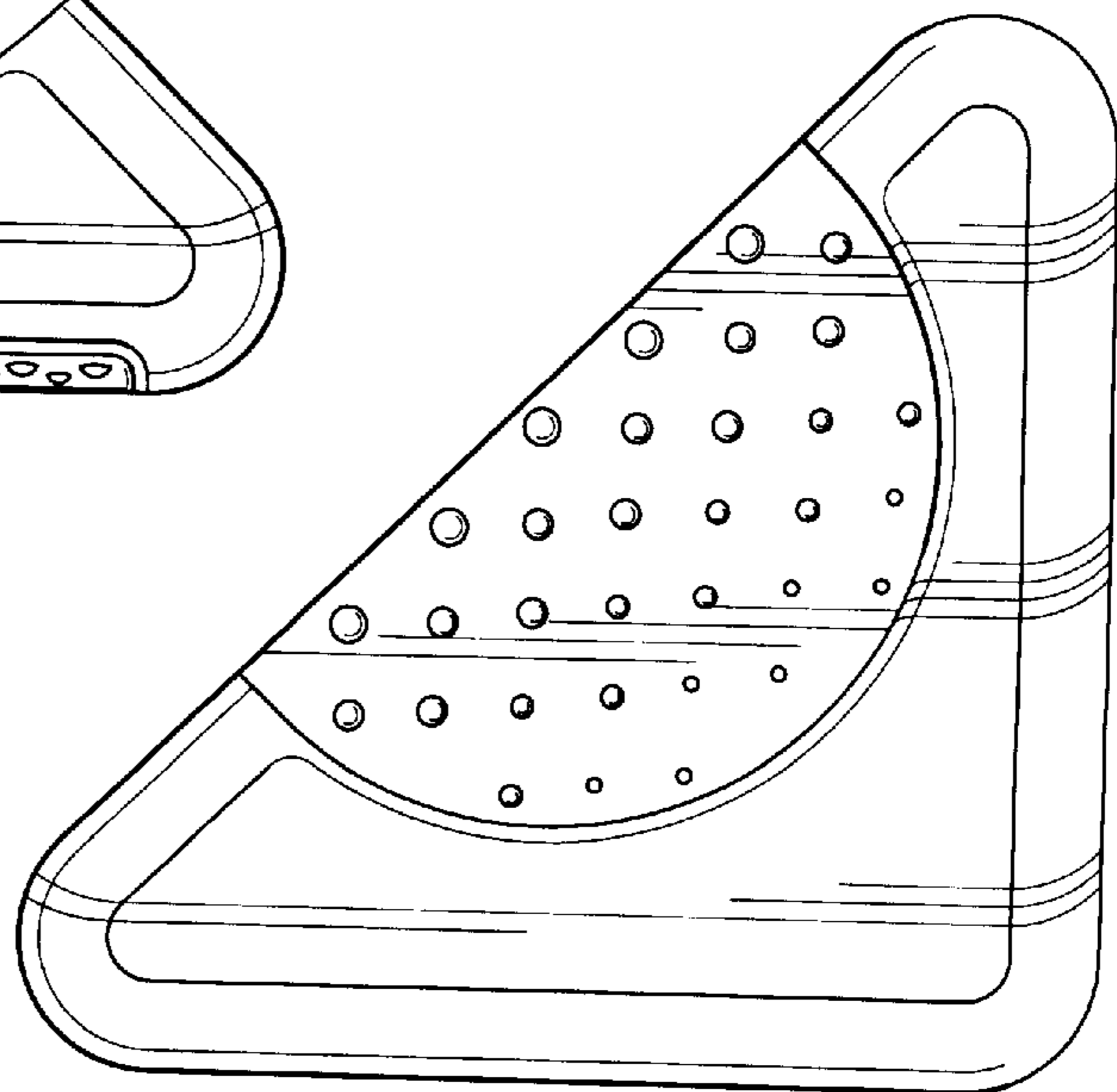


Fig-3

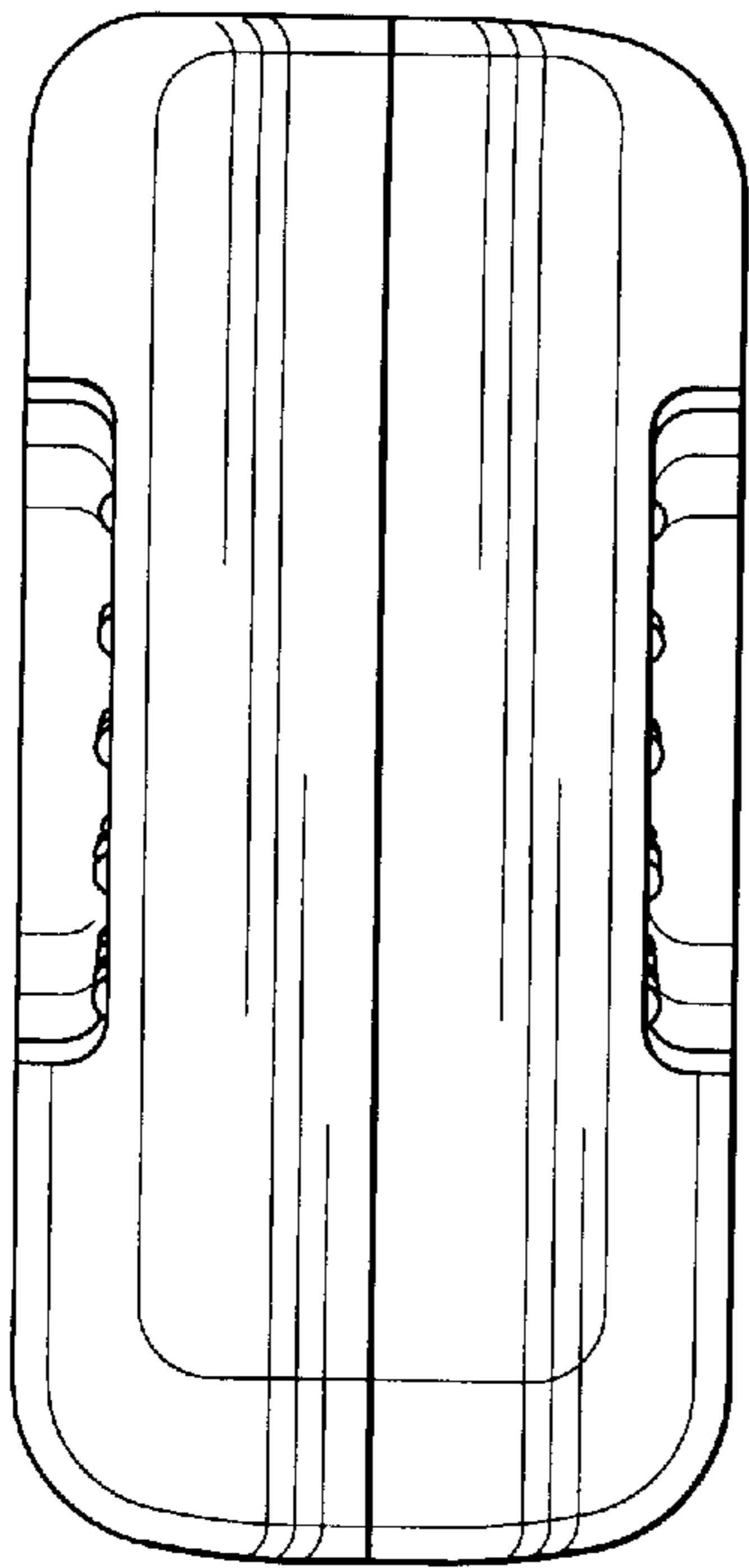


Fig-4

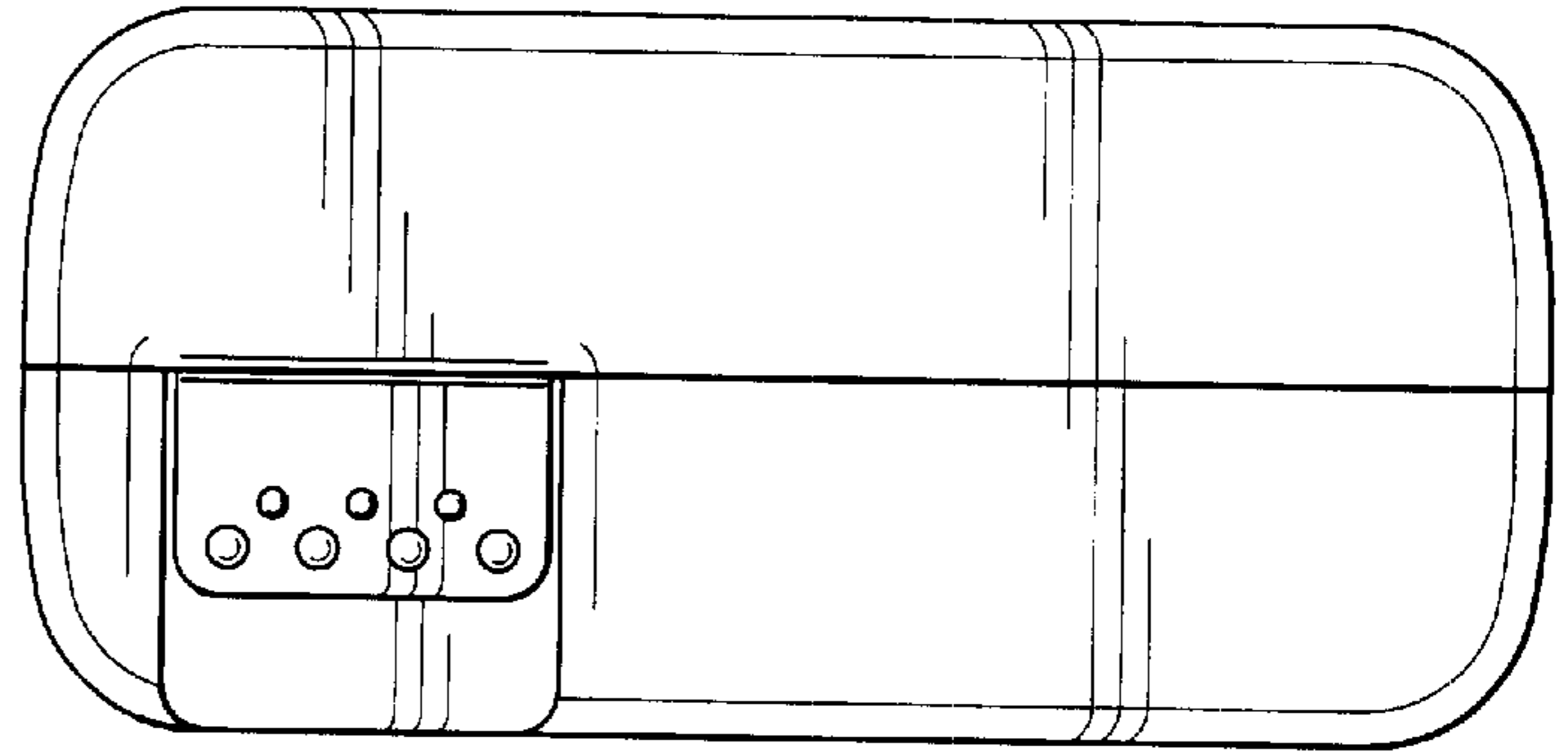


Fig-5

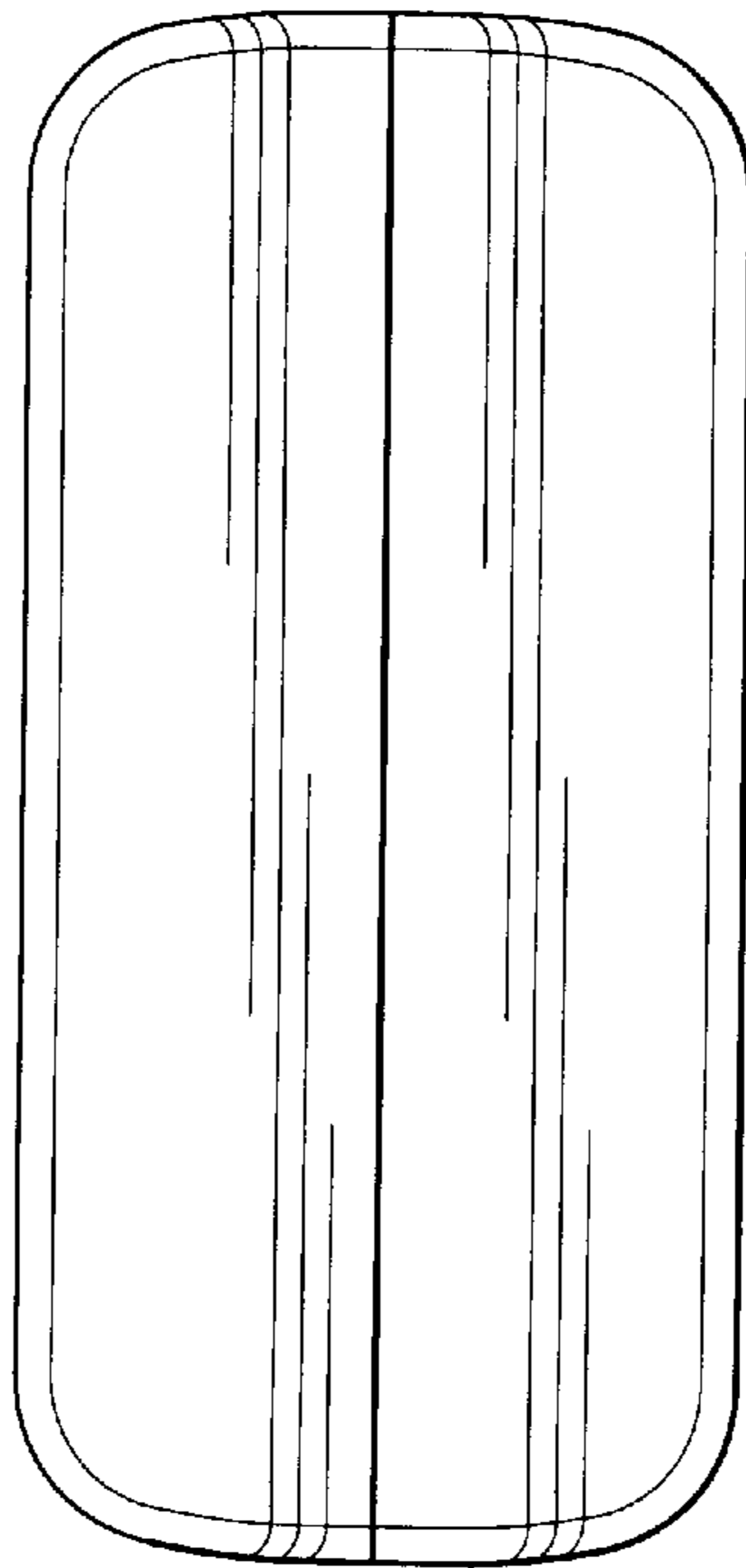


Fig-6

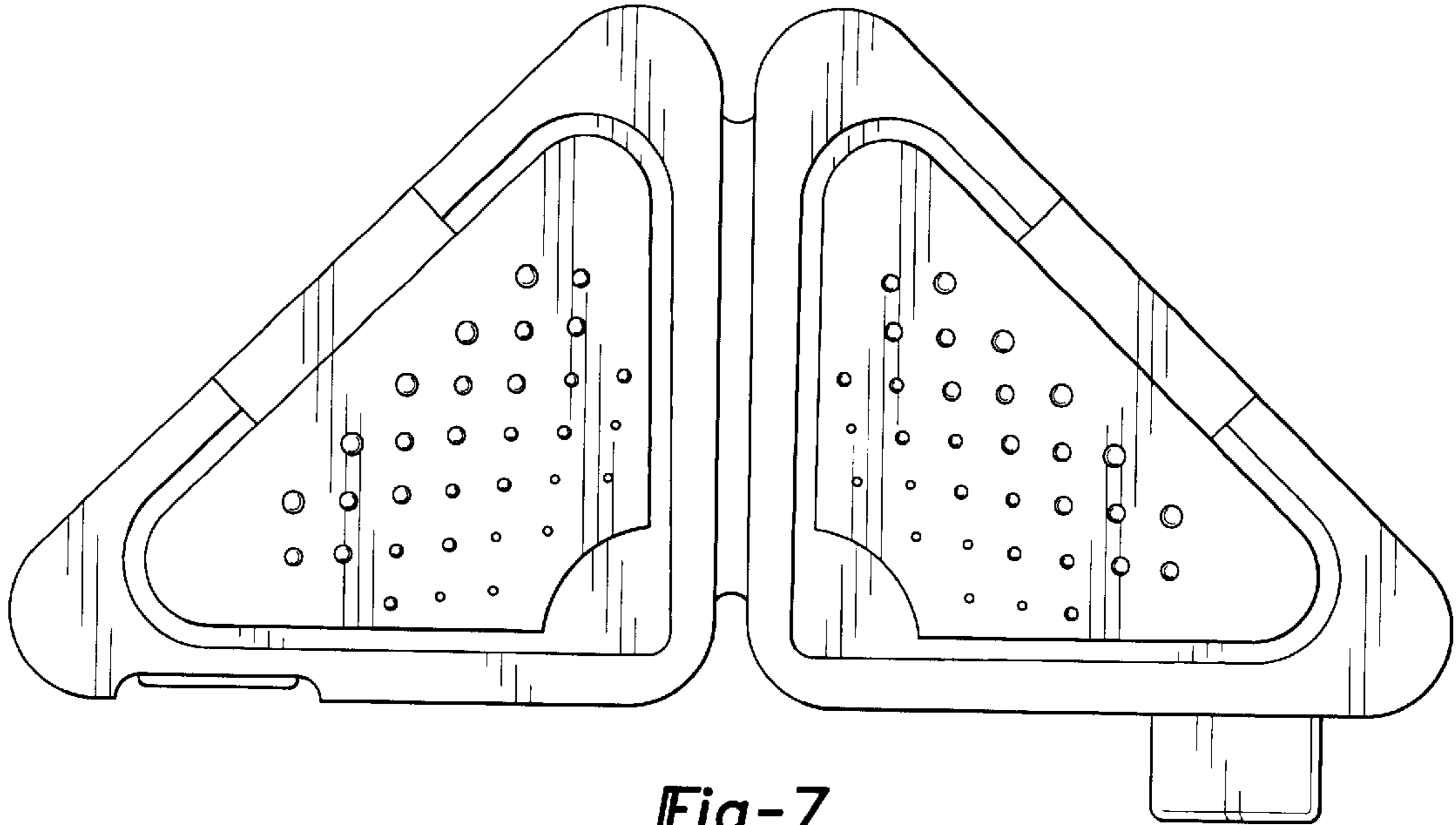


Fig-7

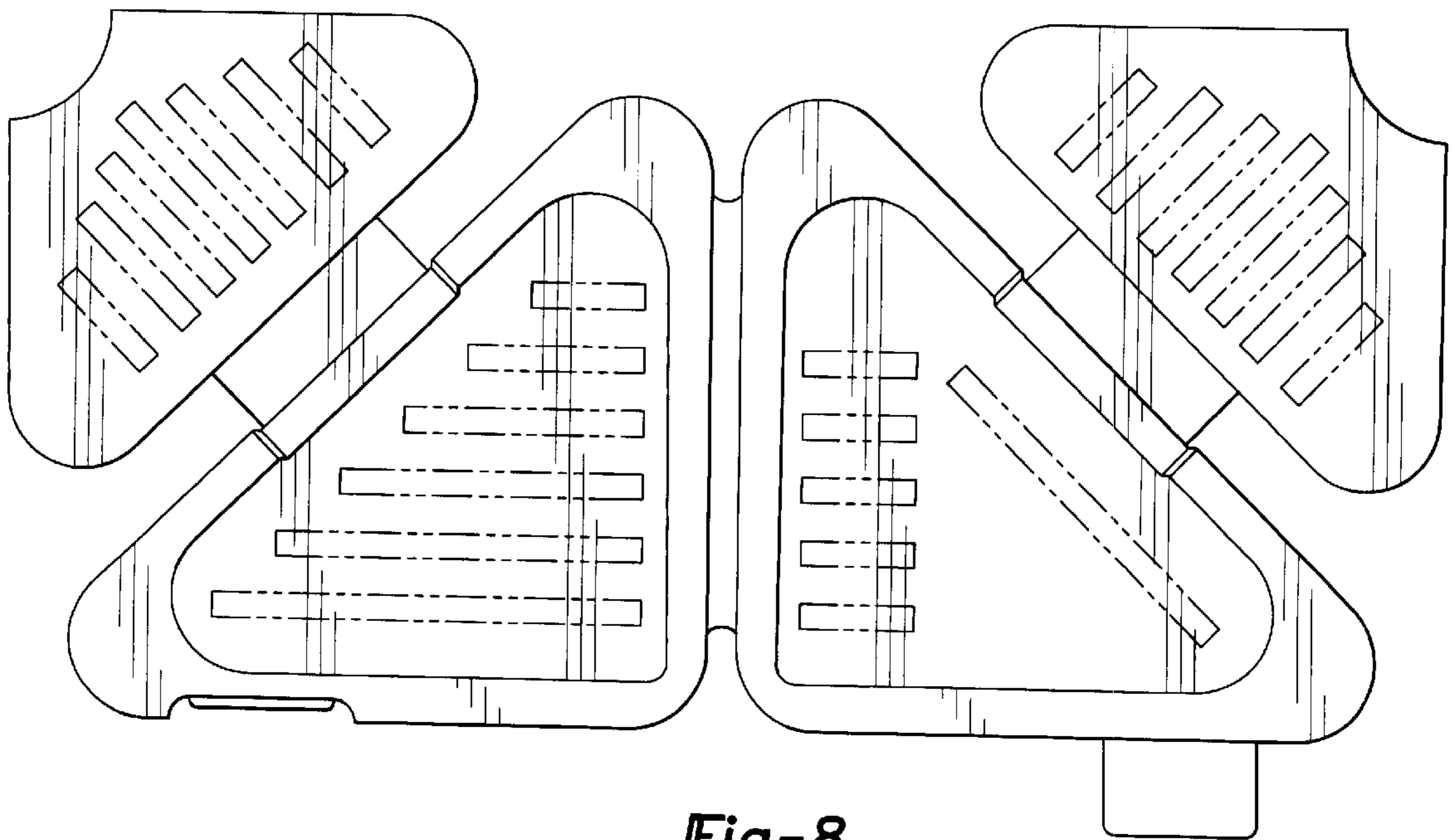


Fig-8

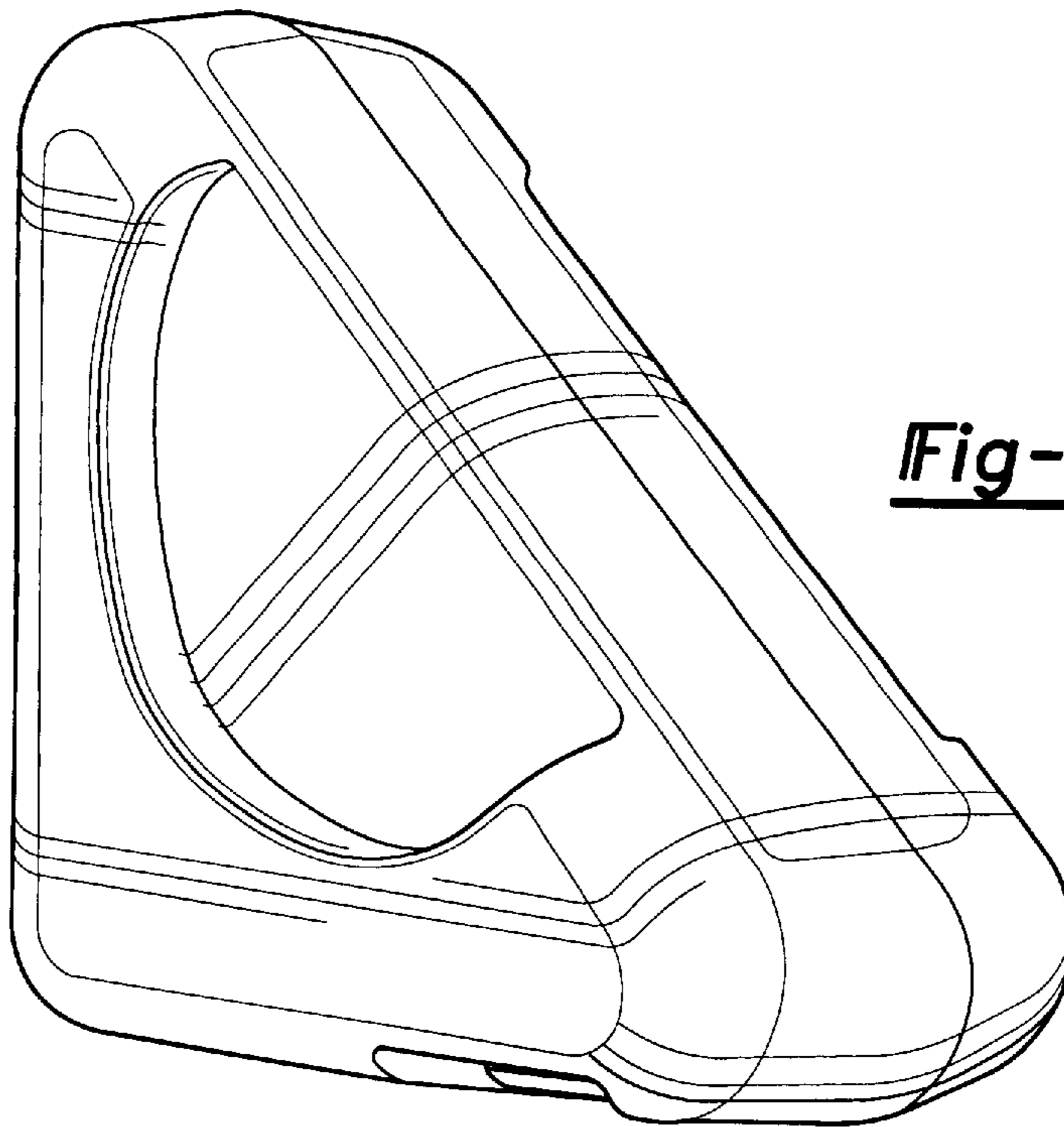


Fig-9

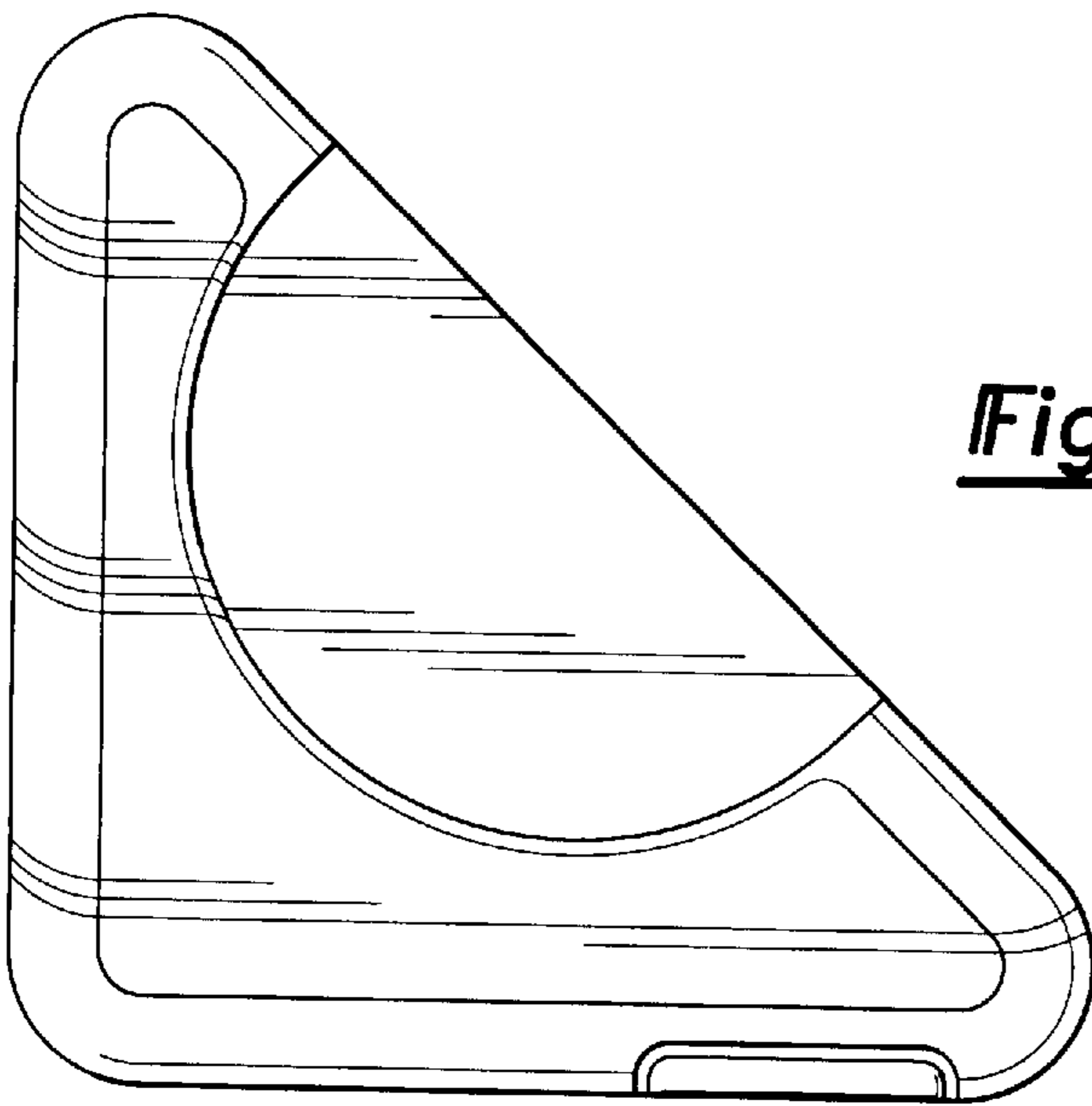


Fig-10

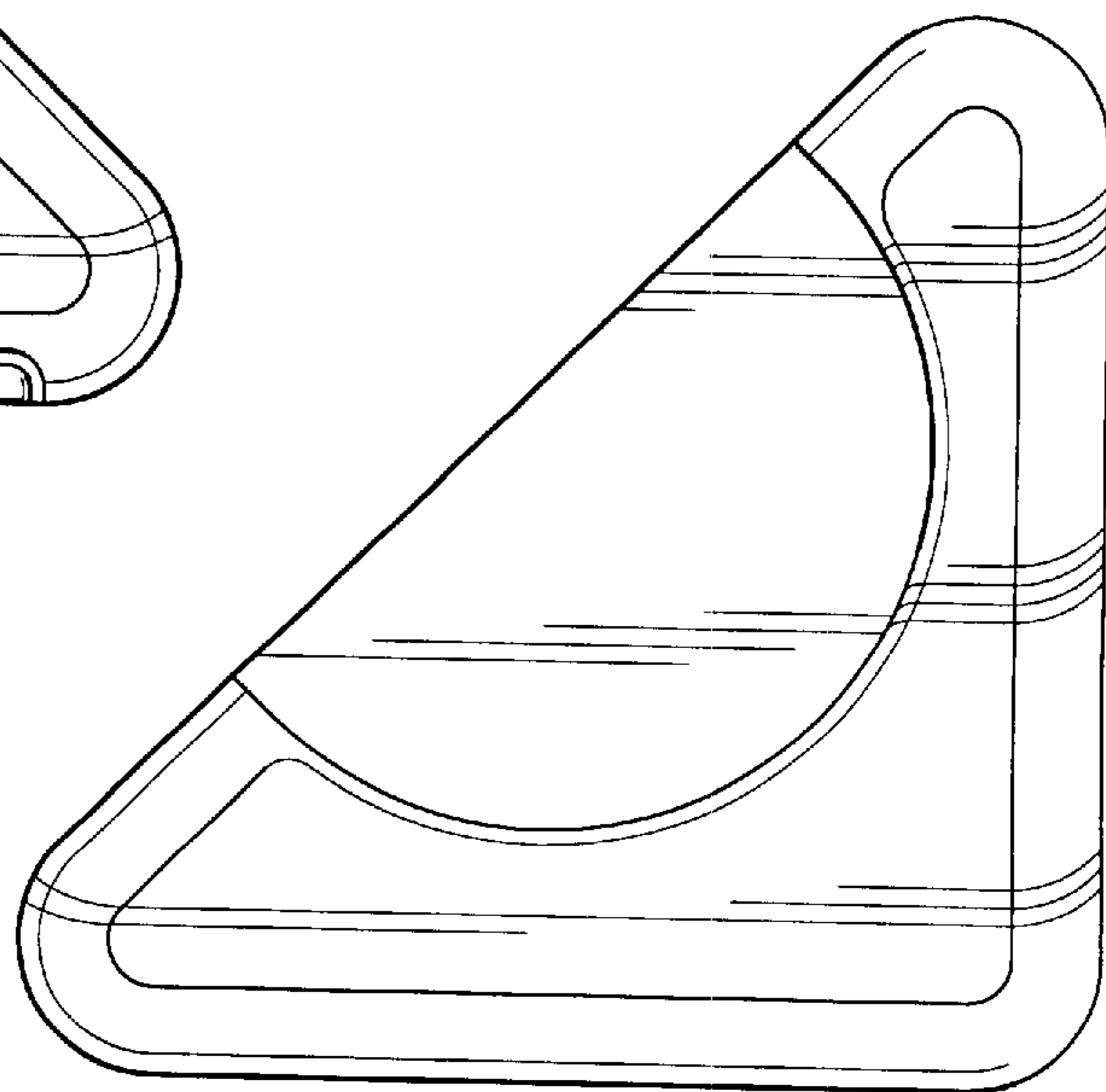


Fig-11

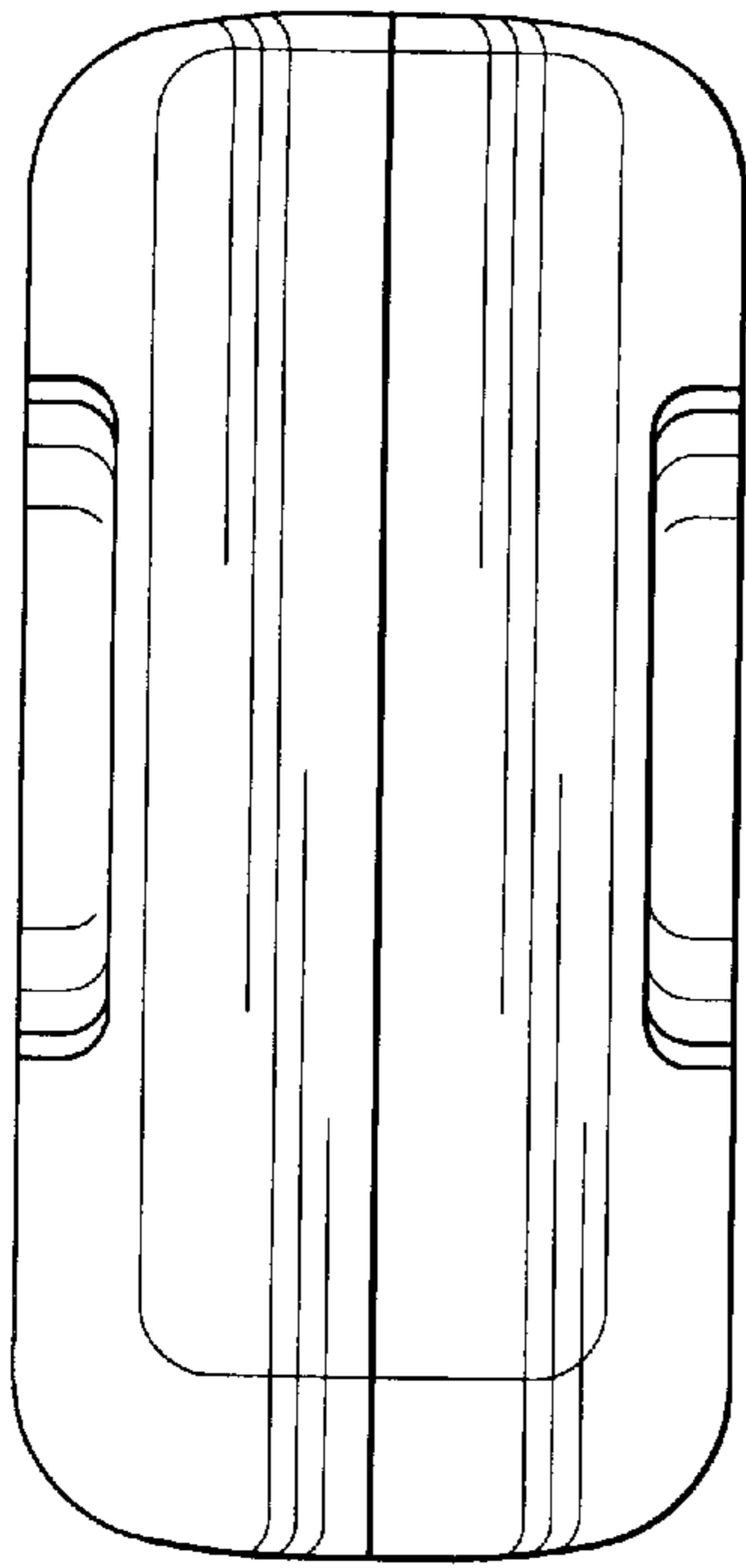


Fig-12

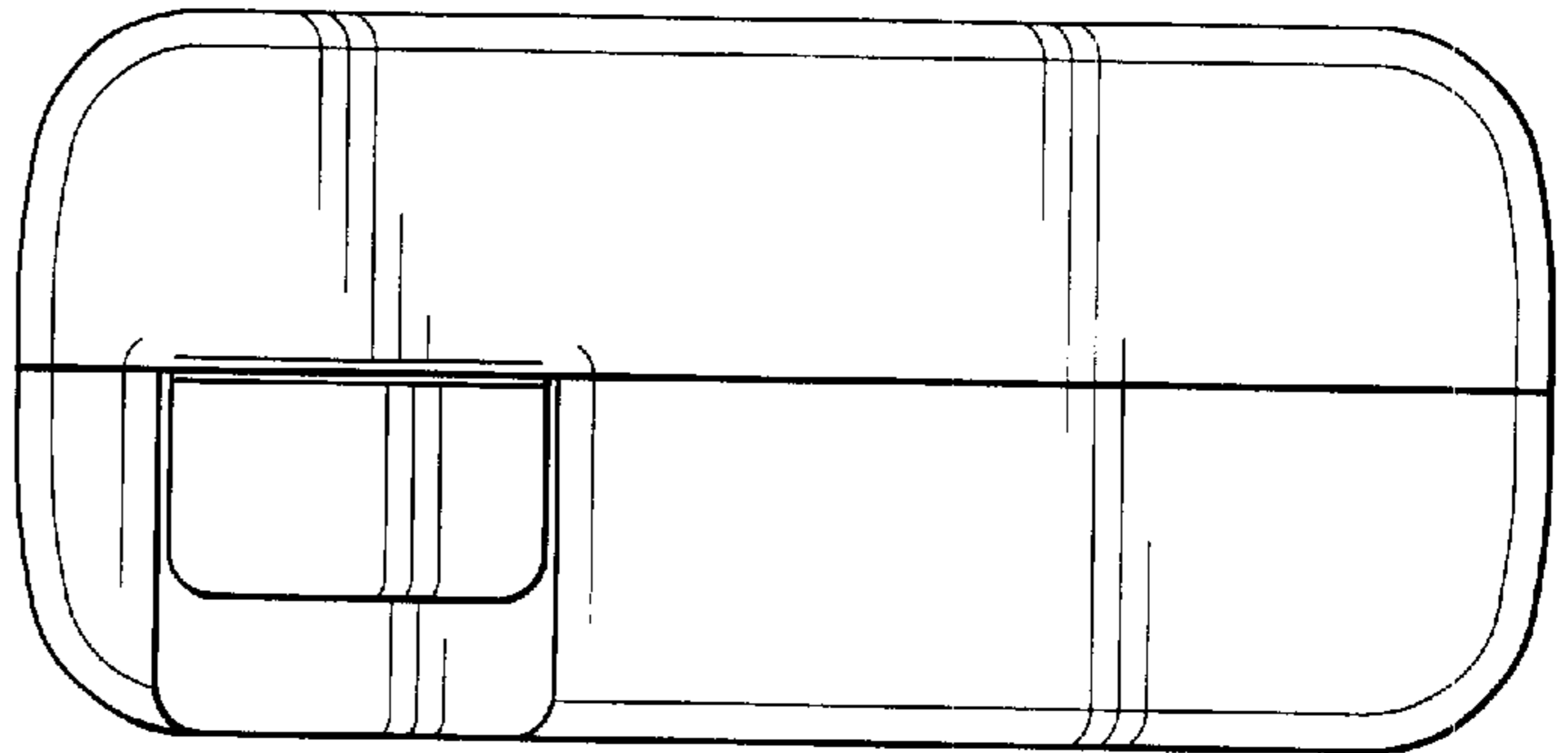


Fig-13

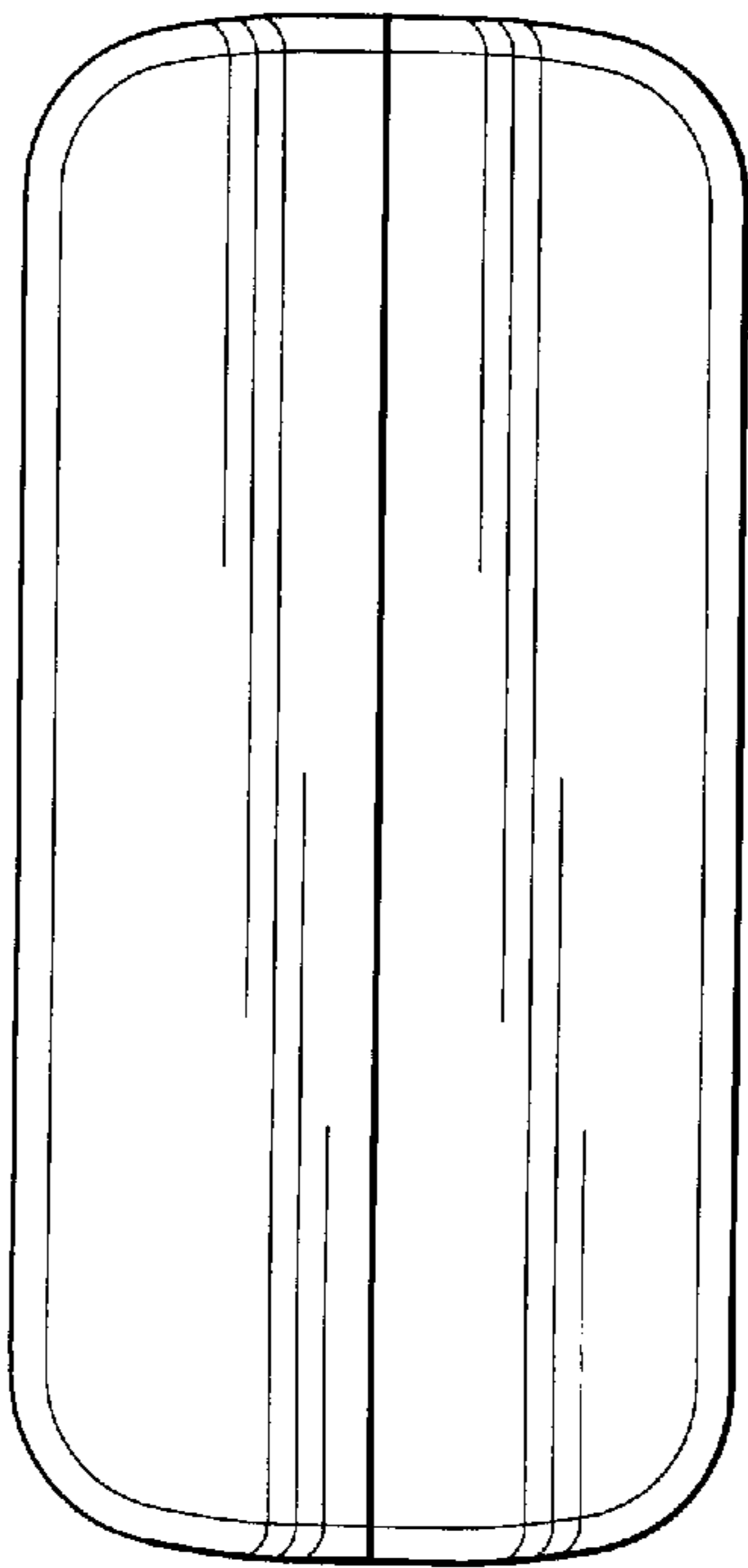


Fig-14

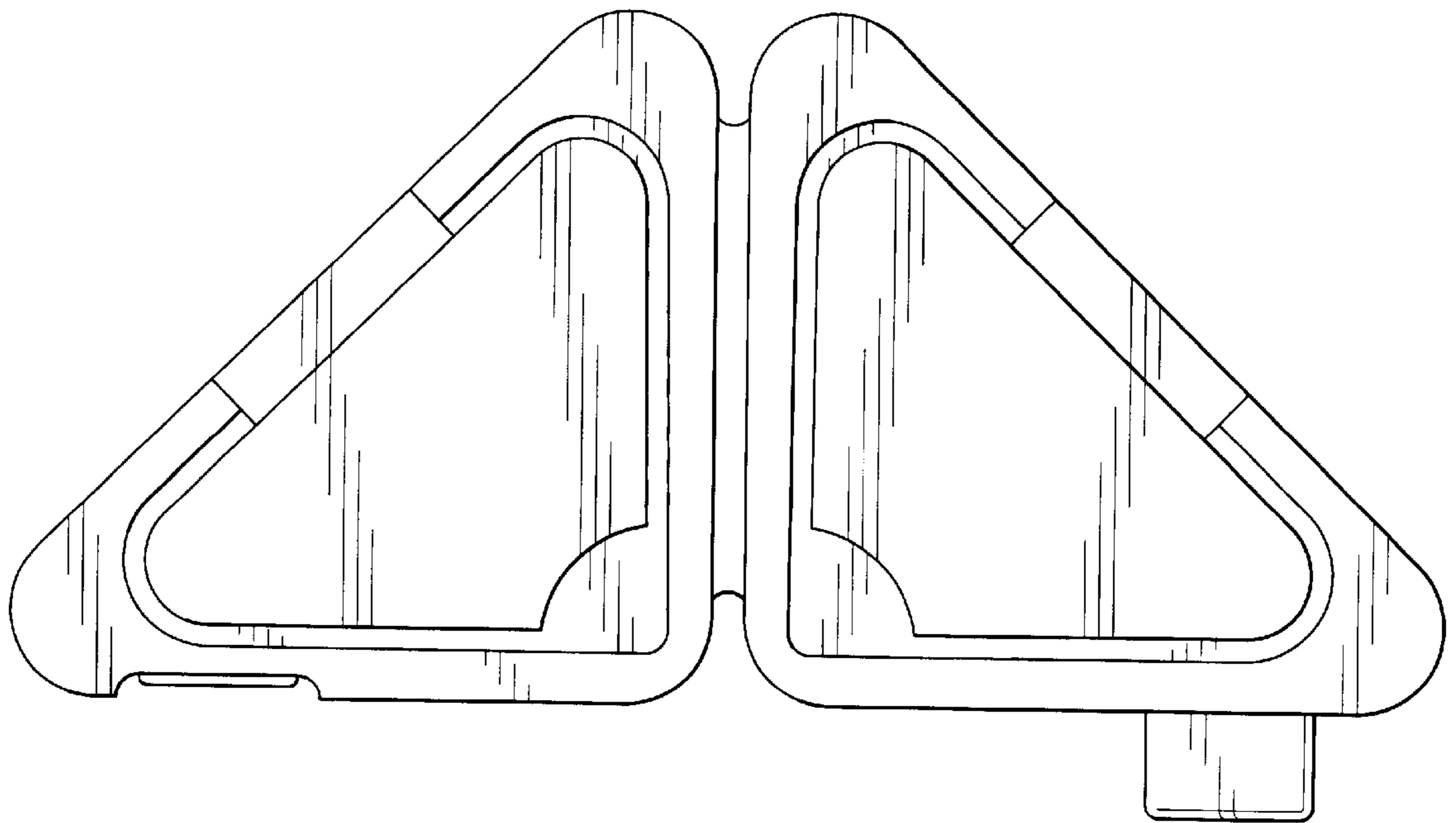


Fig-15