



US00D472459S

(12) **United States Design Patent**
Stadermann et al.

(10) **Patent No.:** **US D472,459 S**

(45) **Date of Patent:** **** Apr. 1, 2003**

(54) **CONTAINER**

(75) Inventors: **Marlies Stadermann**, Allershausen (DE); **Rudolf Stadermann**, Sangerhausen (DE)

(73) Assignee: **Oxywell GmbH & Co. Sauerstofftechnik KG**, Taufkirchen (DE)

(**) Term: **14 Years**

(21) Appl. No.: **29/150,583**

(22) Filed: **Nov. 27, 2001**

(51) **LOC (7) Cl.** **09-01**

(52) **U.S. Cl.** **D9/300; D7/300.1**

(58) **Field of Search** D9/300, 301, 516, D9/519, 549, 520, 525; 215/6, 382, 400; D7/300.1; 222/465.1; 220/708, 707, 709

(56) **References Cited**

U.S. PATENT DOCUMENTS

D101,786 S	*	11/1936	Lozon	D7/300.1
D121,052 S	*	6/1940	Ward	D7/300.1
D126,188 S	*	4/1941	Gebhart et al.	D7/398
D180,461 S	*	6/1957	Rodriguez et al.	D7/300.1
D202,606 S	*	10/1965	Zelisko	D7/398
D213,489 S	*	3/1969	Foxell	D7/300.1
D236,880 S	*	9/1975	Sway	D9/525
D328,200 S	*	7/1992	Ipsen	D7/398
D332,053 S	*	12/1992	Sabbia	D9/549
5,417,991 A	*	5/1995	Green	426/241
D385,745 S	*	11/1997	Valentinitsch	D7/300.1
D401,106 S	*	11/1998	Valentinitsch	D7/300.1
D448,300 S	*	9/2001	Walters et al.	D9/520

* cited by examiner

Primary Examiner—Paula A. Mortimer

(74) *Attorney, Agent, or Firm*—Greenblum & Bernstein, P.L.C.

(57) **CLAIM**

I claim the ornamental design for a container, as shown and described.

DESCRIPTION

FIG. 1 is a perspective top side view of a container bottle with a siphon cap installed thereon. A small cap is installed on one side of the siphon cap and a bent tube extends from another side of the siphon cap;

FIG. 2 is a front side view of the design embodiment shown in FIG. 1;

FIG. 3 is a back side view of the design embodiment shown in FIG. 1. The small cap is located in front of the siphon cap and is seen in perspective;

FIG. 4 is a left side view of the design embodiment shown in FIG. 1;

FIG. 5 is a right side view of the design embodiment shown in FIG. 1;

FIG. 6 is a top view of the design embodiment shown in FIG. 1;

FIG. 7 is a bottom view of the design embodiment shown in FIG. 1;

FIG. 8 is a perspective top side view of a container bottle having a siphon cap installed on the bottle. A handle is installed on one side of the siphon cap and a bent tube extends from another side of the siphon cap;

FIG. 9 is a front side view of the design embodiment shown in FIG. 8;

FIG. 10 is a back side view of the design embodiment shown in FIG. 8;

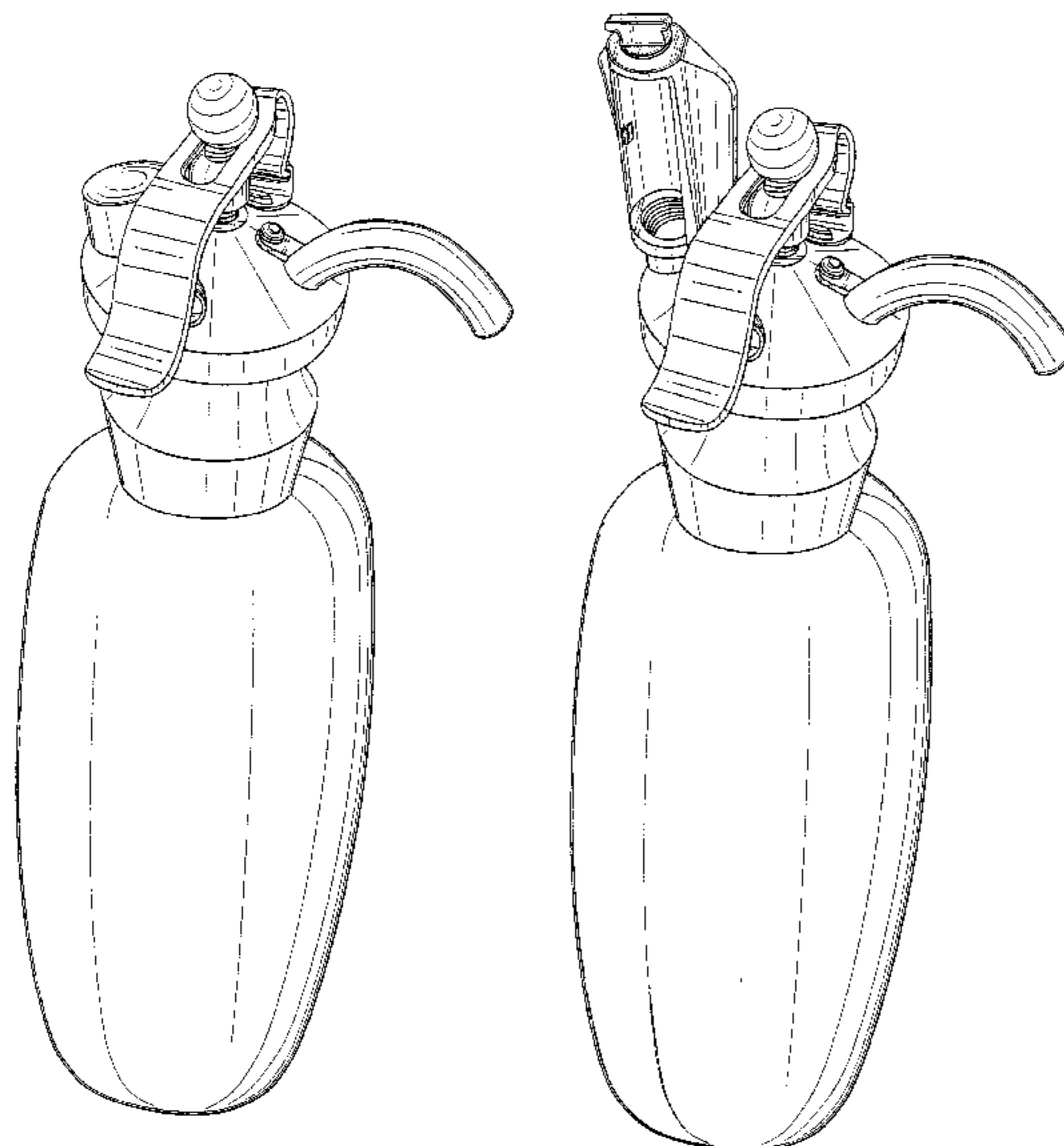
FIG. 11 is a left side view of the design embodiment shown in FIG. 8;

FIG. 12 is a right side view of the design embodiment shown in FIG. 8;

FIG. 13 is a top view of the design embodiment shown in FIG. 8; and,

FIG. 14 is a bottom view of the design embodiment shown in FIG. 8.

1 Claim, 12 Drawing Sheets



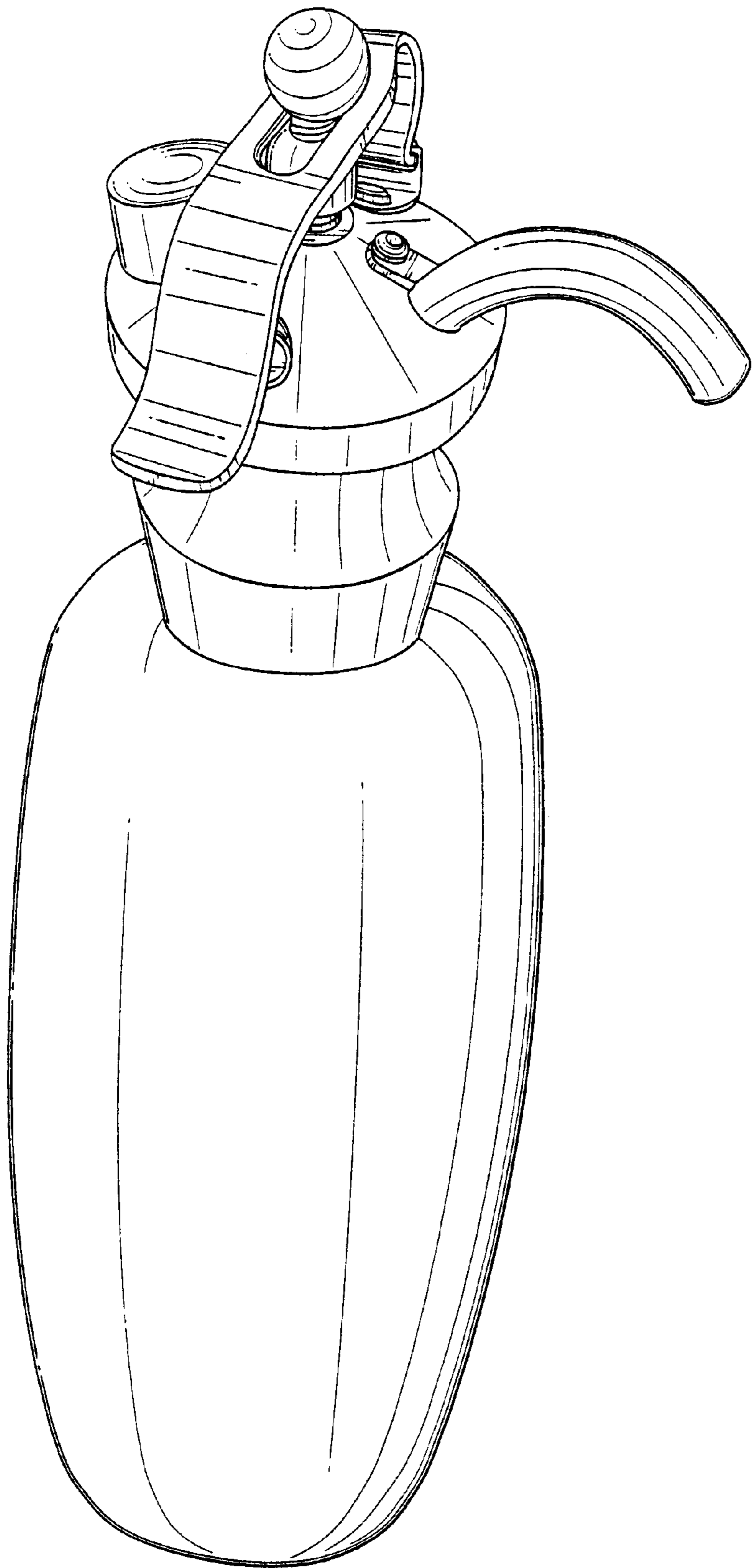


FIG. 1

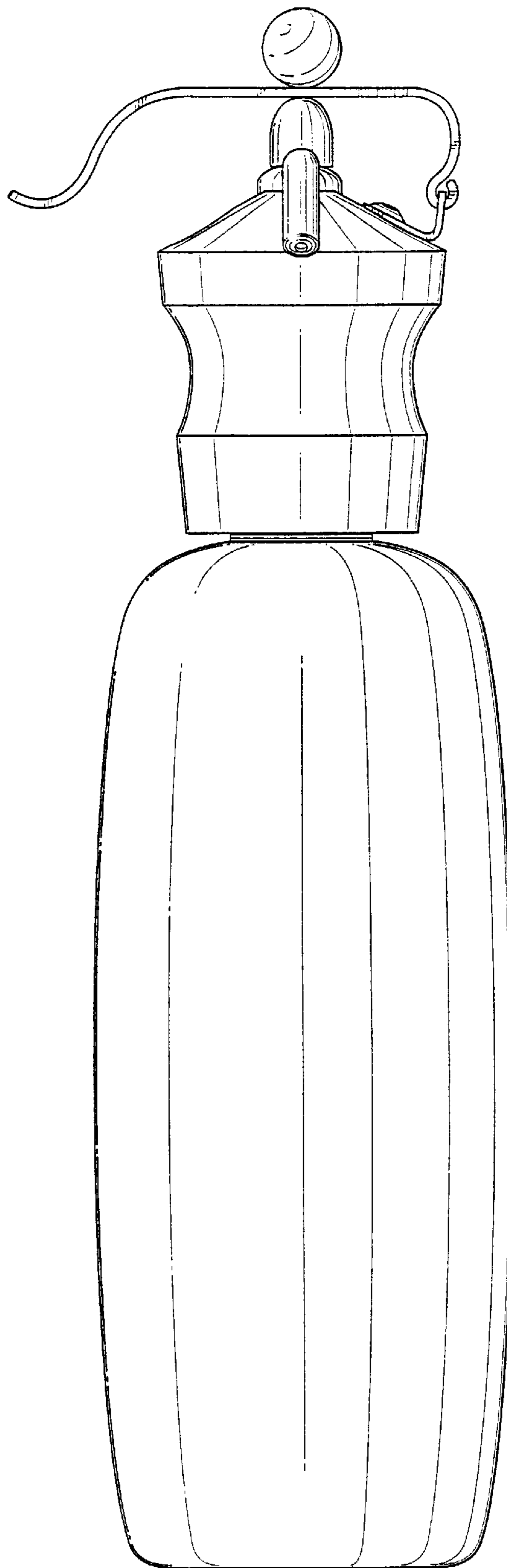


FIG. 2

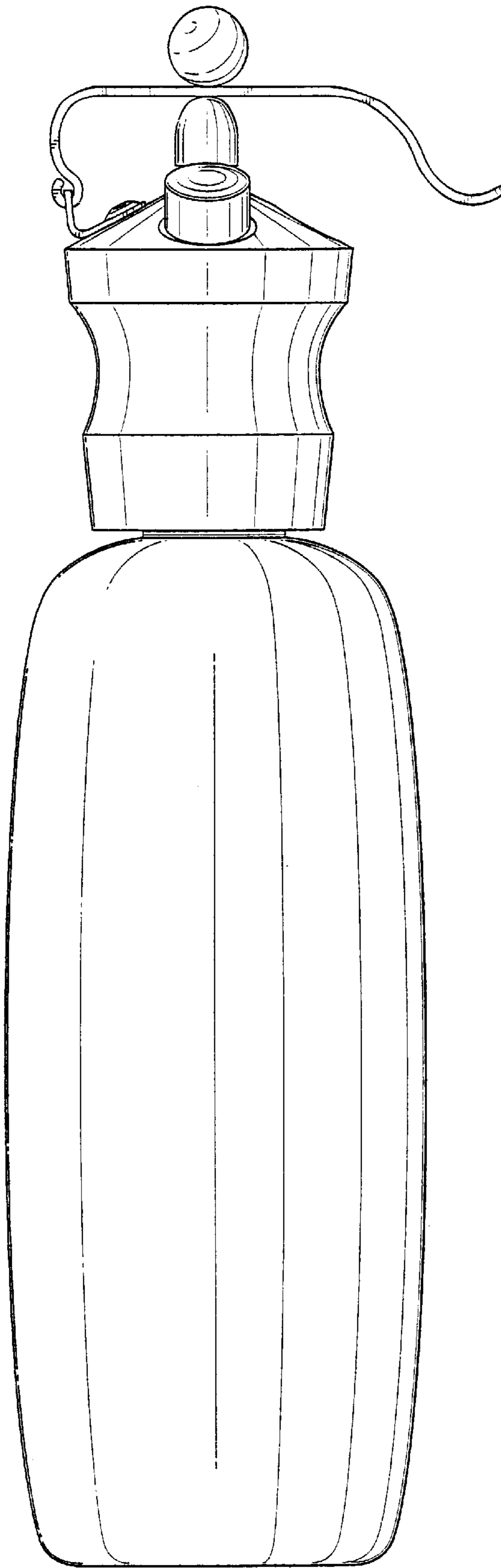


FIG. 3

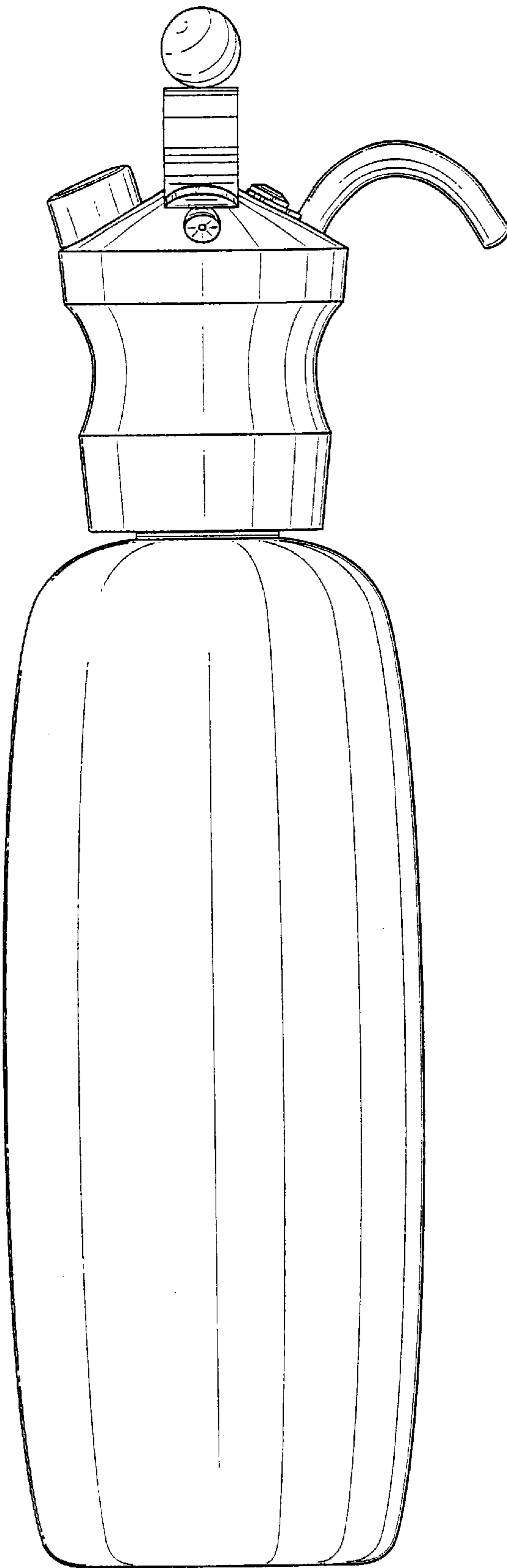


FIG. 4

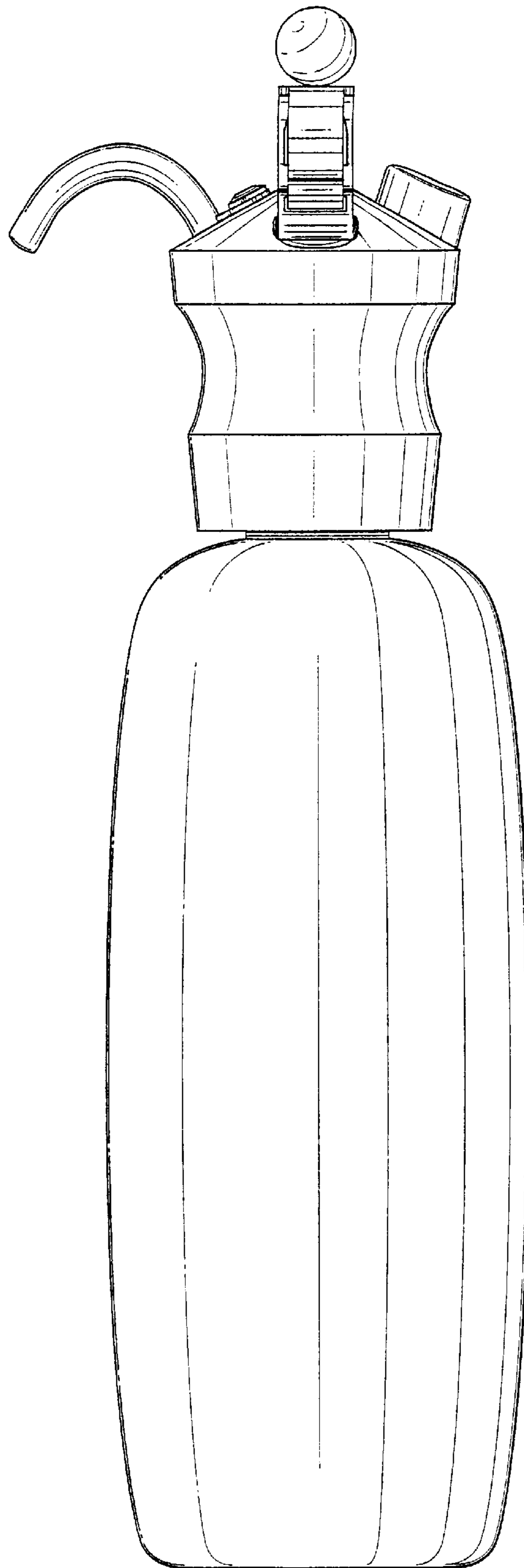


FIG. 5

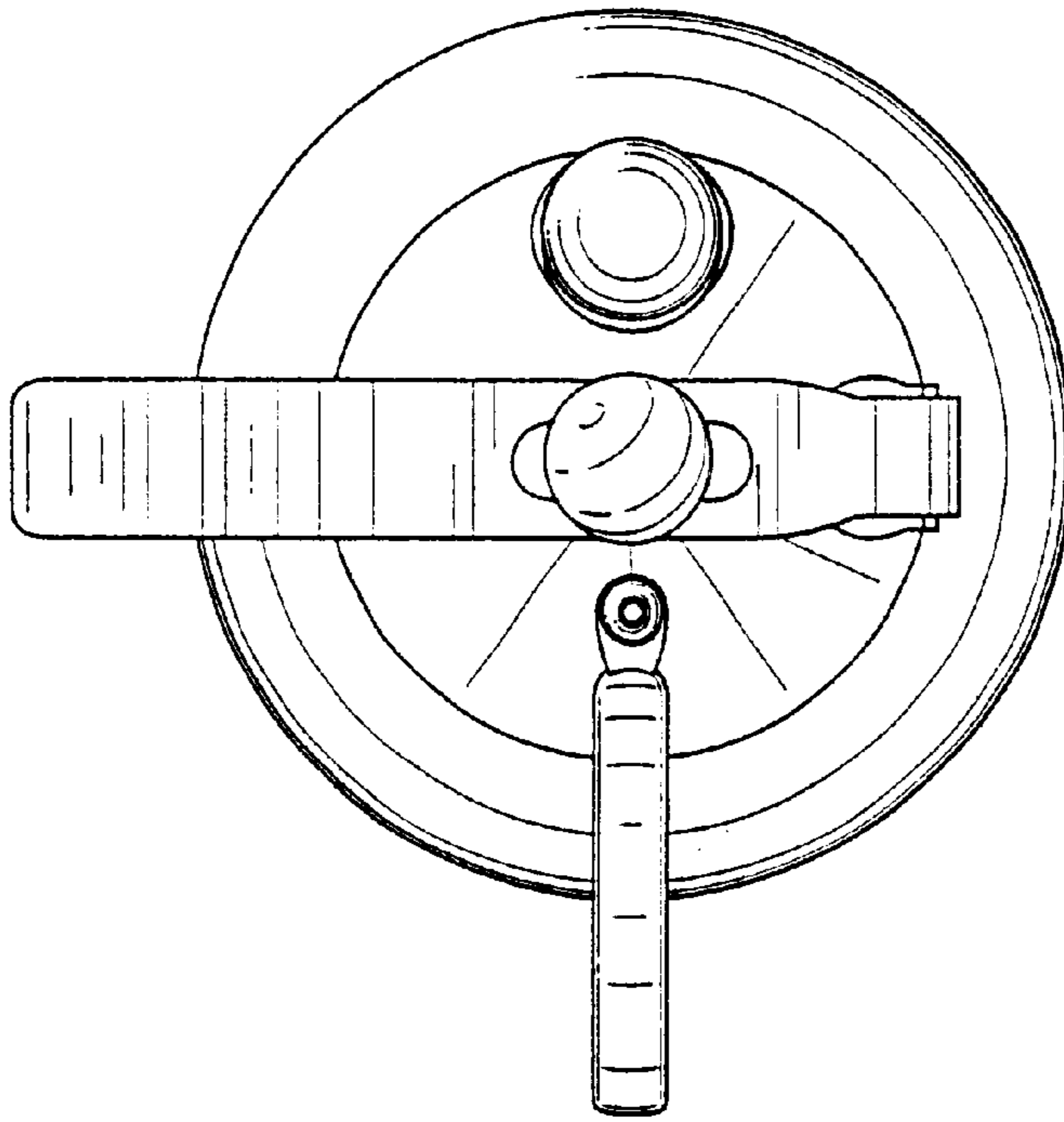


FIG. 6

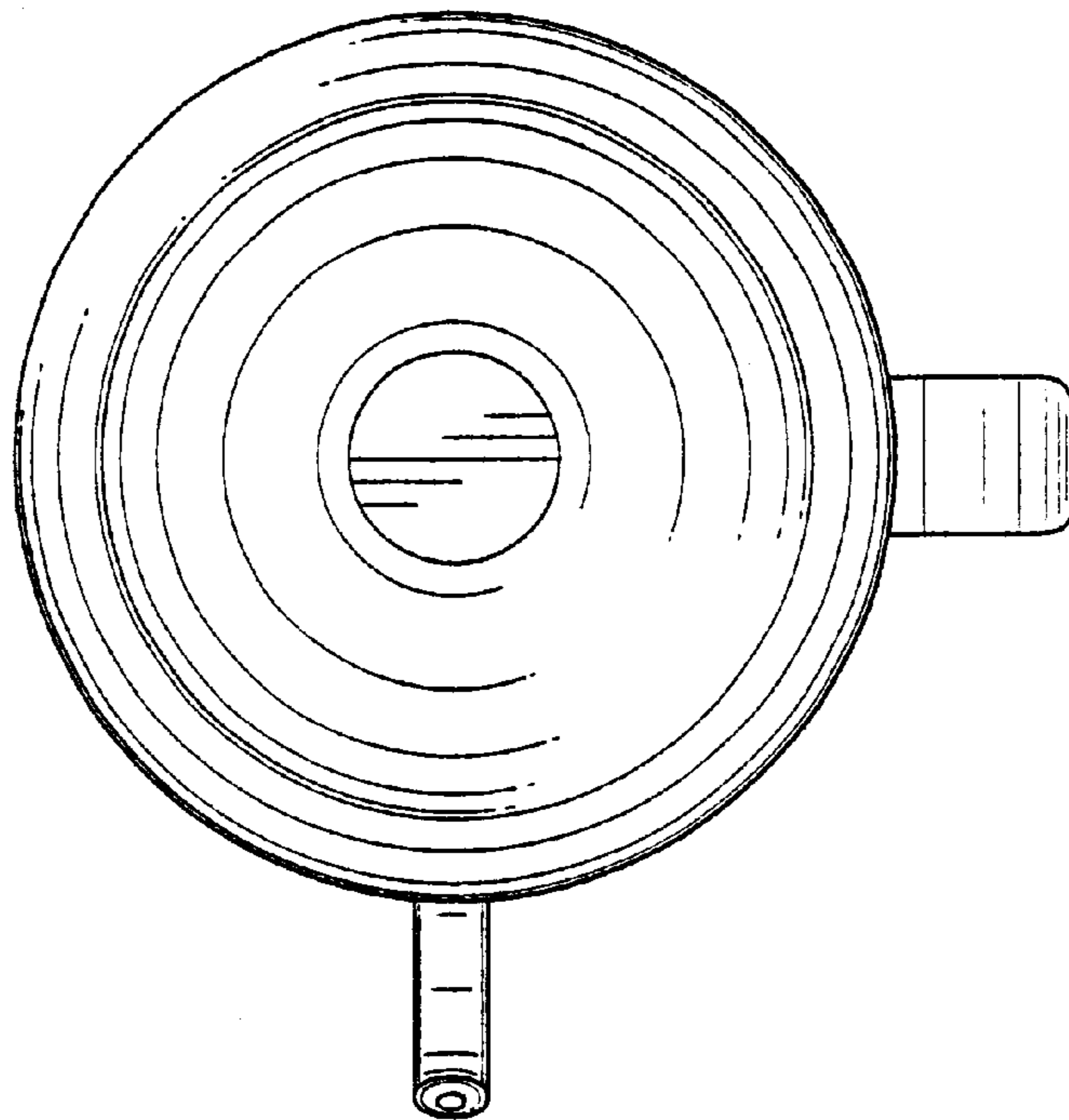


FIG. 7

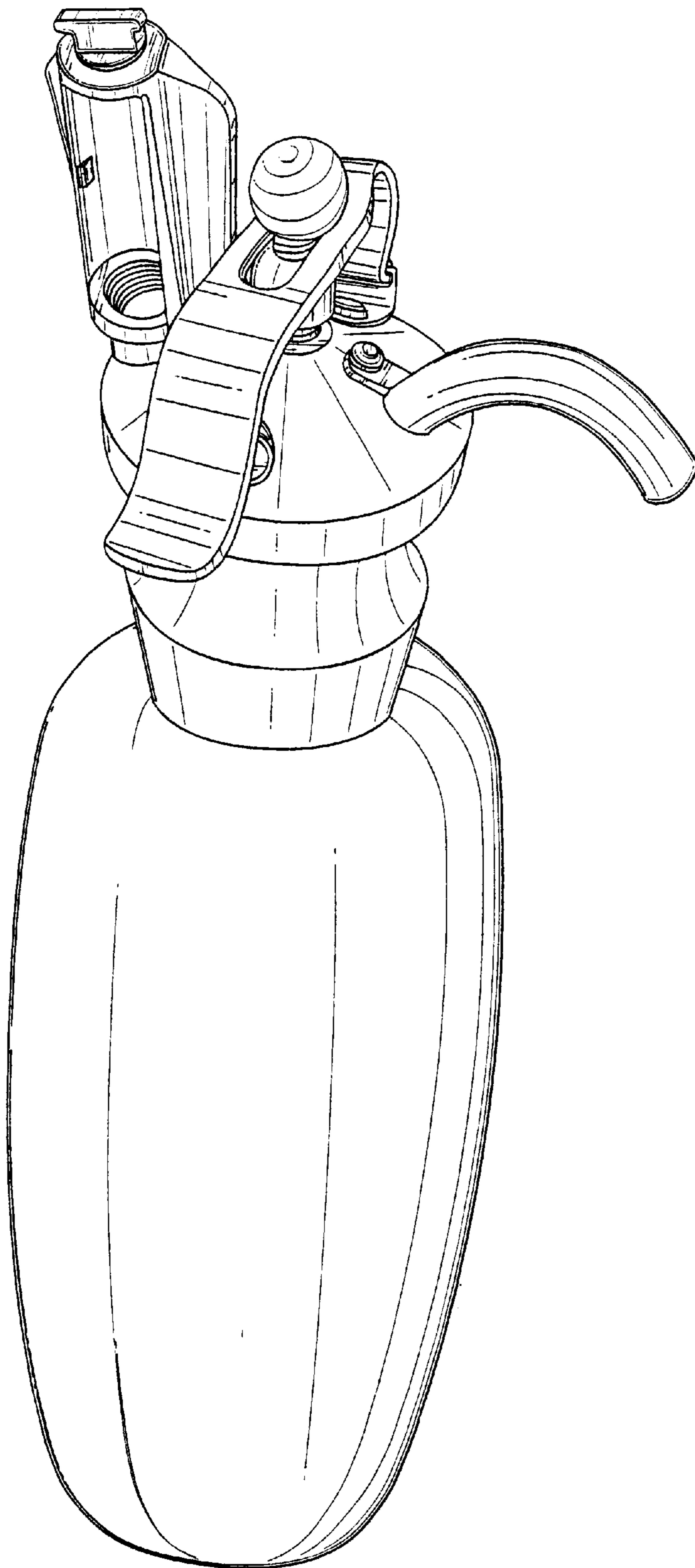


FIG. 8

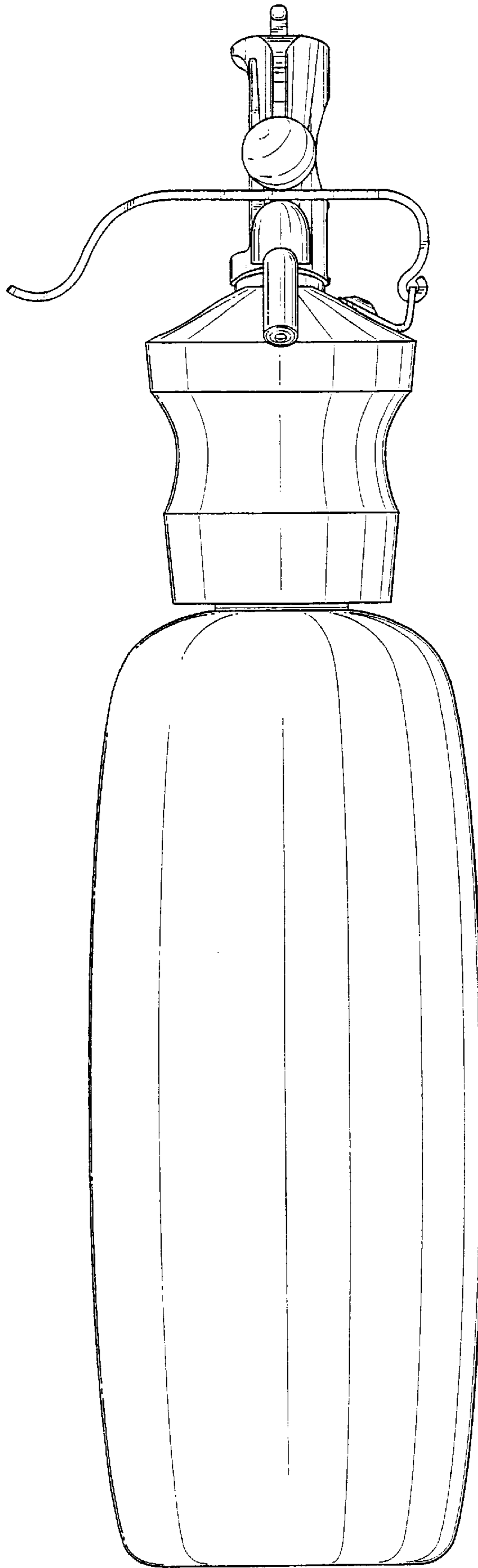


FIG. 9

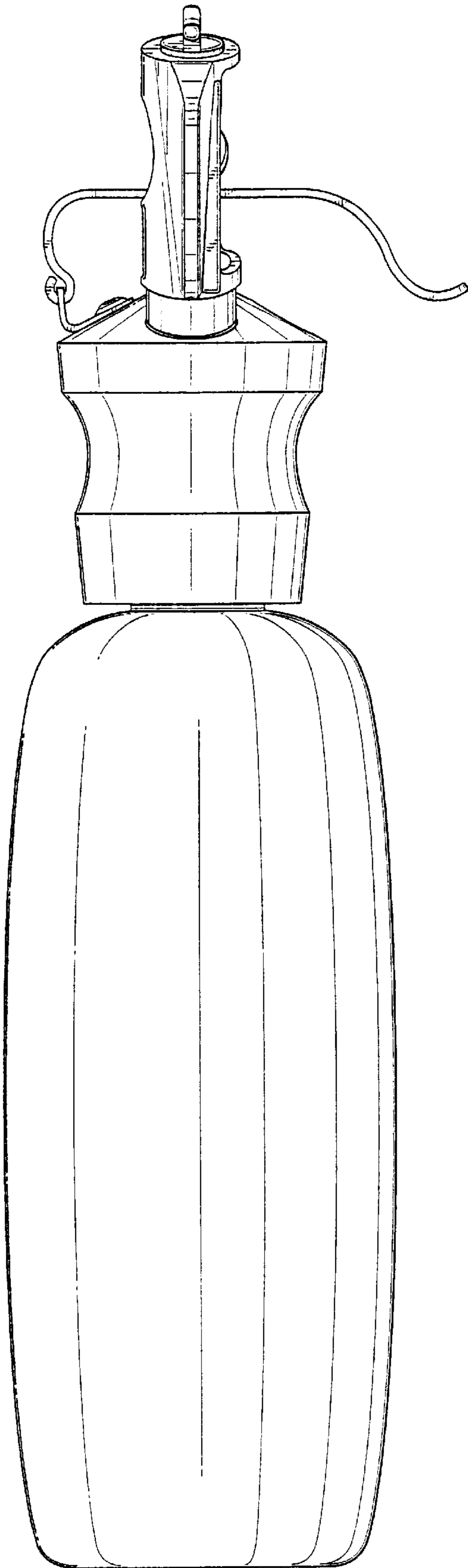


FIG. 10



FIG. 11

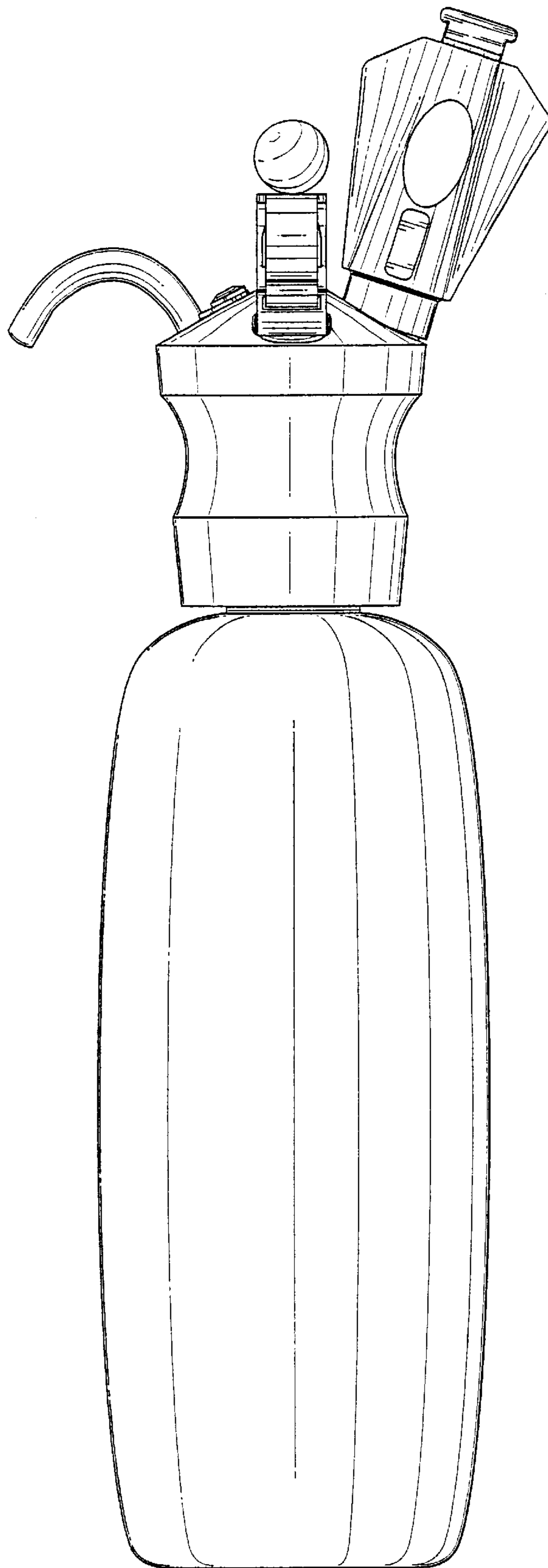


FIG. 12

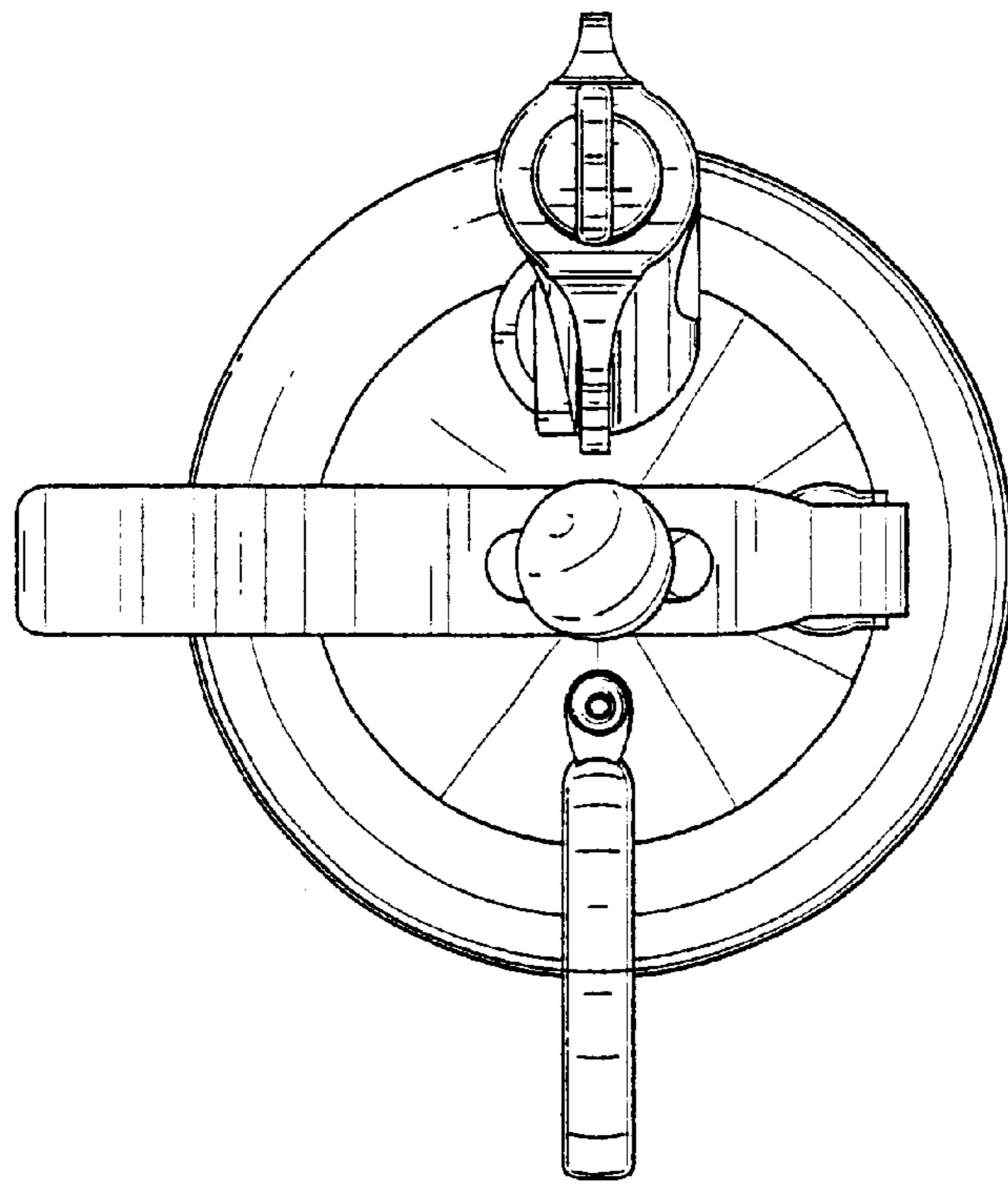


FIG. 13

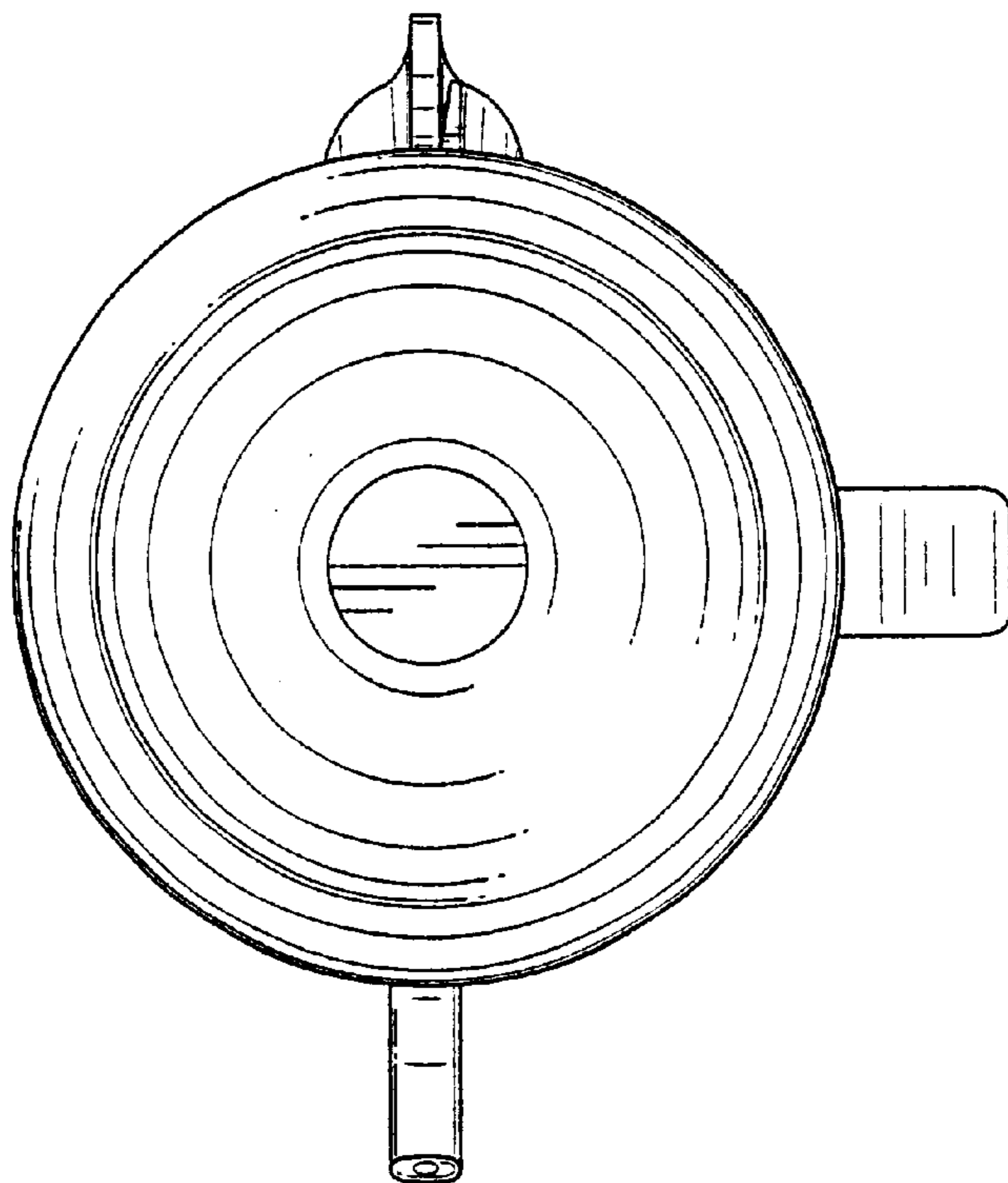


FIG. 14