



US00D472456S

(12) **United States Design Patent**
Snyder

(10) **Patent No.:** **US D472,456 S**

(45) **Date of Patent:** **** Apr. 1, 2003**

(54) **CLAMP COVER**

(75) **Inventor:** **Darryl L. Snyder**, Canton, OH (US)

(73) **Assignee:** **Snyder National Corporation**, Canton, OH (US)

(**) **Term:** **14 Years**

(21) **Appl. No.:** **29/139,561**

(22) **Filed:** **Apr. 2, 2001**

(51) **LOC (7) Cl.** **08-08**

(52) **U.S. Cl.** **D8/394; D8/353**

(58) **Field of Search** D8/349, 350, 353, D8/354, 356, 499, 377, 382; 24/458, 455; 138/DIG. 11, 155, 156, 163; 248/49, 51, 58, 60, 61, 65; D23/354, 358, 363, 386, 393; D25/119, 125; 52/782.2, 782.23, 782.24, 800.11; 174/17 R, 19, 40 CC, 60, 68.1, 68.3, 101, 66; D13/155, 156

(56) **References Cited**

U.S. PATENT DOCUMENTS

2,762,398	A	*	9/1956	Adam	138/163
3,297,001	A	*	1/1967	Locke et al.	160/123
3,656,515	A	*	4/1972	Wogerbauer et al.	D25/119
4,629,826	A	*	12/1986	Thomas	174/68.3
4,979,711	A	*	12/1990	McIlroy	248/214
D339,641	S	*	9/1993	Leufstedt et al.	D25/119

D340,110	S	*	10/1993	Reed et al.	D23/386
5,732,747	A	*	3/1998	Holliday	138/163
5,908,179	A	*	6/1999	Fimbres	248/51
D430,543	S	*	9/2000	Rohder	D13/155
D436,163	S	*	1/2001	Peterson et al.	D23/393
D443,198	S	*	6/2001	Snyder	D8/354
D457,052	S	*	5/2002	Snyder	D8/349

OTHER PUBLICATIONS

Dahlstrom Manufacturing Company 1969 p. 24.*

* cited by examiner

Primary Examiner—Louis S. Zarfaz

Assistant Examiner—Deanne Levy

(74) *Attorney, Agent, or Firm*—Sand & Sebolt

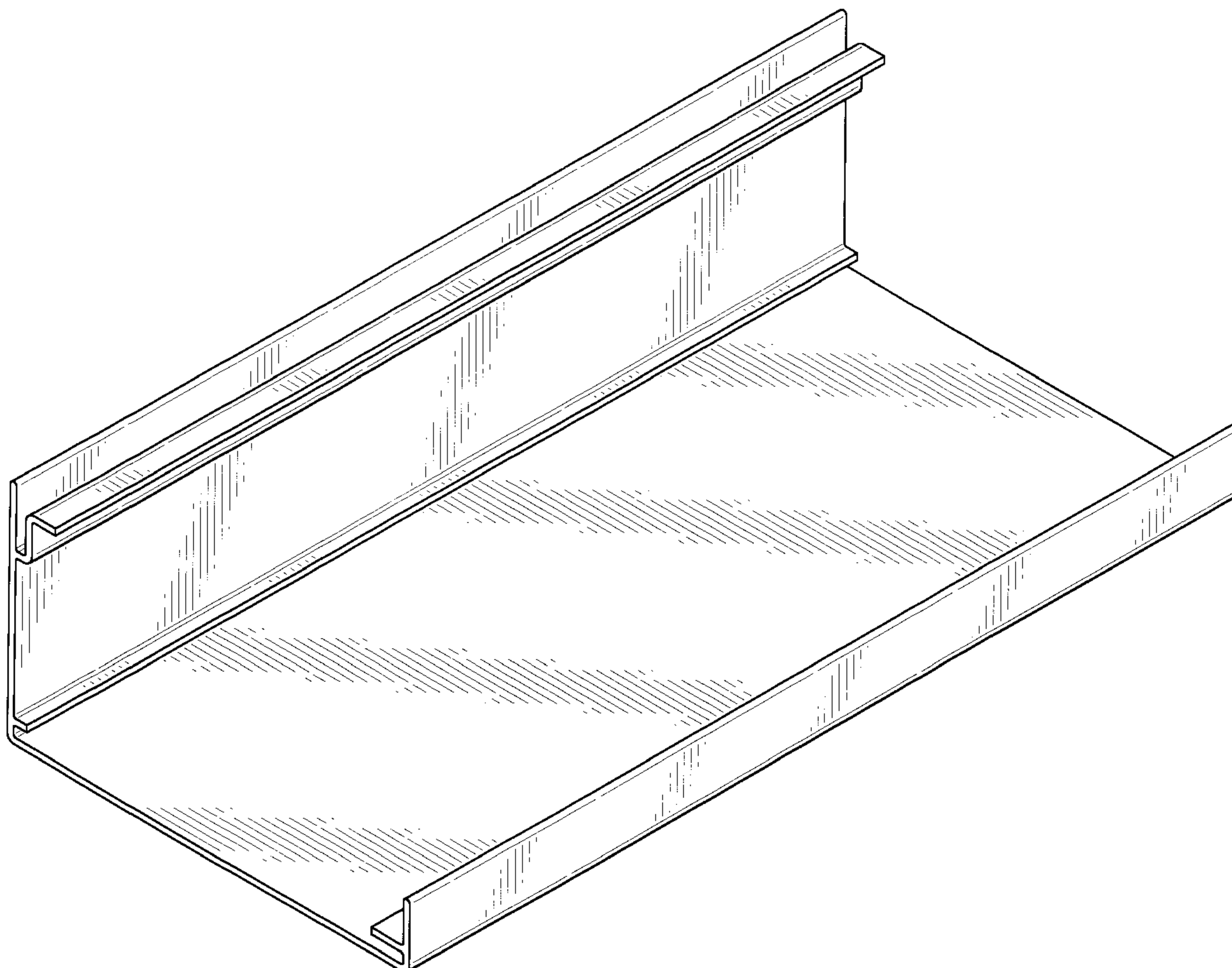
(57) **CLAIM**

The ornamental design for a clamp cover, as shown and described.

DESCRIPTION

FIG. 1 is a perspective view of the clamp cover showing my new design;
FIG. 2 is a front elevation view of FIG. 1;
FIG. 3 is a rear elevation view of FIG. 1;
FIG. 4 is a top plan view of FIG. 1;
FIG. 5 is a bottom plan view of FIG. 1;
FIG. 6 is a left side elevation view of FIG. 1; and,
FIG. 7 is a right side elevation view of FIG. 1.

1 Claim, 5 Drawing Sheets



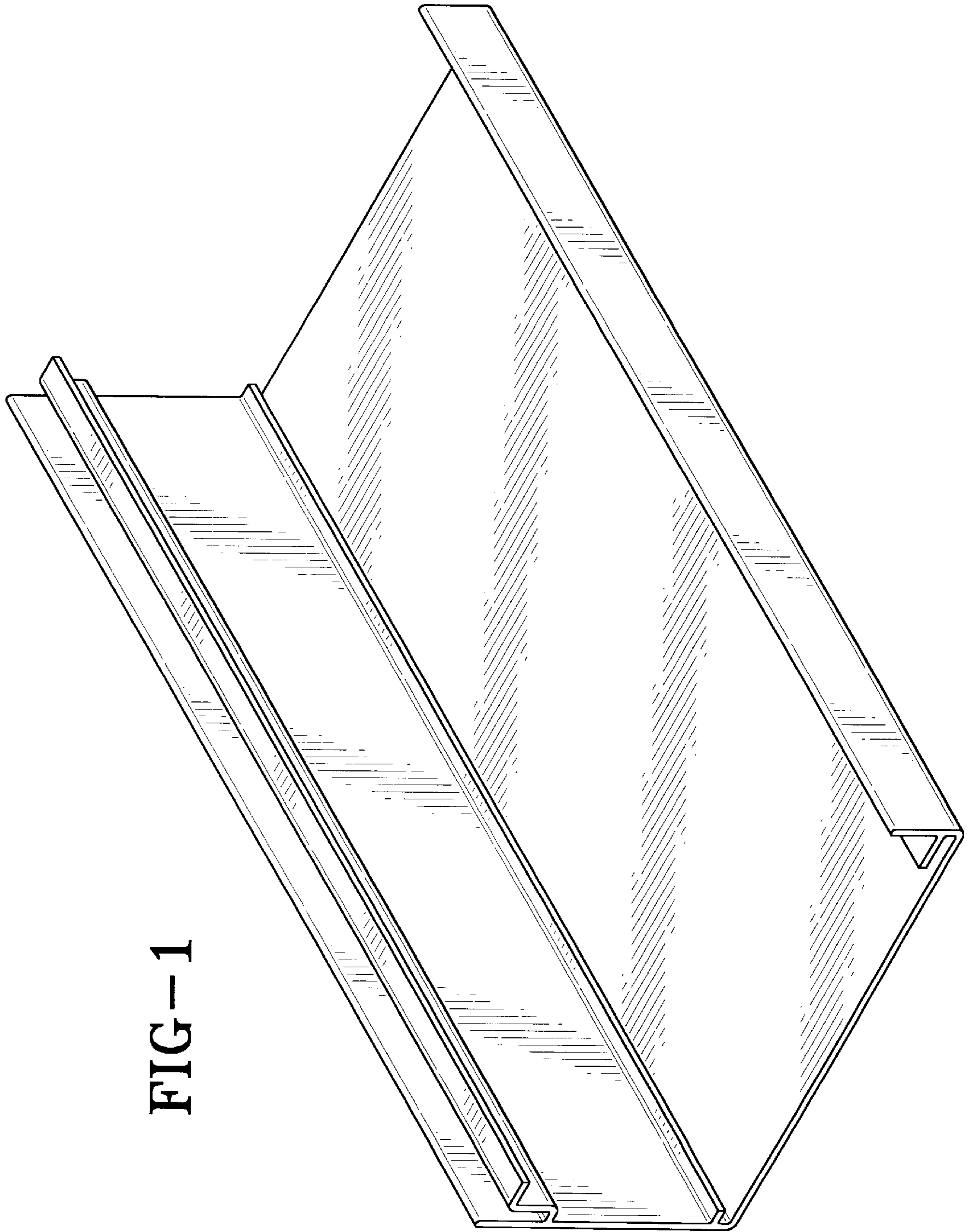


FIG-1

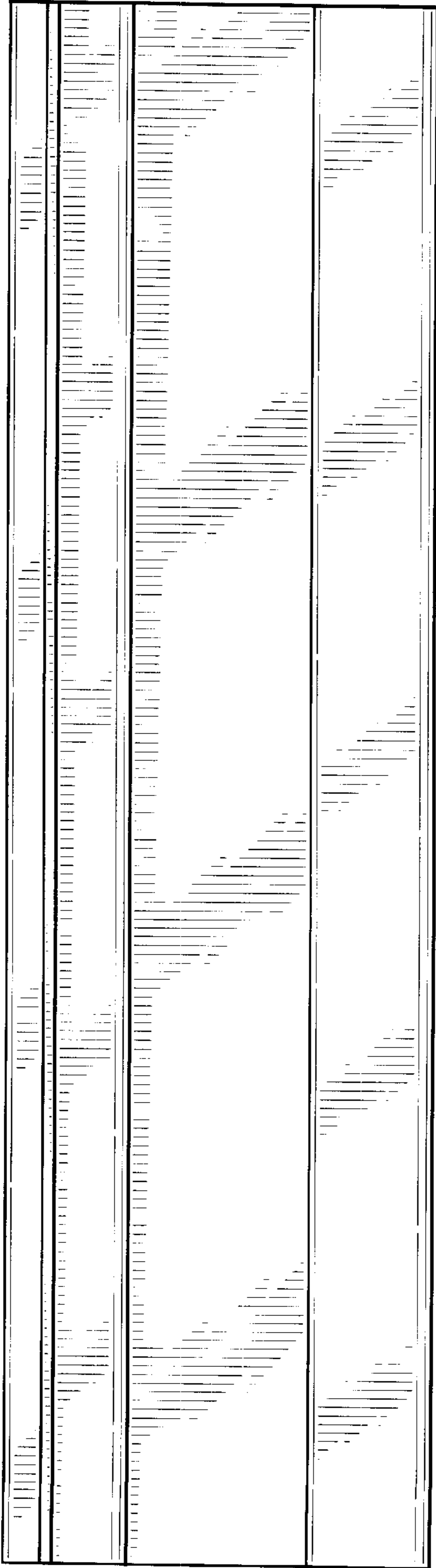


FIG-2

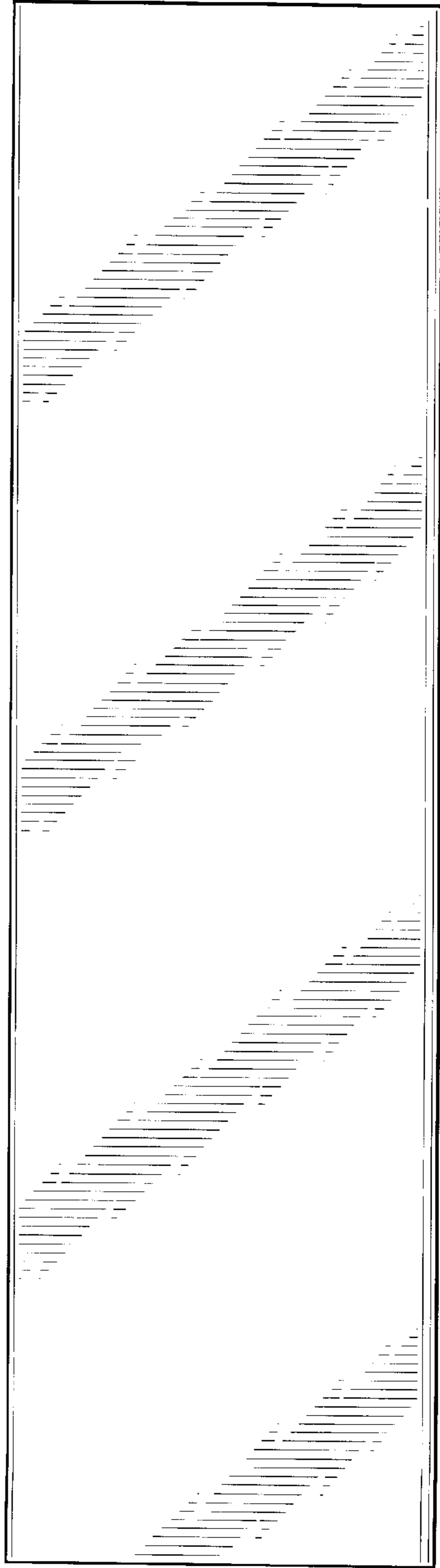


FIG-3

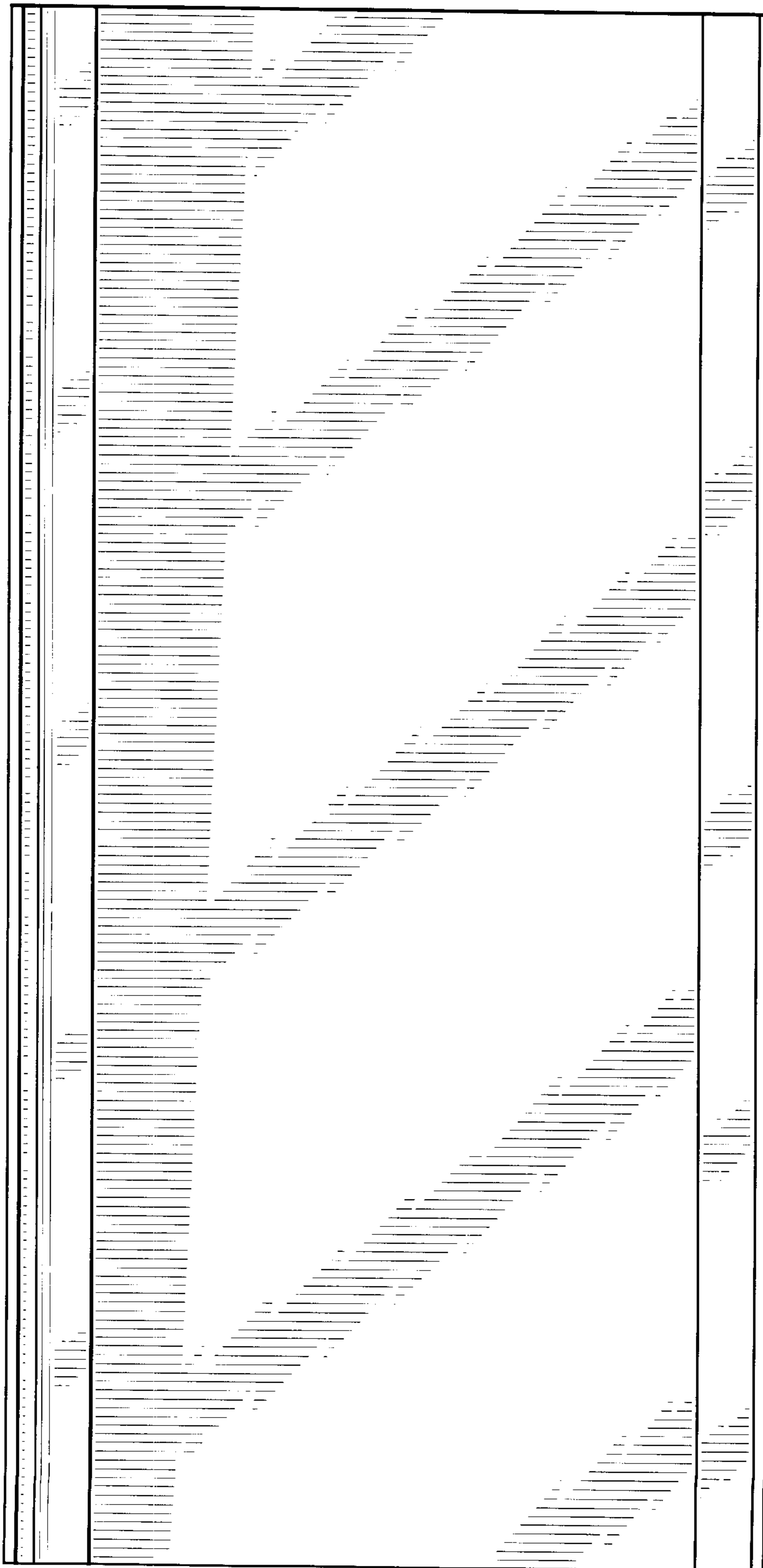


FIG-4

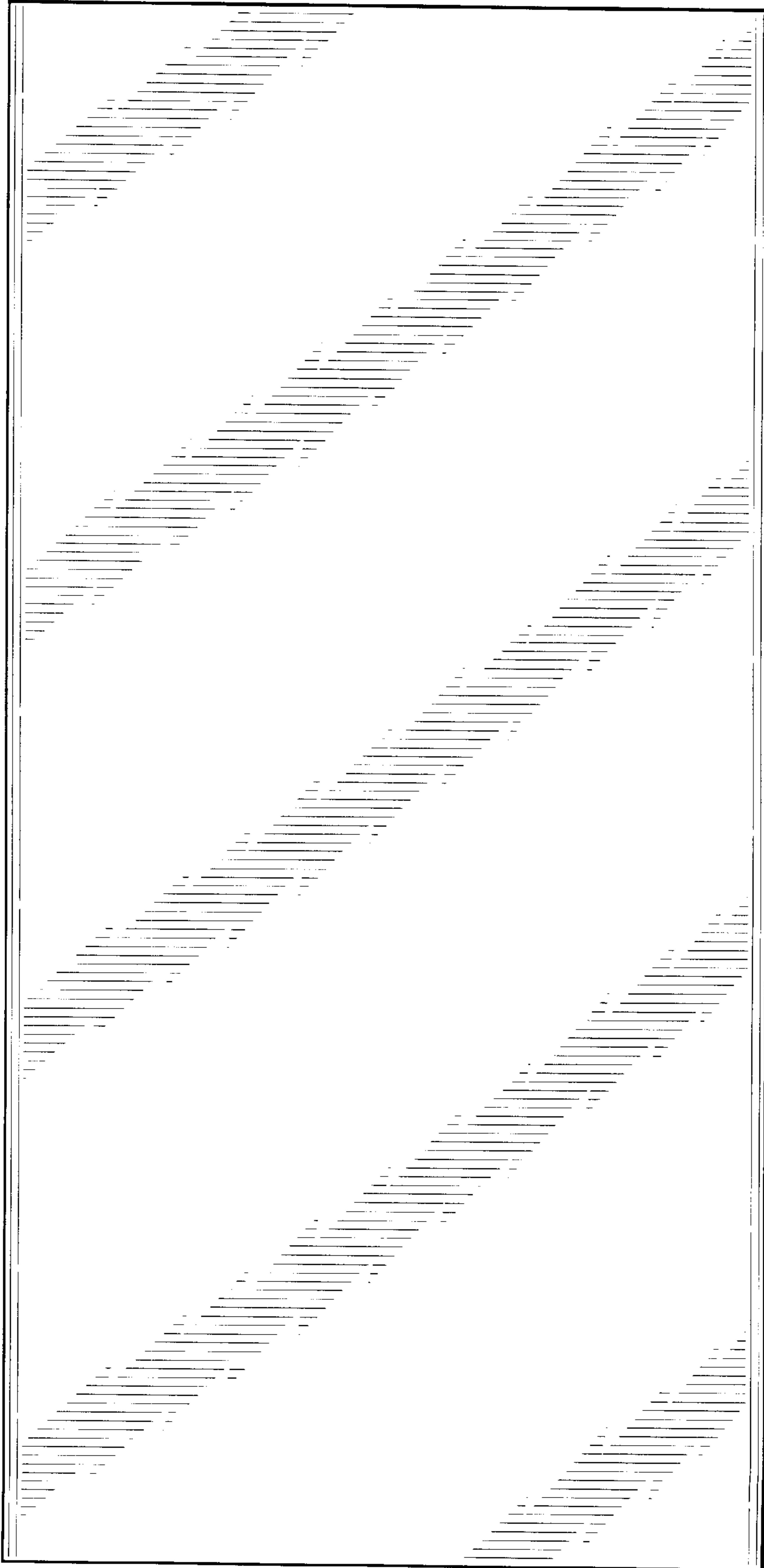


FIG-5

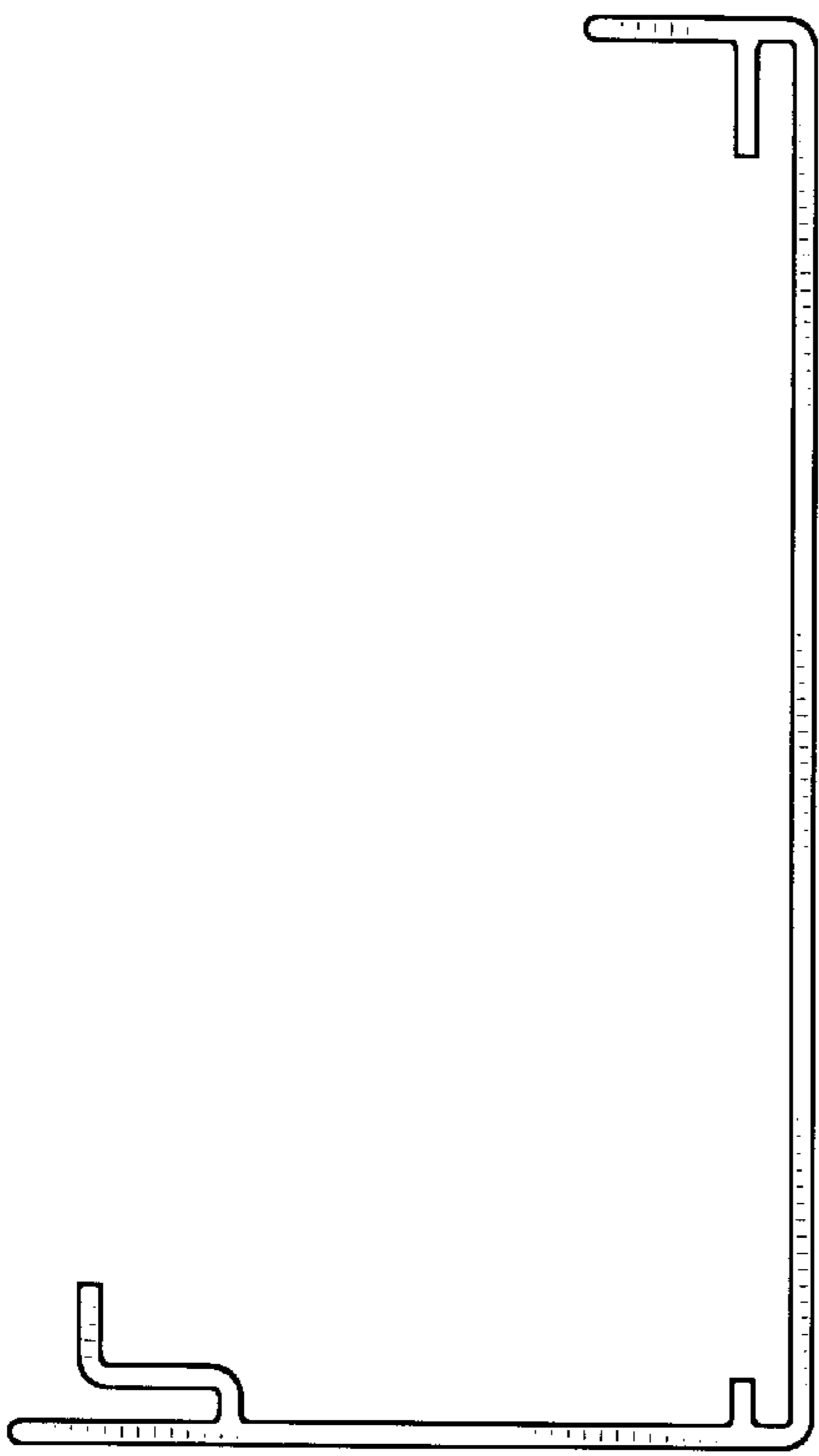


FIG-6

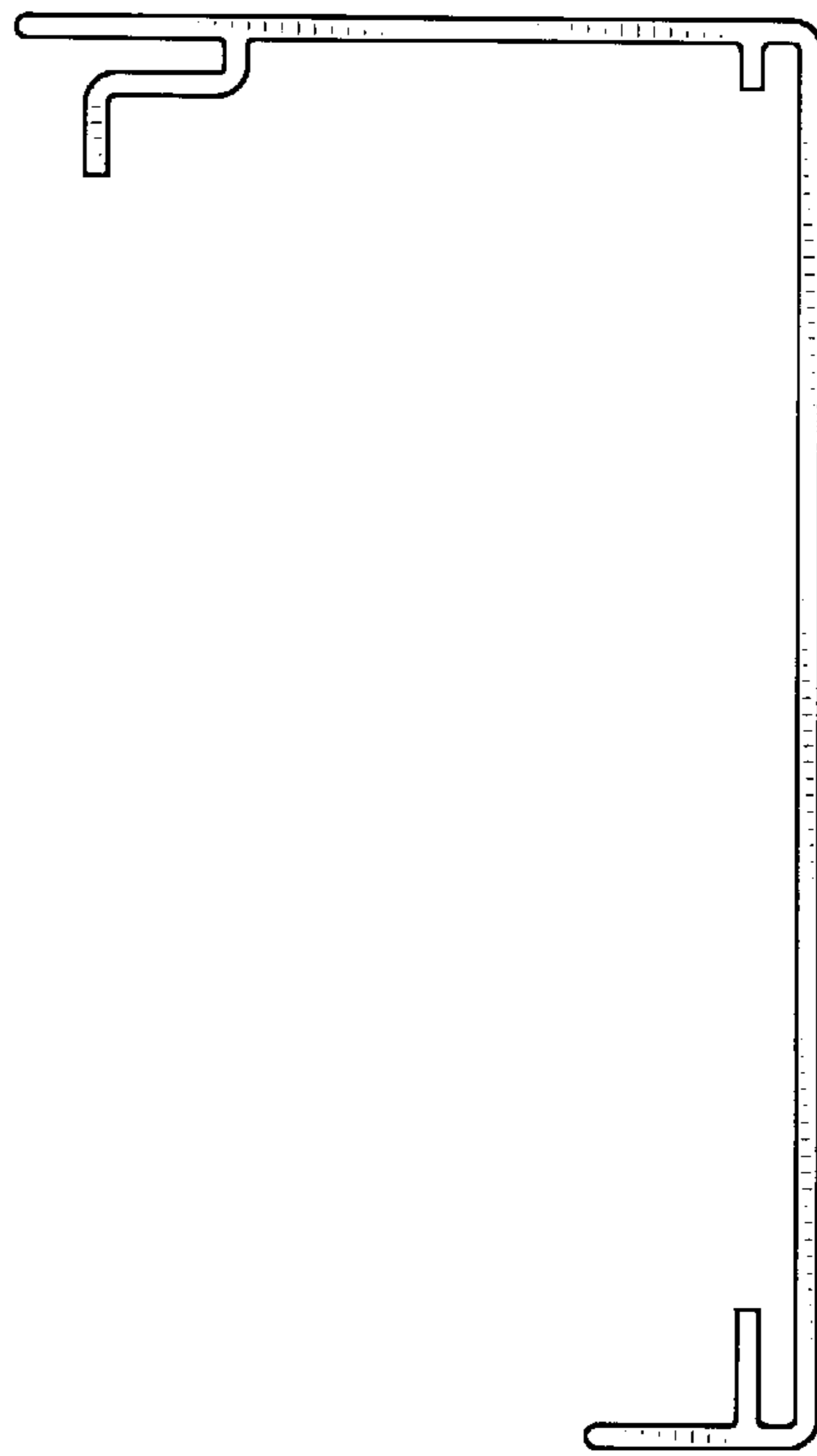


FIG-7