



US00D472455S

(12) **United States Design Patent**
Wall

(10) **Patent No.:** **US D472,455 S**

(45) **Date of Patent:** **** Apr. 1, 2003**

(54) **CONNECTION ELEMENT FOR SHEET PILES**

(76) **Inventor:** **Georg Wall**, Hans-Graessel-Weg 20,
D-81375 Munich (DE)

(**) **Term:** **14 Years**

(21) **Appl. No.:** **29/148,884**

(22) **Filed:** **Sep. 28, 2001**

(30) **Foreign Application Priority Data**

Mar. 30, 2001 (DE) 4 01 03 341

(51) **LOC (7) Cl.** **08-08**

(52) **U.S. Cl.** **D8/382; D25/119**

(58) **Field of Search** D8/382, 394, 395,
D8/499; D25/119; 403/DIG. 10, 357, 363,
381; 405/70, 278, 279; 52/579; 248/74.1;
24/67.9, 336, 455, 457, 459, 485, 488,
531, 545, 546, 547, 555, 563, 716, 907,
DIG. 9, DIG. 28

(56) **References Cited**

U.S. PATENT DOCUMENTS

1,098,077 A * 5/1914 Annison 29/897.3

1,183,403 A * 5/1916 Quimby, Jr. 405/278
2,642,018 A * 6/1953 Weeber 16/365
3,688,508 A * 9/1972 Taylor 405/278
D242,035 S * 10/1976 Drawsky et al. D25/119
4,269,435 A * 5/1981 Jarvenkyla et al. 211/70.5
4,707,892 A * 11/1987 Nelson 24/336
5,292,208 A * 3/1994 Berger 405/274
6,092,346 A * 7/2000 Even et al. 403/363
6,282,762 B1 * 9/2001 Wall 24/346
6,428,244 B1 * 8/2002 Wall 403/348

* cited by examiner

Primary Examiner—Alan P. Douglas

Assistant Examiner—Clare E. Heflin

(74) *Attorney, Agent, or Firm*—Milde & Hoffberg, LLP

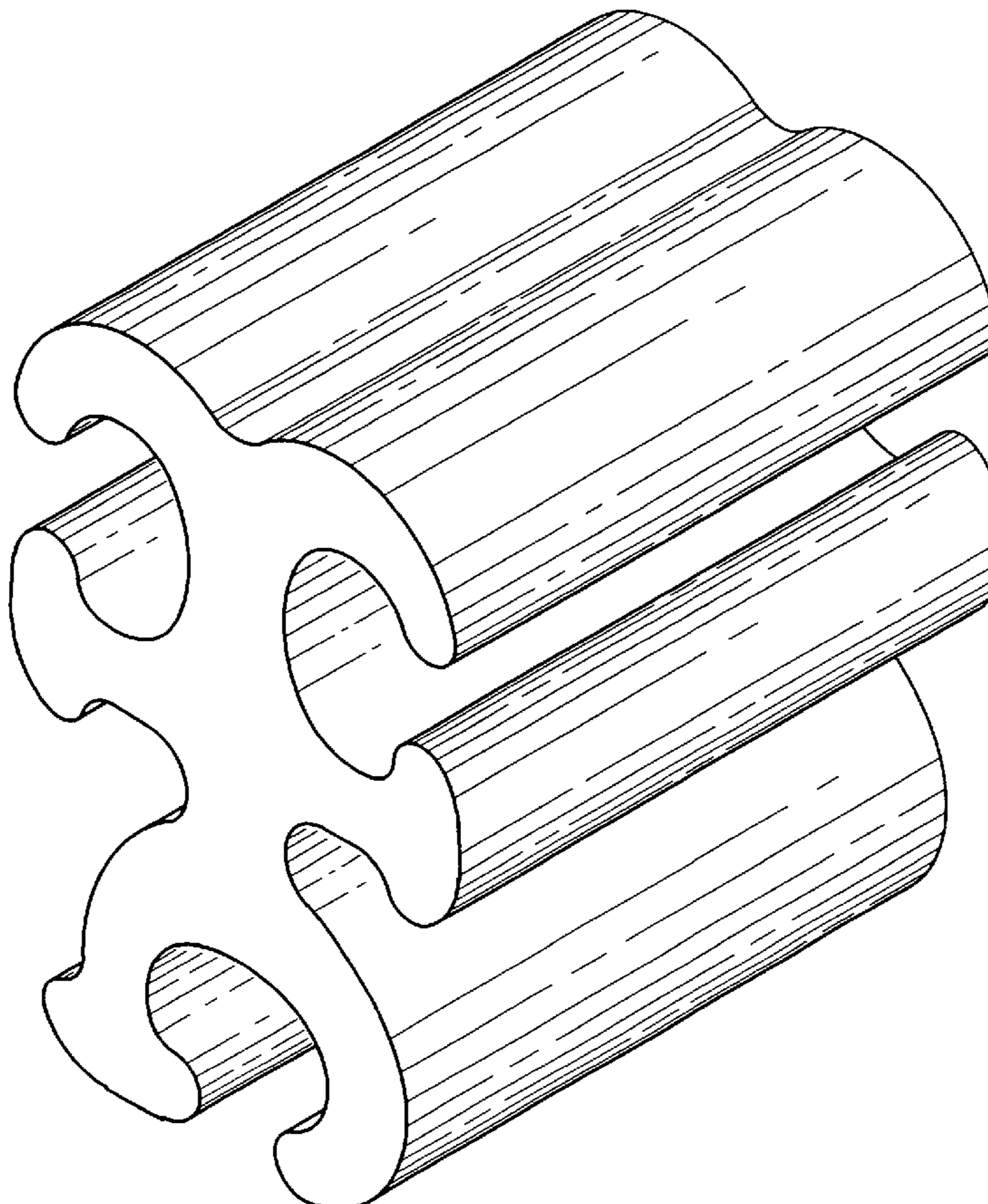
(57) **CLAIM**

The ornamental design for a connection element for sheet piles, as shown and described.

DESCRIPTION

FIG. 1 is a perspective view of the connection element for sheet piles according to my design; and, FIG. 2 is an end view of the connection element for sheet piles according to my design.

1 Claim, 2 Drawing Sheets



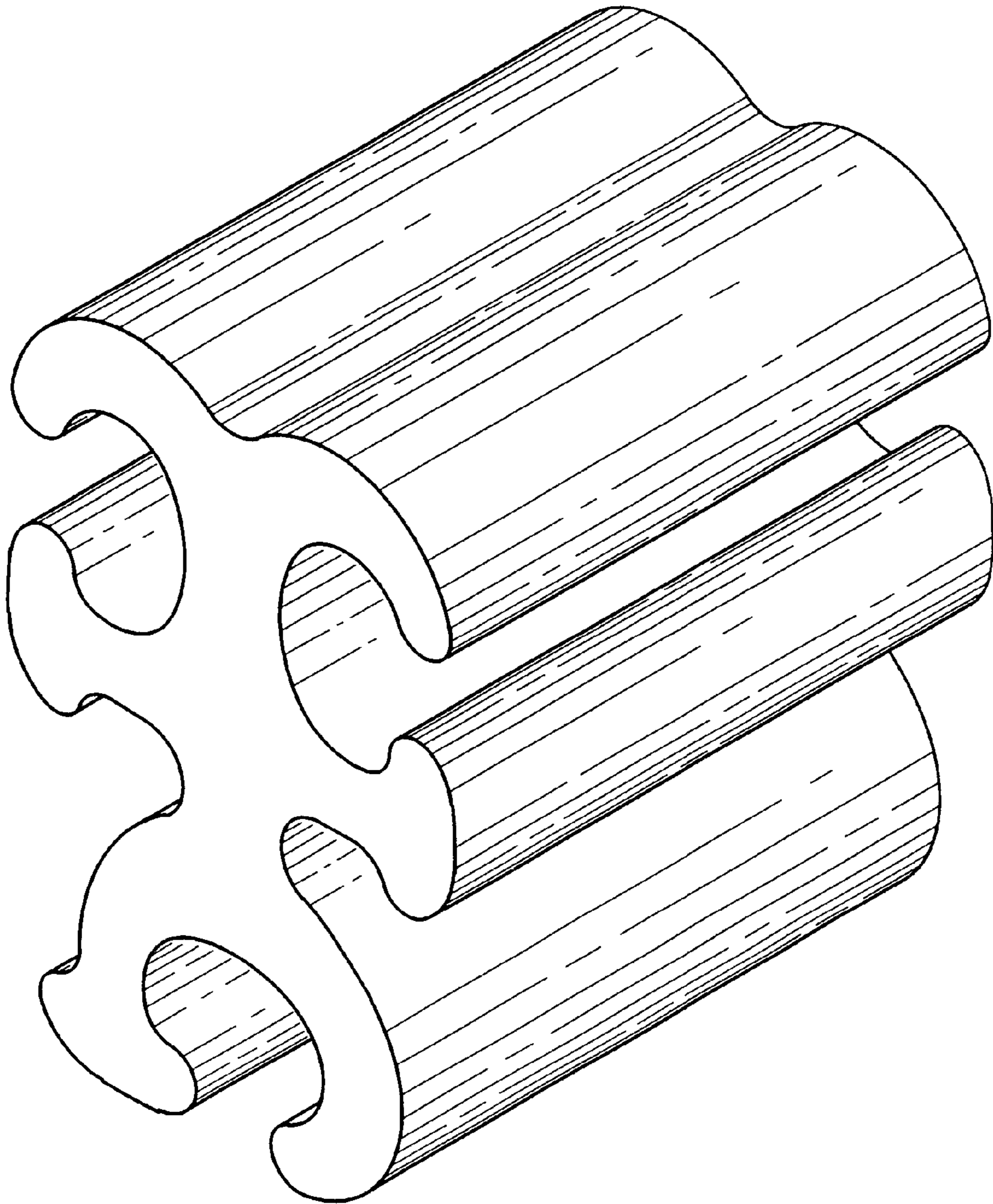


FIG.1

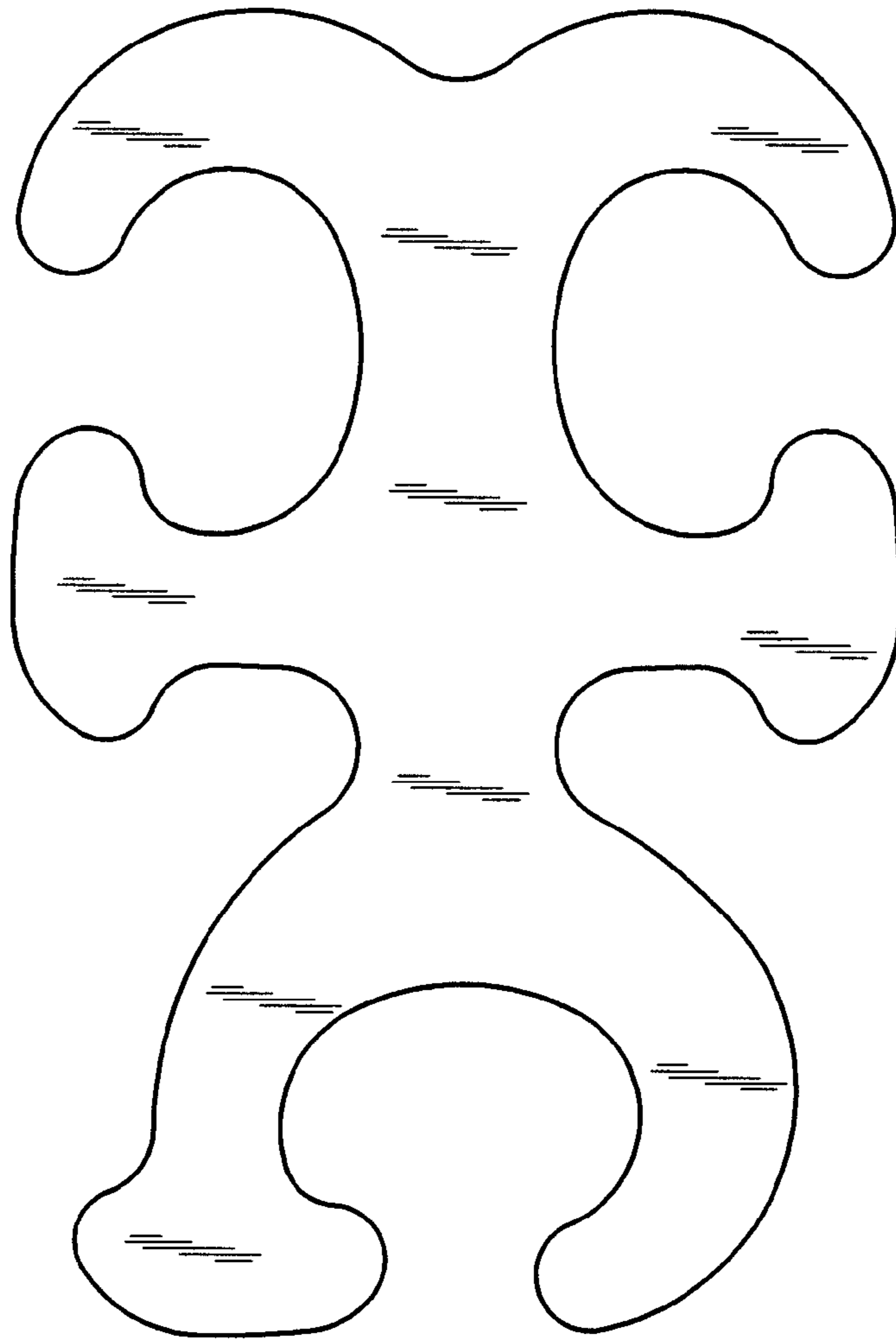


FIG.2