



US00D472449S

(12) **United States Design Patent**
Weinerman et al.

(10) **Patent No.:** **US D472,449 S**

(45) **Date of Patent:** **** Apr. 1, 2003**

(54) **PORTIONS OF A CLAMP BRACKET ASSEMBLY FOR USE WITH PUSH BUTTON LATCH AND LOCK OPERATING ASSEMBLIES**

1,556,864 A 7/1925 Mendenhall 292/33
1,571,453 A 2/1926 Maxon 292/170

(List continued on next page.)

(75) Inventors: **Lee S. Weinerman**, Medina, OH (US);
Scott A. Arthurs, Brunswick, OH (US)

Primary Examiner—Brian N. Vinson
(74) *Attorney, Agent, or Firm*—David A. Burge

(73) Assignee: **The Eastern Company**, Cleveland, OH (US)

(57) **CLAIM**

(**) Term: **14 Years**

We claim the ornamental design for portions of a clamp bracket assembly for use with push button latch and lock operating assemblies, as shown and described.

(21) Appl. No.: **29/167,744**

(22) Filed: **Sep. 19, 2002**

DESCRIPTION

Related U.S. Application Data

(60) Division of application No. 29/159,880, filed on Apr. 30, 2002, which is a division of application No. 29/142,044, filed on May 17, 2001, now Pat. No. Des. 464,555, which is a continuation-in-part of application No. 29/131,819, filed on Oct. 27, 2000, now Pat. No. Des. 447,042, which is a continuation-in-part of application No. 29/113,063, filed on Oct. 28, 1999, now Pat. No. Des. 445,015.

Reference is made to utility application Ser. No. 09/698,416 filed Oct. 27, 2000 by Lee S. Weinerman et al entitled PUSH BUTTON OPERATORS FOR LATCHES AND LOCKS, AND LOCKING SYSTEMS EMPLOYING LOCKABLE PUSH BUTTON OPERATORS, issued Sep. 24, 2002 as Patent No. 6,454,320 which discloses a lock system that may employ a clamp bracket assembly with J-shaped linkage arms of the type disclosed herein.

(51) **LOC (7) Cl.** **08-07**

(52) **U.S. Cl.** **D8/330**

(58) **Field of Search** D8/330, 331, 336,
D8/343; 292/83, 208–210, 216, 300, 305,
56, 63

FIG. 1 is a perspective view showing principally top and rear features of portions of a clamp bracket assembly for use with push button latch and lock operating assemblies embodying our new design;

FIG. 2 is a perspective view showing principally bottom and front features thereof;

FIG. 3 is a front view thereof;

FIG. 4 is a rear view thereof;

FIG. 5 is a right side view thereof;

FIG. 6 is a left side view thereof;

FIG. 7 is a top view thereof;

FIG. 8 is a bottom view thereof;

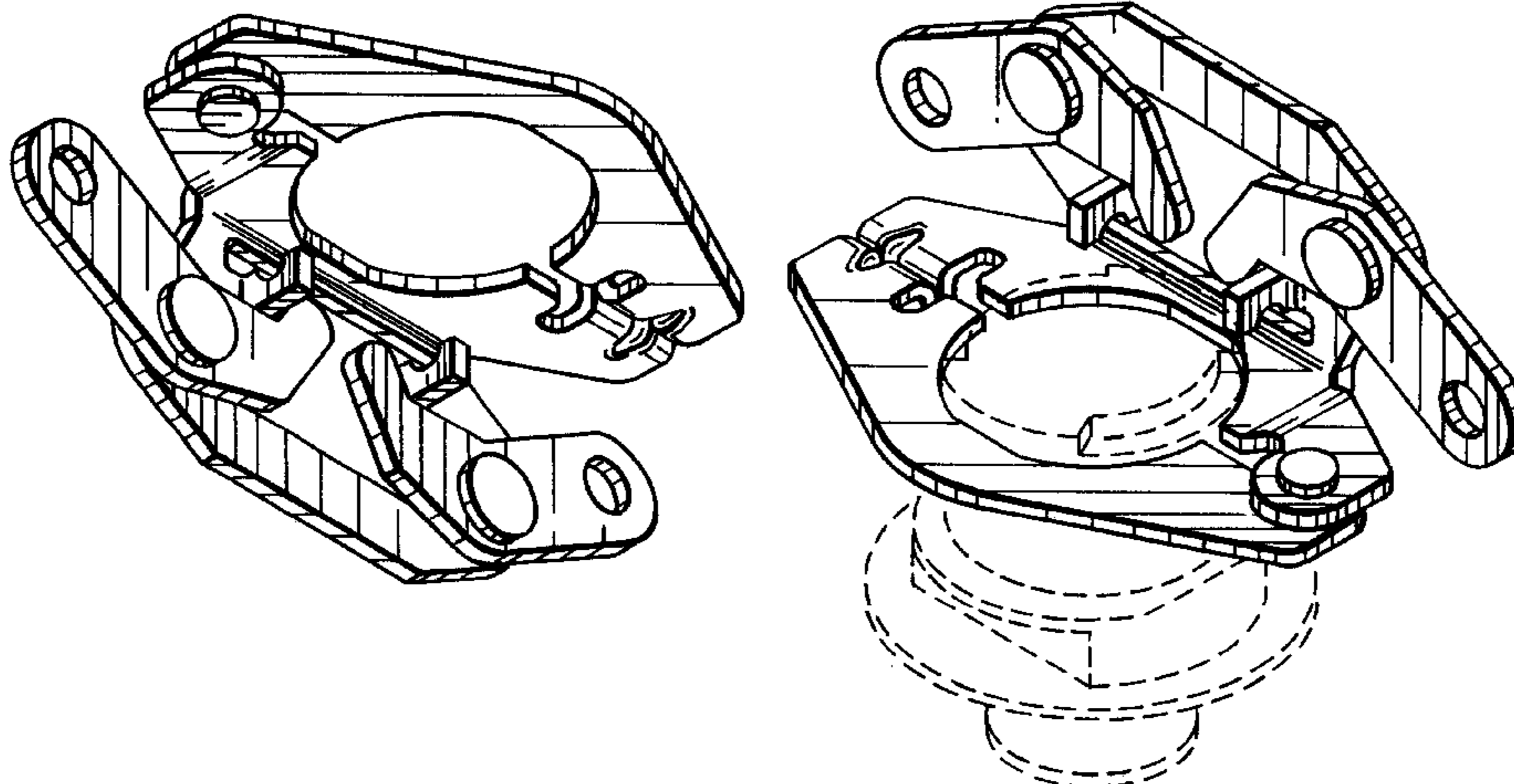
FIG. 9 is a perspective view showing principally bottom and front portions thereof with the pivotally movable levers thereof at one end of their ranges of pivotal movement; and, FIG. 10 is a perspective view similar to FIG. 9 but with the pivotally movable levers thereof at the other ends of their ranges of pivotal movement, with broken lines disclosing the position of a push button latch and lock operating assembly clamped by the clamp bracket assembly, with this broken line disclosure being provided for illustrative purposes only and forming no part of the design.

(56) **References Cited**

U.S. PATENT DOCUMENTS

113,070 A	3/1871	Loeffelholz et al.	292/34
417,589 A	12/1889	Rose	292/40
480,148 A	8/1892	Theby	292/36
491,824 A	2/1893	Walker	200/61.64
767,567 A	8/1904	Keil	292/127
876,300 A	1/1908	Couret	292/135
925,455 A	6/1909	Campbell	70/81
1,018,077 A	2/1912	Petterson	70/150
1,058,346 A	4/1913	Berstler	292/21
1,174,652 A	3/1916	Banks	292/36
1,368,141 A	2/1921	Hagstrom	292/34
1,531,605 A	3/1925	Gaynor	200/535

1 Claim, 4 Drawing Sheets



US D472,449 S

Page 2

U.S. PATENT DOCUMENTS		
1,672,901 A	6/1928	North 292/227
1,908,980 A	5/1933	Heyel 70/120
1,965,939 A	7/1934	Jacobi 70/29
2,059,479 A	11/1936	North 292/127
2,322,040 A	6/1943	Maruri 70/145
2,683,978 A	7/1954	Jacobi 70/360
2,705,884 A	4/1955	Craig 70/264
2,728,214 A	12/1955	Craig 70/149
2,755,519 A	7/1956	Xander 20/52
2,772,908 A	12/1956	Craig 292/280
2,911,247 A	11/1959	Corbin 292/48
2,987,907 A	6/1961	Cockburn et al. 70/135
3,054,634 A	9/1962	Westerdale 292/336.3
3,545,799 A	12/1970	Gertsfeld 292/34
3,602,017 A	8/1971	Bauer 70/78
3,834,780 A	9/1974	McClellan et al. 312/219
3,964,280 A	6/1976	Kelton 70/84
4,059,296 A	11/1977	Panourgias 285/312
4,488,669 A	12/1984	Waters 224/273
4,601,499 A	7/1986	Kim 292/36
4,892,338 A	1/1990	Weinerman et al. 292/35
4,978,152 A	12/1990	Bisbing 292/169
D313,337 S	1/1991	Haskell D8/336
5,042,853 A	8/1991	Gleason et al. 292/126
D324,635 S	3/1992	Weinerman et al. D8/331
5,308,126 A	5/1994	Weger, Jr. et al. 292/53
5,346,266 A	9/1994	Bisbing 292/64
5,439,260 A	8/1995	Weinerman et al. 292/48
5,526,660 A	6/1996	Bennett et al. 70/208
D371,300 S	7/1996	Mordick D8/343
5,564,295 A	10/1996	Weinerman et al. 70/208
5,586,458 A	12/1996	Weinerman et al. 70/208
5,595,076 A	1/1997	Weinerman et al. 70/208
5,611,224 A	3/1997	Weinerman et al. 70/208
5,816,630 A	10/1998	Bennett et al. 292/341.17
5,884,948 A	3/1999	Weinerman et al. 292/216
5,984,383 A	11/1999	Parikh et al. 292/121
6,012,747 A	1/2000	Takamura et al. 292/216
D429,141 S	8/2000	Antonucci et al. D8/331
6,113,160 A	9/2000	Johansson et al. 292/169
D432,389 S	10/2000	Johansson et al. D8/331
6,231,091 B1	5/2001	Gleason et al. 292/34
D447,042 S	8/2001	Weinerman et al. D8/330
6,349,577 B1	2/2002	Hansen et al. 70/159
D463,247 S	9/2002	Weinerman et al. D8/330
6,454,320 B1	9/2002	Weinerman et al. 292/56
D464,555 S	10/2002	Weinerman et al. D8/330

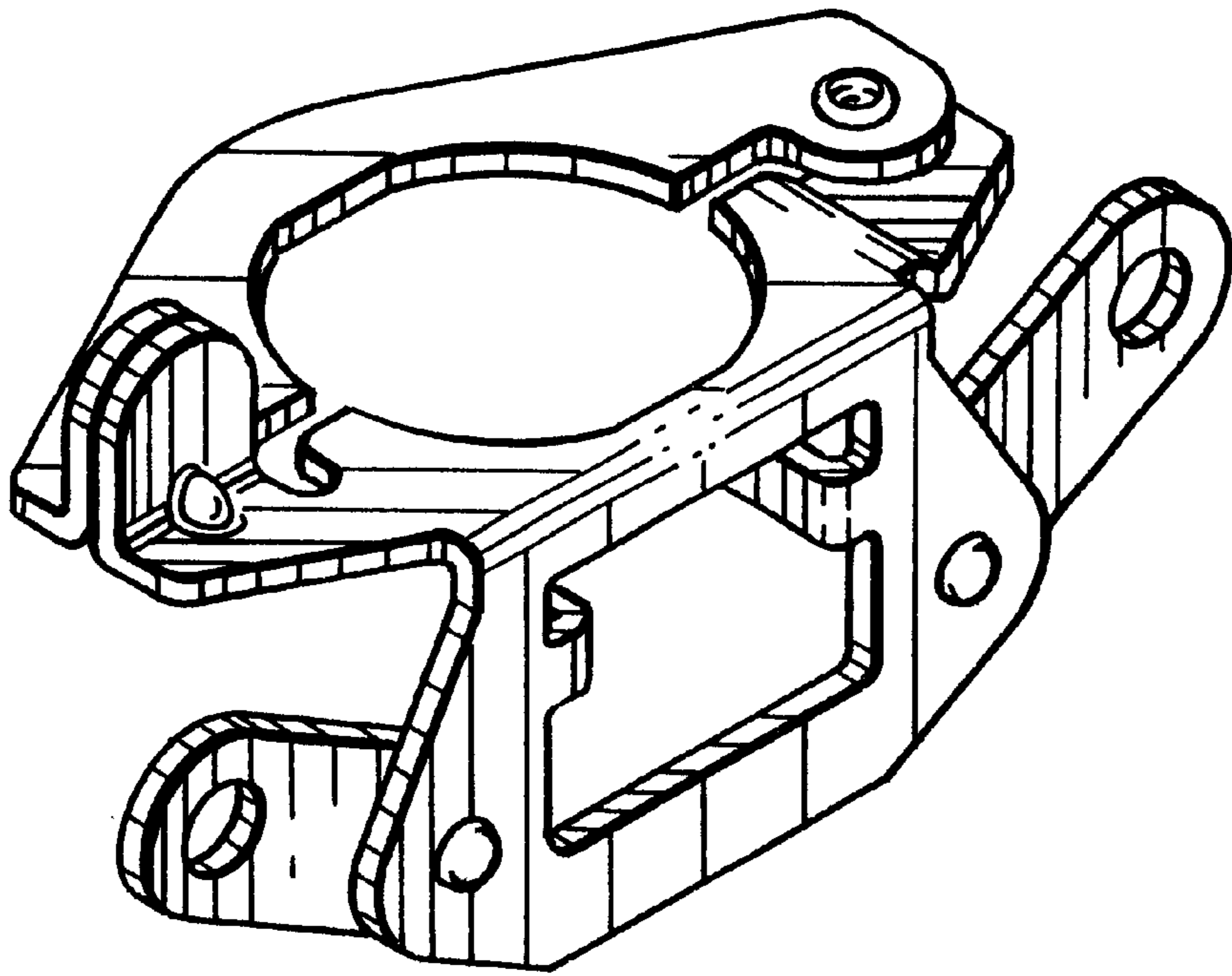


FIG. 1

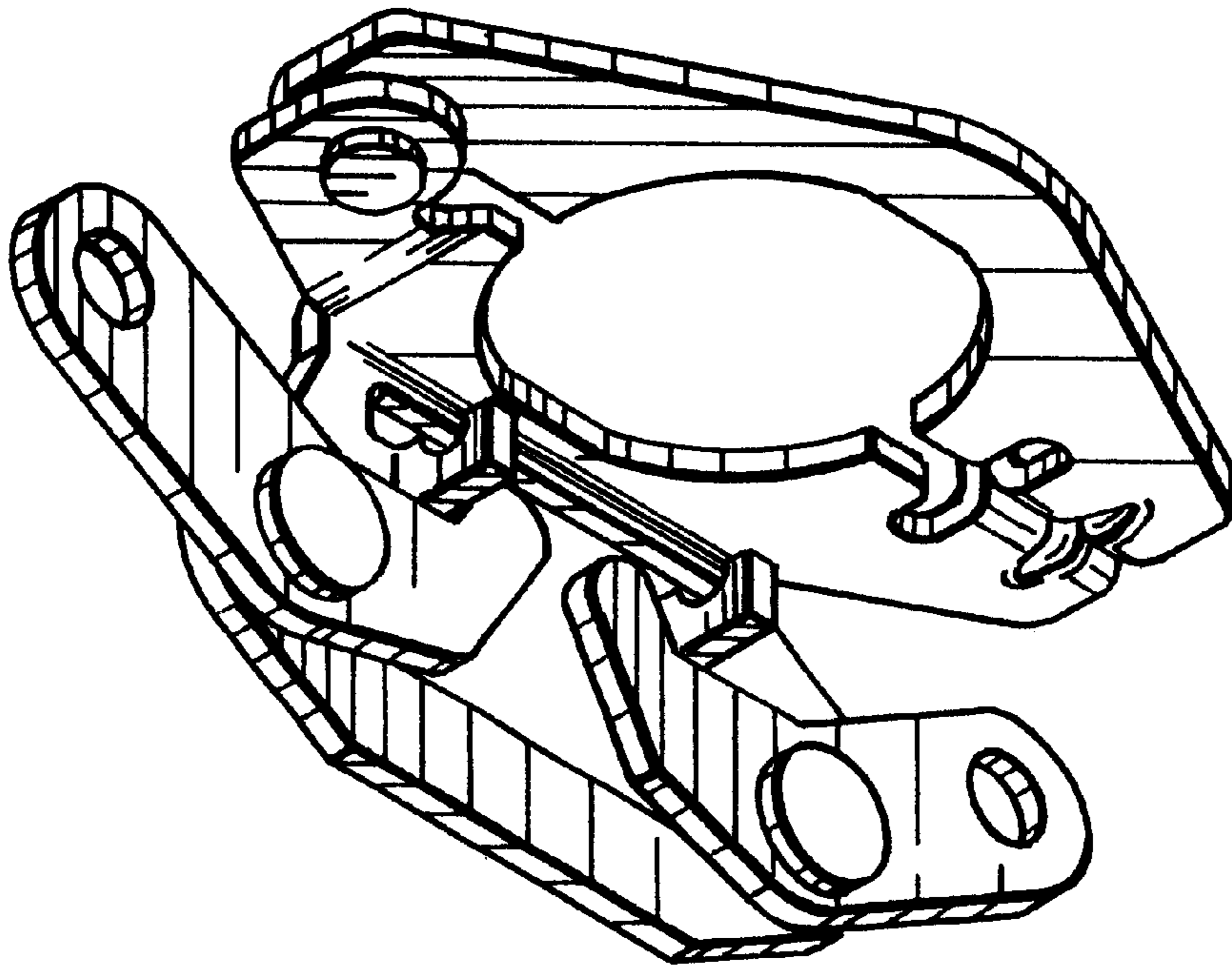


FIG. 2

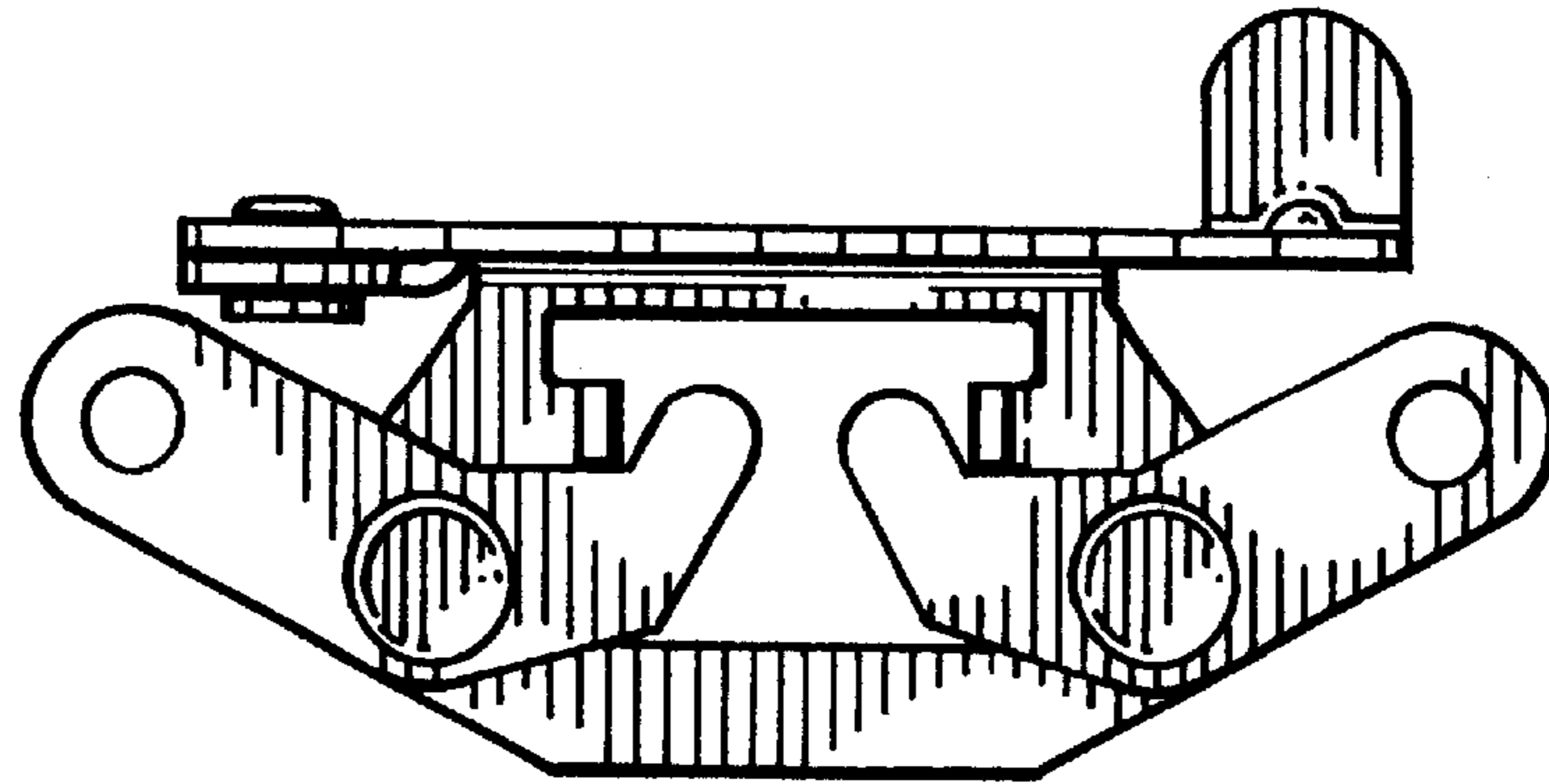


FIG. 3

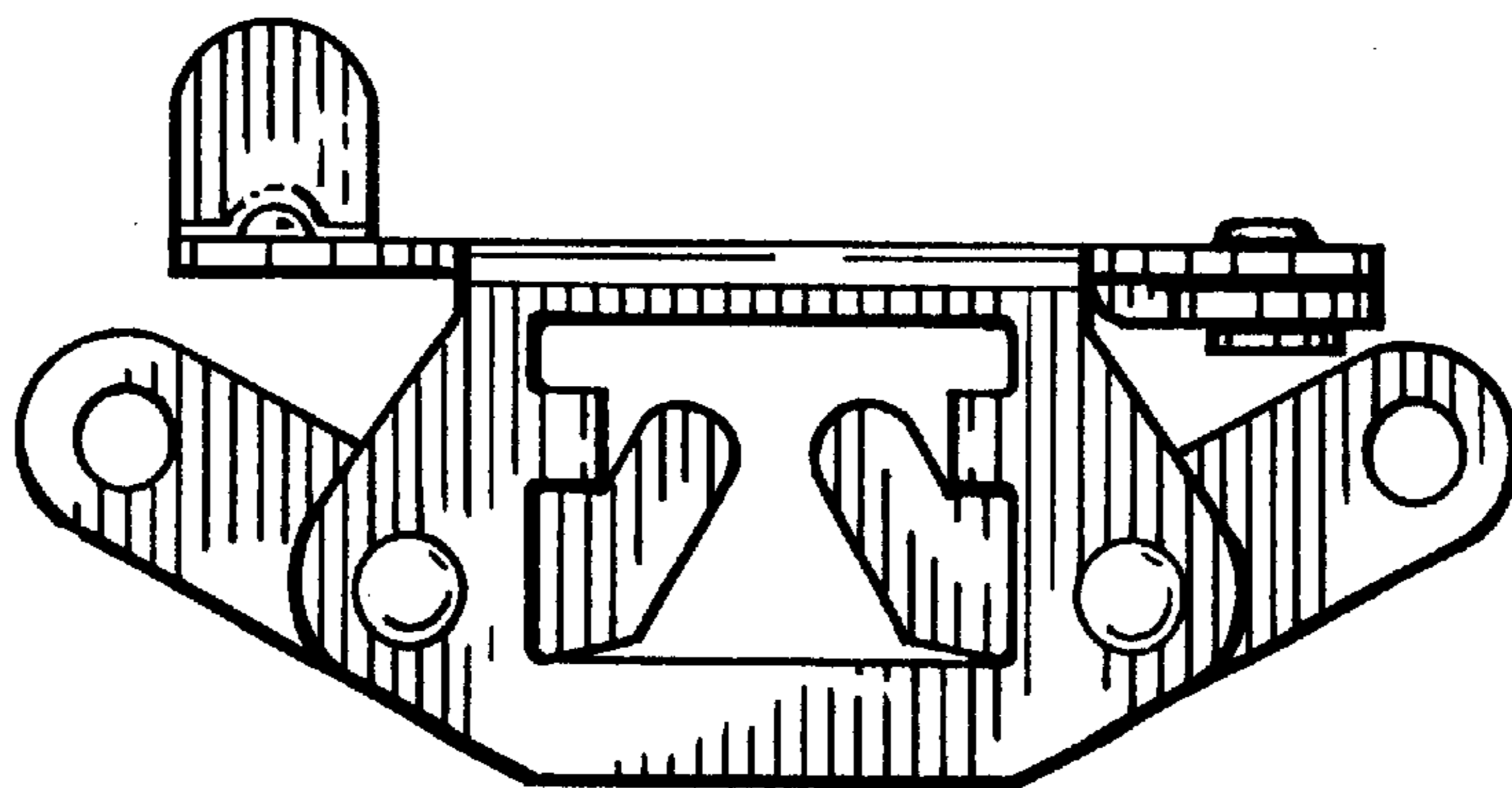


FIG. 4

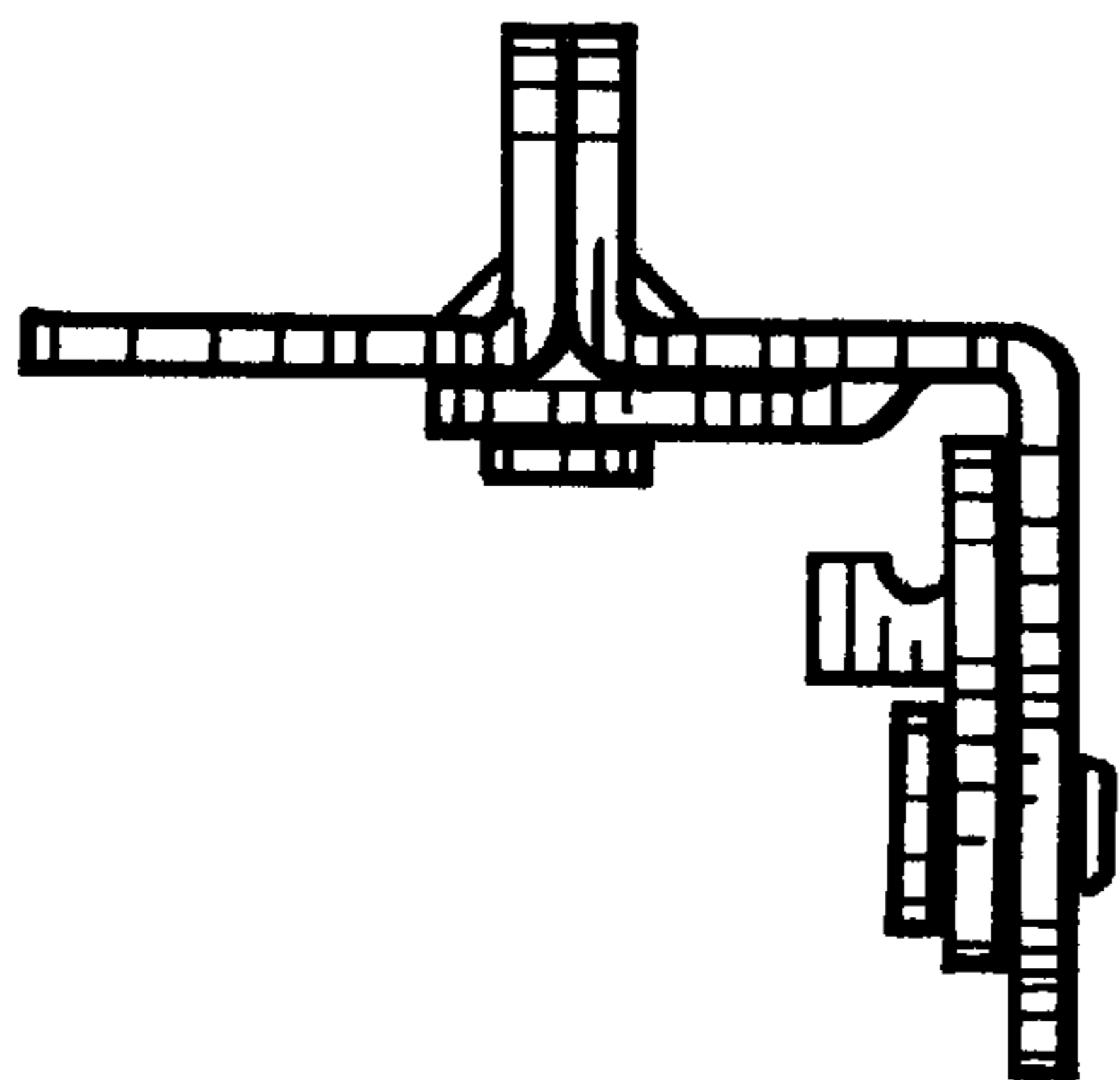


FIG. 5

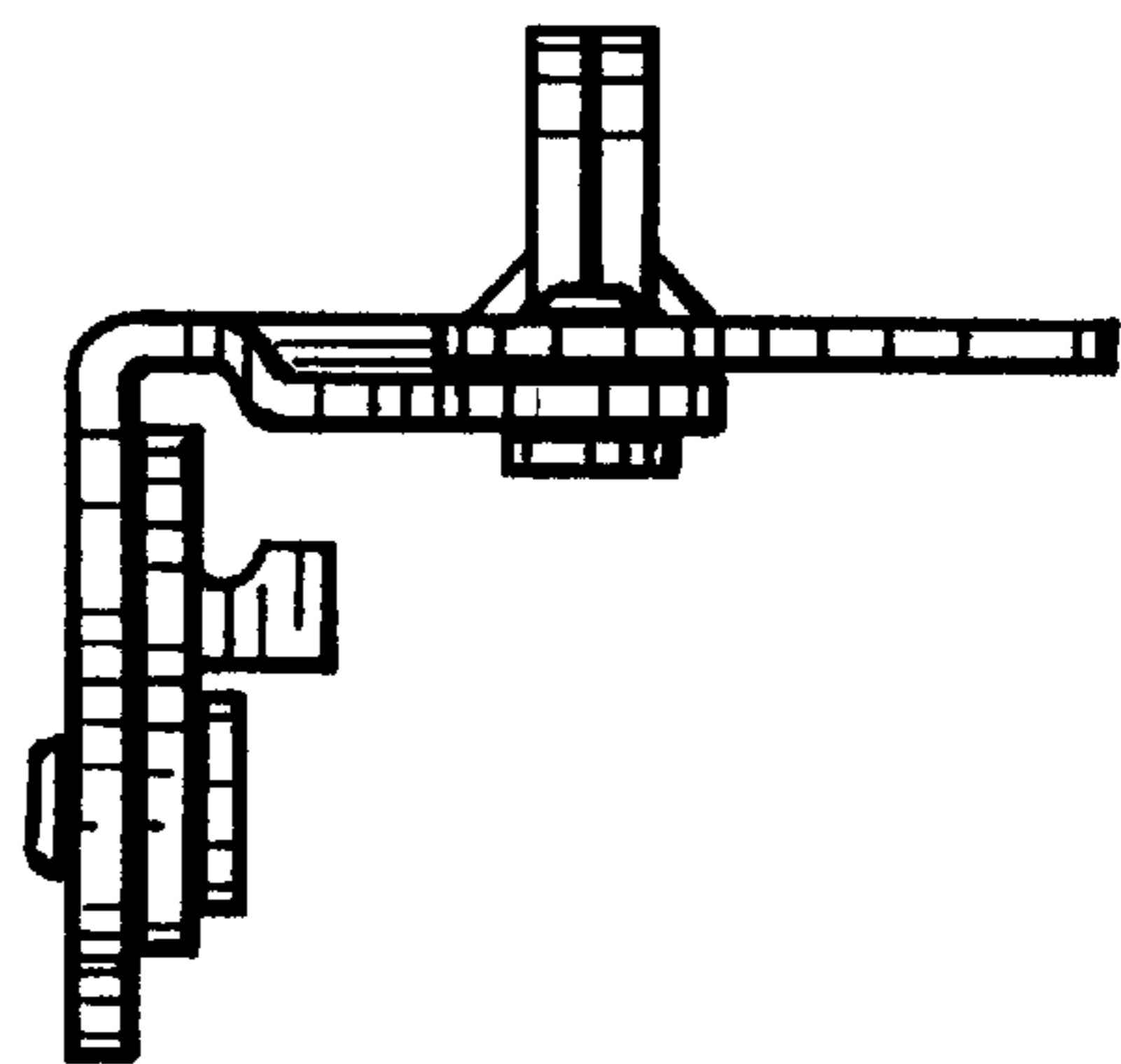


FIG. 6

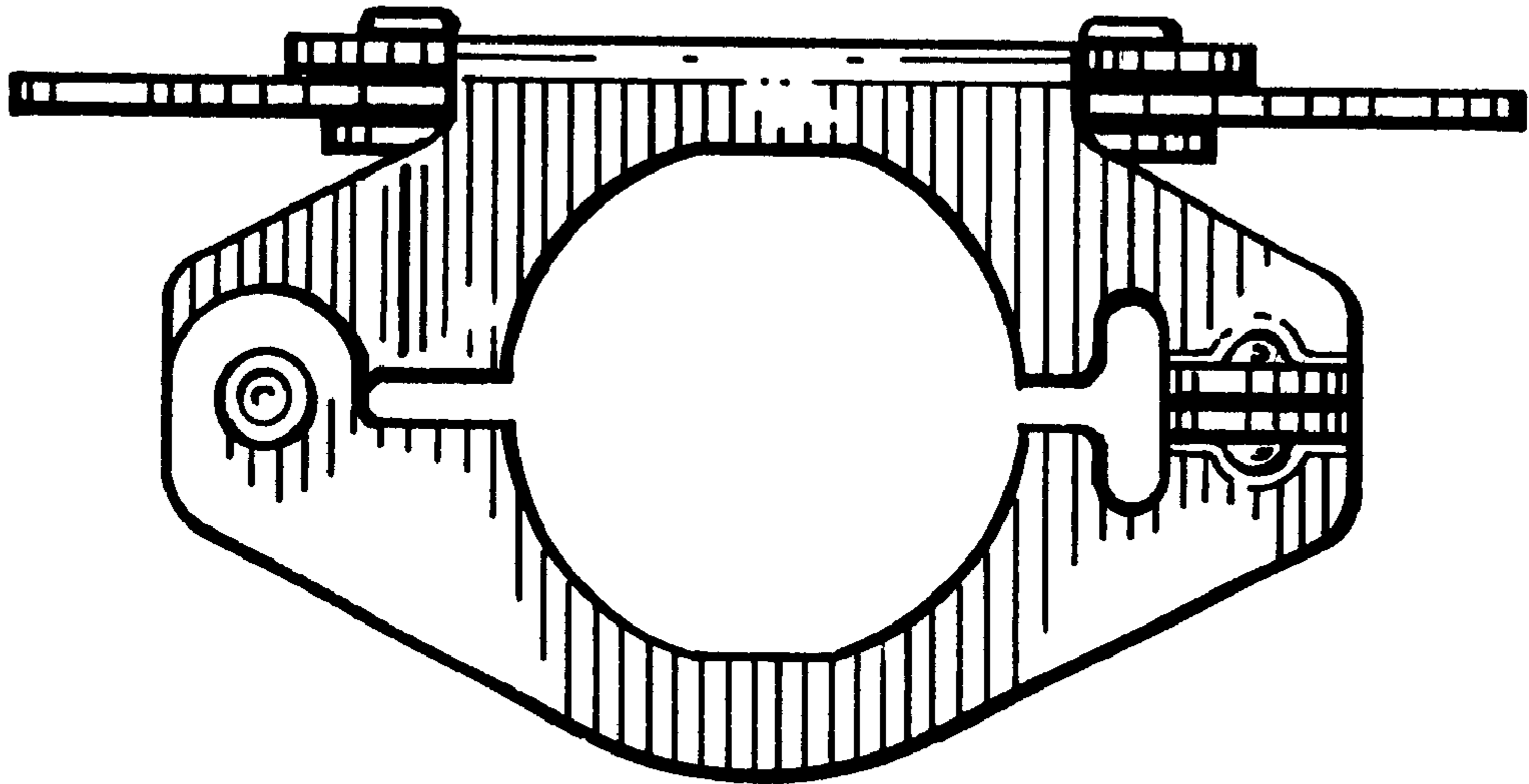


FIG. 7

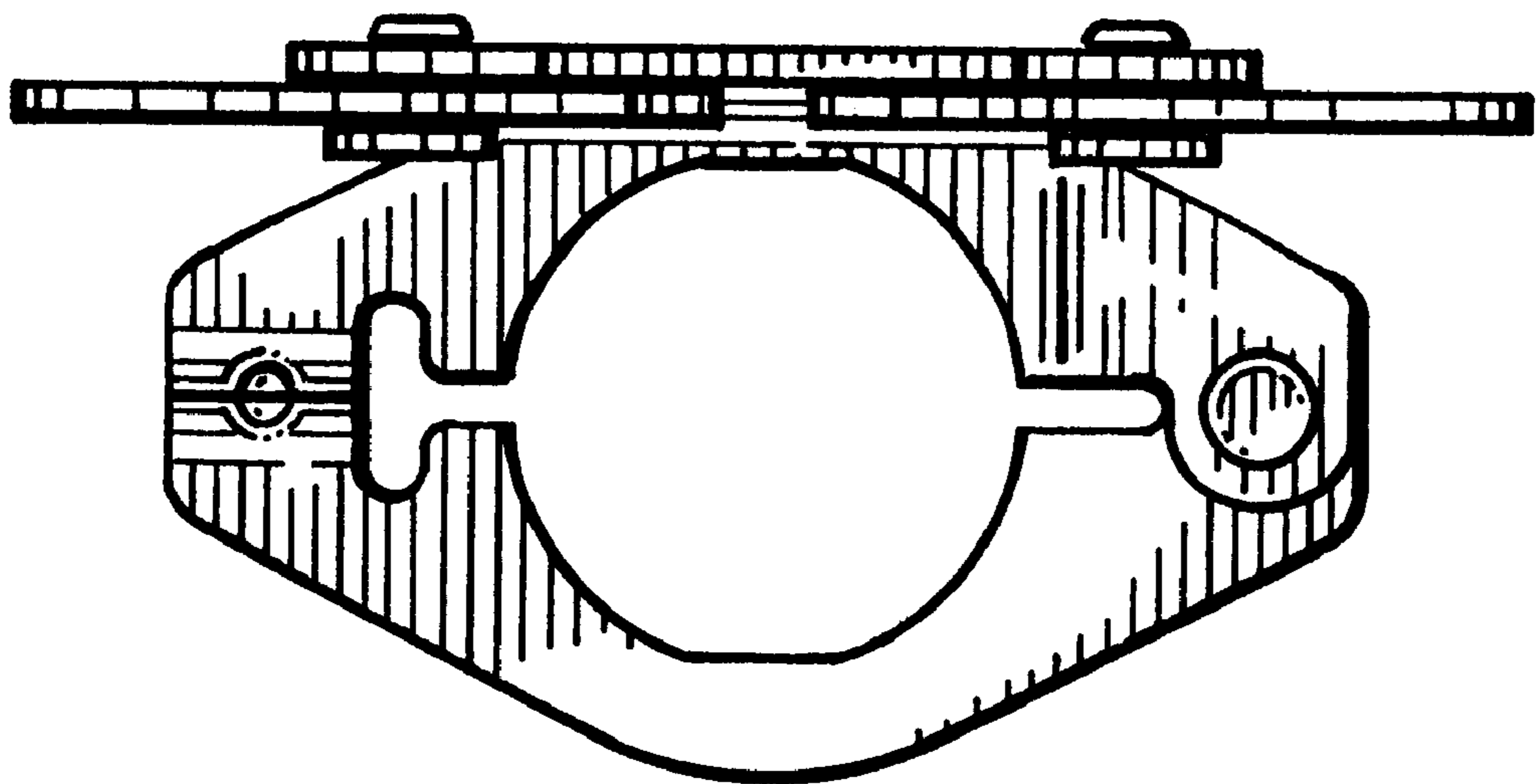


FIG. 8

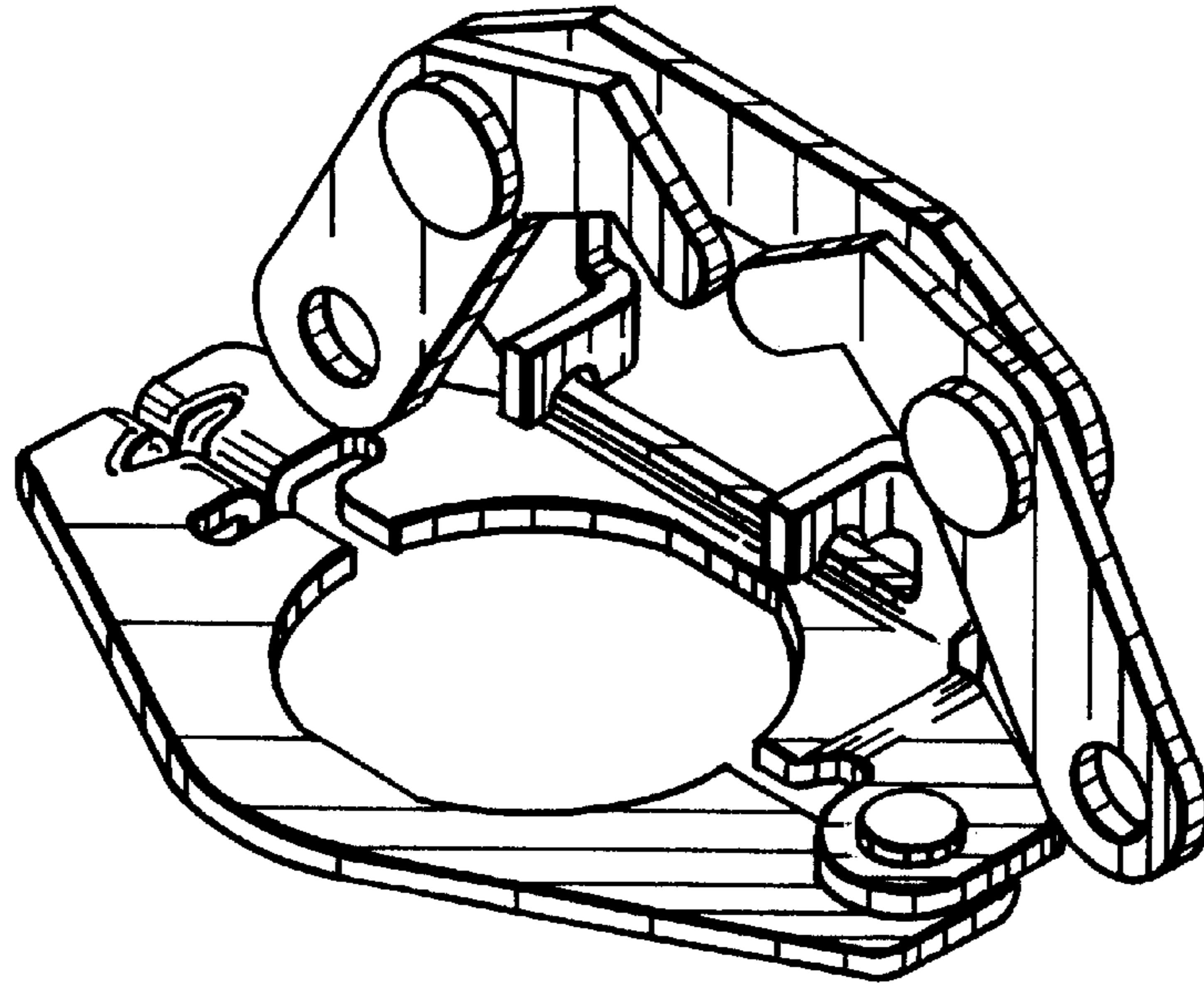


FIG. 9

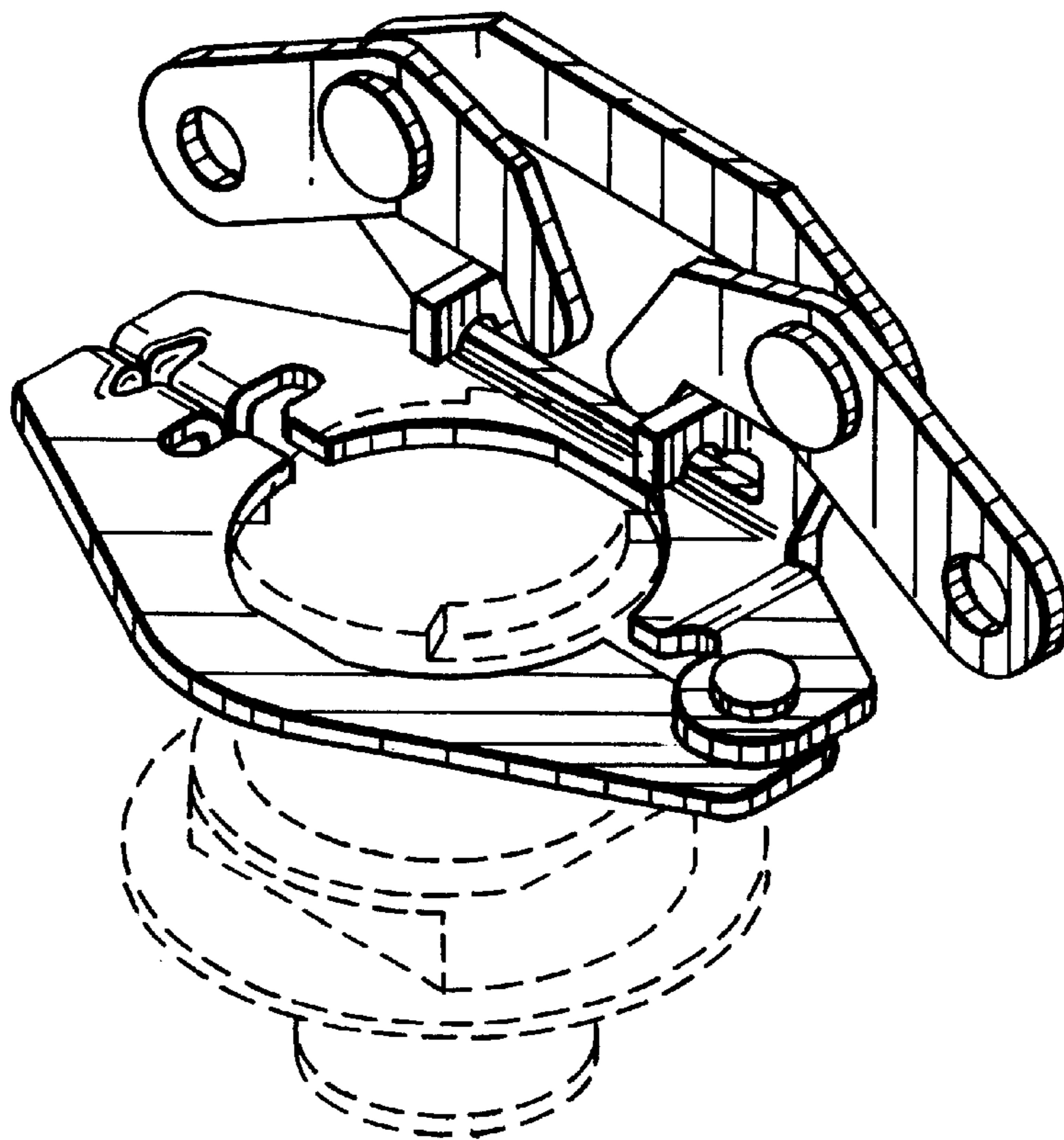


FIG. 10