



US00D472443S

(12) **United States Design Patent**
Chunn et al.

(10) **Patent No.:** **US D472,443 S**

(45) **Date of Patent:** **** *Apr. 1, 2003**

(54) **KEYLESS DRILL CHUCK**
(75) Inventors: **Daniel A. Chunn**, Hong Kong (CN);
Meily Siu Mei Chan, Hong Kong
(CN); **Felix Hei Shun Leung**, Hong
Kong (CN)

(73) Assignee: **TechTronic Industries Co., LTD**, Hong
Kong (CN)

(*) Notice: This patent is subject to a terminal dis-
claimer.

(**) Term: **14 Years**

(21) Appl. No.: **29/150,470**

(22) Filed: **Nov. 5, 2001**

(51) **LOC (7) Cl.** **08-05**

(52) **U.S. Cl.** **D8/70**

(58) **Field of Search** D8/70, 68, 69;
D15/140; 279/60, 61, 62, 63, 64, 65, 66,
157, 901, 902; 408/56, 240

(56) **References Cited**

U.S. PATENT DOCUMENTS

D366,052 S	*	1/1996	Barton et al.	D15/140
5,765,839 A	*	6/1998	Rohm	279/60
D402,675 S	*	12/1998	Long	D8/70
D416,461 S	*	11/1999	Long	D8/70

6,007,071 A	*	12/1999	Middleton	279/62
D421,615 S	*	3/2000	Argo et al.	D8/70
D423,527 S	*	4/2000	Sakamaki	D8/70
D426,760 S	*	6/2000	Schultz	D8/68
D427,216 S	*	6/2000	Miles et al.	D15/140
D433,909 S	*	11/2000	Long	D8/70
D434,629 S	*	12/2000	Long	D8/70
D436,511 S	*	1/2001	Hayakawa et al.	D8/68

* cited by examiner

Primary Examiner—Doris V. Coles
Assistant Examiner—T. Chase Nelson
(74) *Attorney, Agent, or Firm*—John B. Hardaway, III;
Nexsen Pruet Jacobs & Pollard, LLC

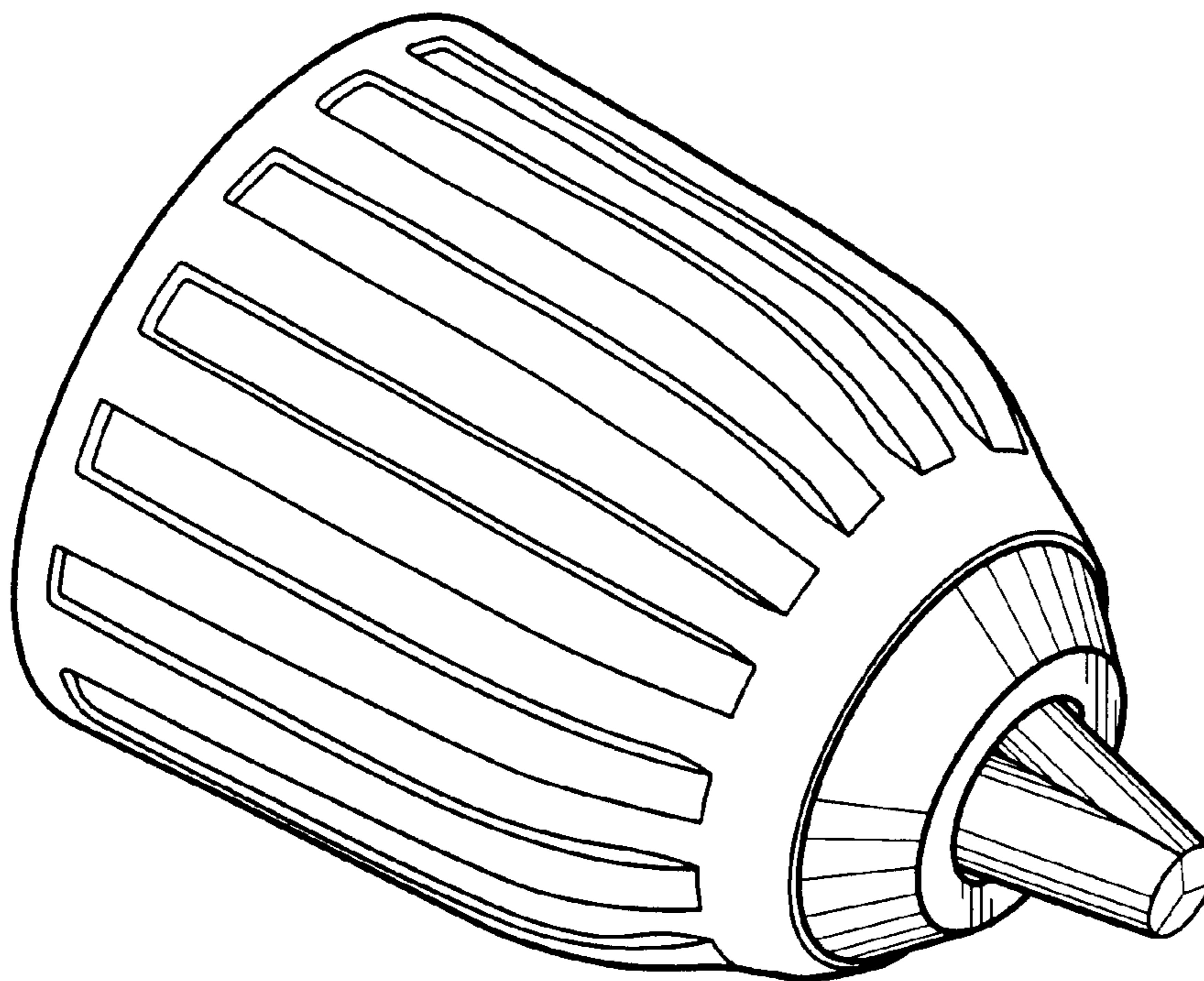
(57) **CLAIM**

The ornamental design for a keyless drill chuck, as shown
and described.

DESCRIPTION

FIG. 1 is a front perspective view of the keyless drill chuck
of the present invention;
FIG. 2 is a rear perspective view;
FIG. 3 is a side elevational view, the top and bottom views
being identical and the rear side elevation view a mirror
image thereof;
FIG. 4 is a front end view; and,
FIG. 5 is a rear end view.

1 Claim, 2 Drawing Sheets



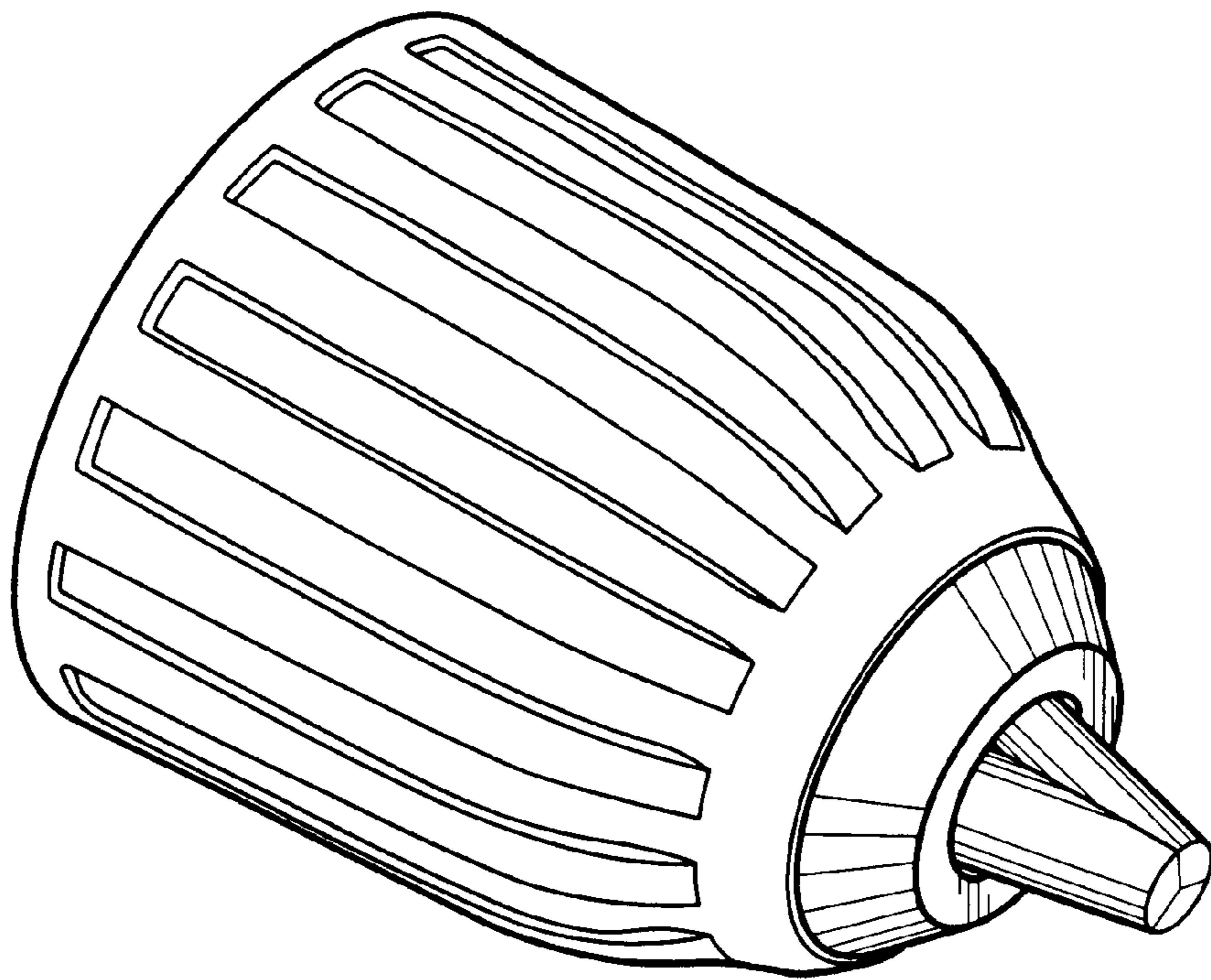


FIG. 1

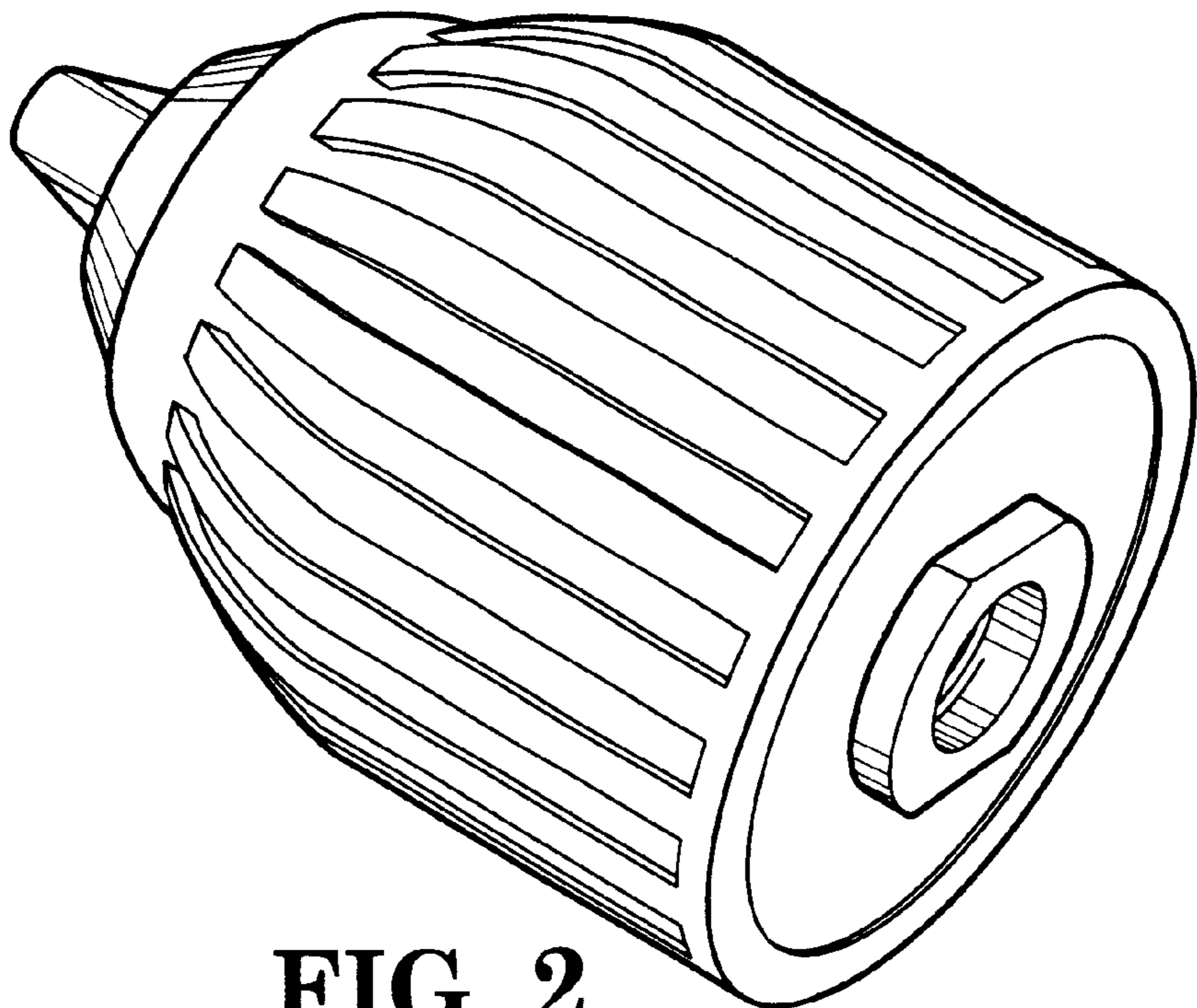


FIG. 2

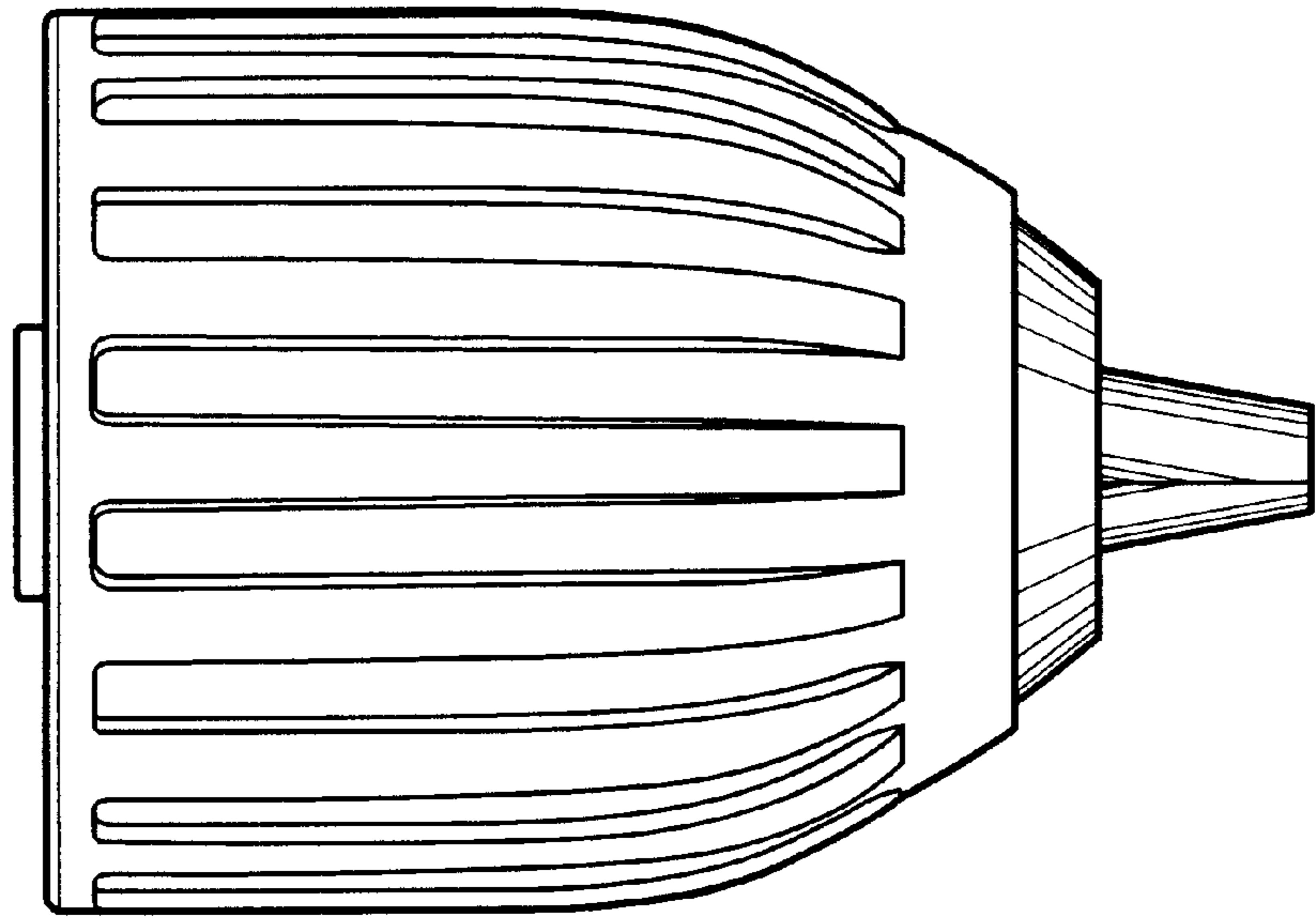


FIG. 3

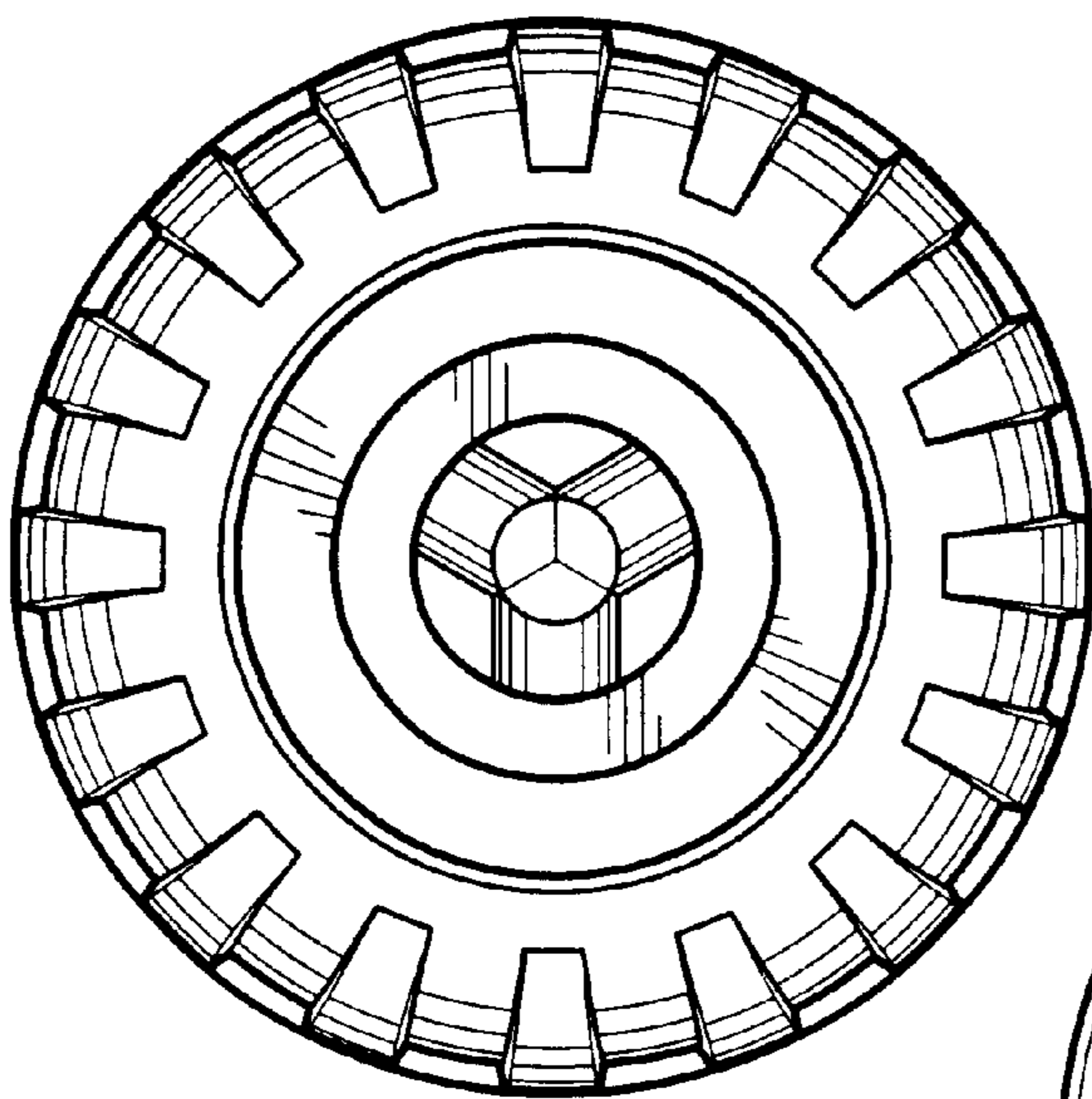


FIG. 4

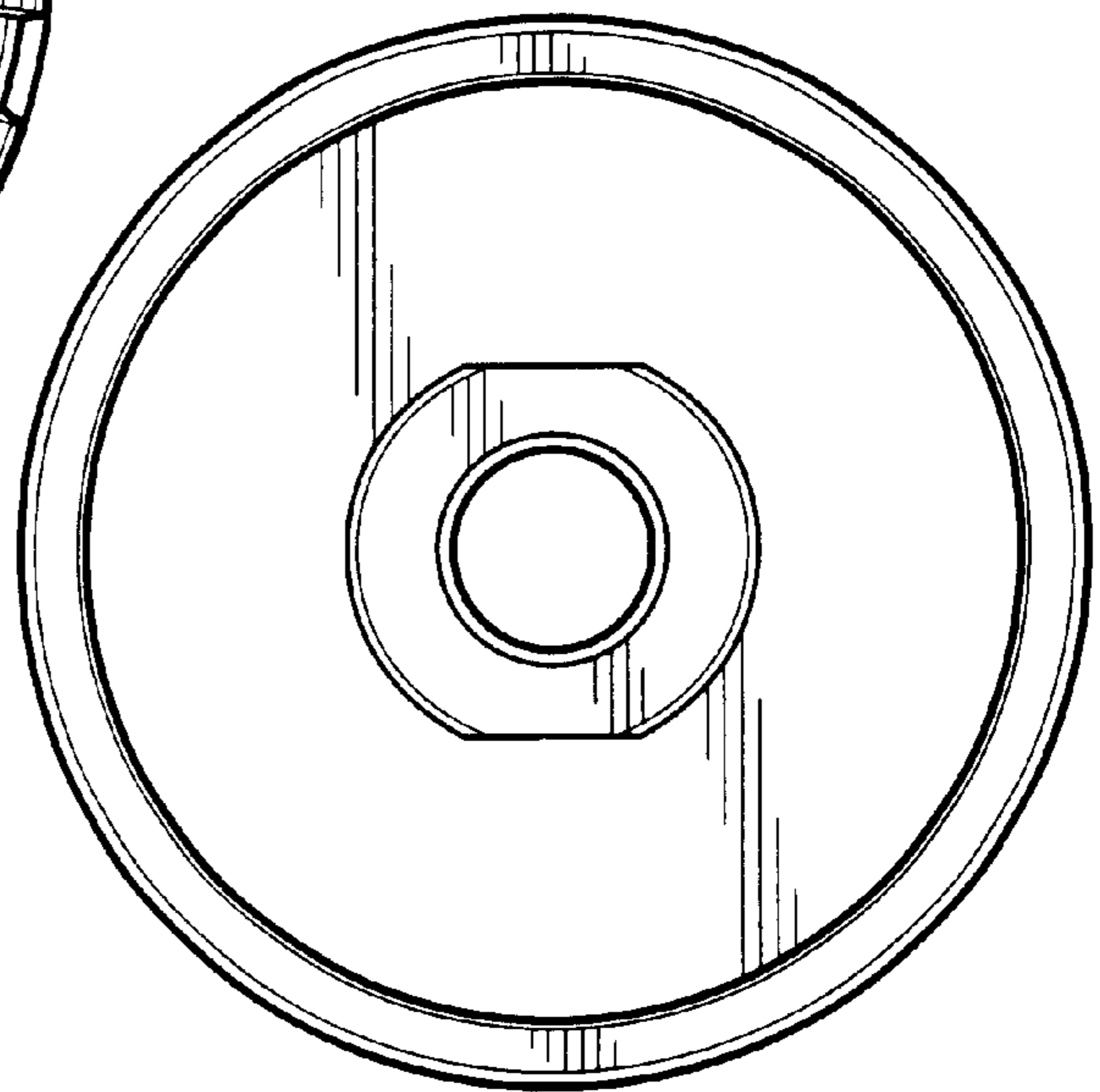


FIG. 5