



US00D472442S

(12) **United States Design Patent**  
**Morgan**

(10) **Patent No.:** **US D472,442 S**

(45) **Date of Patent:** **\*\* Apr. 1, 2003**

(54) **PNEUMATIC TOOL**

(75) **Inventor:** **Fred M. Morgan**, Jackson, TN (US)

(73) **Assignee:** **DeVilbiss Air Power Company**,  
Jackson, TN (US)

(\*\*) **Term:** **14 Years**

(21) **Appl. No.:** **29/153,890**

(22) **Filed:** **Oct. 23, 2001**

(51) **LOC (7) Cl.** ..... **08-01**

(52) **U.S. Cl.** ..... **D8/61**

(58) **Field of Search** ..... D8/25, 61, 62,  
D8/83, DIG. 7; 60/695; 81/57.13, 57.26,  
57.29, 57.39, 57.42, 62, 63, 63.1, 429,  
463, 464, 467, 469, 470, 63.2; 173/93,  
104, 168, 169, 178, 216, 217, 29, 170;  
310/50

(56) **References Cited**

**U.S. PATENT DOCUMENTS**

2,301,889 A \* 11/1942 Lear ..... 173/93

D320,541 S \* 10/1991 Staubitz et al. .... D8/61  
5,052,496 A \* 10/1991 Albert et al. .... 81/57.13  
D327,617 S \* 7/1992 Fisher ..... D8/61  
D327,620 S \* 7/1992 Fisher ..... D8/68  
D338,144 S \* 8/1993 Albert et al. .... D8/61

\* cited by examiner

*Primary Examiner*—Doris V. Coles

*Assistant Examiner*—Elizabeth Albert

(74) *Attorney, Agent, or Firm*—Suiter & Associates PC

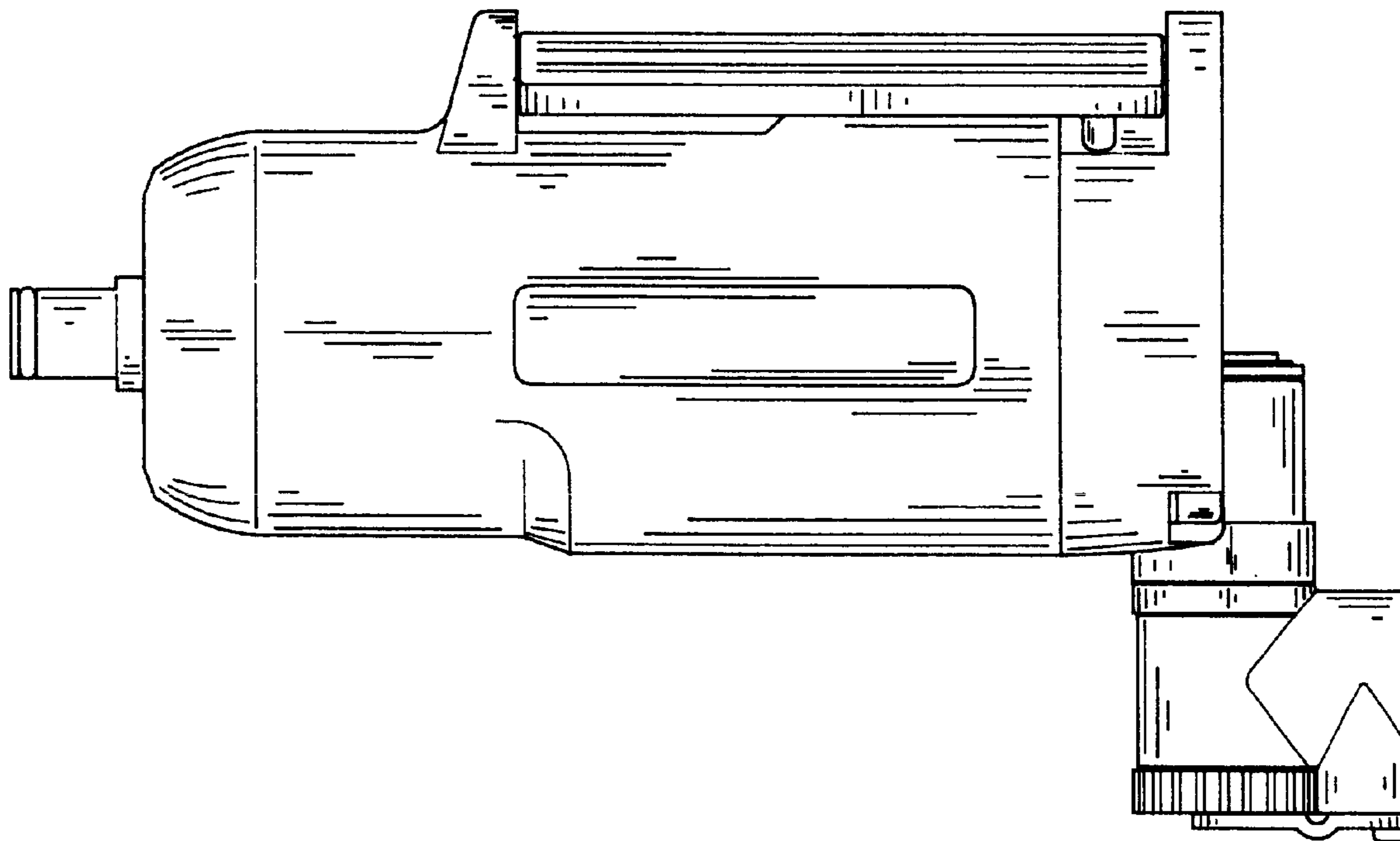
(57) **CLAIM**

We claim the ornamental design for a pneumatic tool, as shown.

**DESCRIPTION**

FIG. 1 is top plan view of a pneumatic tool showing my new design;  
FIG. 2 is a front elevation view thereof;  
FIG. 3 is a left side elevation view thereof;  
FIG. 4 is rear elevation view thereof;  
FIG. 5 is a right side elevation view thereof; and,  
FIG. 6 is a bottom plan view thereof.

**1 Claim, 2 Drawing Sheets**



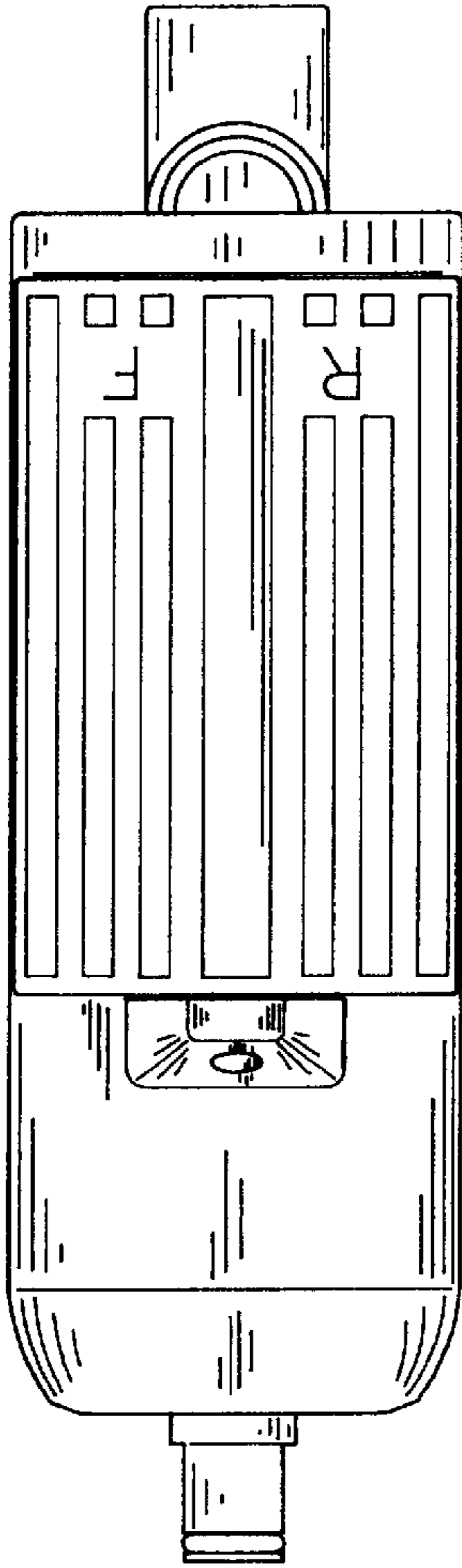


FIG. 1

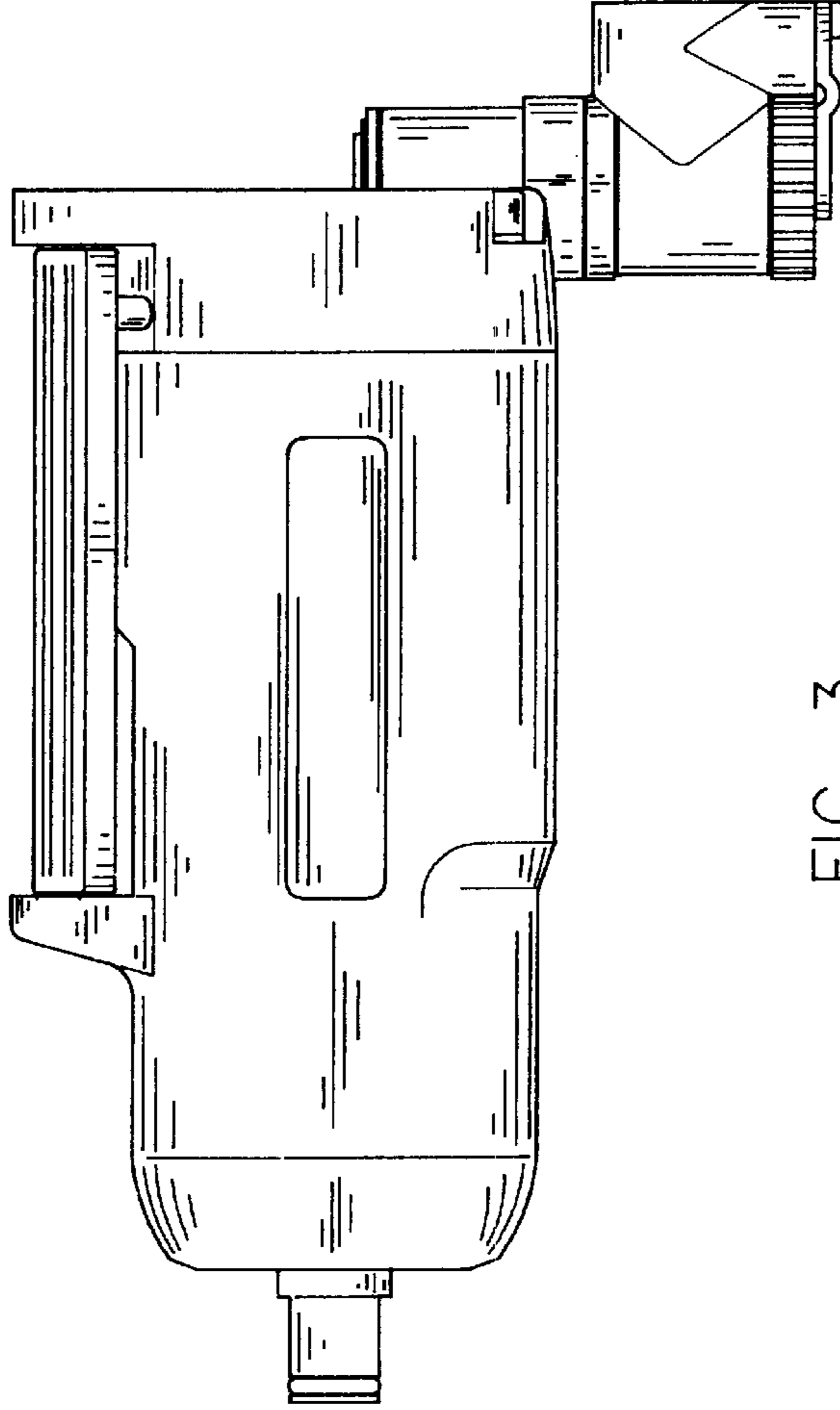


FIG. 3

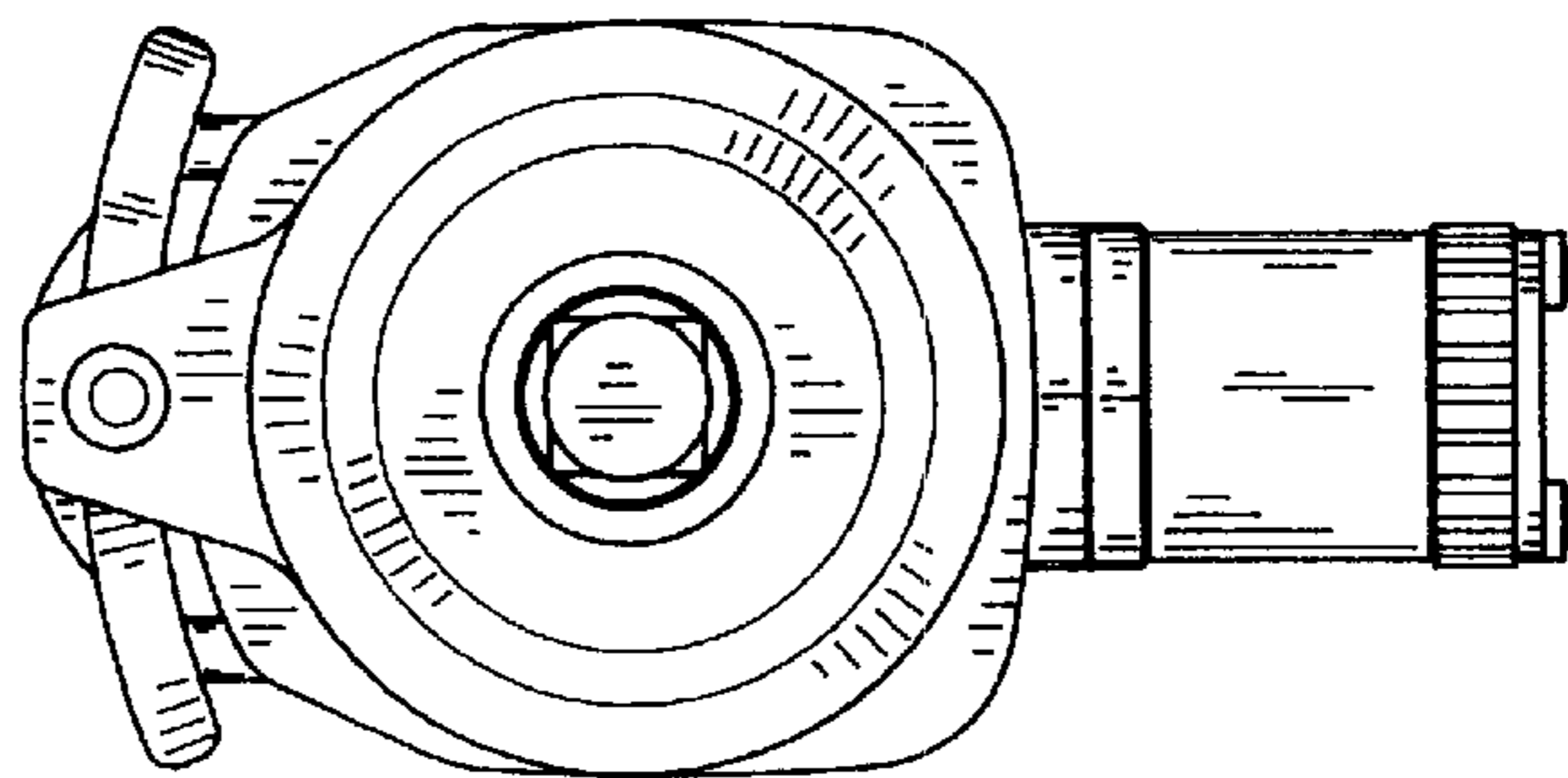


FIG. 2

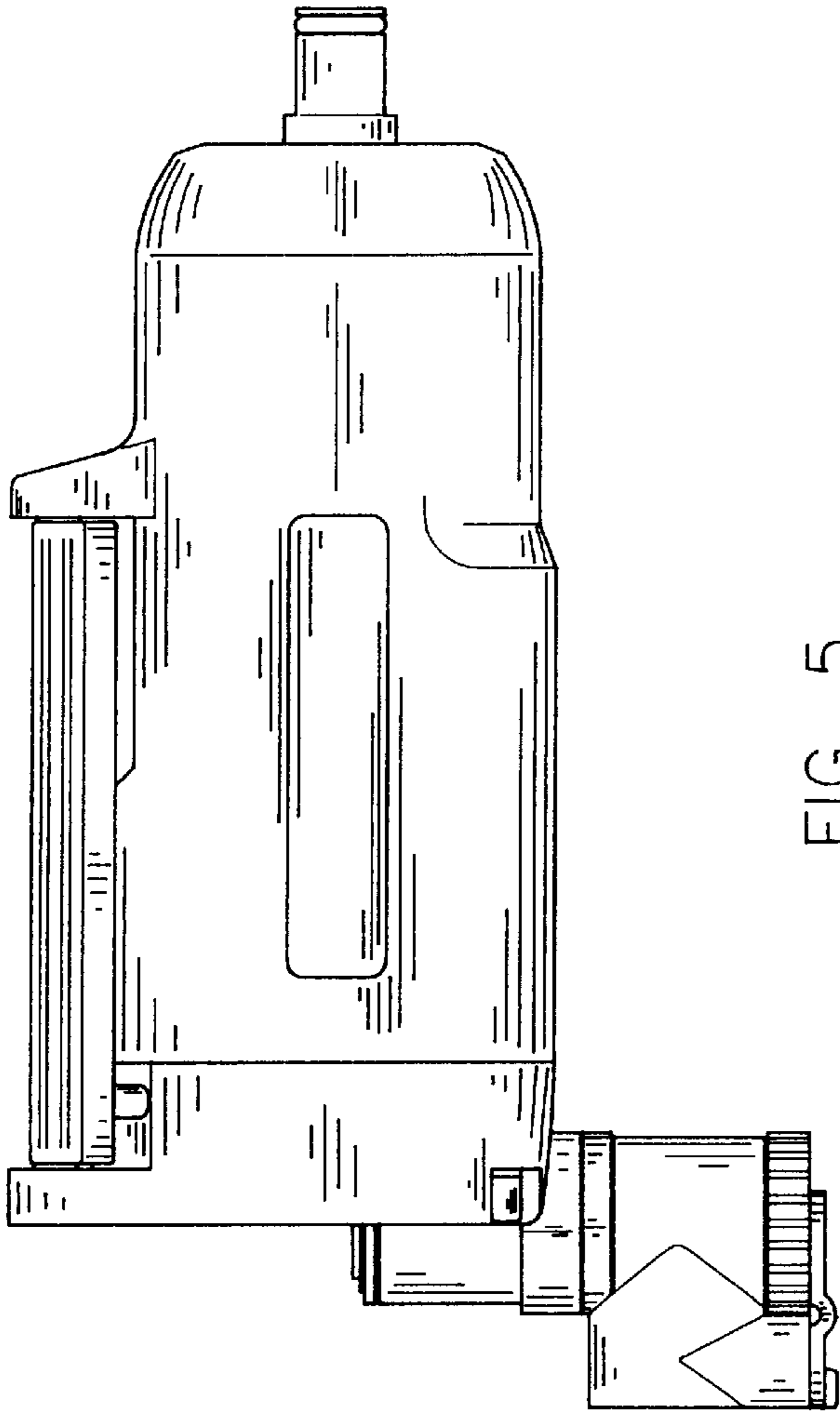


FIG. 5

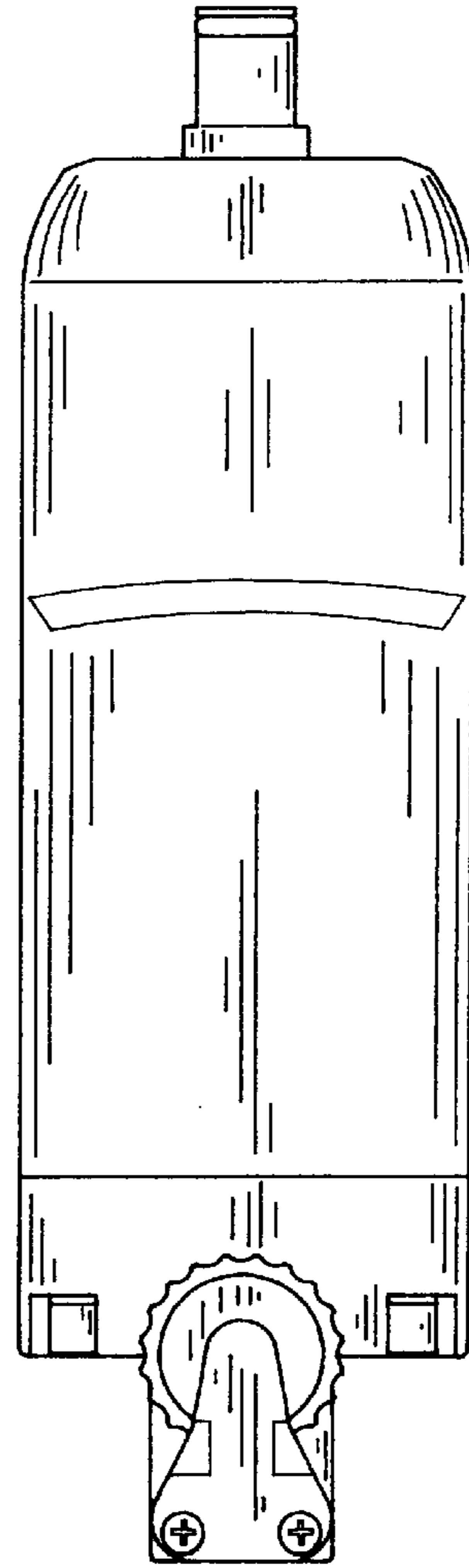


FIG. 6

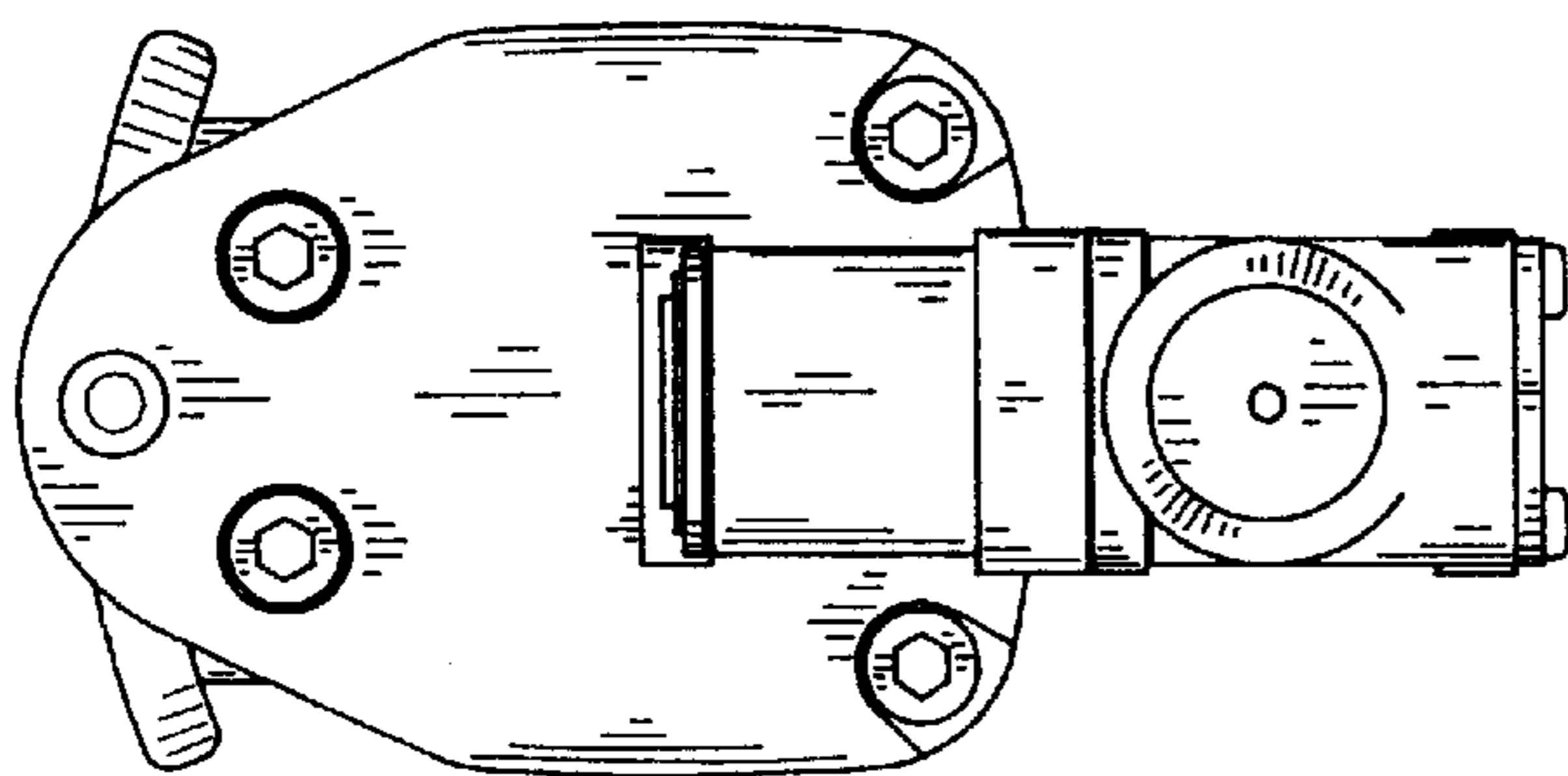


FIG. 4