



US00D472441S

(12) **United States Design Patent**  
**Morgan**

(10) **Patent No.:** **US D472,441 S**

(45) **Date of Patent:** **\*\* Apr. 1, 2003**

(54) **PNEUMATIC TOOL**

(75) **Inventor:** **Fred M. Morgan**, Jackson, TN (US)

(73) **Assignee:** **DeVilbiss Air Power Company**,  
Jackson, TN (US)

(\*\*) **Term:** **14 Years**

(21) **Appl. No.:** **29/153,878**

(22) **Filed:** **Oct. 23, 2001**

(51) **LOC (7) Cl.** ..... **08-01**

(52) **U.S. Cl.** ..... **D8/61**

(58) **Field of Search** ..... D8/25, 61, 62,  
D8/83, DIG. 7; 60/695; 81/57.13, 57.26,  
57.29, 57.39, 57.42, 62, 63, 63.1, 63.2,  
429, 463, 464, 467, 469, 470; 173/29, 93,  
104, 168, 169, 170, 178, 216, 217; 310/50;  
451/344, 351, 357, 358, 359, 451, 456

(56) **References Cited**

**U.S. PATENT DOCUMENTS**

- 1,385,178 A \* 7/1921 Levedahl ..... 173/169
- 2,900,856 A \* 8/1959 Maier ..... 81/54
- 3,591,989 A \* 7/1971 Granlie ..... 451/451
- 4,106,750 A \* 8/1978 Karden et al. .... 173/69

- D347,372 S \* 5/1994 Ghode et al. .... D8/61
- 5,775,981 A \* 7/1998 Yang ..... 451/295
- 5,911,281 A \* 6/1999 Treskog et al. .... 173/104

**OTHER PUBLICATIONS**

Cut-off Tool, RF®-3201, RF Air Tools brochure, No. 93/2033, Jun. 1993.\*

\* cited by examiner

*Primary Examiner*—Doris V. Coles

*Assistant Examiner*—Elizabeth Albert

(74) *Attorney, Agent, or Firm*—Suiter & Associates PC

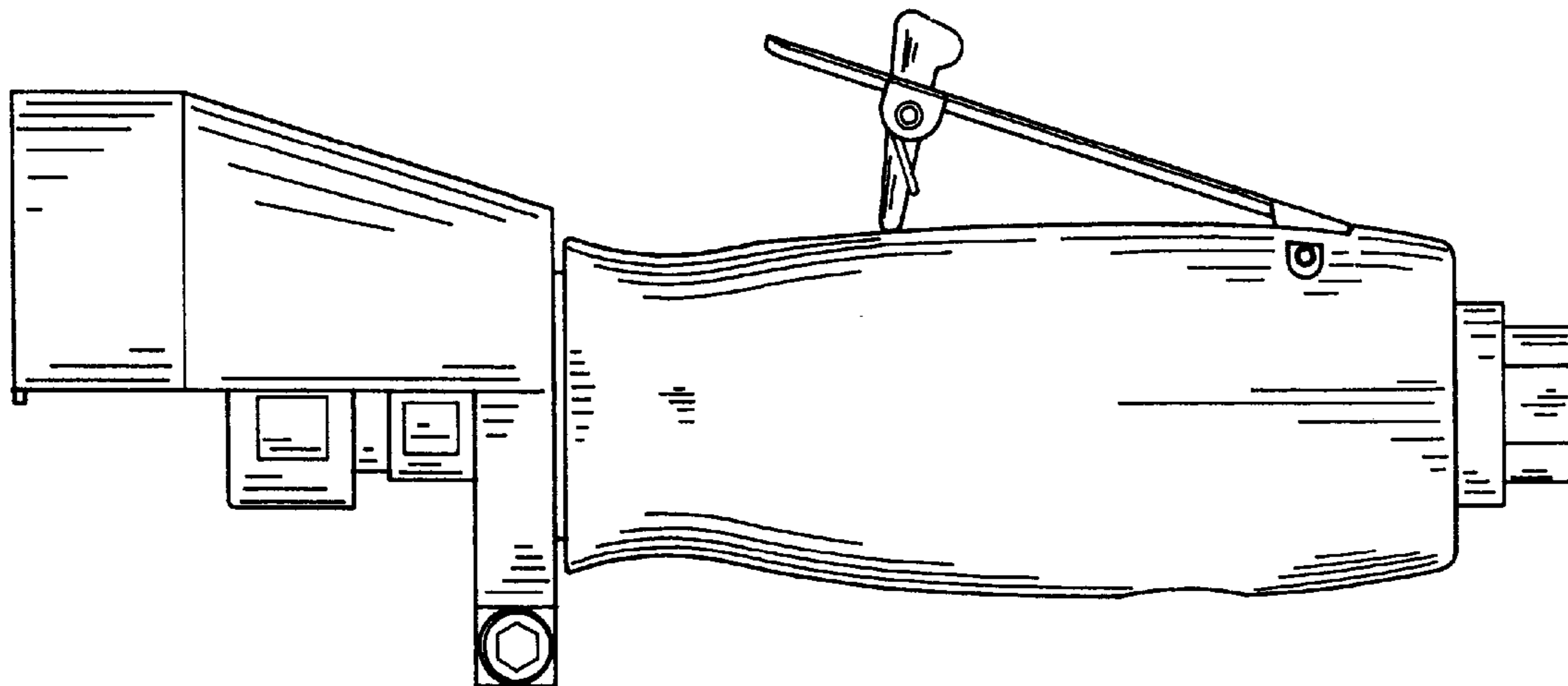
(57) **CLAIM**

We claim the ornamental design for a pneumatic tool, as shown.

**DESCRIPTION**

FIG. 1 is top plan view of a pneumatic tool showing my new design;  
 FIG. 2 is a front elevation view thereof;  
 FIG. 3 is a left side elevation view thereof;  
 FIG. 4 is rear elevation view thereof;  
 FIG. 5 is a right side elevation view thereof; and,  
 FIG. 6 is a bottom plan view thereof.

**1 Claim, 2 Drawing Sheets**



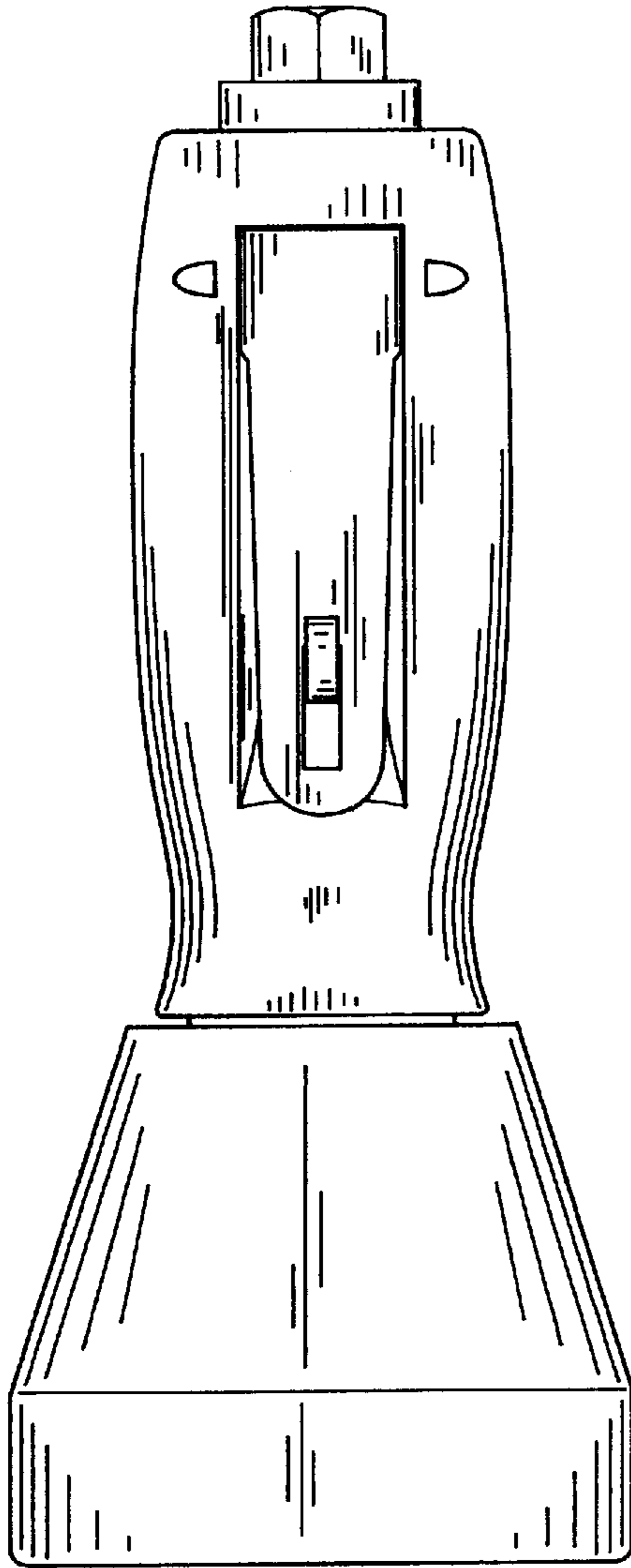


FIG. 1

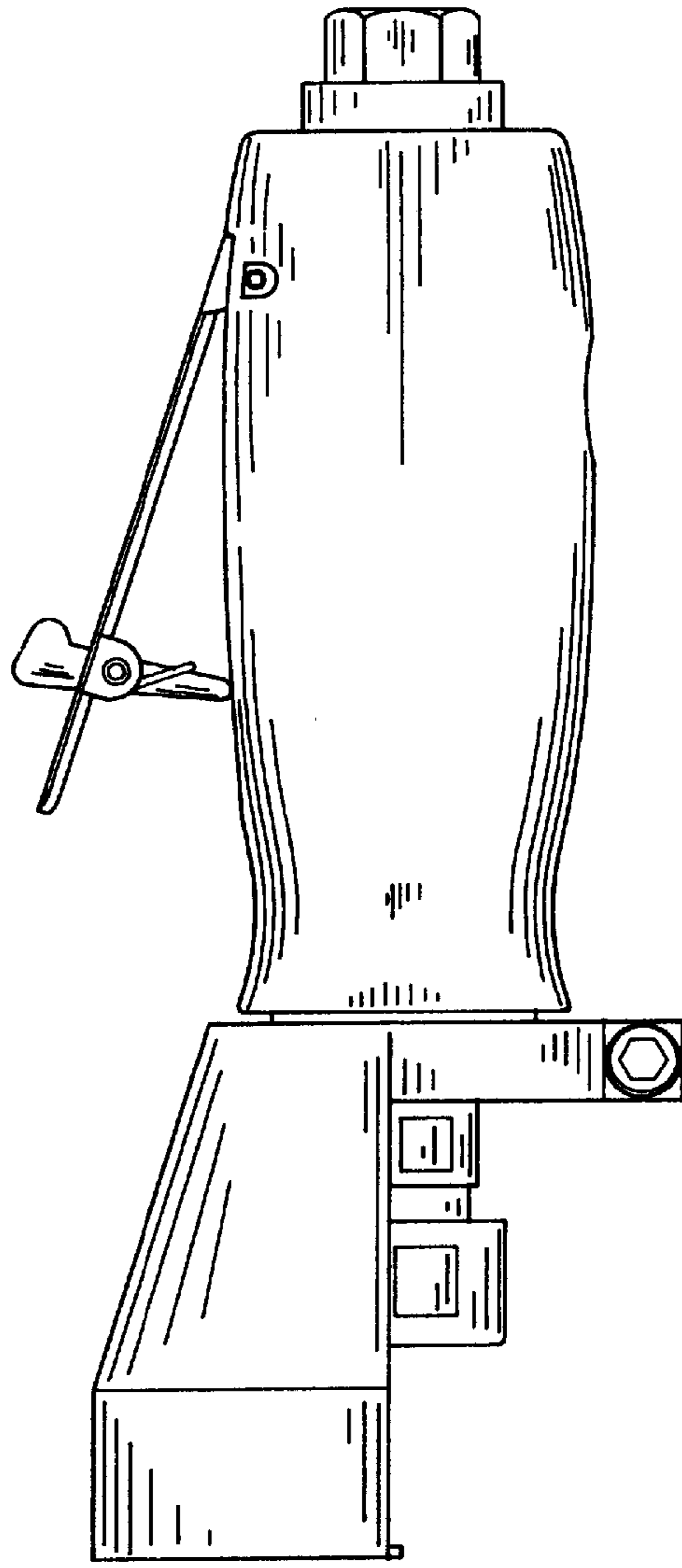


FIG. 3

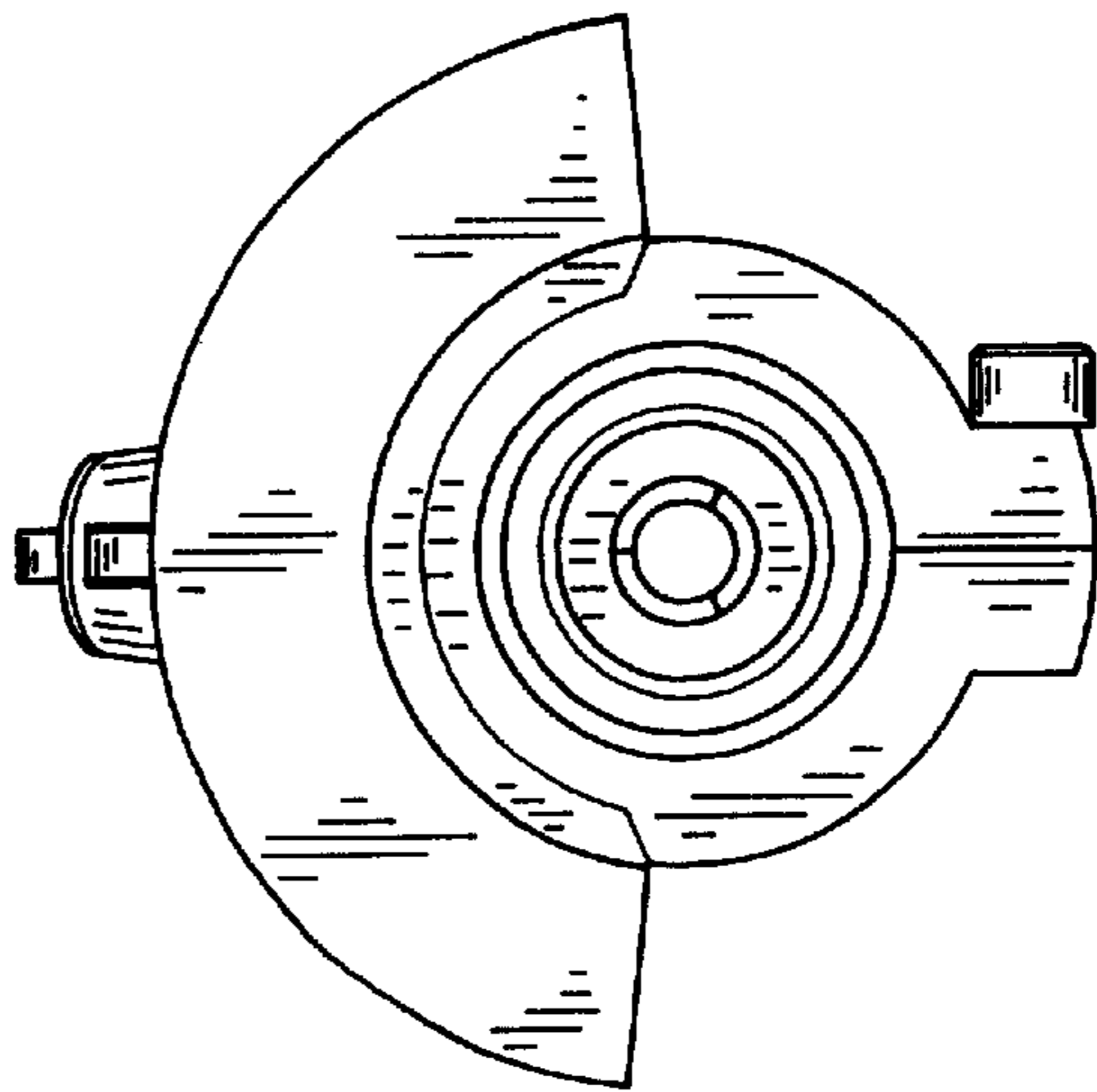


FIG. 2

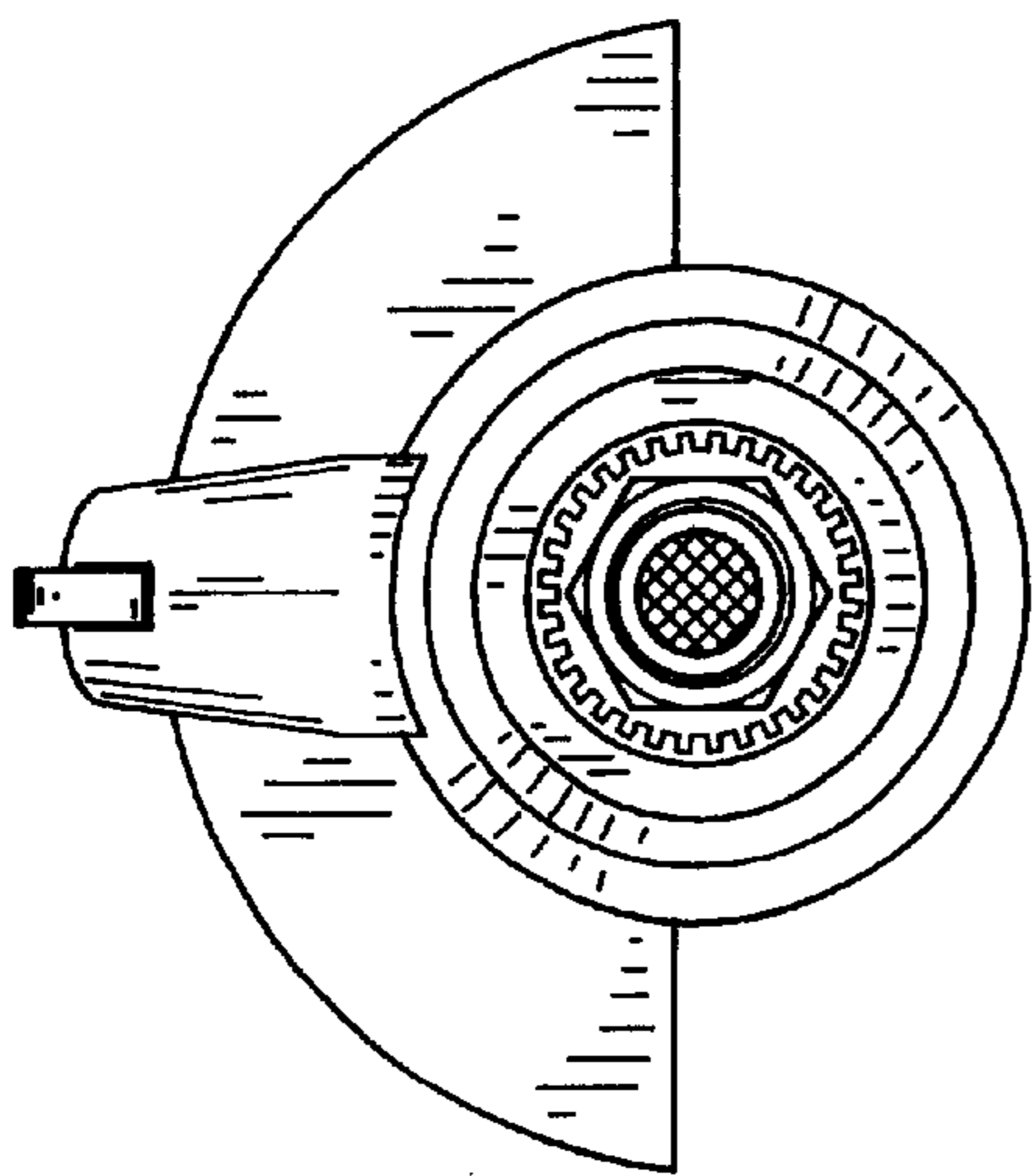


FIG. 4

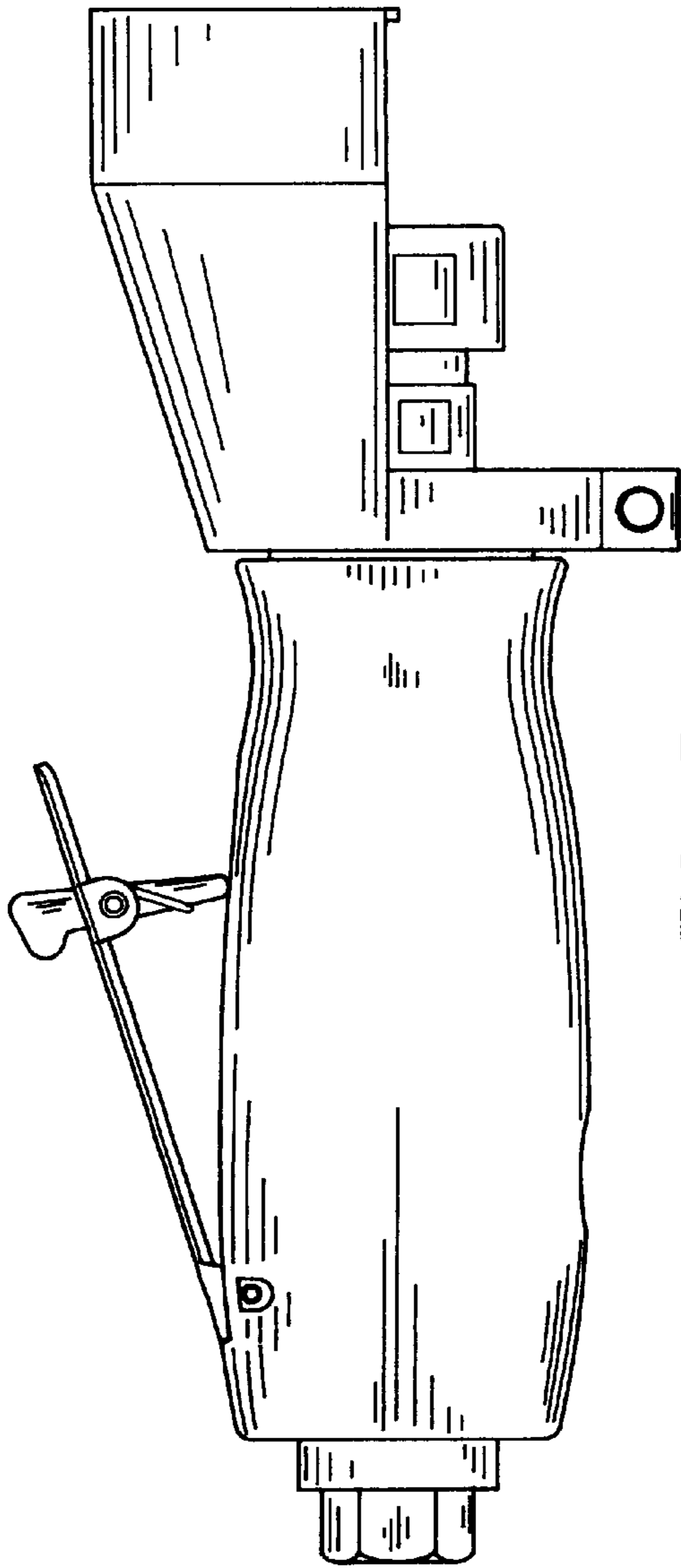


FIG. 5

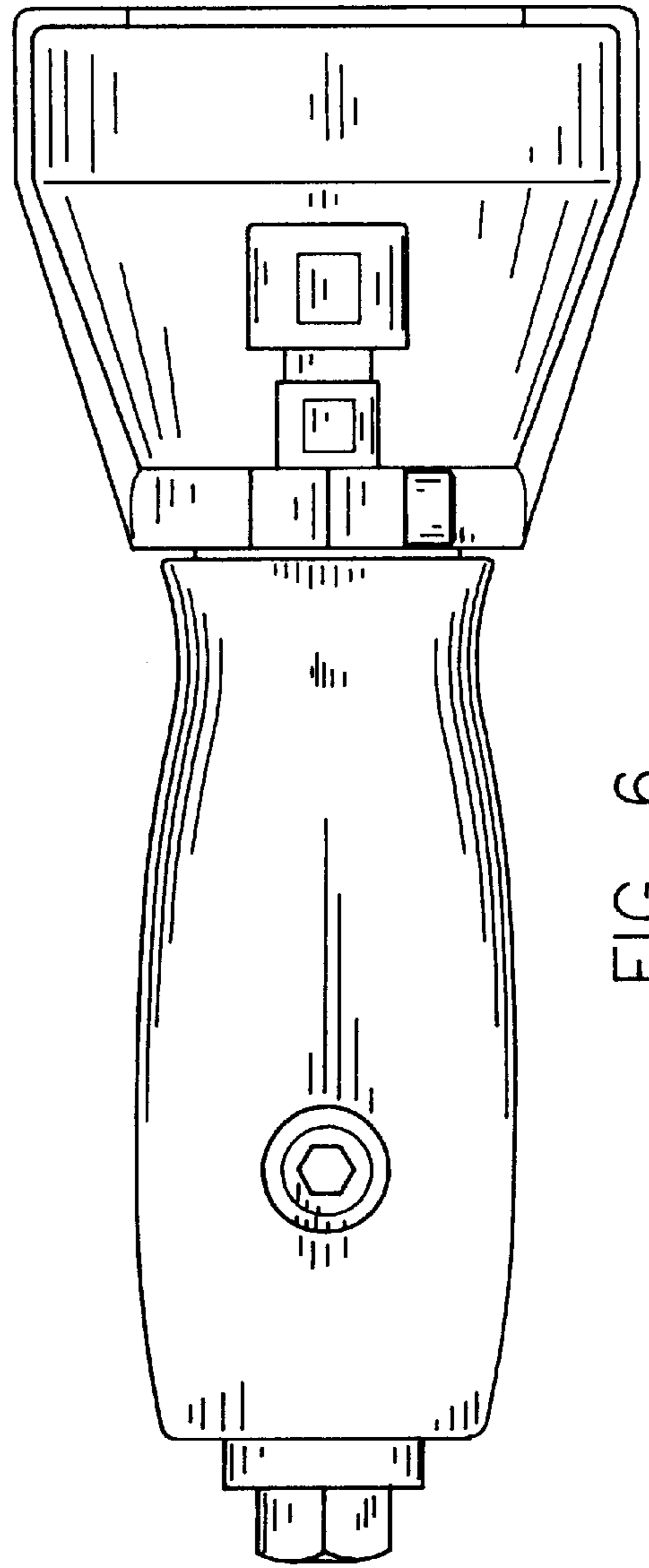


FIG. 6