



US00D472440S

(12) **United States Design Patent**
Morgan

(10) **Patent No.:** **US D472,440 S**

(45) **Date of Patent:** **** Apr. 1, 2003**

(54) **PNEUMATIC TOOL**

(75) **Inventor:** **Fred M. Morgan**, Jackson, TN (US)

(73) **Assignee:** **DeVilbiss Air Power Company**,
Jackson, TN (US)

(**) **Term:** **14 Years**

(21) **Appl. No.:** **29/151,961**

(22) **Filed:** **Dec. 13, 2001**

(51) **LOC (7) Cl.** **08-01**

(52) **U.S. Cl.** **D8/61**

(58) **Field of Search** D8/25, 61, 62,
D8/83, DIG. 7; 60/695; 81/57.13, 57.26,
57.29, 57.39, 57.42, 62, 63, 63.1, 63.2,
429, 463, 464, 467, 469, 470; 173/29, 93,
104, 168, 169, 170, 178, 216, 217; 310/50;
451/344, 351, 357, 358, 359, 451, 456

(56) **References Cited**

U.S. PATENT DOCUMENTS

4,558,539 A	*	12/1985	Hansson	451/344
4,932,163 A	*	6/1990	Chilton et al.	451/359
5,077,942 A	*	1/1992	Jacobson	451/344
5,301,471 A	*	4/1994	Fisher et al.	451/357

5,339,572 A	*	8/1994	Eicher	451/358
5,911,281 A	*	6/1999	Treskog et al.	173/104
6,155,916 A	*	12/2000	Rudolf et al.	451/344
6,163,094 A	*	12/2000	Jansson	310/50
D437,199 S	*	2/2001	Robson	D8/62

* cited by examiner

Primary Examiner—Doris V. Coles

Assistant Examiner—Elizabeth Albert

(74) *Attorney, Agent, or Firm*—Suiter & Associates PC

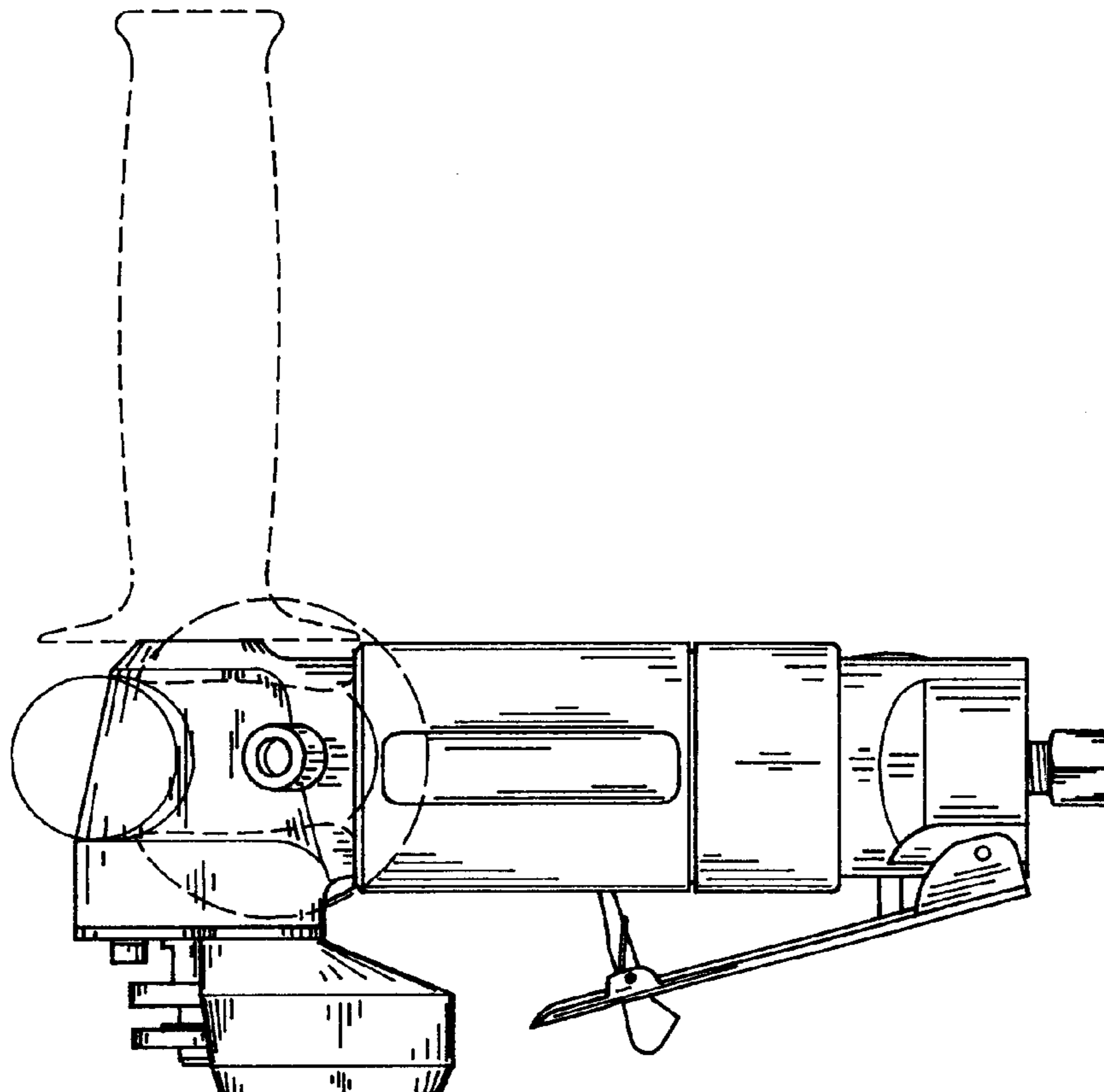
(57) **CLAIM**

We claim the ornamental design for a pneumatic tool, as shown and described.

DESCRIPTION

FIG. 1 is a top plan view of a pneumatic tool showing my new design;
 FIG. 2 is a front elevation view thereof;
 FIG. 3 is a left side elevation view thereof;
 FIG. 4 is rear elevation view thereof;
 FIG. 5 is a right side elevation view thereof; and,
 FIG. 6 is a bottom plan view thereof.
 The broken lines showing environment in the drawings are for illustrative purposes only and form no part of the claimed design.

1 Claim, 2 Drawing Sheets



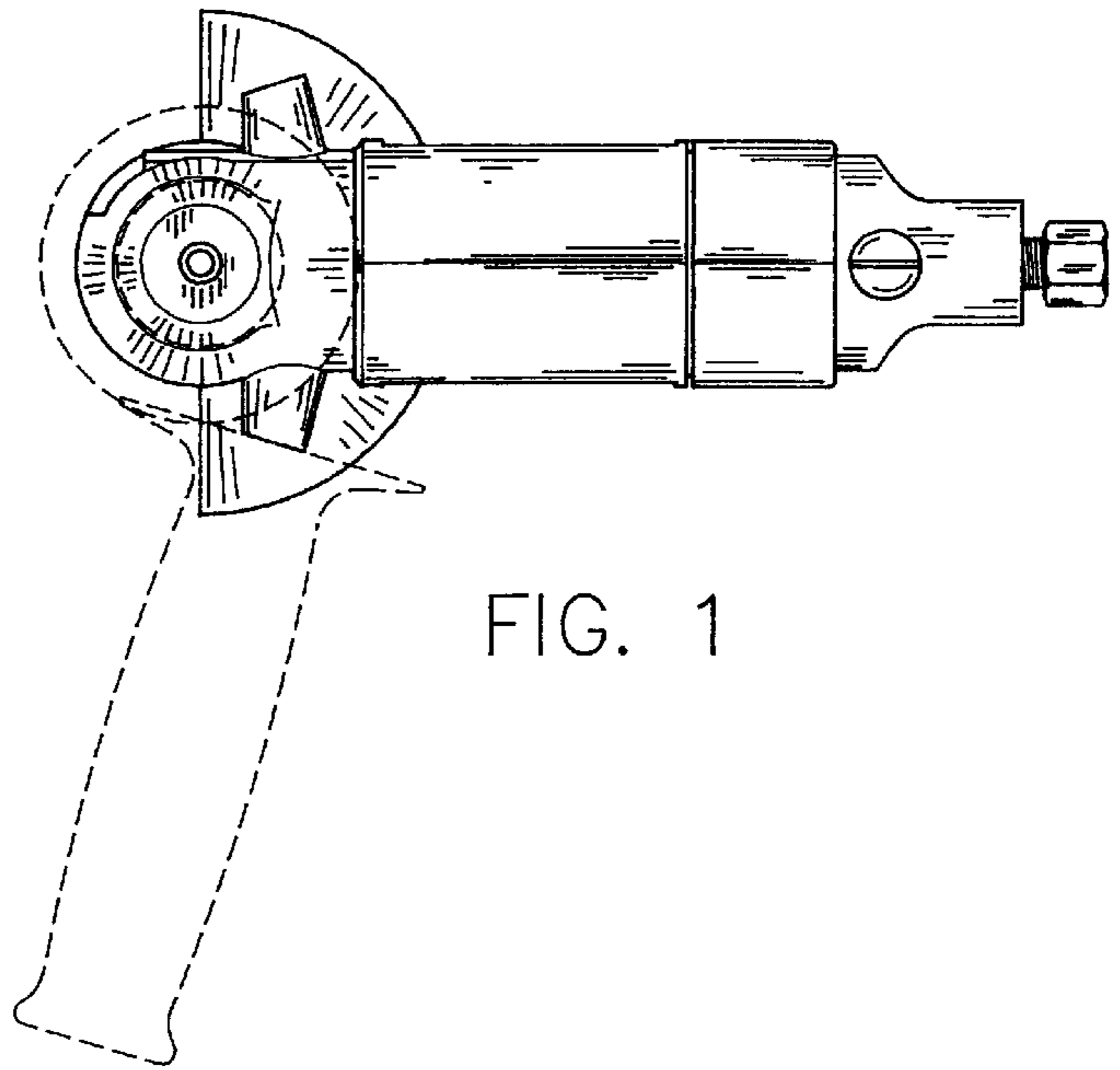


FIG. 1

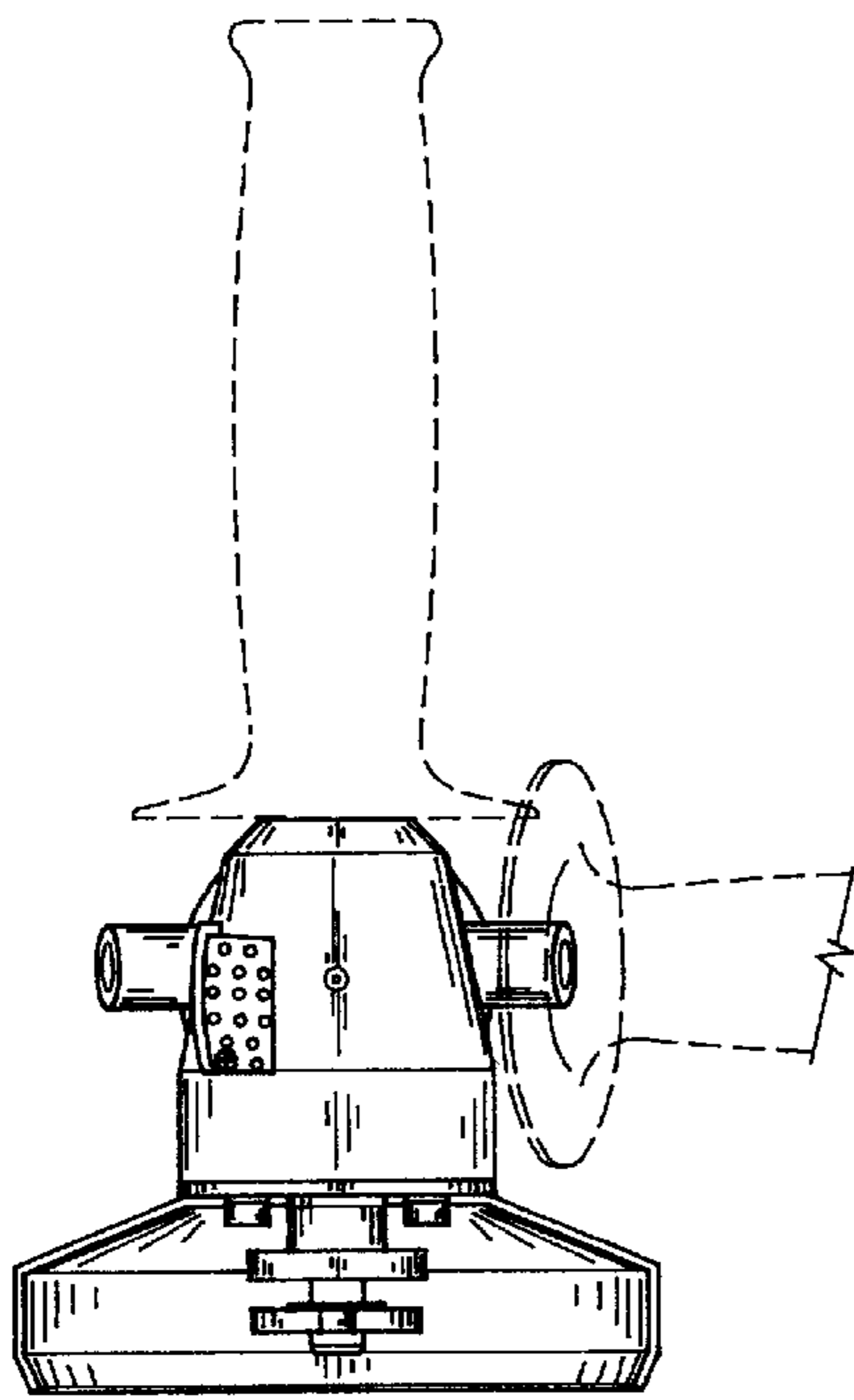


FIG. 2

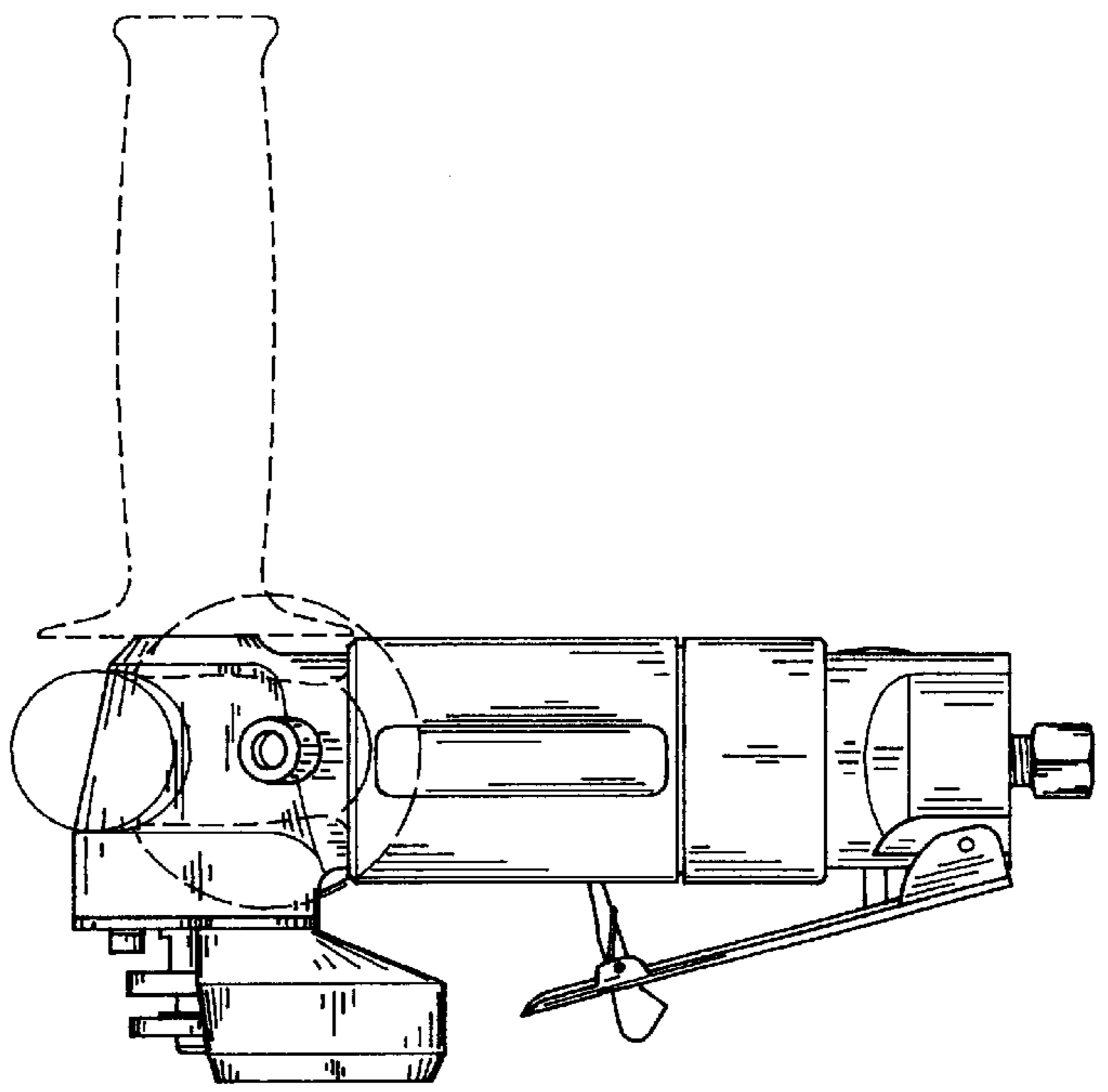


FIG. 3

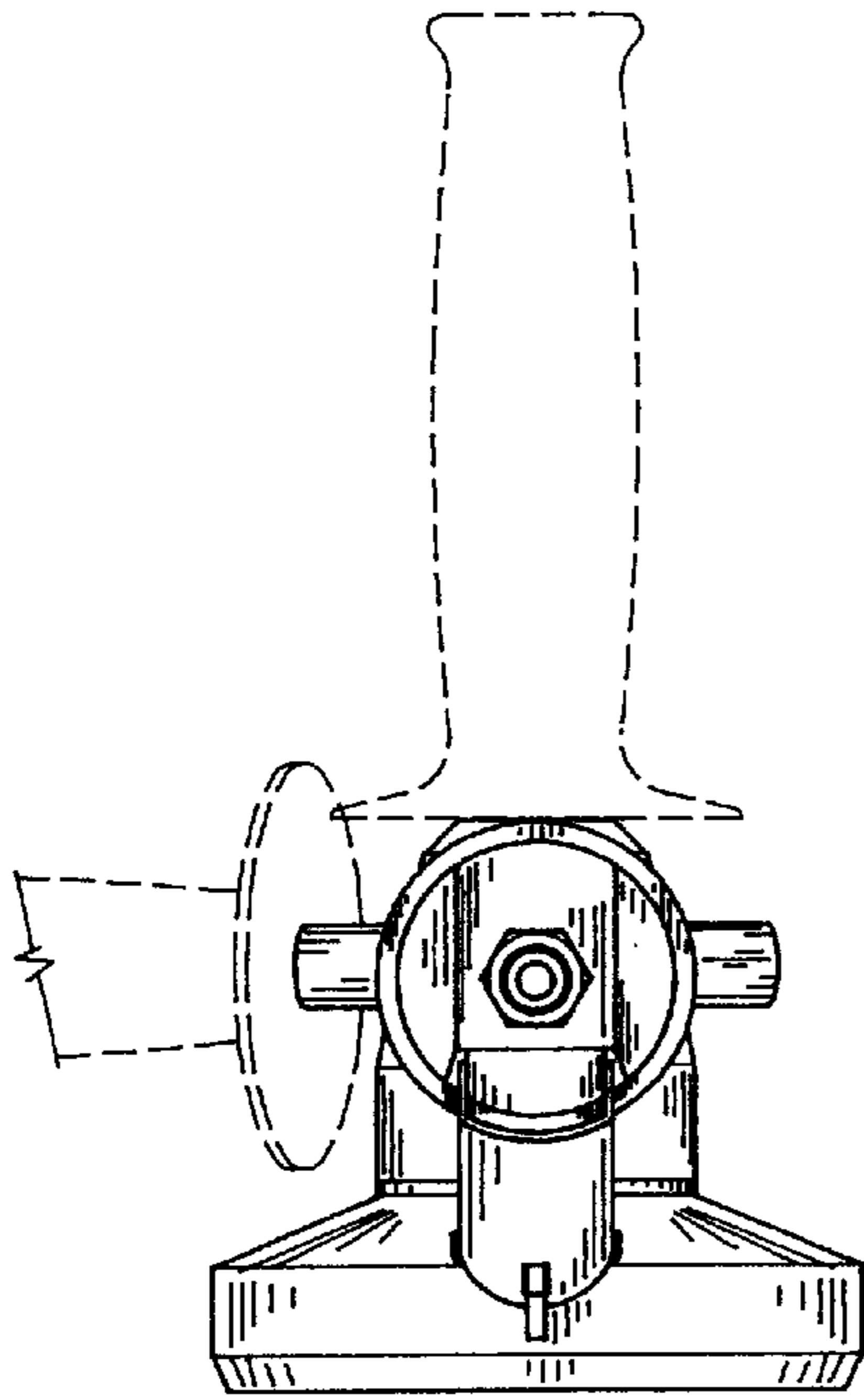


FIG. 4

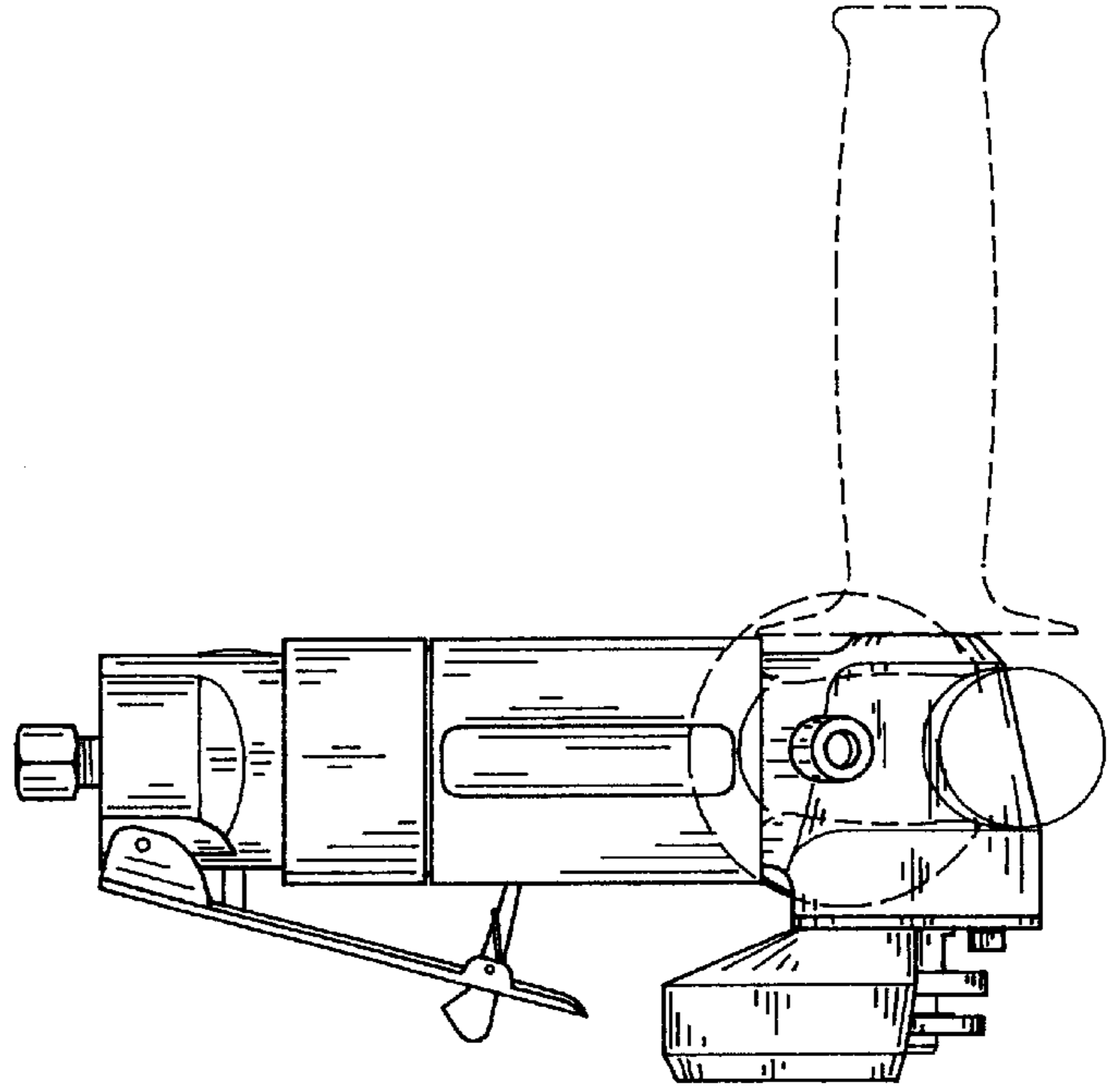


FIG. 5

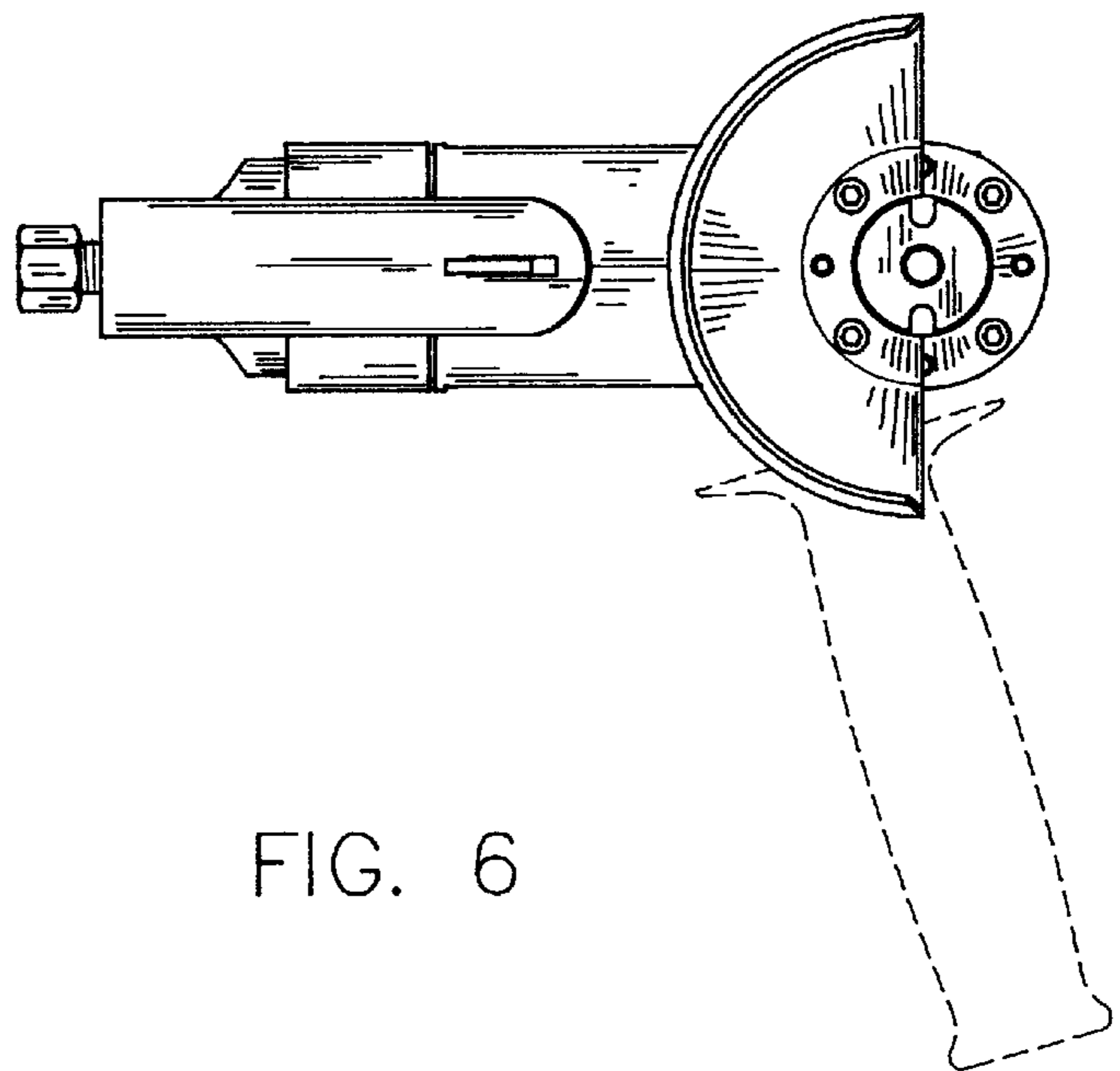


FIG. 6