



US00D472439S

(12) **United States Design Patent**
Chunn et al.

(10) **Patent No.:** **US D472,439 S**

(45) **Date of Patent:** **** Apr. 1, 2003**

(54) **PIVOT DRIVER**

(75) Inventors: **Daniel Alex Chunn**, Hong Kong (HK);
Benson Chun Kit Cheung, Hong Kong (HK)

(73) Assignee: **One World Technologies Limited**,
Hamilton (BM)

(**) Term: **14 Years**

(21) Appl. No.: **29/151,520**

(22) Filed: **Dec. 5, 2001**

(51) **LOC (7) Cl.** **08-04**

(52) **U.S. Cl.** **D8/61**

(58) **Field of Search** D8/25, 30, 61,
D8/62, 82, DIG. 7; 81/54, 57.11, 57.12,
57.13, 57.14, 57.29, 57.31, 57.39, 57.42,
63.1, 177.1, 177.4, 429, 469, 474; 173/169,
170, 182, 216, 217; 310/47, 50; 362/116,
120

(56) **References Cited**

U.S. PATENT DOCUMENTS

- 4,231,270 A * 11/1980 Totsu 310/50
- 4,522,270 A * 6/1985 Kishi 81/177.1
- D305,093 S * 12/1989 Hoshino et al. D8/61
- 4,912,349 A * 3/1990 Chang 310/50

- D308,622 S * 6/1990 Fushiya et al. D8/30
- 6,102,134 A * 8/2000 Alsrue 310/50
- D443,491 S * 6/2001 Robson D8/61

* cited by examiner

Primary Examiner—Doris V. Coles

Assistant Examiner—Elizabeth A. Albert

(74) *Attorney, Agent, or Firm*—Andrew Y. Pang; Nexsen
Pruet Jacobs & Pollad, LLC

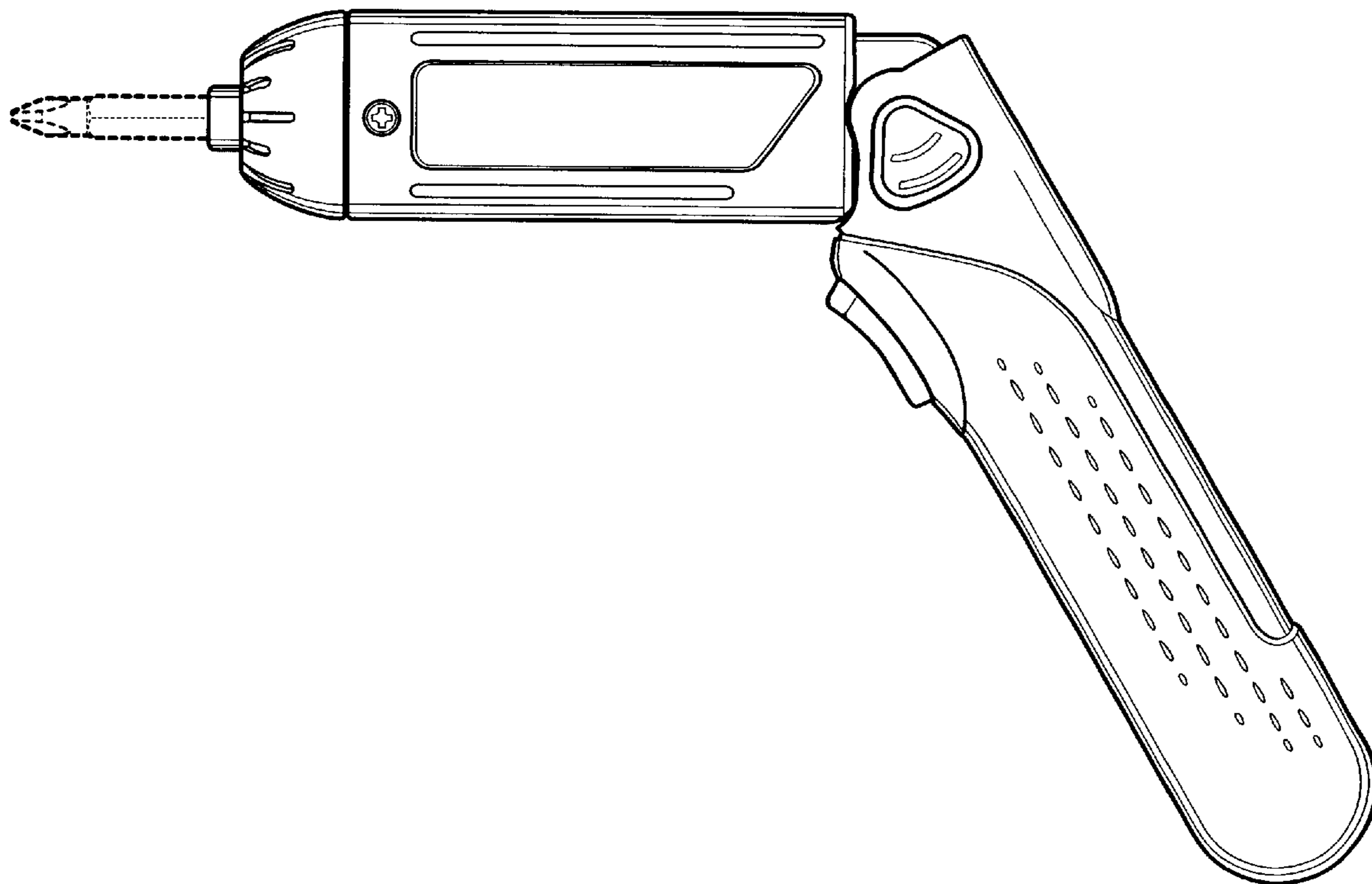
(57) **CLAIM**

The ornamental design for a pivot driver, as shown and described.

DESCRIPTION

FIG. 1 is a front perspective view of the pivot driver of the present invention;
 FIG. 2 is a left side view;
 FIG. 3 is a right side view,
 FIG. 4 is a top view;
 FIG. 5 is a bottom
 FIG. 6 is a front view;
 FIG. 7 is a rear view; and,
 FIG. 8 is a left side view in flexed condition.
 The broken lines showing environment in the drawings are for illustrative purposes only and form no part of the claimed design.

1 Claim, 3 Drawing Sheets



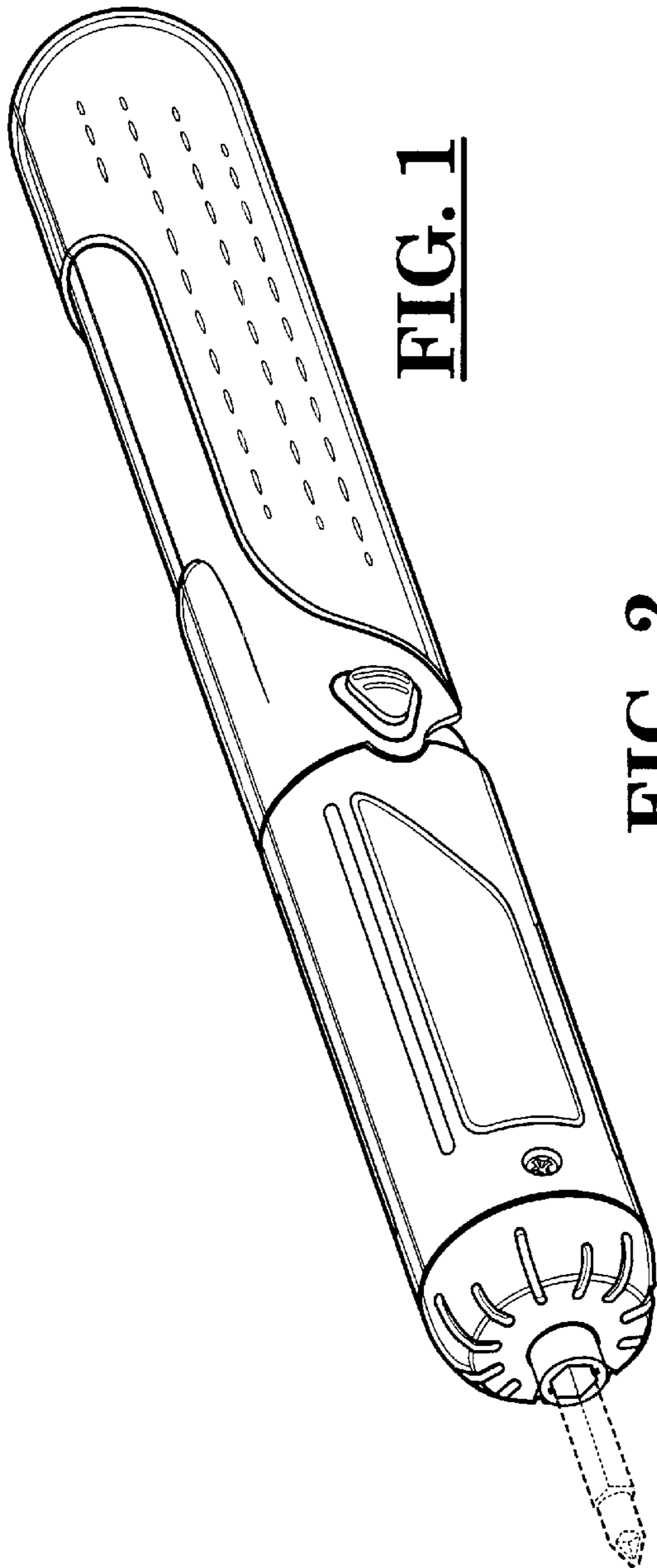


FIG. 1

FIG. 2

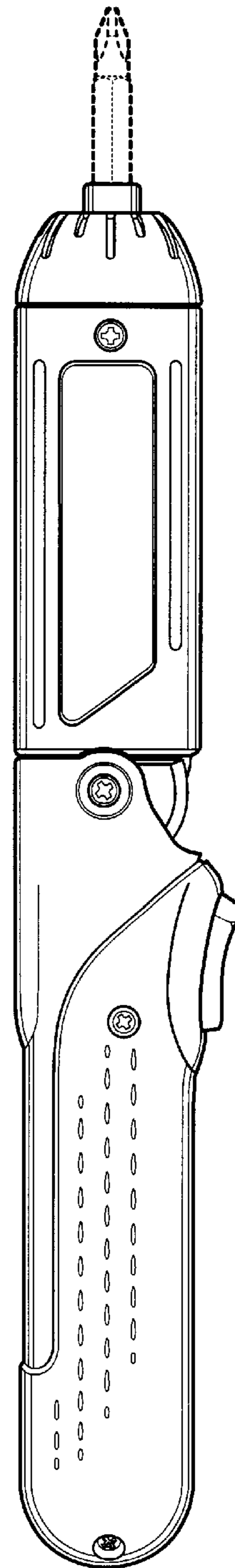
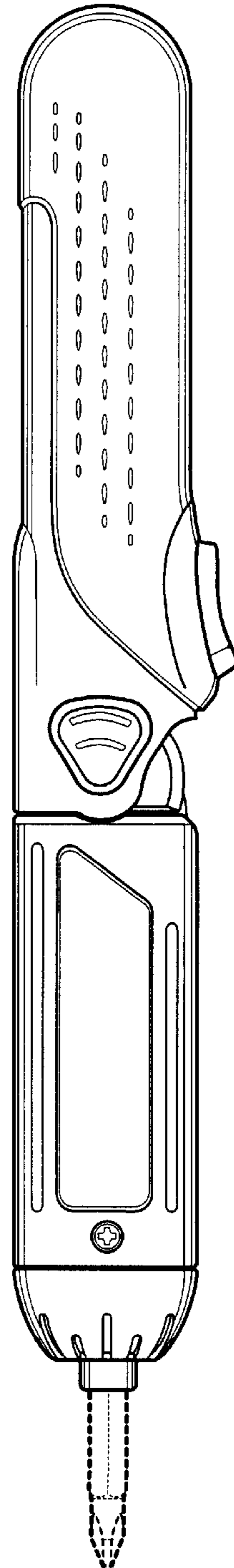


FIG. 3

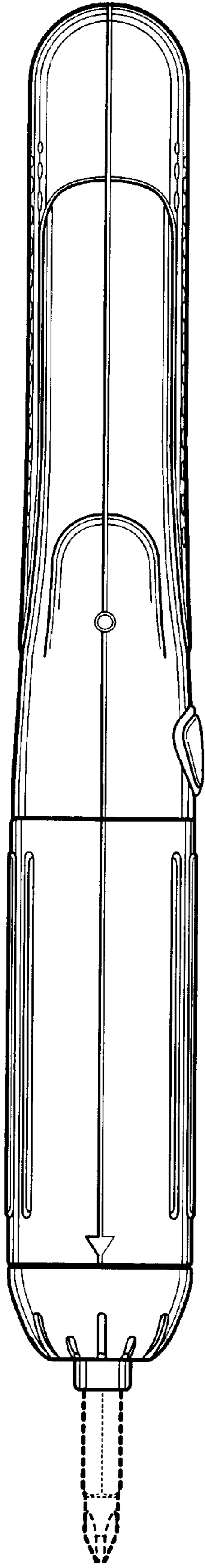


FIG. 4

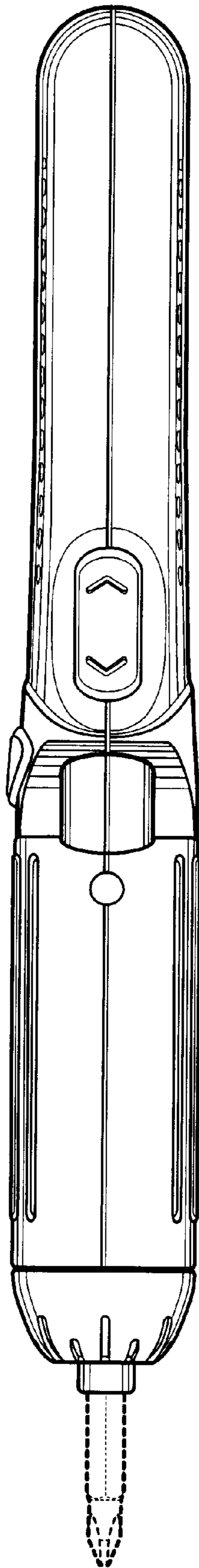


FIG. 5

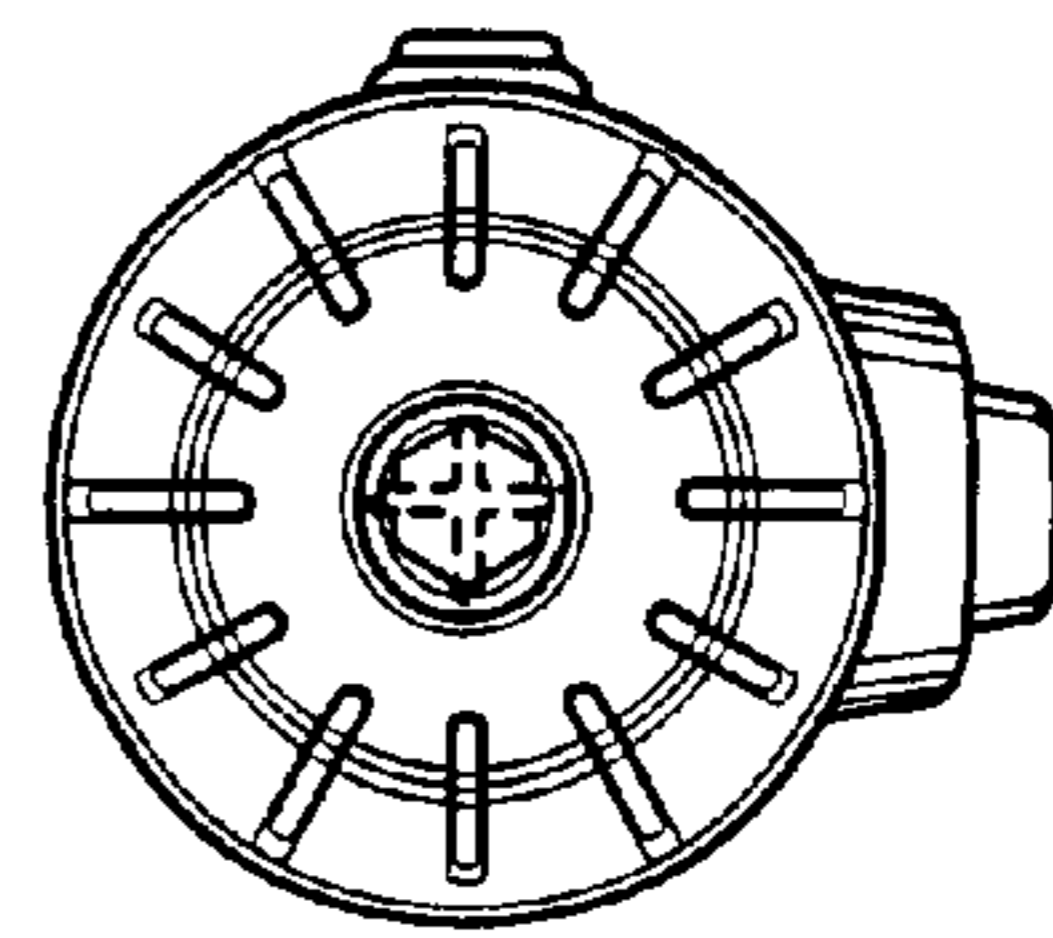


FIG. 6

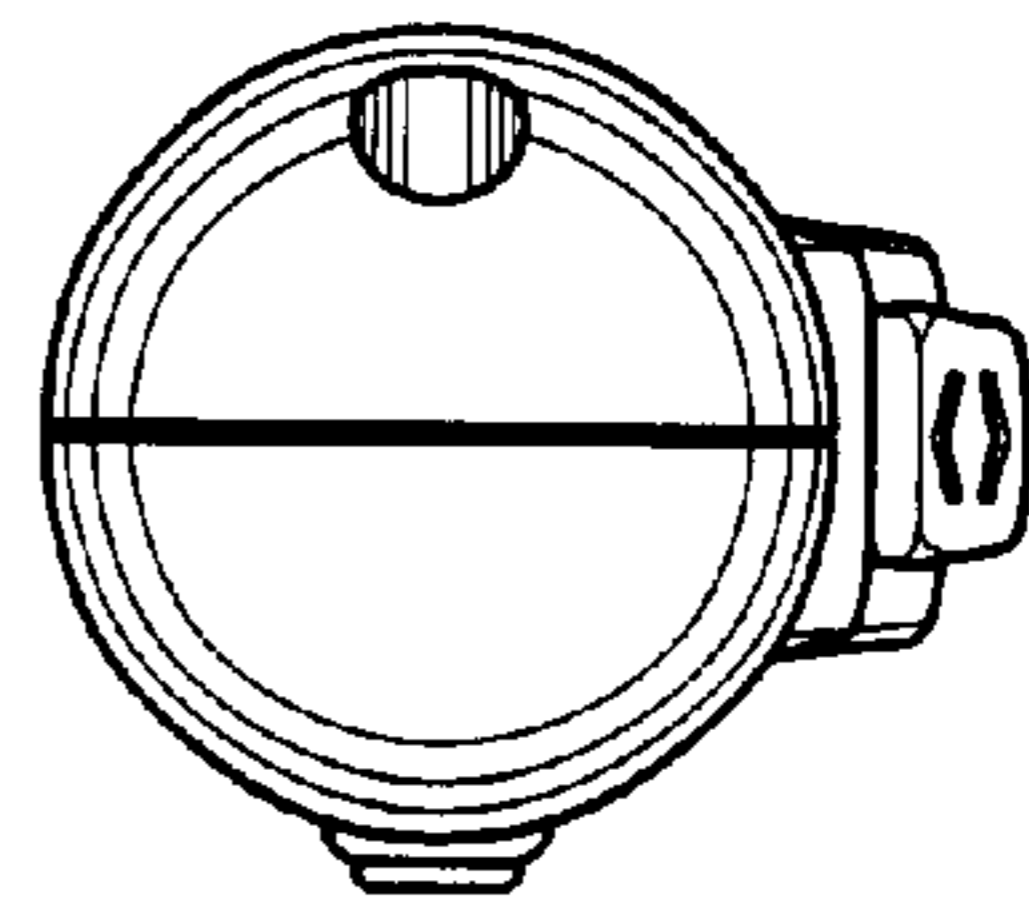


FIG. 7

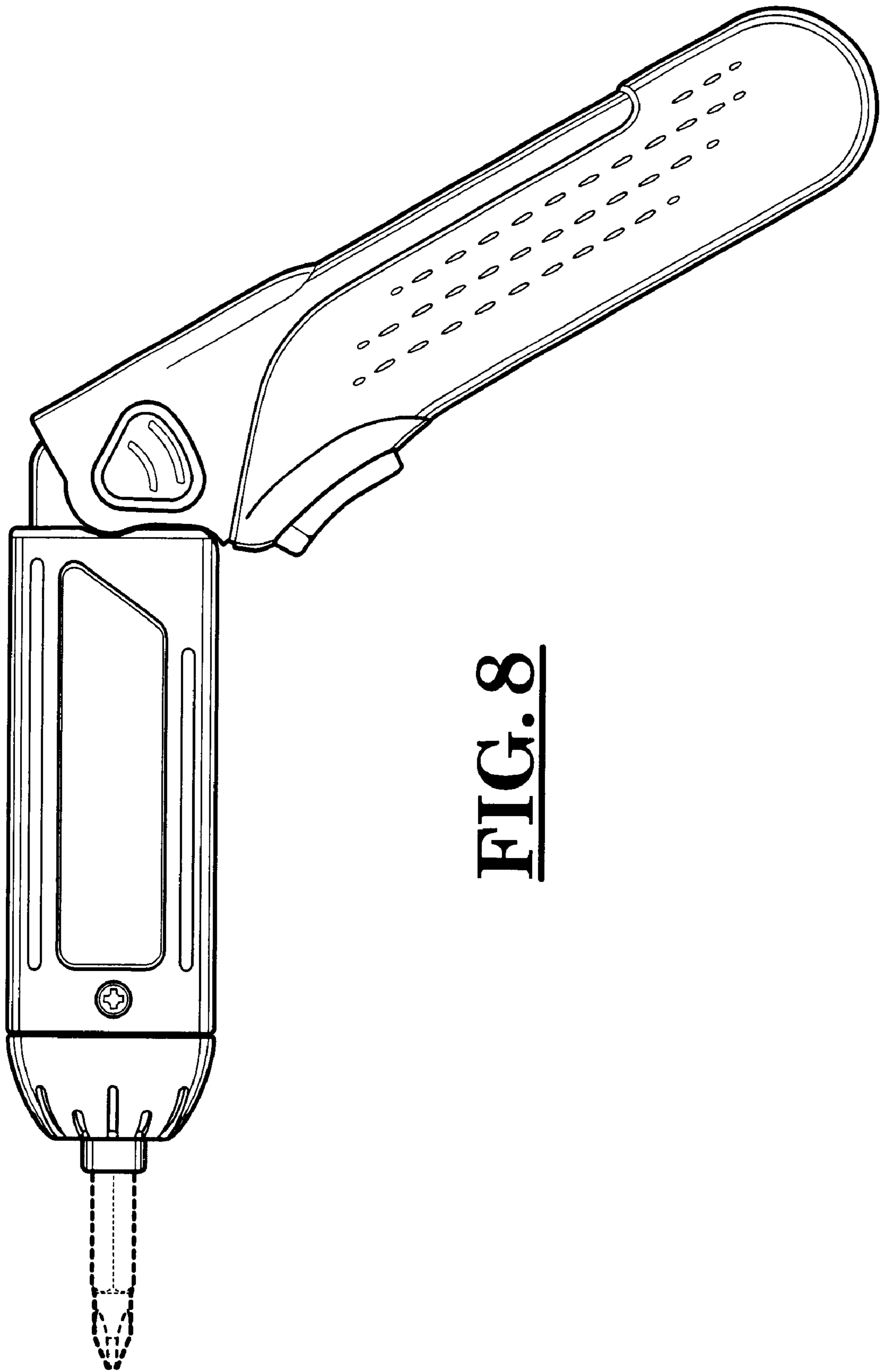


FIG. 8