



US00D472438S

(12) **United States Design Patent** (10) **Patent No.:** **US D472,438 S**
Peperkorn et al. (45) **Date of Patent:** **** Apr. 1, 2003**

(54) **LOCKING PLIERS WITH TOOLSET POCKET**

2,751,801 A	6/1956	Hostetter
2,777,347 A	1/1957	Sendoykas
2,815,728 A	3/1957	Fenimore
2,800,823 A	11/1957	Tugend
2,988,941 A	6/1961	Ortman
2,997,903 A	8/1961	Rommel et al.
3,104,571 A	9/1963	Trybus
3,190,155 A	6/1965	Ortman

(75) Inventors: **William D. Peperkorn**, DeWitt, NE (US); **Brian L. Rahe**, DeWitt, NE (US); **Thomas O. Miller**, DeWitt, NE (US)

(73) Assignee: **American Tool Companies, Inc.**, Hoffman Estates, IL (US)

(List continued on next page.)

(**) Term: **14 Years**

FOREIGN PATENT DOCUMENTS

(21) Appl. No.: **29/152,268**

AU	244474	4/1963
CA	463670	3/1950
CA	499110	1/1954
CA	642102	6/1962
DE	1954491	8/1978
EP	1023972 A2	8/2000
FR	976867	11/1950
FR	1255515	1/1960
WO	WO 97/34738	9/1997

(22) Filed: **Oct. 29, 2001**

(51) **LOC (7) Cl.** **08-05**

(52) **U.S. Cl.** **D8/52**

(58) **Field of Search** D8/52, 54-56, D8/105, 107; 81/342, 367, 370, 418, 420, 424.5, 427.5, 380, 390, 324, 486, 489; 7/125, 127; 29/229, 268

Primary Examiner—Alan P. Douglas
Assistant Examiner—Clare E. Heflin
(74) *Attorney, Agent, or Firm*—Brinks Hofer Gilson & Lione

(56) **References Cited**

U.S. PATENT DOCUMENTS

936,980 A	10/1909	Bing
2,156,529 A	5/1939	Day
2,250,400 A	7/1941	Stephens
2,312,947 A	3/1943	Westman
2,464,472 A	3/1949	Ward et al.
2,487,281 A	11/1949	Steckelberg
2,496,309 A	2/1950	Pugh
2,499,201 A	2/1950	Thayer
2,514,130 A	7/1950	Jones
2,523,385 A	9/1950	Mead
2,531,285 A	11/1950	Manspeaker
2,543,922 A	3/1951	Mead
2,584,952 A	2/1952	Westerman et al.
2,595,579 A	5/1952	Hawkins
2,600,594 A	6/1952	Williamson
2,617,312 A	11/1952	Prentice
2,618,188 A	11/1952	Emmett
2,661,648 A	2/1953	Jones
2,643,567 A	6/1953	Johnson
2,669,145 A	2/1954	Mead

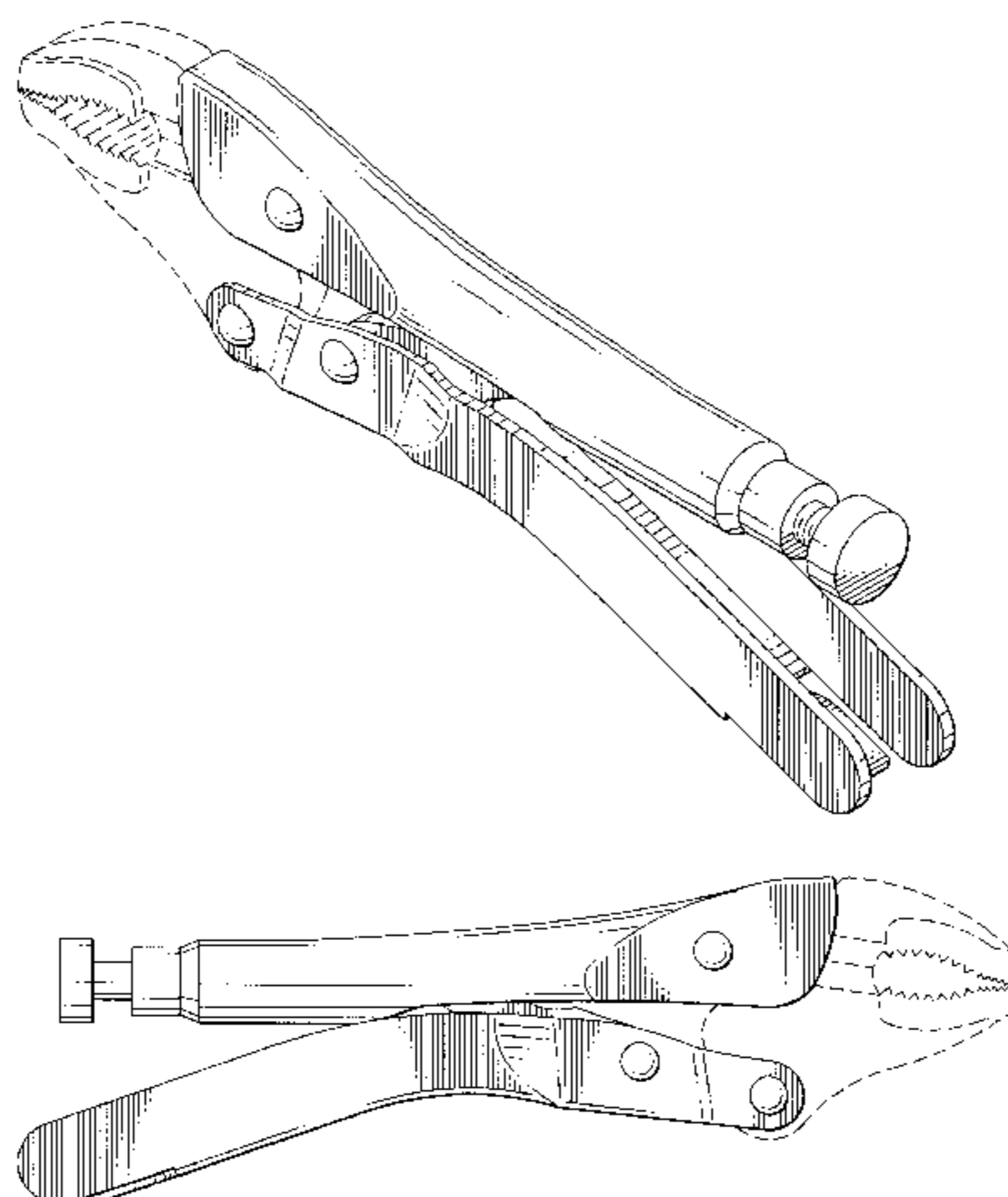
(57) **CLAIM**

The ornamental design for locking pliers with toolset pocket, as shown and described.

DESCRIPTION

FIG. 1 is a perspective view of an embodiment of the locking pliers with toolset pocket;
FIG. 2 is a top view of the embodiment of FIG. 1;
FIG. 3 is a bottom view of the embodiment of FIG. 1;
FIG. 4 is a side view of the embodiment of FIG. 1;
FIG. 5 is a side view of the embodiment of FIG. 1;
FIG. 6 is a rear view of the embodiment of FIG. 1; and,
FIG. 7 is a front view of the embodiment of FIG. 1.
The dotted lines indicate components for illustrative purposes only and form no part of the subject design.

1 Claim, 5 Drawing Sheets



US D472,438 S

Page 2

U.S. PATENT DOCUMENTS		
3,195,382 A	7/1965	Rommel et al.
3,208,319 A	9/1965	Westby et al.
3,252,360 A	5/1966	Ortman
3,262,343 A	7/1966	Weller
RE26,280 E	10/1967	Hostetter
3,354,759 A	11/1967	Cook
3,496,808 A	2/1970	Schmidt
3,545,316 A	12/1970	Patrick
3,590,669 A	7/1971	Marasco
3,600,986 A	8/1971	Baldwin, Jr.
3,657,948 A	4/1972	Myers
3,657,949 A	4/1972	Myers
3,793,914 A	2/1974	Helms
RE32,614 E	3/1988	Wilson
4,820,901 A	4/1989	Peviani
4,888,869 A	12/1989	Leatherman
4,889,021 A	12/1989	Morrison
4,893,530 A	1/1990	Warheit
5,060,543 A	10/1991	Warheit
5,197,359 A	3/1993	Mills
5,251,353 A	10/1993	Lin
5,385,072 A	1/1995	Neff
5,435,214 A	7/1995	Sisson
5,644,960 A	7/1997	O'Brien
5,697,114 A	12/1997	McIntosh et al.
5,781,950 A	7/1998	Swinden et al.
5,791,002 A	8/1998	Gardiner et al.
5,916,277 A	6/1999	Dallas
5,960,498 A	10/1999	Nabors et al.
5,963,999 A	10/1999	Gardiner et al.
5,979,059 A	11/1999	Leatherman et al.
5,979,959 A	11/1999	Rivera
6,006,385 A	12/1999	Kershaw et al.
6,009,582 A	1/2000	Harrison et al.
6,012,361 A	1/2000	Wooster, Jr. et al.
6,014,917 A	1/2000	Bally et al.
6,038,723 A	3/2000	Nabors et al.
D428,317 S	7/2000	Lin
6,095,019 A	8/2000	Warheit et al.
6,105,189 A	8/2000	Nabors et al.
6,108,845 A	8/2000	Hung et al.
6,155,142 A	12/2000	Bally et al.
6,178,855 B1	1/2001	Bally et al.
D437,756 S	2/2001	Lin
6,199,458 B1	3/2001	Wrigley et al.
6,212,977 B1	4/2001	Liou
D458,821 S *	6/2002	Peperkorn et al. D8/52
D458,822 S *	6/2002	Peperkorn et al. D8/52

* cited by examiner

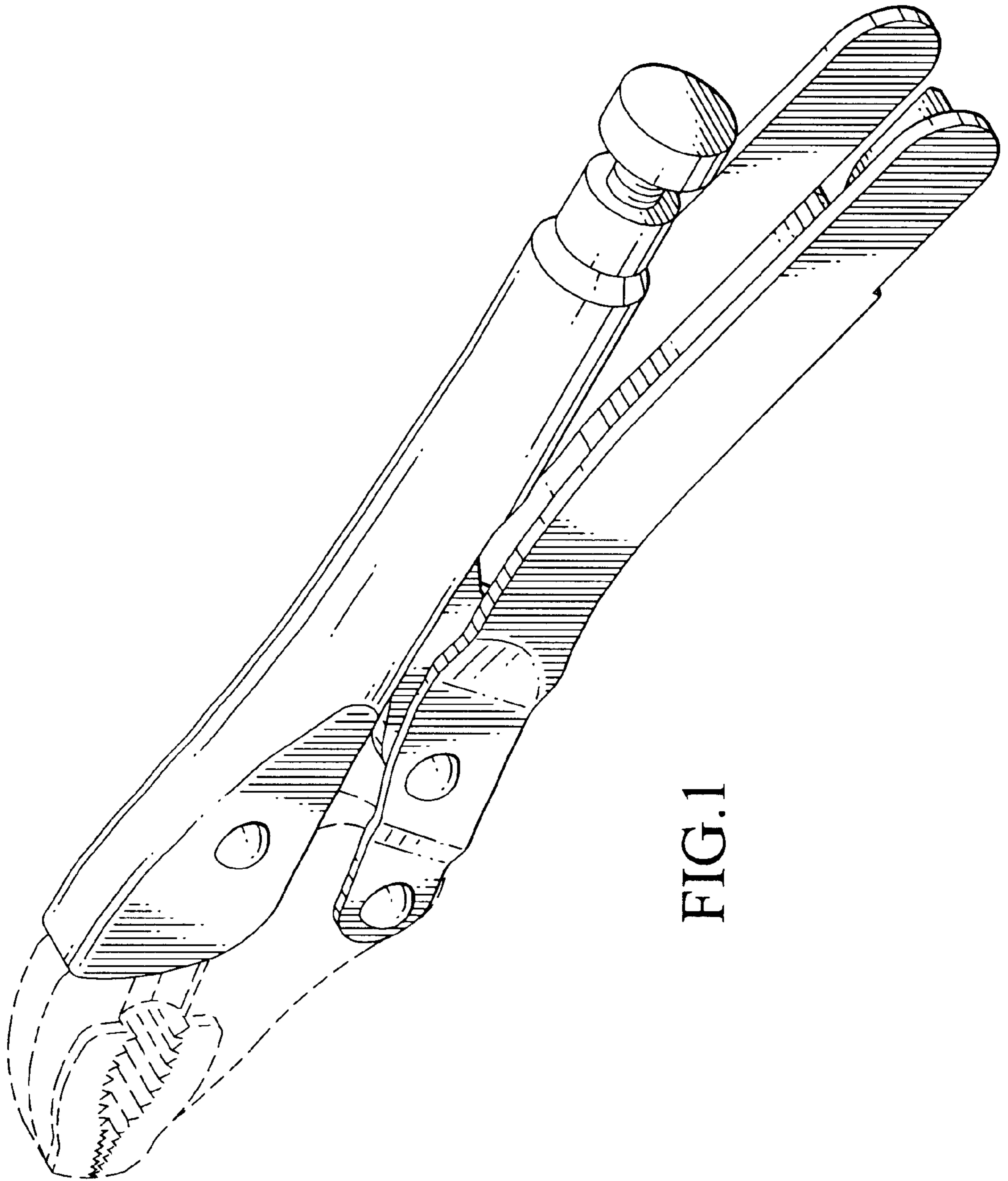


FIG. 1

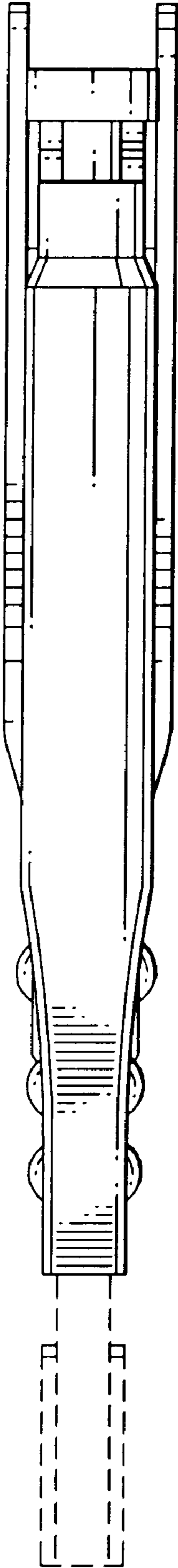


FIG. 2

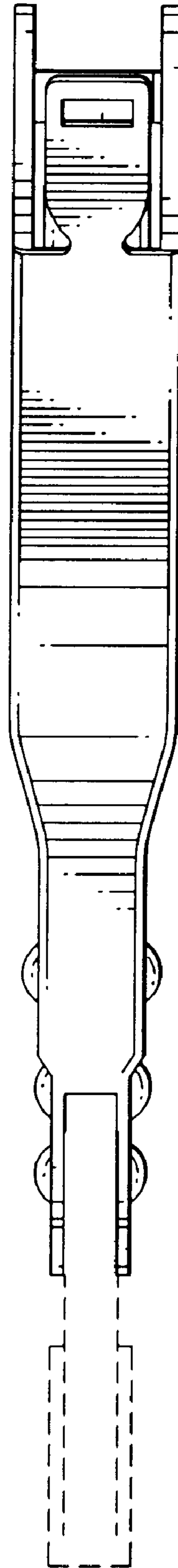


FIG. 3

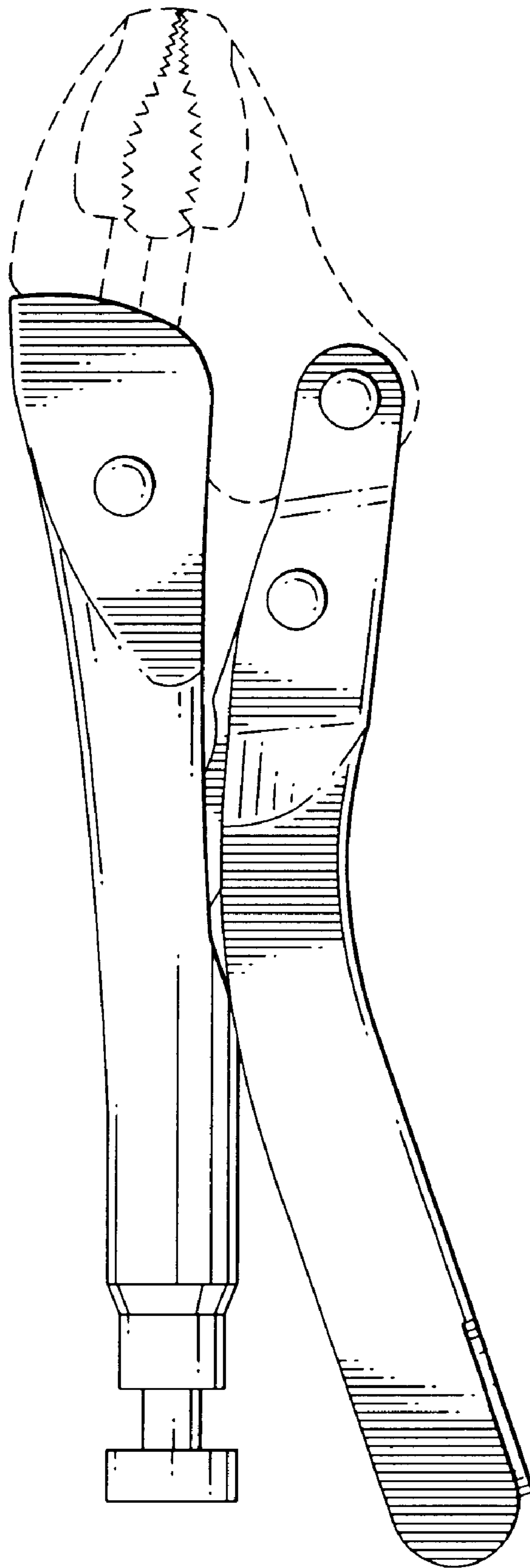


FIG.4

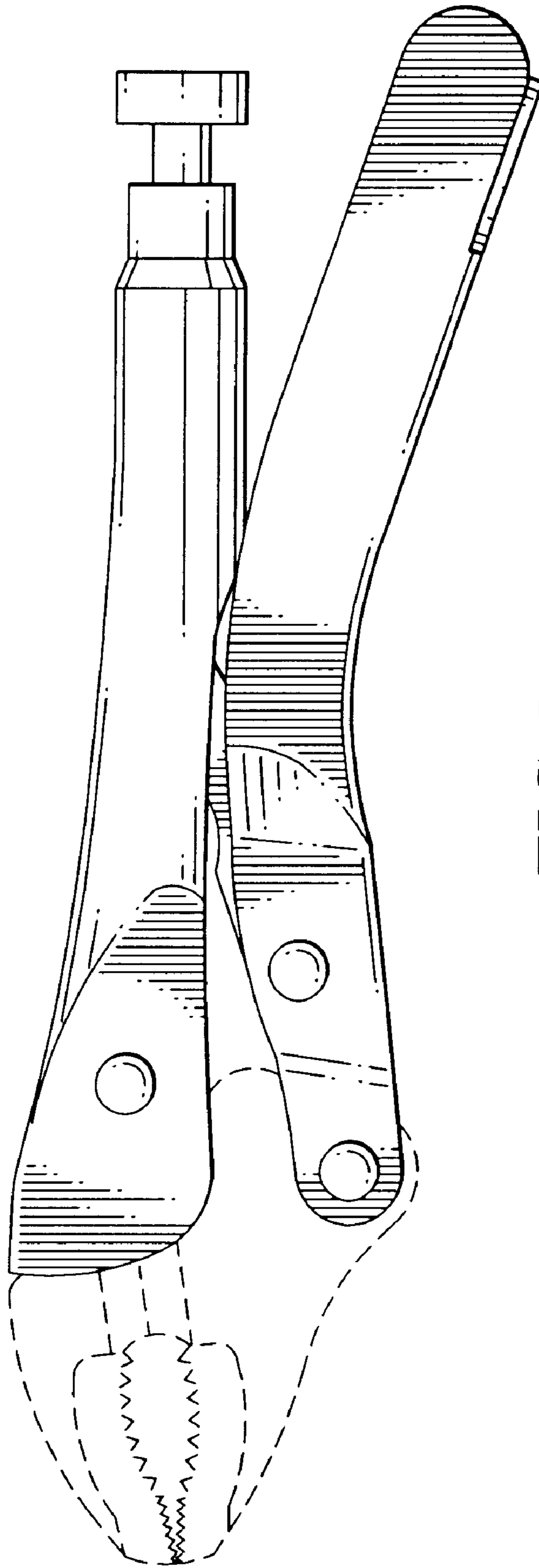


FIG. 5

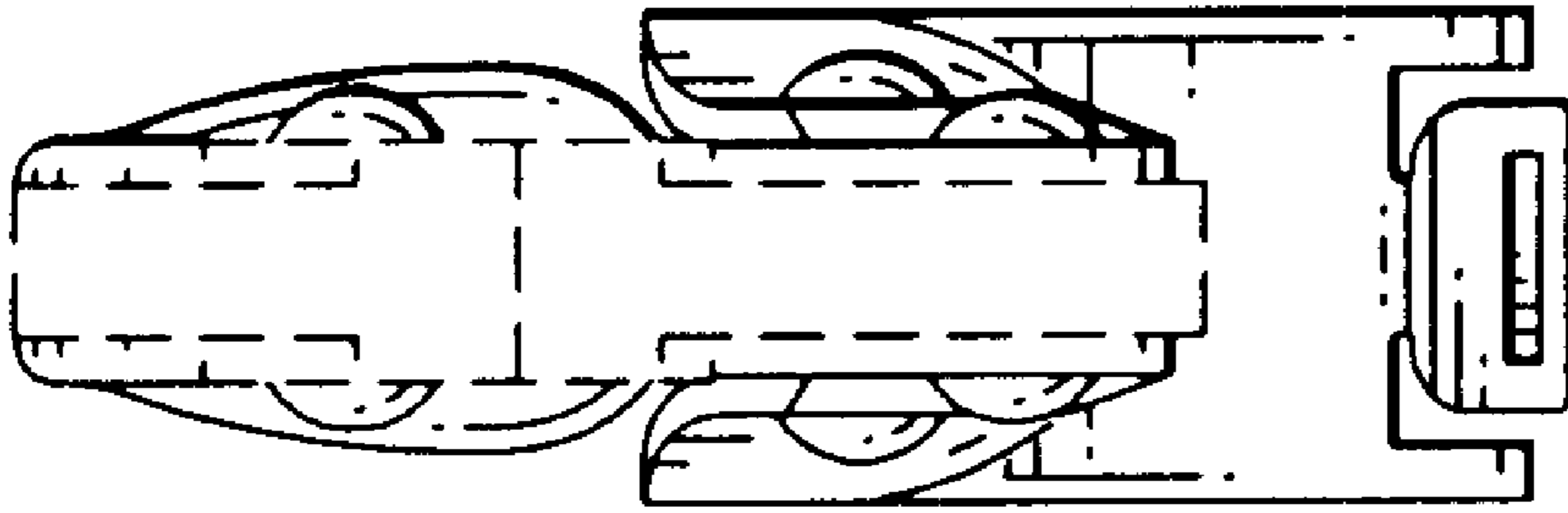


FIG. 6

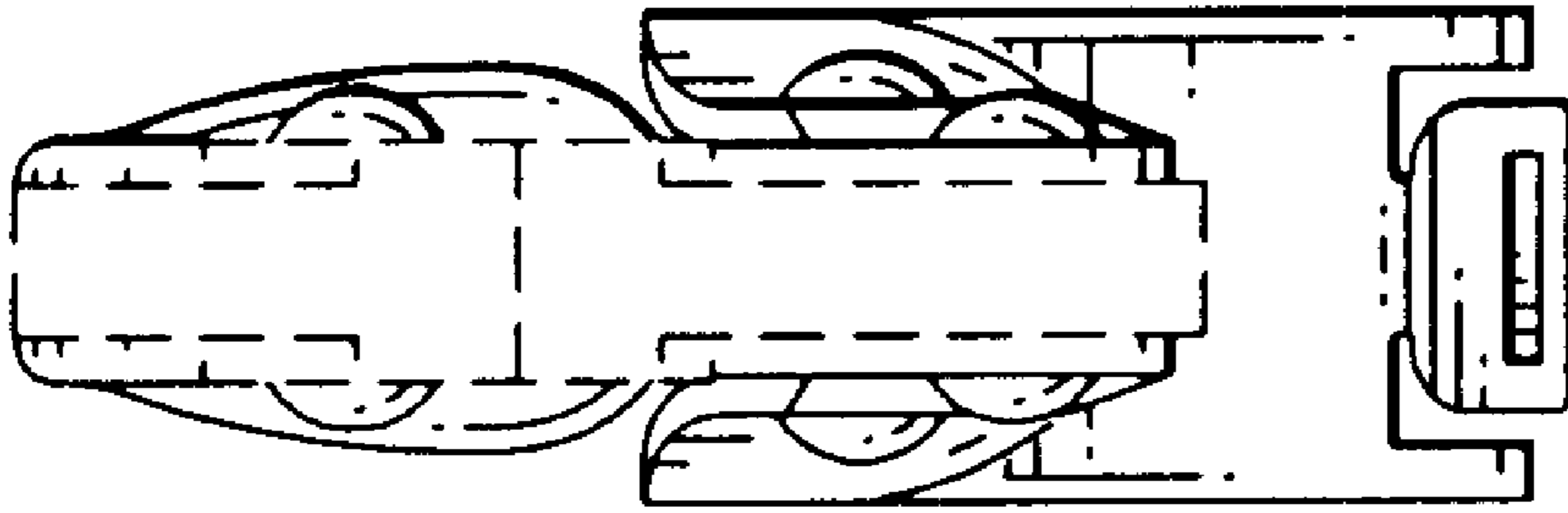


FIG. 7