



US00D472435S

(12) **United States Design Patent**
Kelleghan

(10) **Patent No.:** **US D472,435 S**

(45) **Date of Patent:** **** Apr. 1, 2003**

(54) **STAR END TOOL**

(75) **Inventor:** **Brian James Kelleghan**, Longmont,
CO (US)

(73) **Assignee:** **Bison Designs, L.L.C.**, Longmont, CO
(US)

(**) **Term:** **14 Years**

(21) **Appl. No.:** **29/165,099**

(22) **Filed:** **Aug. 5, 2002**

(51) **LOC (7) Cl.** **07-99**

(52) **U.S. Cl.** **D8/38**

(58) **Field of Search** D8/33-43, 18,
D8/19, 16; 30/400-443; 81/3.07-3.49; 7/151-156;
D3/208, 211, 210; D11/70

(56) **References Cited**

U.S. PATENT DOCUMENTS

D14,583 S	*	1/1884	Marcus	D11/70
D34,096 S	*	2/1901	Stephens	D8/18
706,911 A	*	8/1902	Dunham	7/151
805,486 A	*	11/1905	Rosenheimer	7/151
D42,306 S	*	3/1912	Sommer	D8/18
D44,226 S	*	6/1913	Vaughan	D8/18
D46,298 S	*	8/1914	Sommer	D8/18
D46,762 S	*	12/1914	Vaughan	D8/18
D47,096 S	*	3/1915	Baumann	D8/34
D47,144 S	*	3/1915	Pfister	D27/196
D85,035 S	*	9/1931	Ekstedt	D3/211
D97,242 S	*	10/1935	Rubenstein	D11/1
D97,570 S	*	11/1935	Trollen	D3/210
D105,901 S	*	8/1937	Schwartz	D3/211
D143,233 S	*	12/1945	Moore	D8/43
D149,645 S	*	5/1948	Johansen	D8/40
2,542,329 A	*	2/1951	Hammond et al.	81/3.57
D196,251 S	*	9/1963	Piel	D8/41
D222,659 S	*	11/1971	Hillis	D8/40
D255,279 S	*	6/1980	Graves	D99/27
4,617,842 A	*	10/1986	Yang	81/3.09
D296,650 S	*	7/1988	Marx	D8/14
4,765,208 A	*	8/1988	Sakosky	81/3.55
4,864,898 A	*	9/1989	Tricinella	81/3.09

4,976,172 A	*	12/1990	Thomas et al.	81/3.09
D356,237 S	*	3/1995	White	D8/34
D368,006 S	*	3/1996	Aldrich	D8/14
D405,717 S	*	2/1999	Doughty et al.	D11/124
D428,670 S	*	7/2000	Tsai	D28/40
D428,783 S	*	8/2000	Precetti et al.	D8/40
D432,377 S	*	10/2000	Nagy	D8/40
D438,768 S	*	3/2001	Chiu	D8/40
D448,552 S	*	10/2001	Richards	D3/210
D454,287 S	*	3/2002	Wolf	D8/40

OTHER PUBLICATIONS

U.S. patent application Ser. No. 29/154,575, Kelleghan, filed Jan. 25, 2002.

U.S. patent application Ser. No. 29/154,591, Kelleghan, filed Jan. 25, 2002.

U.S. patent application Ser. No. 29/154,590, Kelleghan, filed Jan. 25, 2002.

U.S. patent application Ser. No. 29/154,544, Kelleghan, filed Jan. 25, 2002.

U.S. patent application Ser. No. 29/154,353, Kelleghan, filed Jan. 10, 2001.

(List continued on next page.)

Primary Examiner—Jeffrey Asch

(74) *Attorney, Agent, or Firm*—Rick Martin; Patent Law Offices of Rick Martin, P.C.

(57) **CLAIM**

The ornamental design for a star end tool, as shown and described.

DESCRIPTION

FIG. 1 is a plan view of the top side and bottom sides, which are mirror images of each other, of my new design for a star end tool.

FIG. 2 is a right side elevation view of FIG. 1.

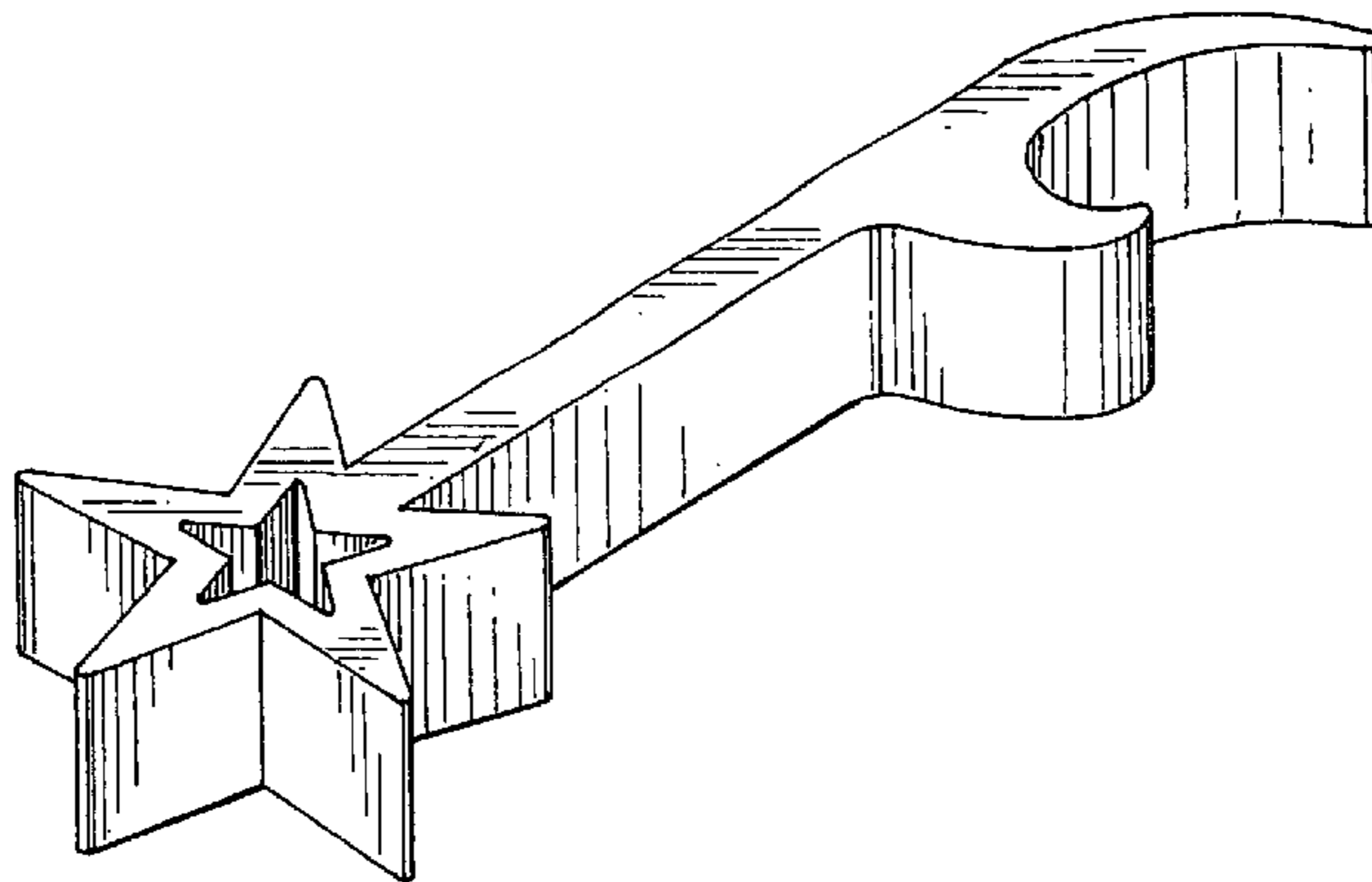
FIG. 3 is a left side elevation view of FIG. 1.

FIG. 4 is a front side elevation view of FIG. 1.

FIG. 5 is a rear side elevation view of FIG. 1; and,

FIG. 6 is a top perspective view FIG. 1.

1 Claim, 1 Drawing Sheet



OTHER PUBLICATIONS

Article from web page . <http://www.artedesigngroup.com>, visited Jun. 24, 2002, BCOKC Bottle/Can Opener Key Chain.

Article from web page. <http://www.omegapacificpromotions.com>, visited Jun. 24, 2002, Bottle Openers, "Key" and "Cycle Wrench".

Article from web page. <http://www.bisondesigns.com/aluminum/openers/standard>, visited Oct. 28, 2002, The New Standard in Key Chain Bottle Openers.

Article from web page. <http://www.bisondesigns.com/aluminum/openers/doublewide>, visited Oct. 28, 2002, Need More Power to Get Those Bottles Open? Try A Double Wide!.

* cited by examiner



FIG. 4

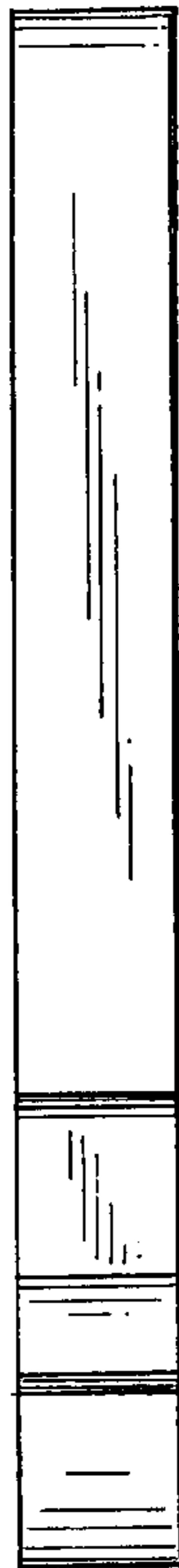


FIG. 2

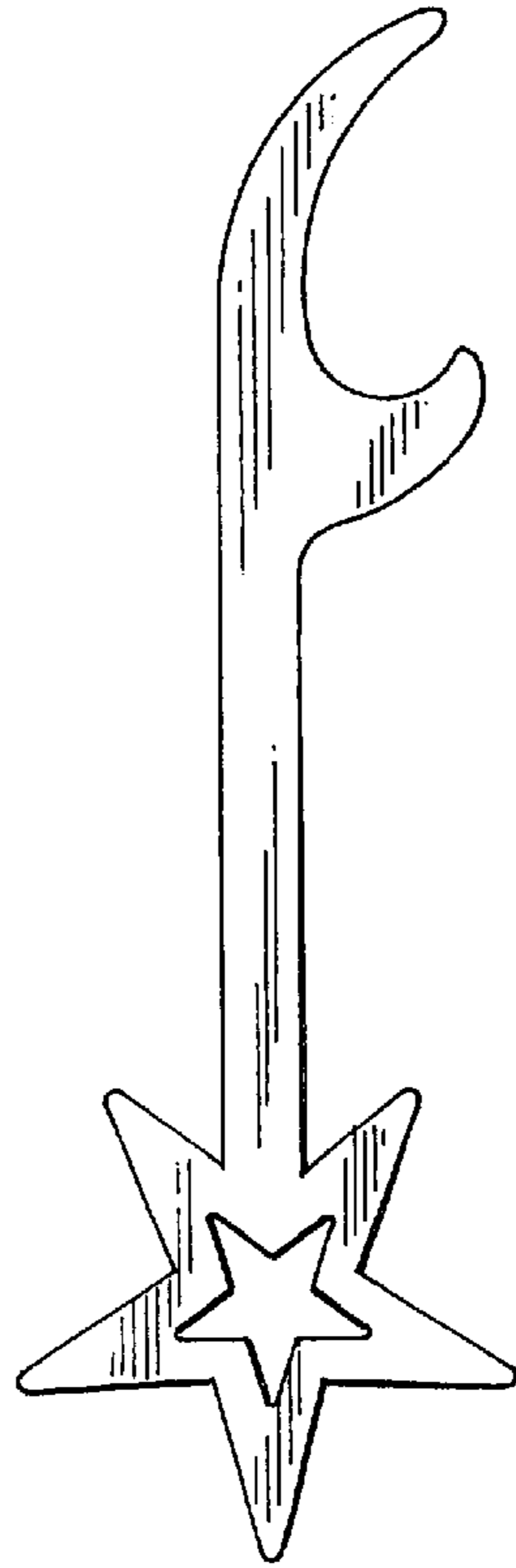


FIG. 1



FIG. 3



FIG. 5

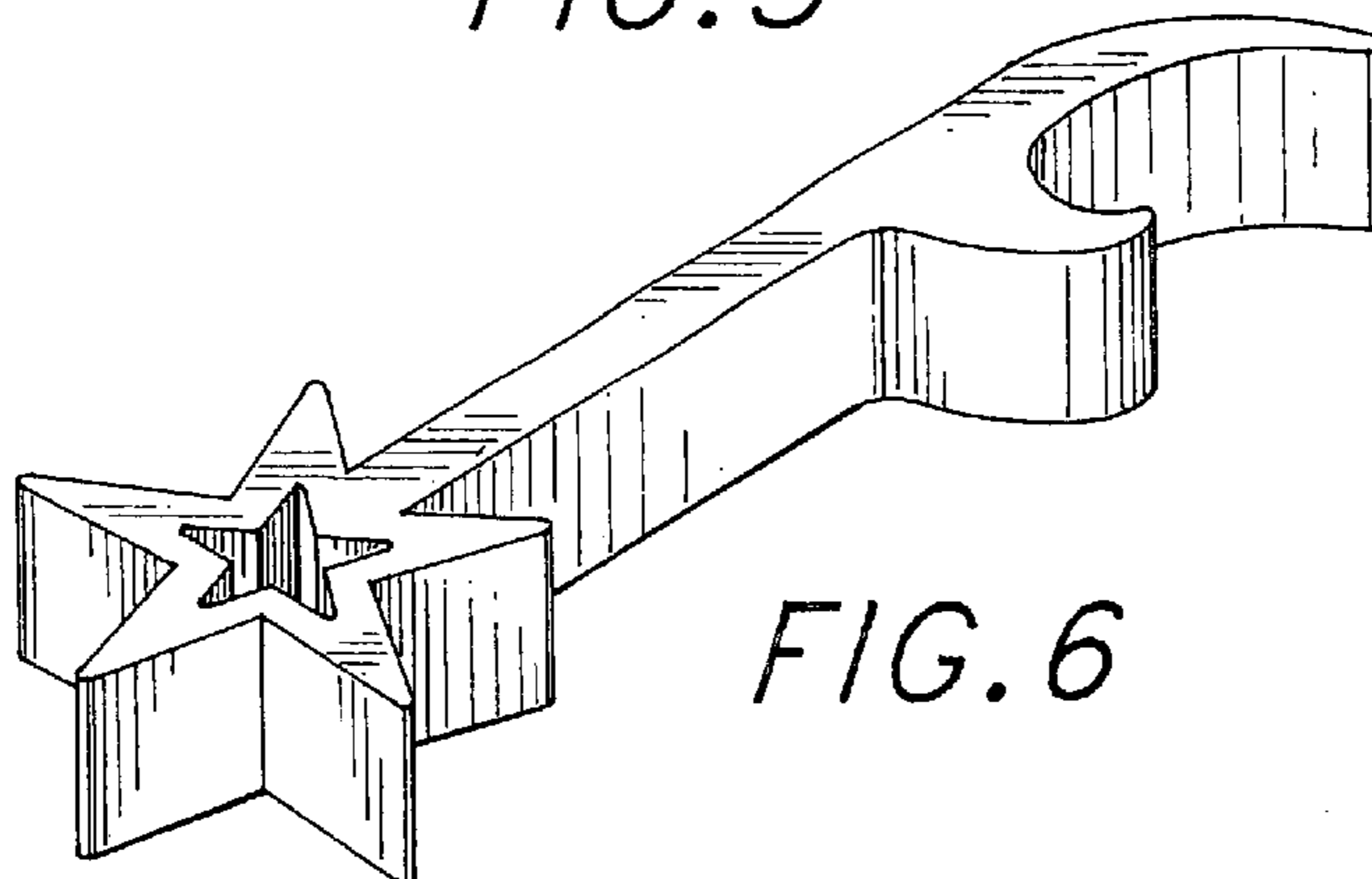


FIG. 6