



US00D472434S

(12) **United States Design Patent**  
**Trempala**

(10) **Patent No.:** **US D472,434 S**

(45) **Date of Patent:** **\*\* Apr. 1, 2003**

(54) **CONTOURED SOCKET HEAD FOR A KEY**

(75) Inventor: **Dohn J. Trempala**, Corona del Mar, CA (US)

(73) Assignee: **Knox Company**, Irvine, CA (US)

(\*\*) Term: **14 Years**

(21) Appl. No.: **29/160,270**

(22) Filed: **May 7, 2002**

**Related U.S. Application Data**

(62) Division of application No. 29/143,234, filed on Jun. 8, 2001, now Pat. No. Des. 456,702, which is a continuation of application No. 29/129,929, filed on Sep. 25, 2000, now Pat. No. Des. 448,982, which is a division of application No. 29/110,116, filed on Aug. 31, 1999, now Pat. No. Des. 440,838, which is a continuation of application No. 09/247,665, filed on Feb. 9, 1999.

(60) Provisional application No. 60/074,156, filed on Feb. 9, 1998.

(51) **LOC (7) Cl.** ..... **08-05**

(52) **U.S. Cl.** ..... **D8/21; D8/387**

(58) **Field of Search** ..... **D8/21-29, 382-399, D8/63; 81/124.7, 176.15, 460, 461, 9.51, 436, 468, 63; 411/410, 281**

(56) **References Cited**

**U.S. PATENT DOCUMENTS**

703,016 A	6/1902	Tash
737,667 A	9/1903	Schunck
1,349,610 A	8/1920	Gibney
2,283,371 A	5/1942	Johnson
2,463,138 A	3/1949	Bamberg
2,777,353 A	1/1957	Willis
D192,653 S	4/1962	Madeira
3,136,148 A	6/1964	Nehls
D206,455 S	12/1966	Thompson
3,361,460 A	1/1968	Jansen
3,695,139 A	10/1972	Howe
3,738,691 A	6/1973	Firth
3,855,882 A	12/1974	Wittmann
3,914,966 A	10/1975	Bello

(List continued on next page.)

*Primary Examiner*—Raphael Barkai

(74) *Attorney, Agent, or Firm*—Knobbe, Martens, Olson & Bear, LLP

(57) **CLAIM**

The ornamental design for a contoured socket head for a key, as shown and described.

**DESCRIPTION**

FIG. 1 is a perspective view of a key with a mating keyhead, the key and the mating keyhead configured in accordance with a preferred embodiment of the present invention;

FIG. 2 is a left side view of the key with a mating keyhead of FIG. 1, the figure having a broken-out section to illustrate the mating keyhead, the right side view of the key with a mating keyhead being a mirror image of the left side view;

FIG. 3 is a bottom side view of the key with a mating keyhead of FIG. 1;

FIG. 4 is a top side view of the key with a mating keyhead of FIG. 1;

FIG. 5 is a handle end view of the key with a mating keyhead of FIG. 1;

FIG. 6 is a keyhead end view of the key with a mating keyhead of FIG. 1;

FIG. 7 is a perspective view of a locking pipe cap showing a socket configured in accordance with a preferred embodiment of the present invention;

FIG. 8 is an end view of the socket of FIG. 8;

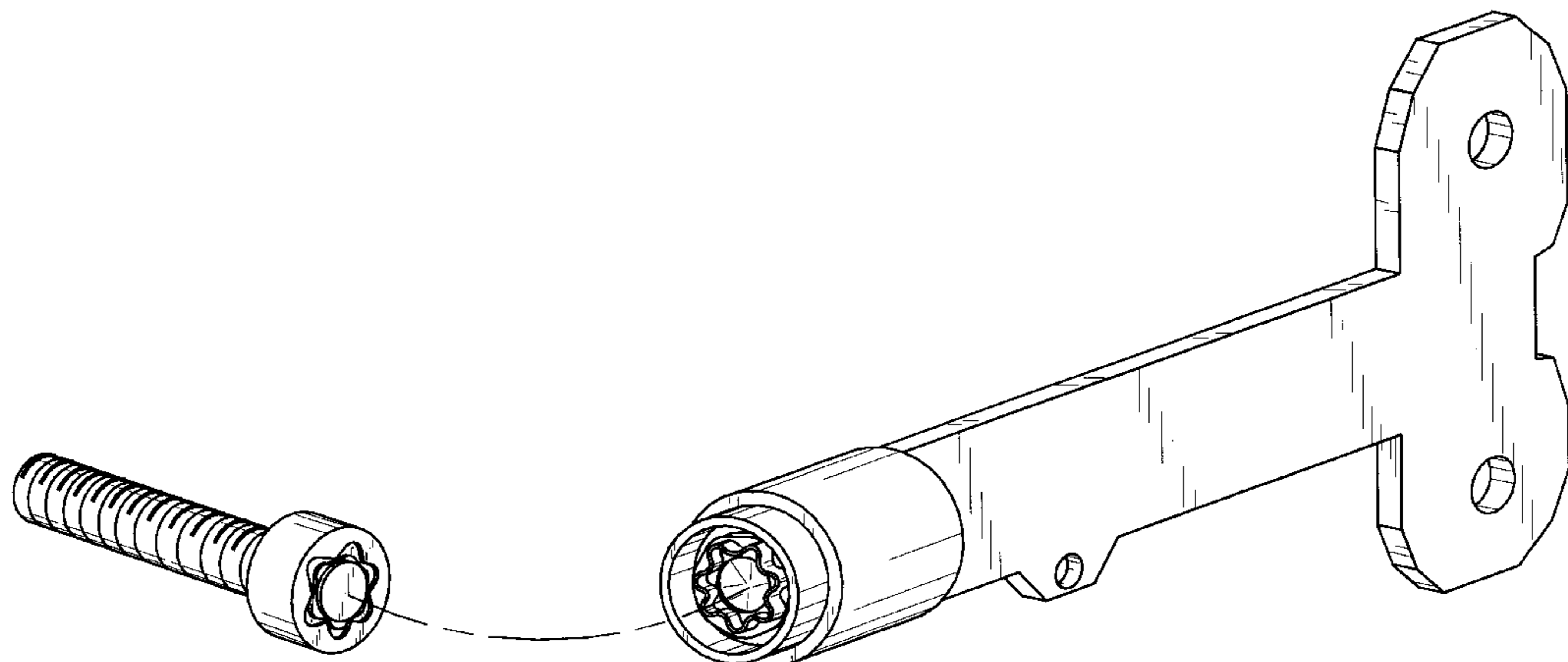
FIG. 9 is a partially sectioned side view of the socket of FIG. 8 taken along the line 9—9; and,

FIG. 10 is a perspective view showing the key and keyhead in close proximity to the socket.

The parts of the design have been shown separately for ease of illustration only.

The elements illustrated in dashed lines in the accompanying drawings are considered environmental and do not form a part of the claimed design.

**1 Claim, 4 Drawing Sheets**



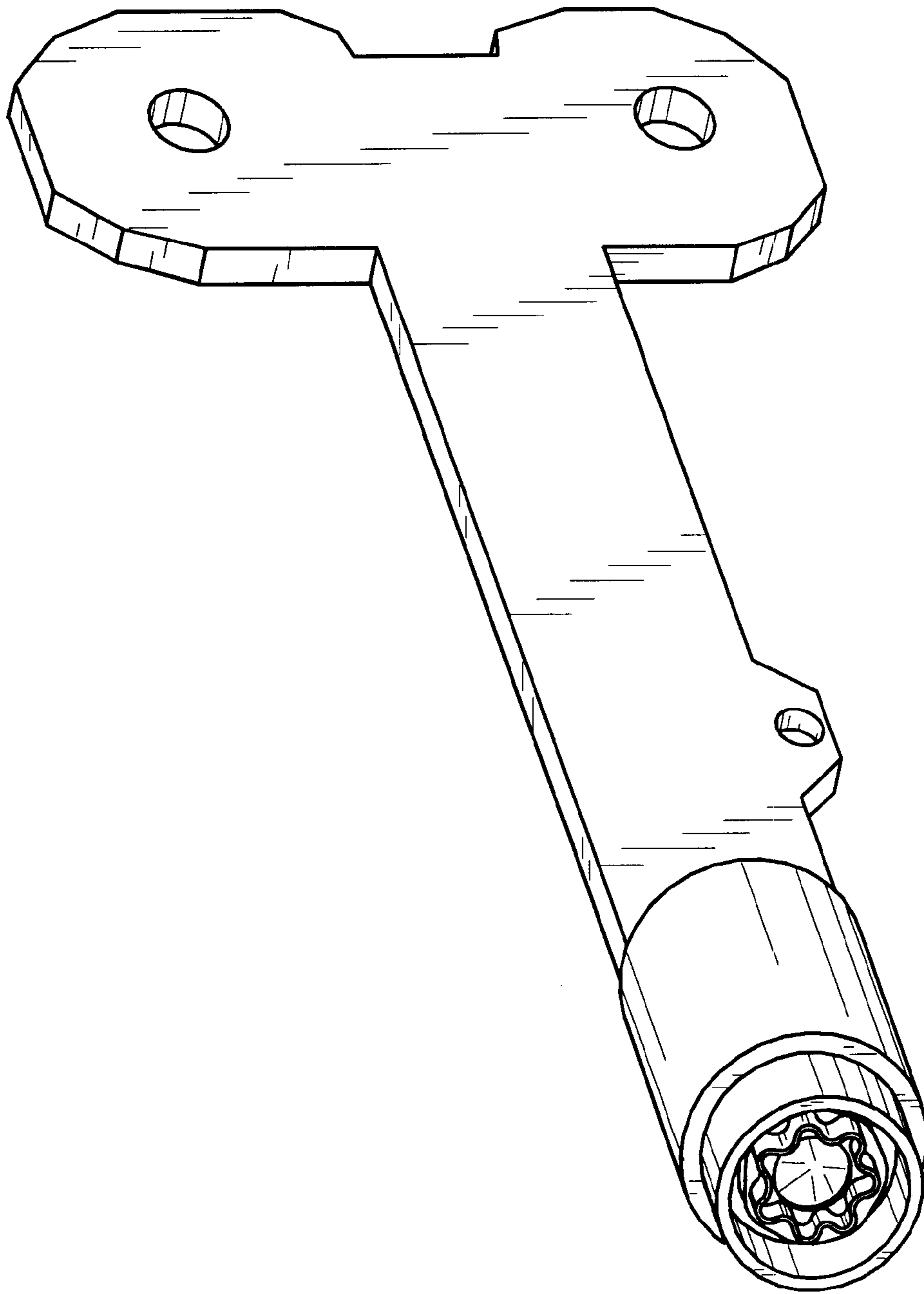
# US D472,434 S

Page 2

---

## U.S. PATENT DOCUMENTS

3,915,335 A	10/1975	Shanklin et al.	5,072,750 A	12/1991	Poms et al.
4,022,536 A	5/1977	Piepho et al.	5,295,831 A	3/1994	Patterson et al.
4,140,413 A	2/1979	Conrad	5,383,495 A	1/1995	Kennedy
4,141,574 A	2/1979	Stansifer et al.	5,419,650 A	5/1995	Hoshino
4,172,606 A	10/1979	Howe	5,462,381 A	10/1995	DeWachter et al.
4,182,361 A	1/1980	Oakey	5,549,133 A	8/1996	Sigelakis
4,184,516 A	1/1980	Oesterritter et al.	5,588,460 A	12/1996	Meneses
4,351,446 A	9/1982	Madden	5,632,301 A	5/1997	Julicher
4,459,074 A	7/1984	Capuano	5,732,301 A	3/1998	Toyoda et al.
4,526,193 A	7/1985	Drach	5,803,110 A	9/1998	Segal
4,527,407 A	7/1985	Shanklin	D400,769 S	11/1998	Duke
4,566,481 A	1/1986	Leopold, Jr. et al.	5,868,047 A	2/1999	Faust et al.
4,602,654 A	7/1986	Stehling et al.	5,904,057 A	5/1999	Abney, III et al.
4,633,896 A	1/1987	Bainbridge et al.	D415,676 S	10/1999	Negishi et al.
4,651,771 A	3/1987	Borenstein et al.	6,044,670 A	4/2000	Citurs et al.
4,674,306 A	6/1987	Halpern	6,070,442 A	6/2000	Neeley et al.
5,033,501 A	7/1991	Stehling	6,089,253 A	7/2000	Stehling et al.



*FIG. 1*

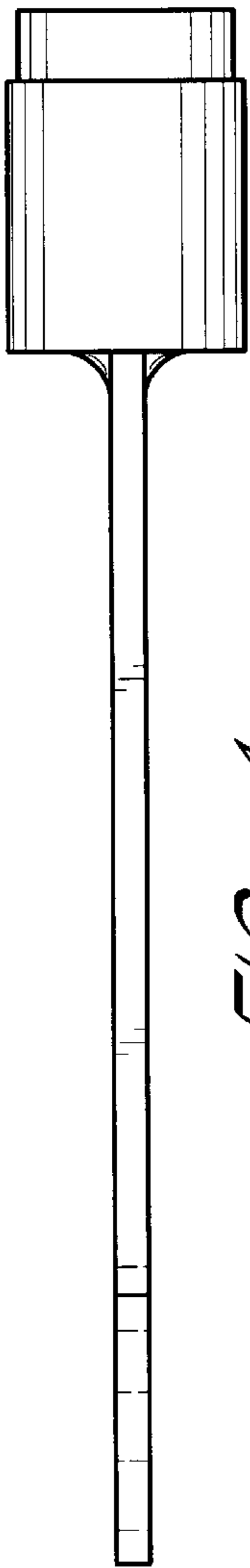


FIG. 4

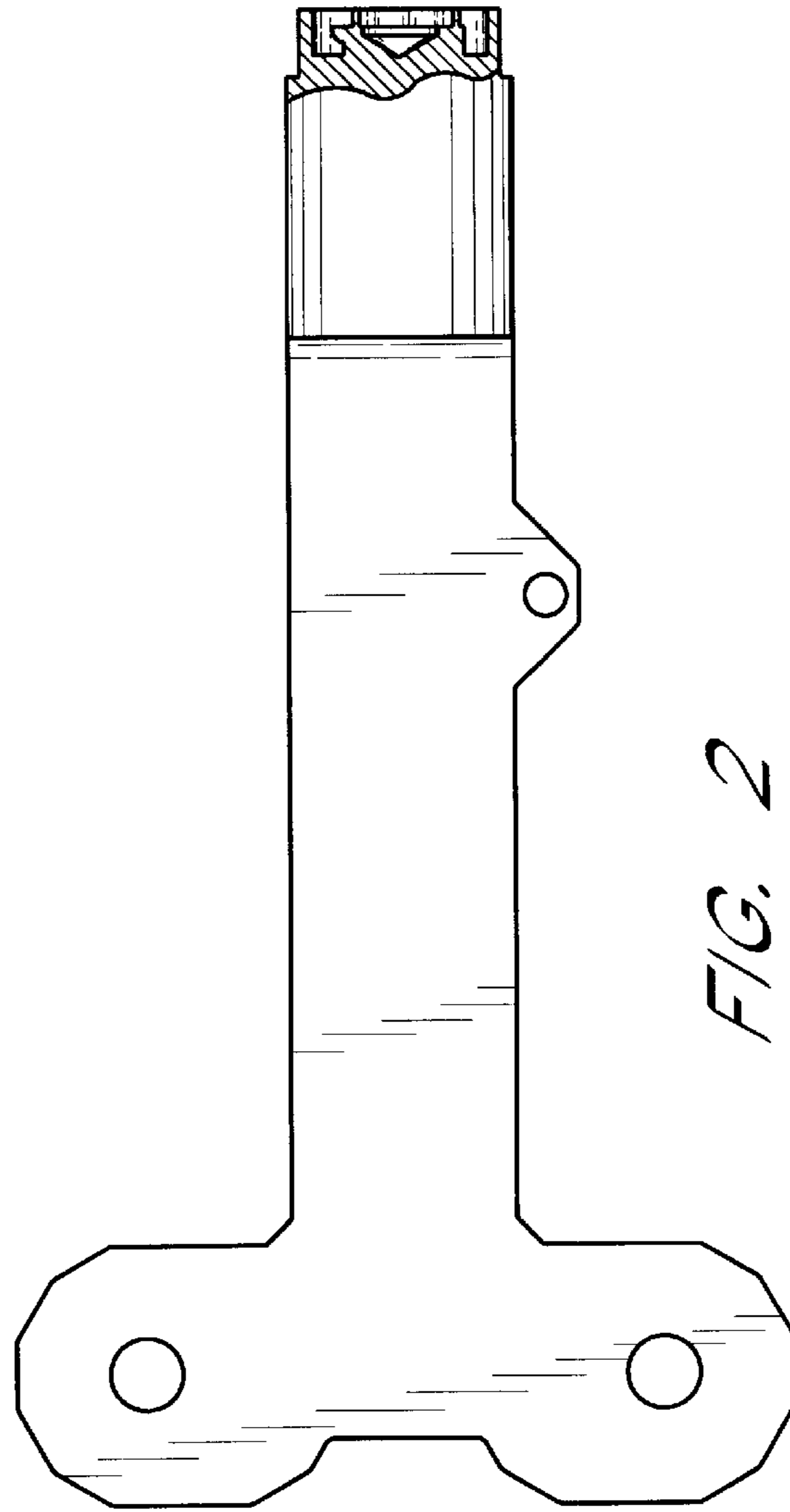


FIG. 2

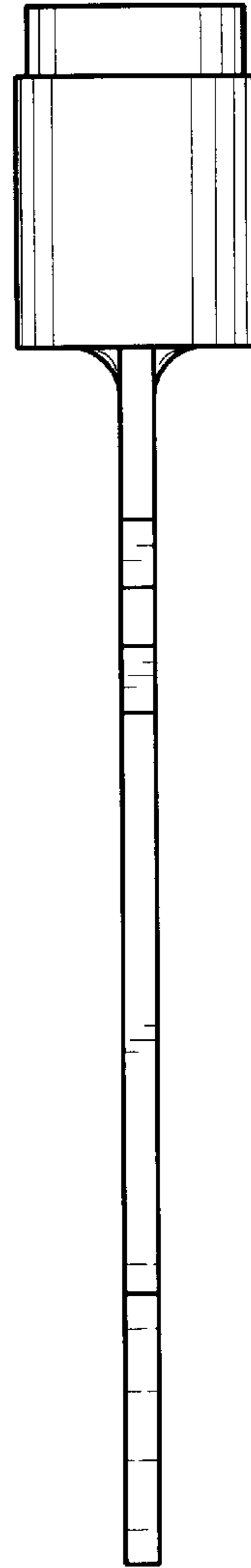


FIG. 3

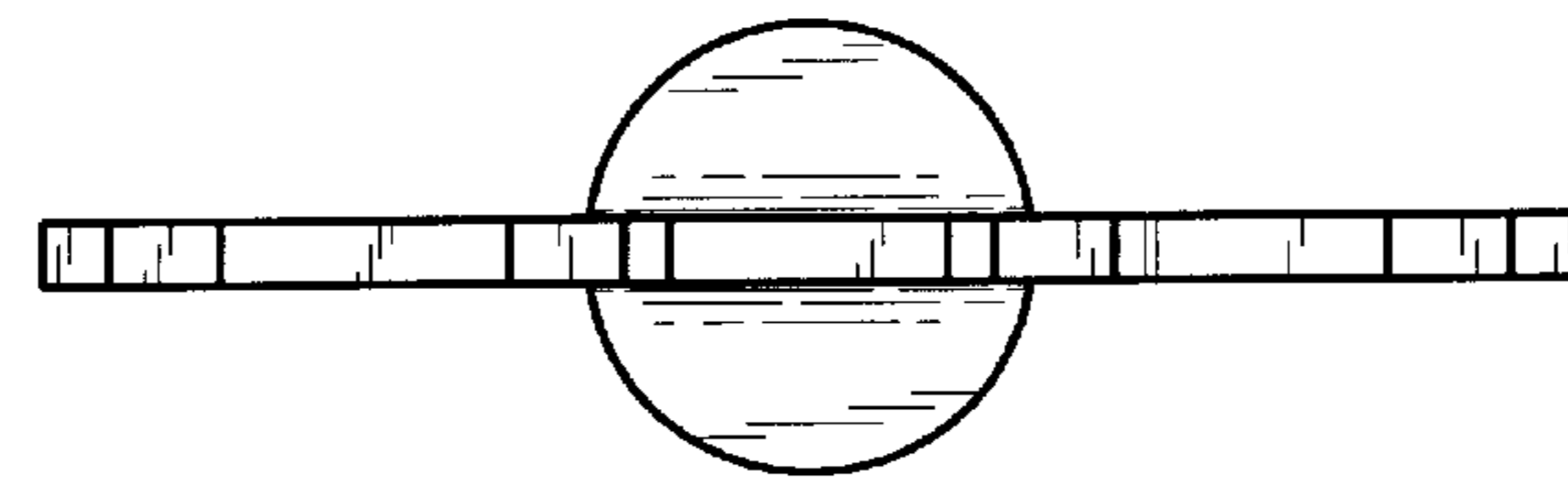


FIG. 5

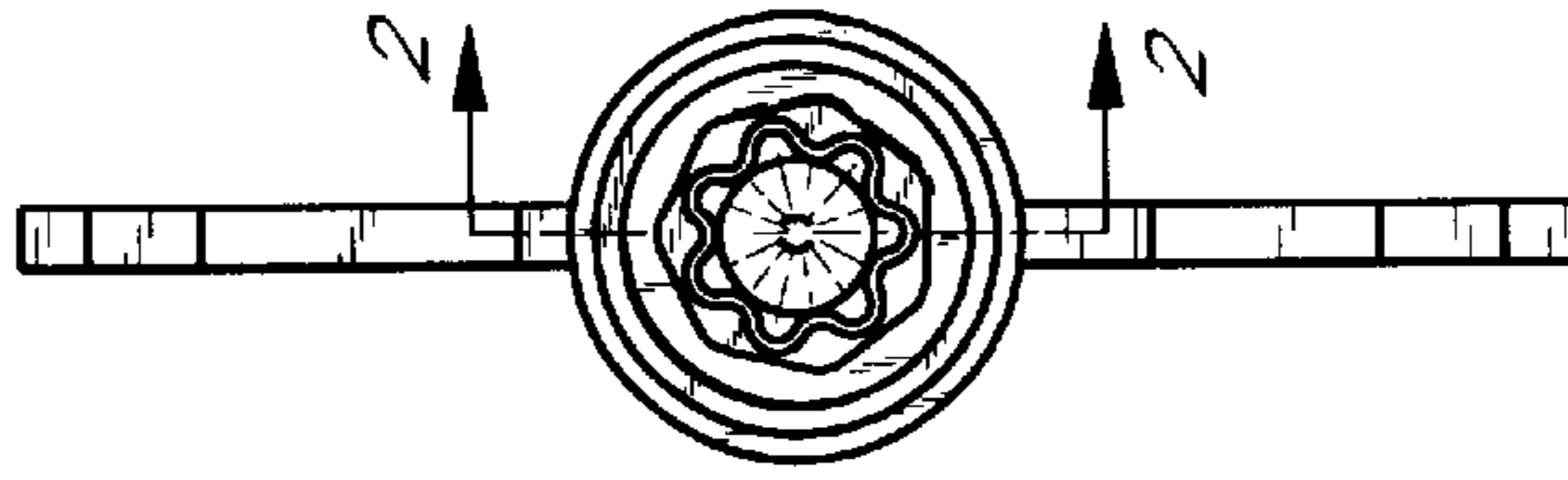


FIG. 6

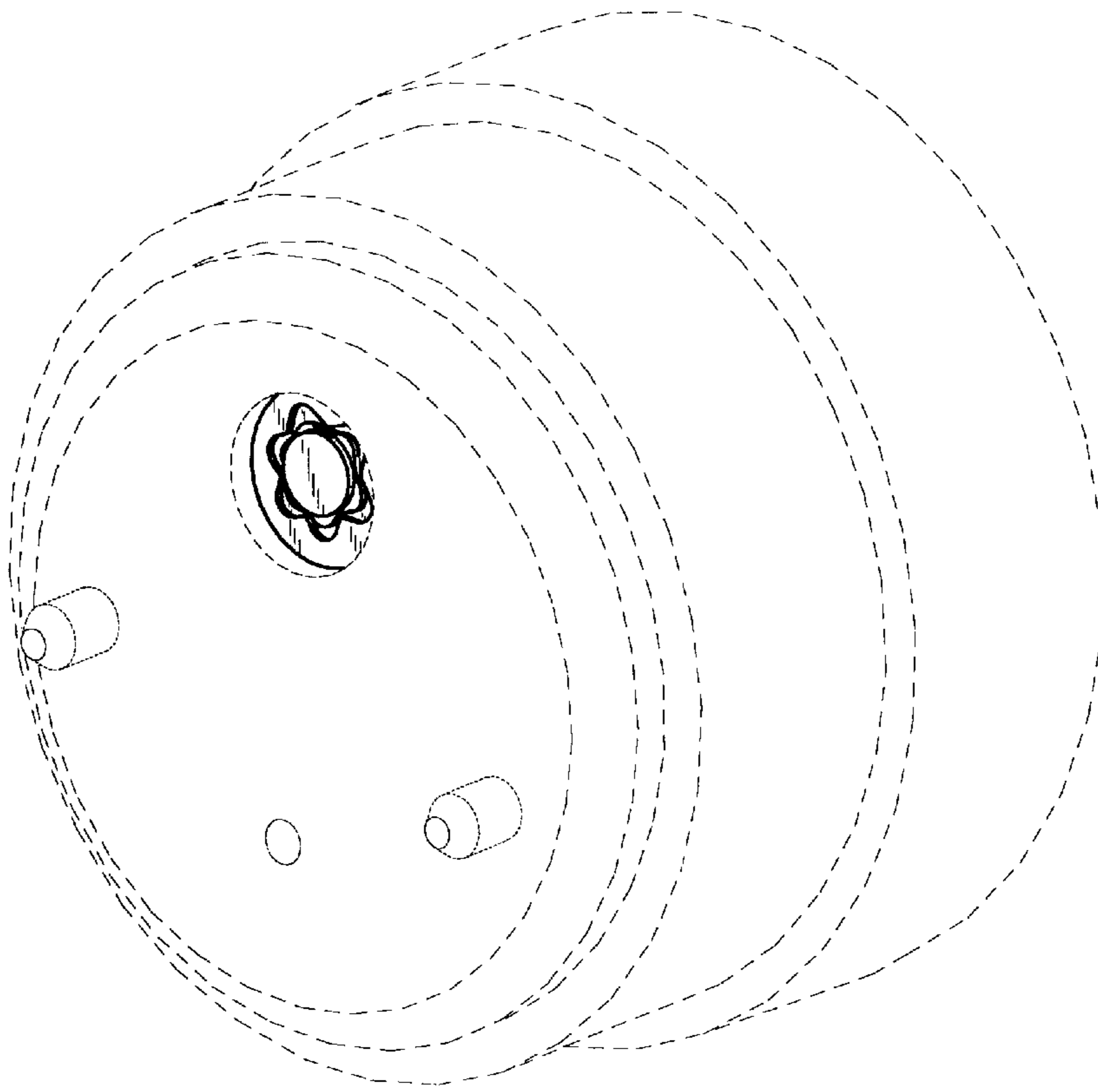


FIG. 7

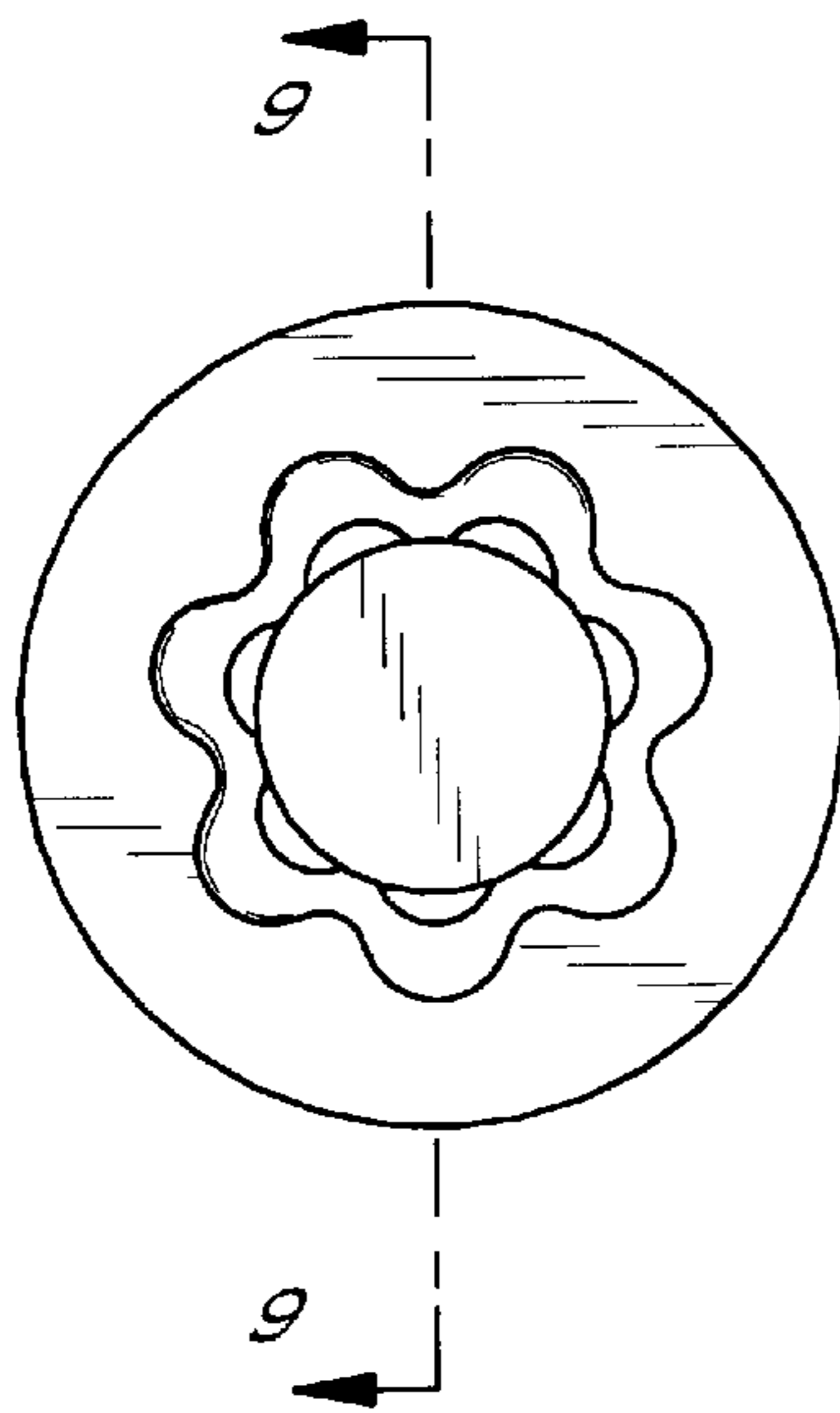


FIG. 8

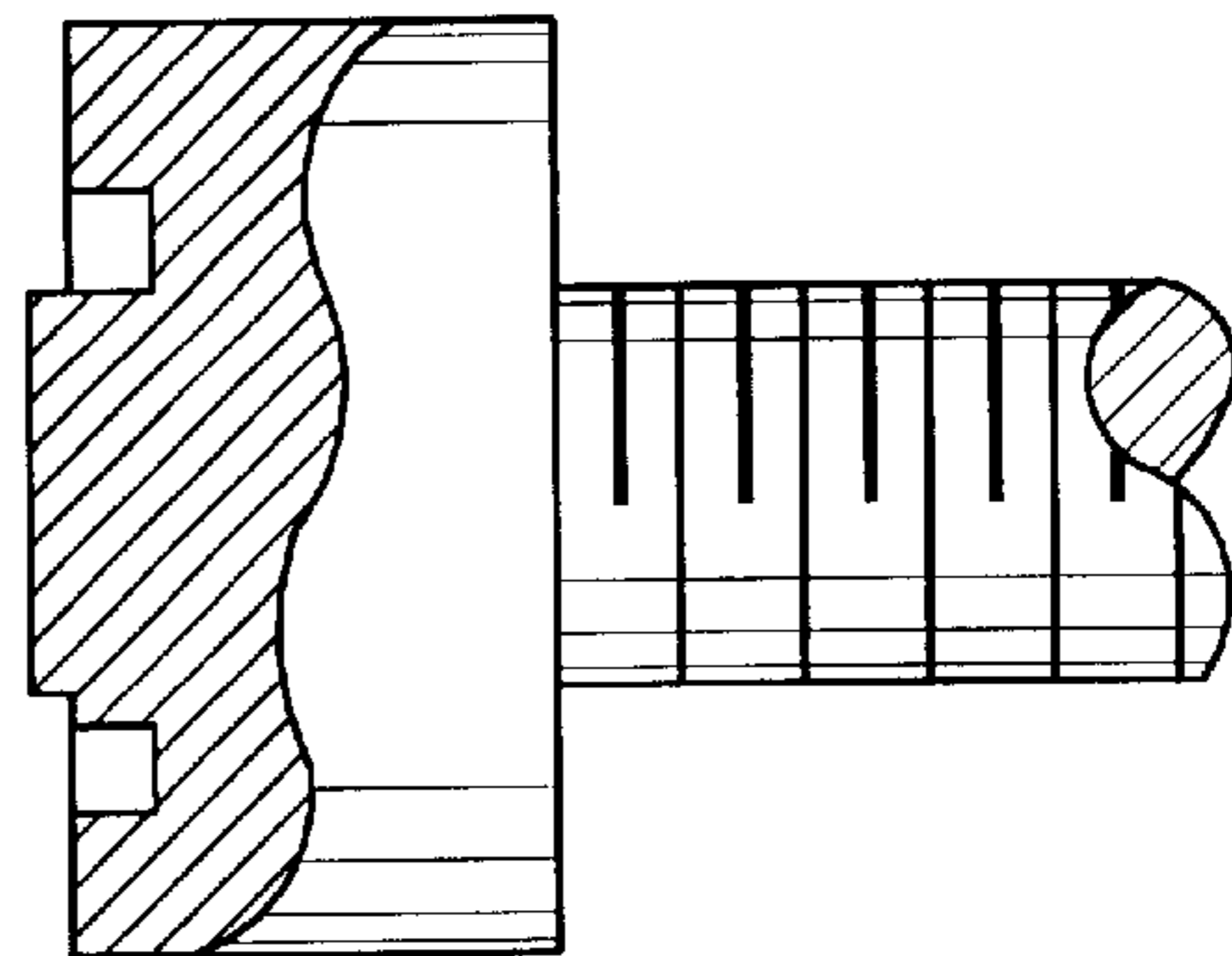


FIG. 9



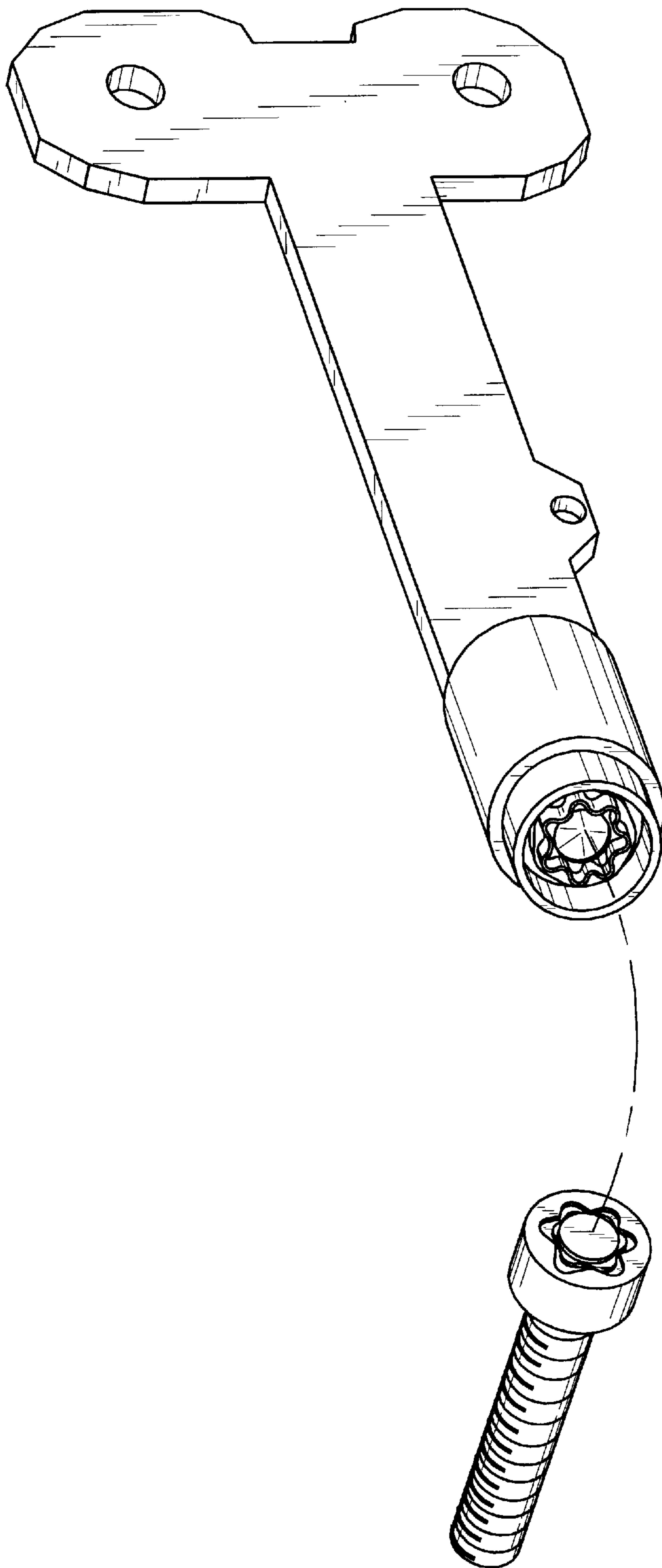


FIG. 10