



US00D472432S

(12) **United States Design Patent**  
**Goodman et al.**

(10) **Patent No.: US D472,432 S**

(45) **Date of Patent: \*\* Apr. 1, 2003**

(54) **WINE RACK**

(75) Inventors: **Sheldon H. Goodman**, 30905 Stratford, Solon, OH (US) 44139; **Kent W. Murphy**, Wooster, OH (US)

(73) Assignee: **Sheldon H. Goodman**, Solon, OH (US)

(\*\*) Term: **14 Years**

(21) Appl. No.: **29/158,699**

(22) Filed: **Apr. 8, 2002**

(51) **LOC (7) Cl.** ..... **06-04**

(52) **U.S. Cl.** ..... **D7/704**

(58) **Field of Search** ..... D7/701, 704, 707, D7/708; D6/458, 462, 449; 211/71.01, 74, 44, 181.1

(56) **References Cited**

**U.S. PATENT DOCUMENTS**

|             |   |         |         |       |          |
|-------------|---|---------|---------|-------|----------|
| D119,671 S  | * | 3/1940  | Planeta | ..... | D7/704   |
| 2,259,667 A | * | 10/1941 | Smith   | ..... | 211/74 X |
| 2,262,597 A | * | 11/1941 | Watral  | ..... | 211/74 X |
| D204,847 S  | * | 5/1966  | Hill    | ..... | D6/462 X |

\* cited by examiner

*Primary Examiner*—Terry A. Wallace

(74) *Attorney, Agent, or Firm*—Pearne & Gordon LLP

(57) **CLAIM**

The ornamental design for a wine rack, as shown and described.

**DESCRIPTION**

FIG. 1 is a front, side and top perspective view of a wine rack showing our new design;

FIG. 2 is a front elevational view thereof;

FIG. 3 is a top plan view thereof;

FIG. 4 is a side elevational view thereof;

FIG. 5 is a bottom plan view thereof;

FIG. 6 is front, side and top perspective view of a second embodiment of a wine rack in accordance with our new design, showing a 7-bottle style;

FIG. 7 is a front elevational view thereof;

FIG. 8 is a top plan view thereof;

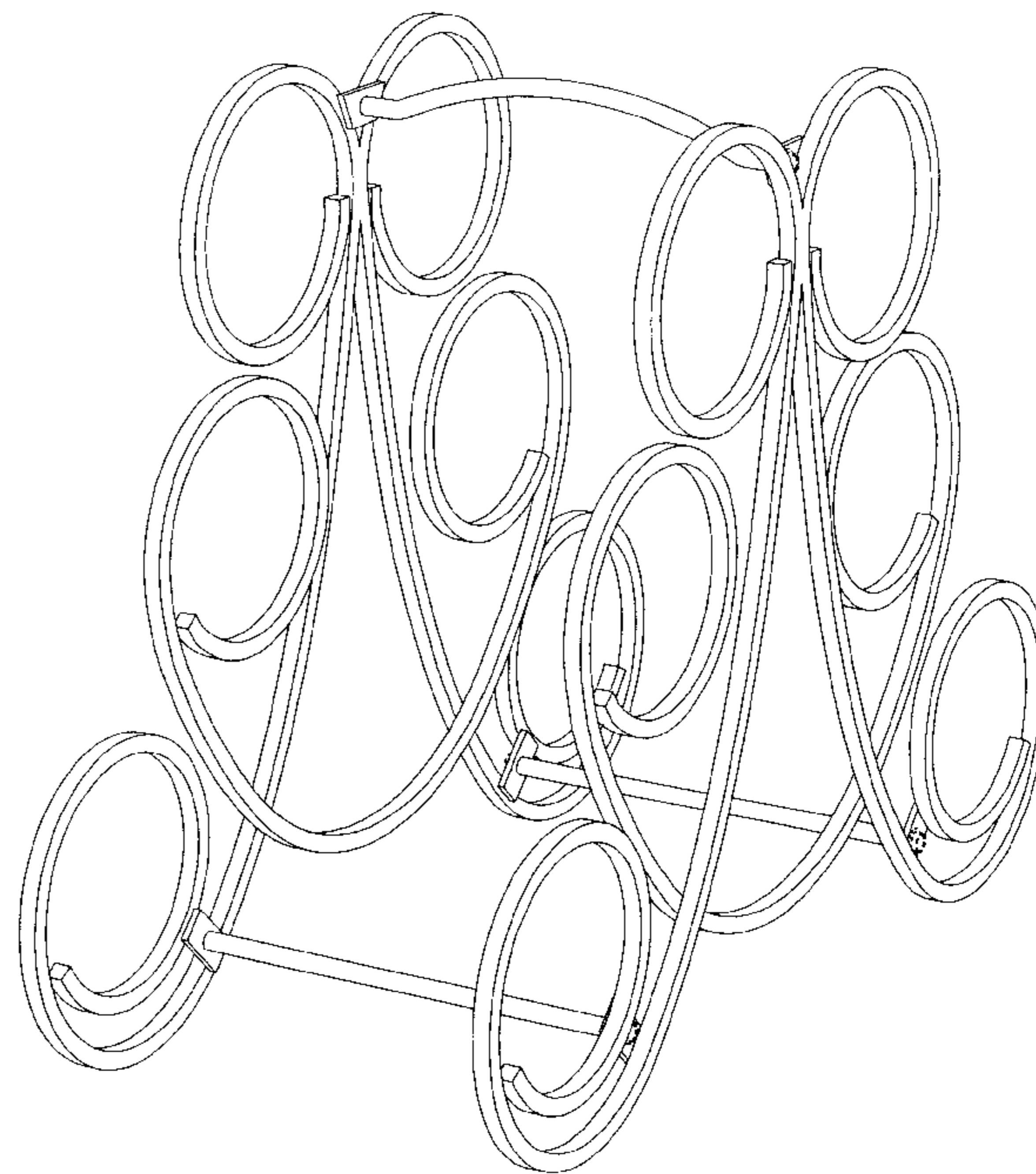
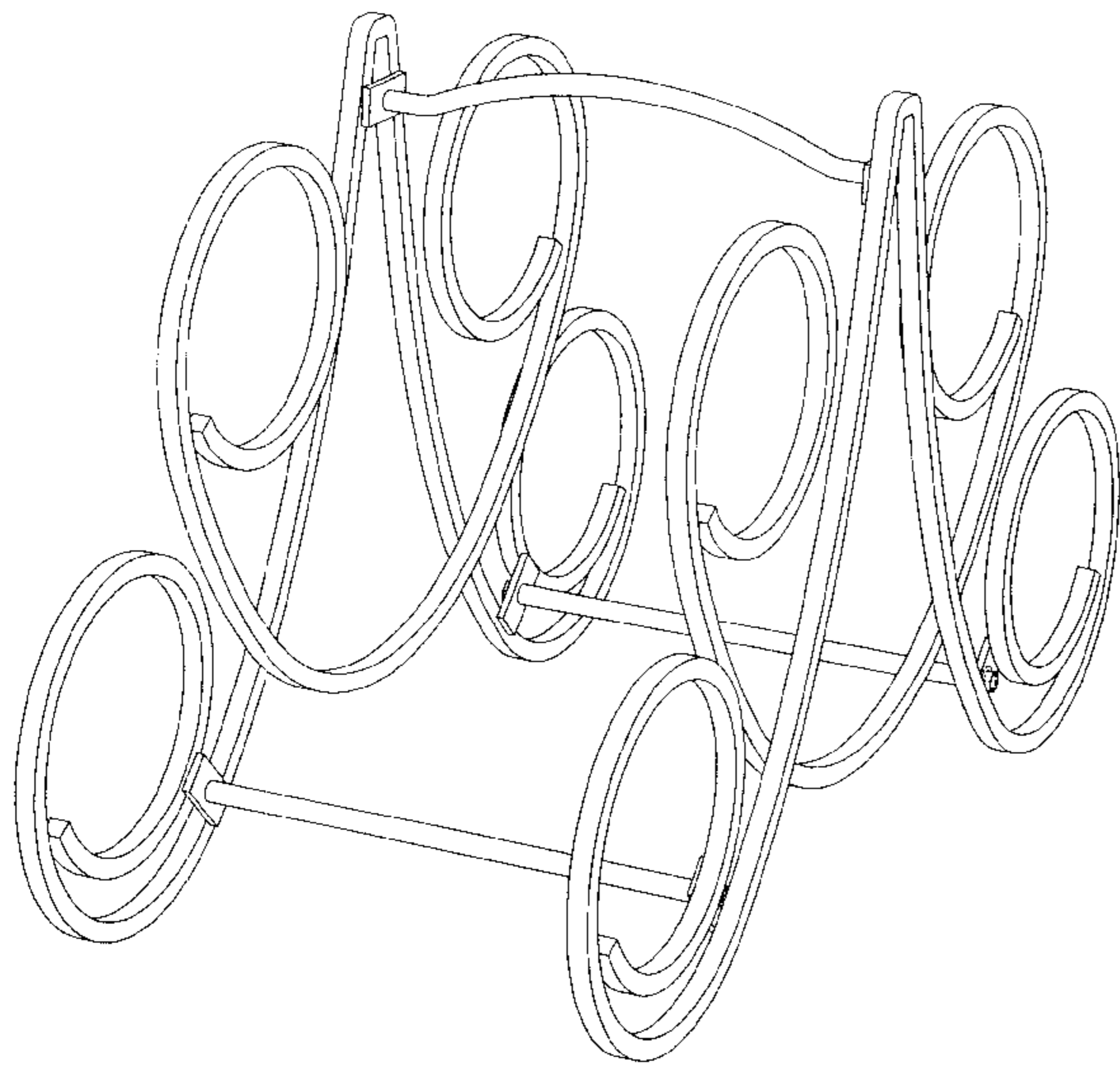
FIG. 9 is a side elevational view thereof;

FIG. 10 is a bottom plan view thereof; and,

FIG. 11 is a rear elevational view thereof.

The broken-line disclosure of elements in the views is for illustrative purposes only and forms no part of the claimed design.

**1 Claim, 4 Drawing Sheets**



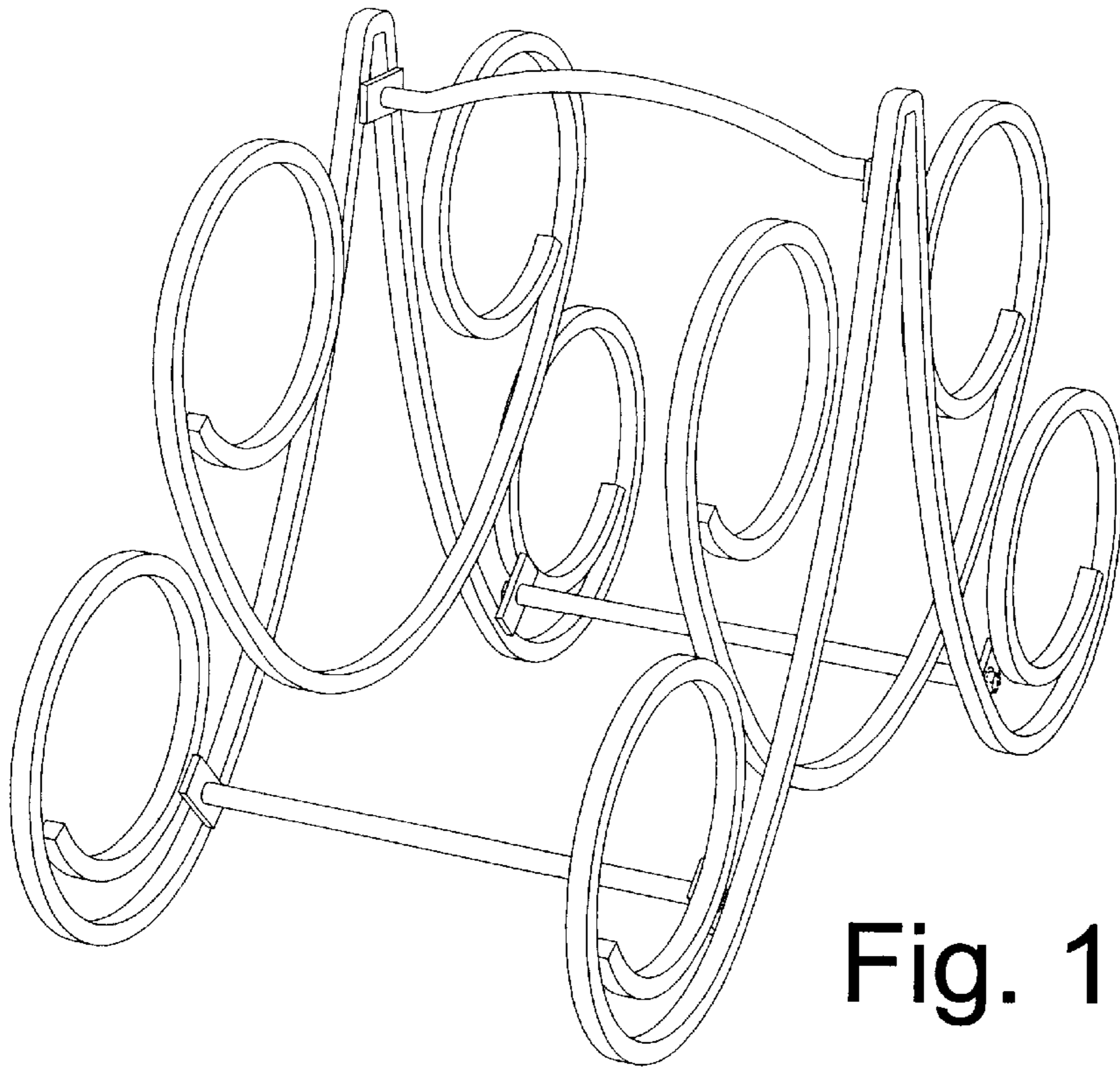


Fig. 1

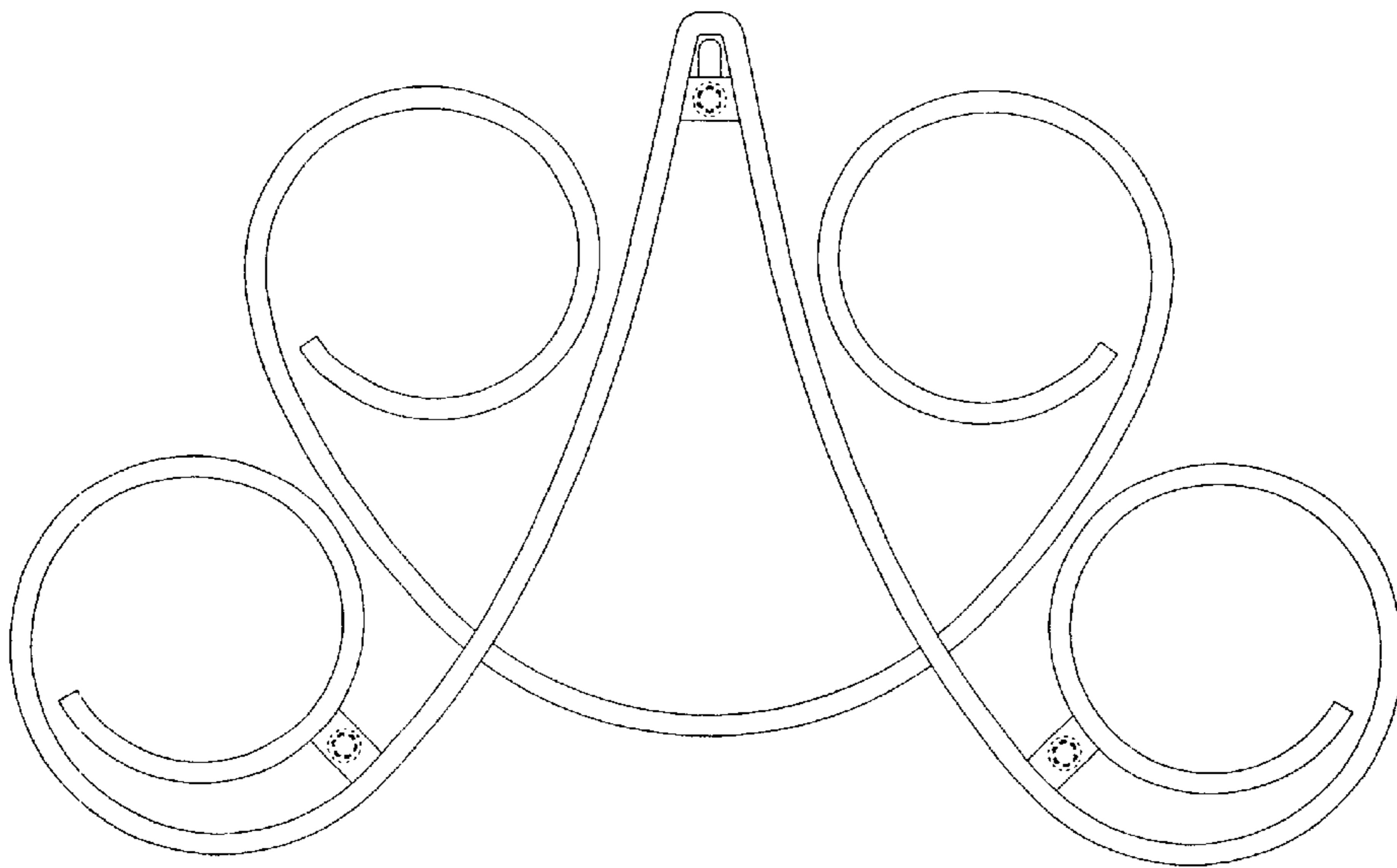


Fig. 2

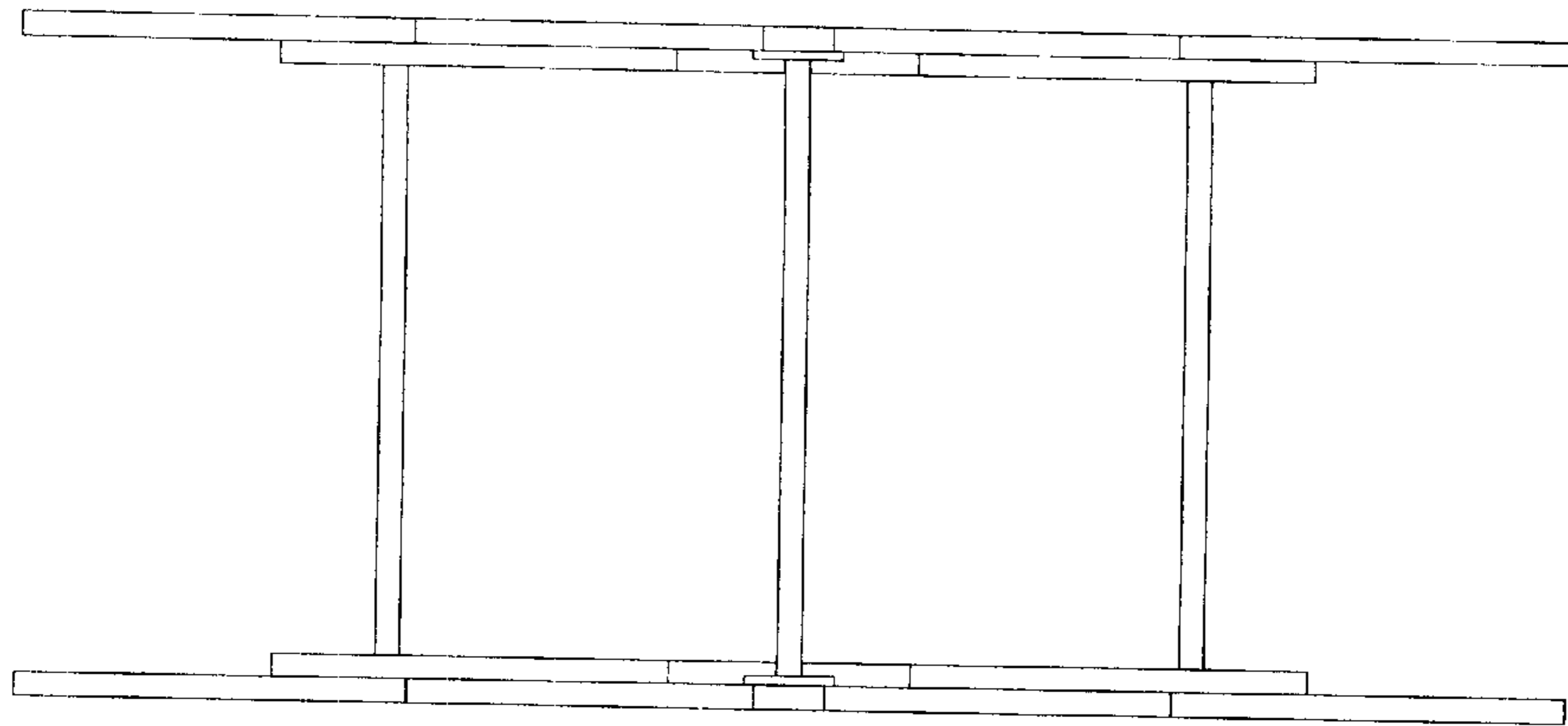


Fig. 3

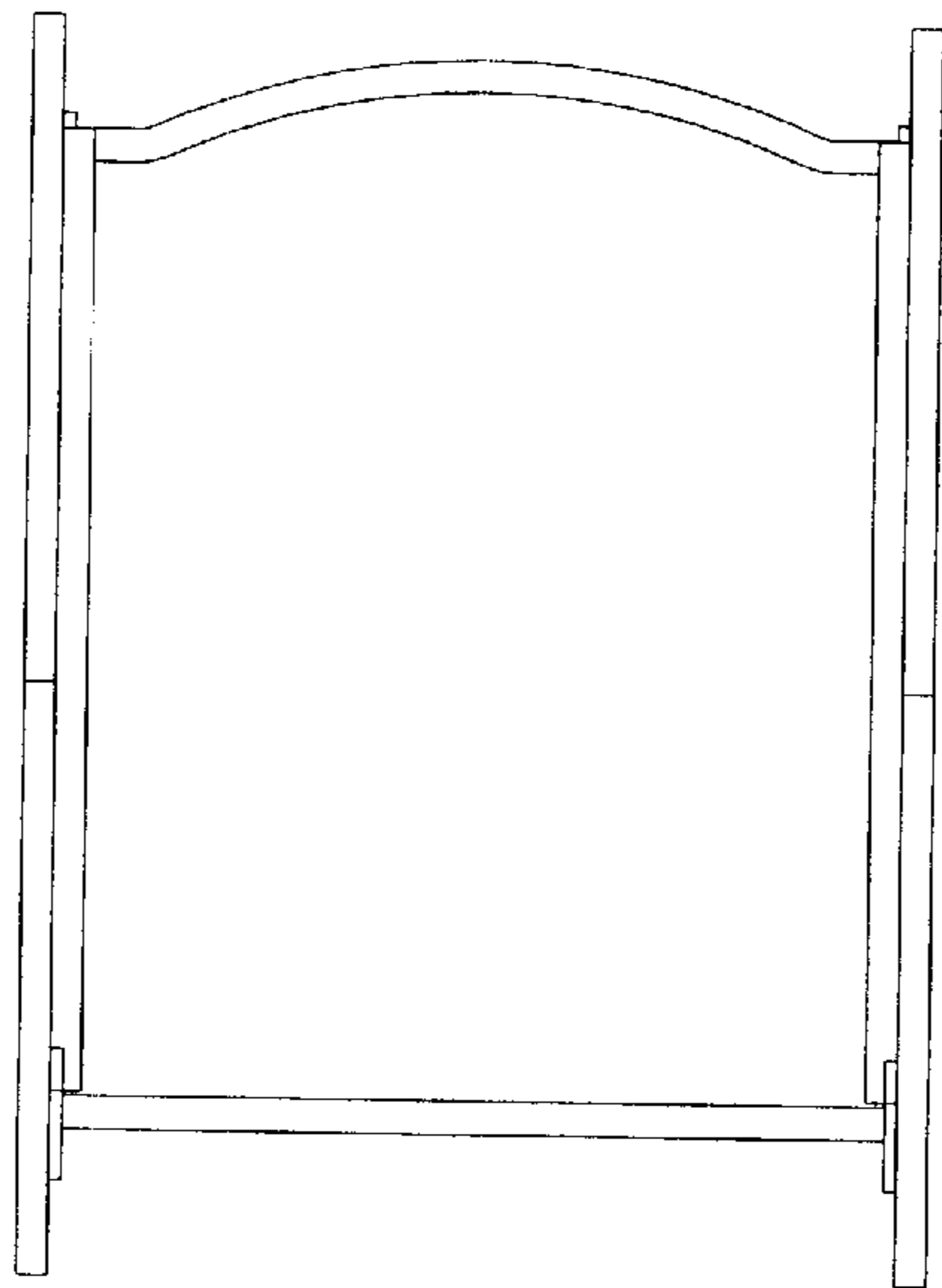


Fig. 4

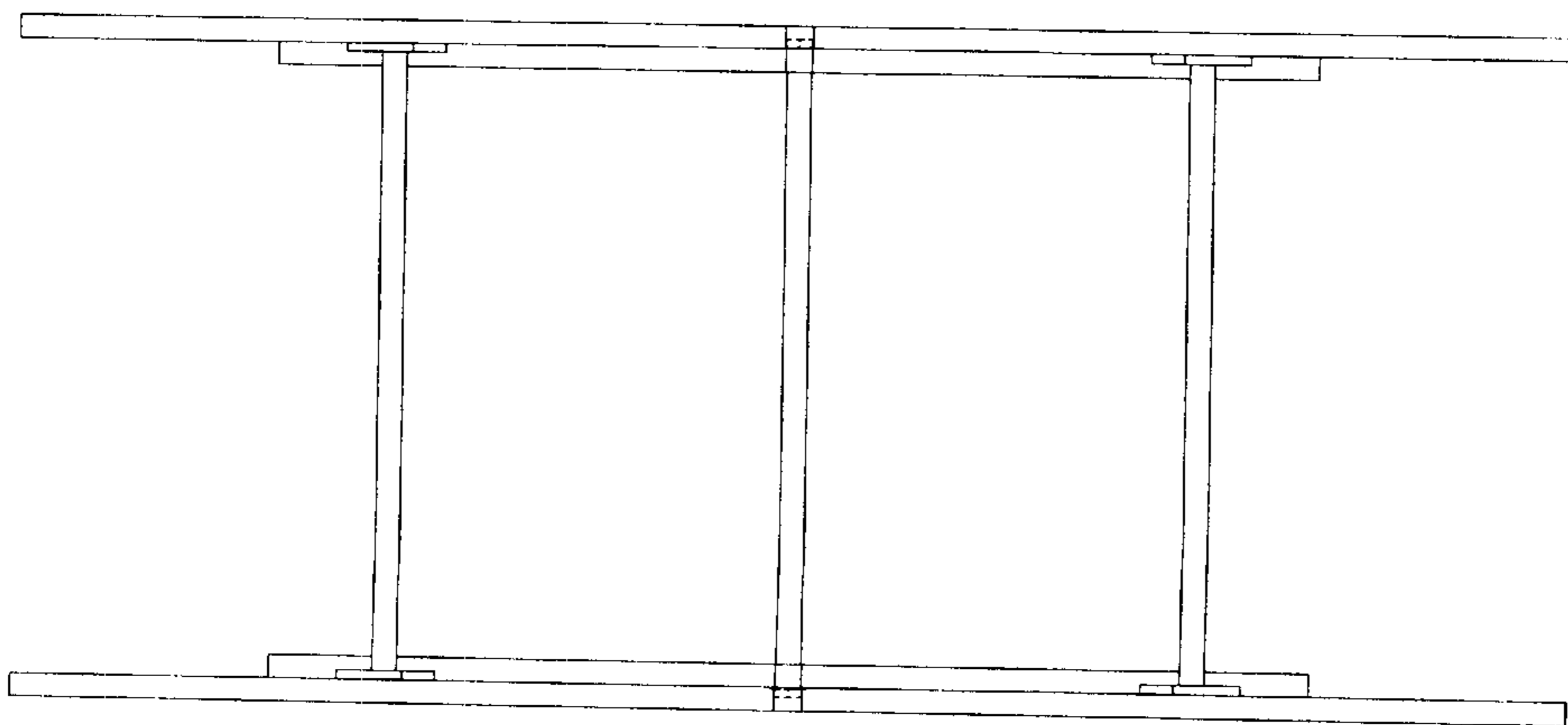


Fig. 5

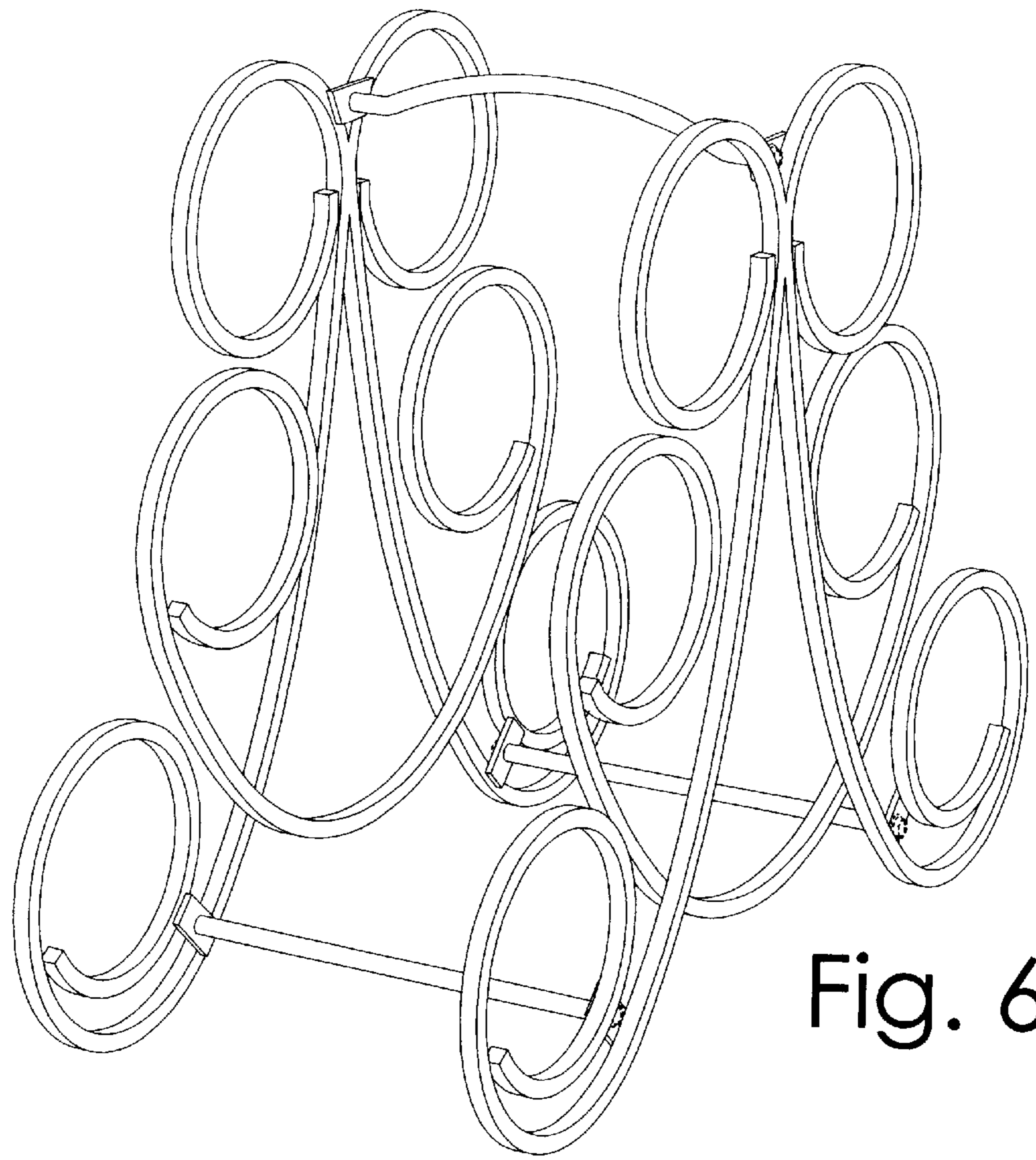


Fig. 6

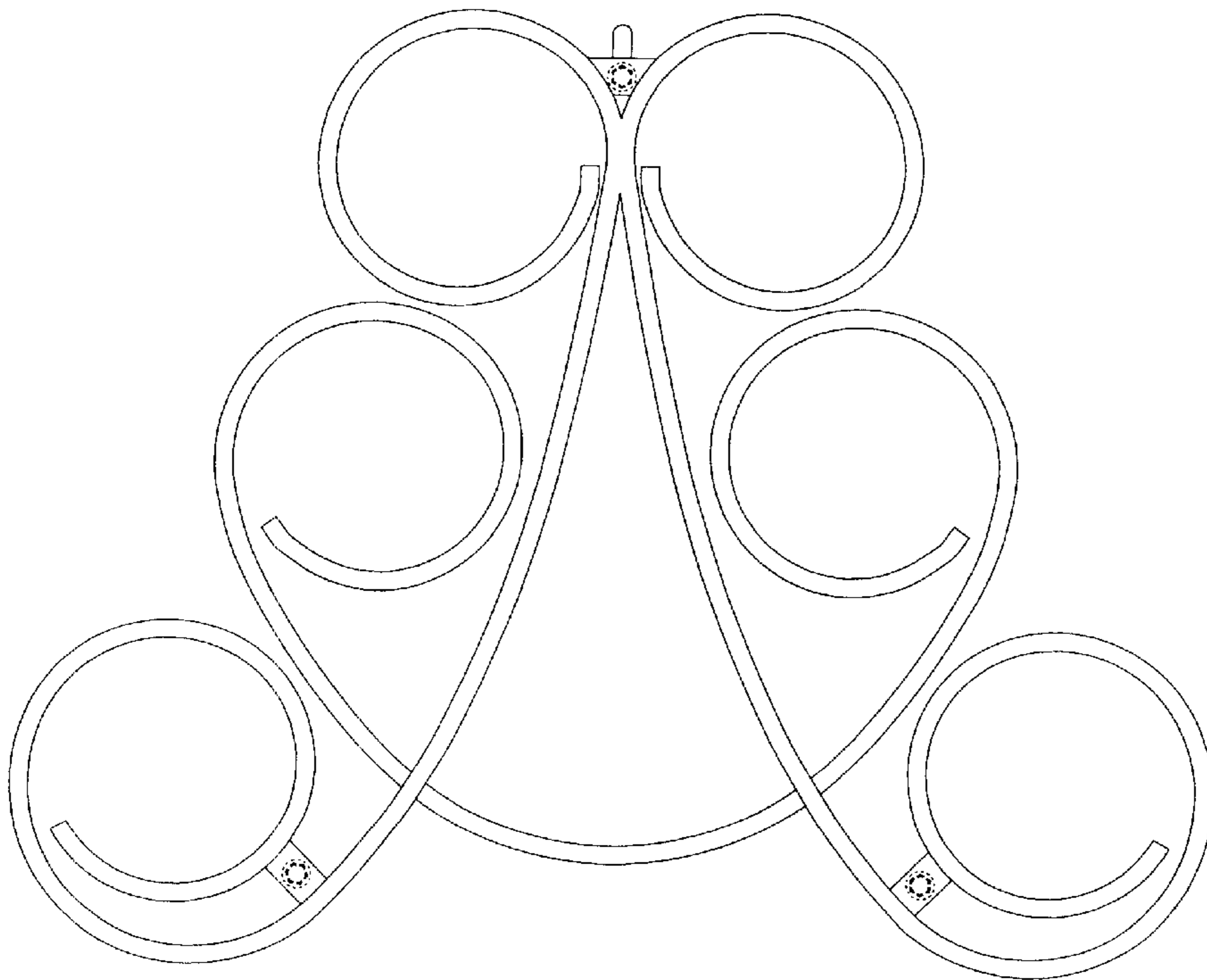


Fig. 7

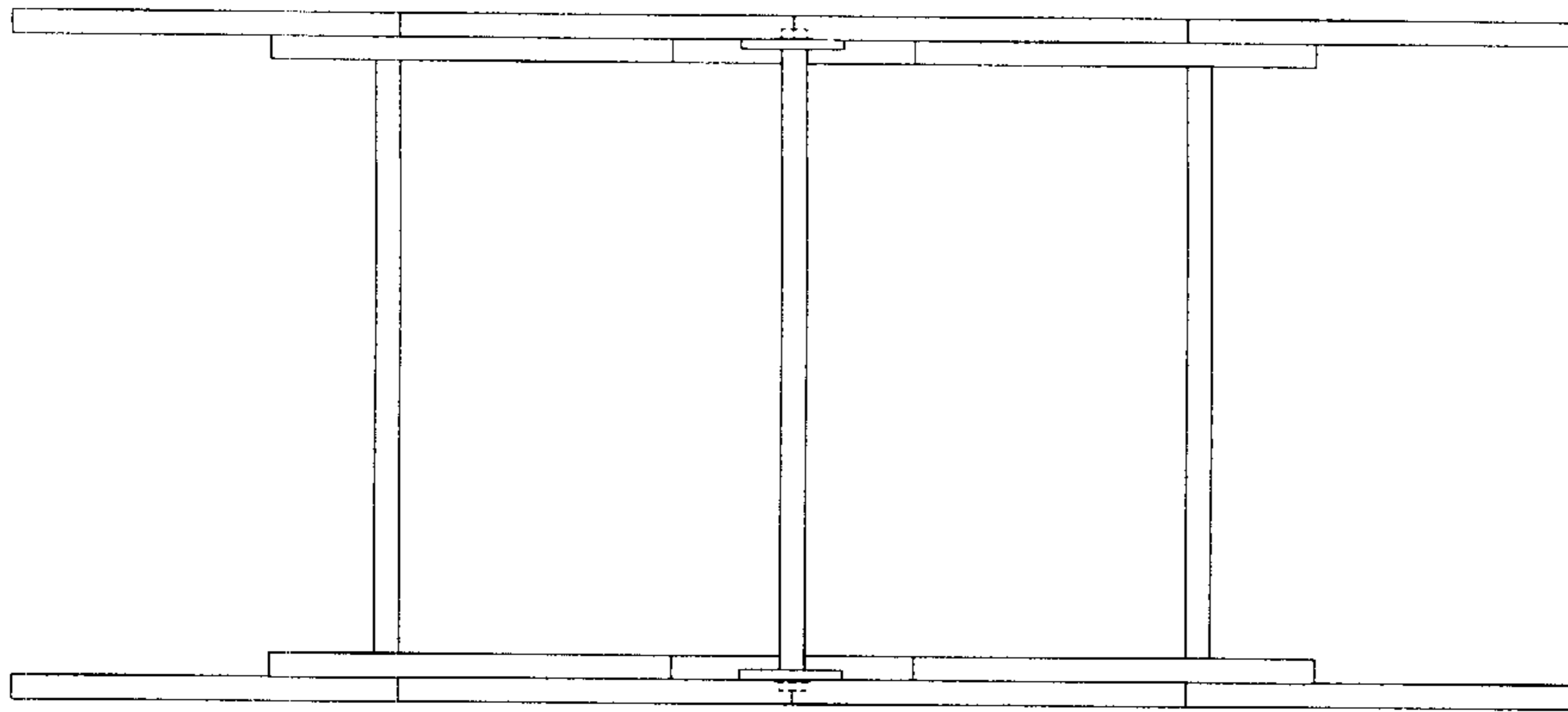


Fig. 8

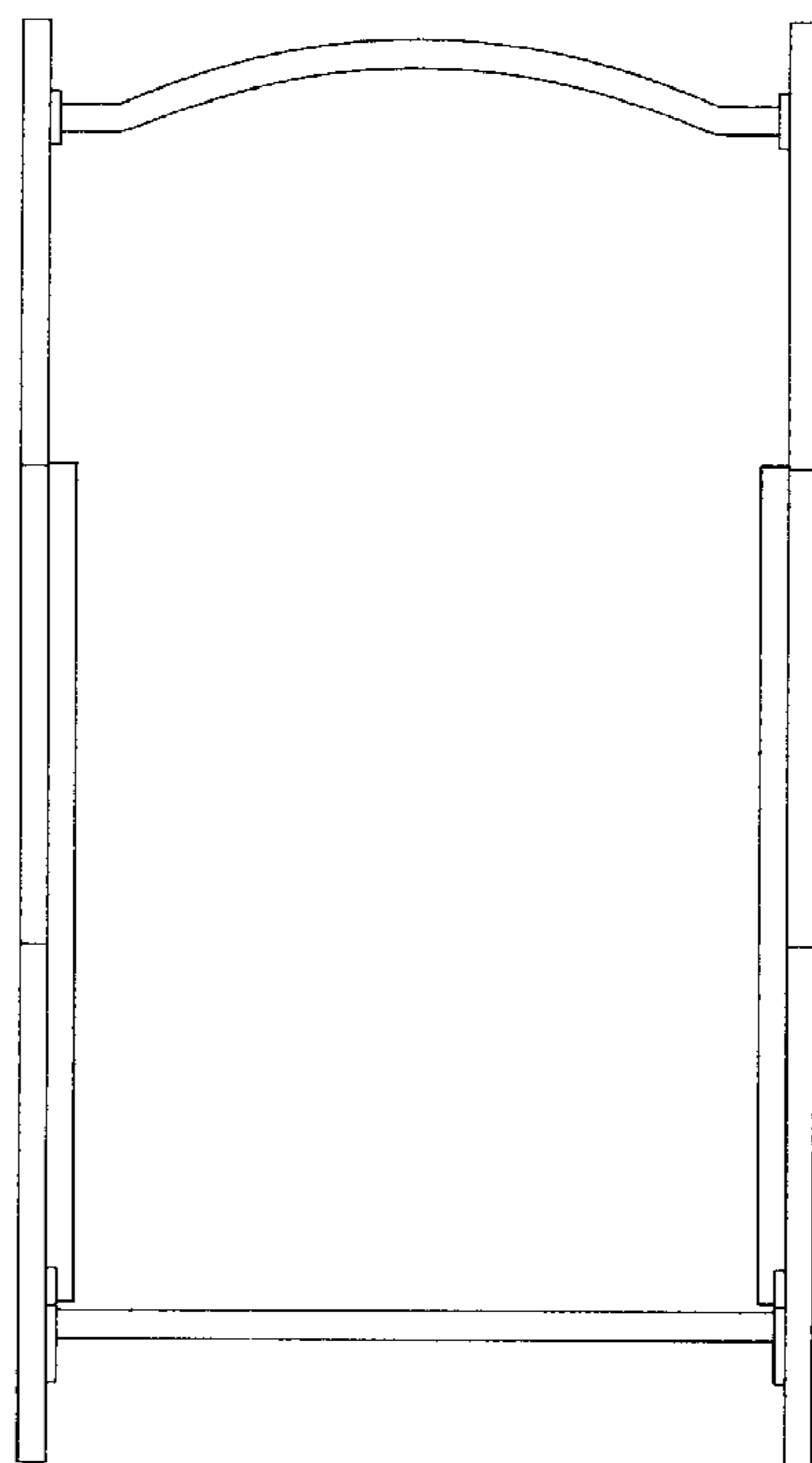


Fig. 9

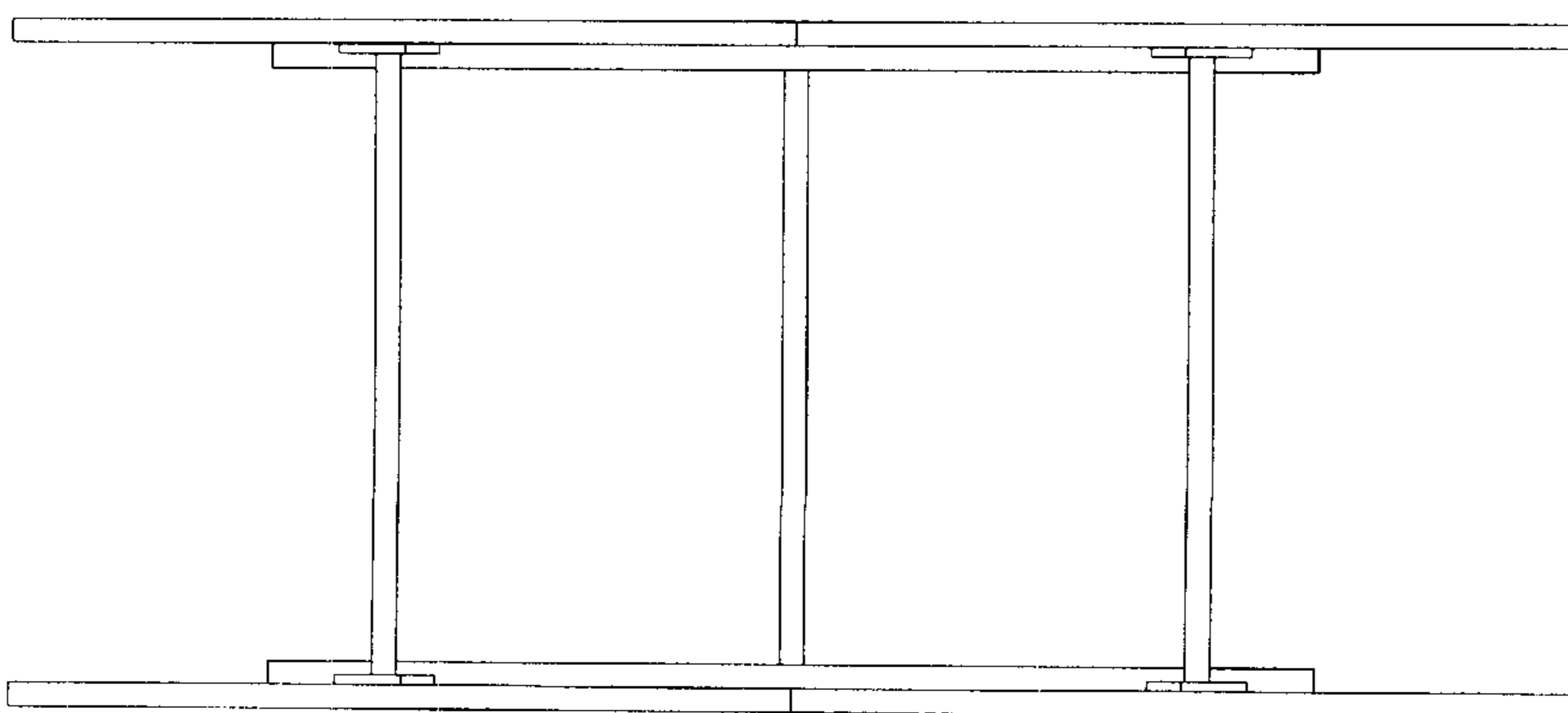


Fig. 10

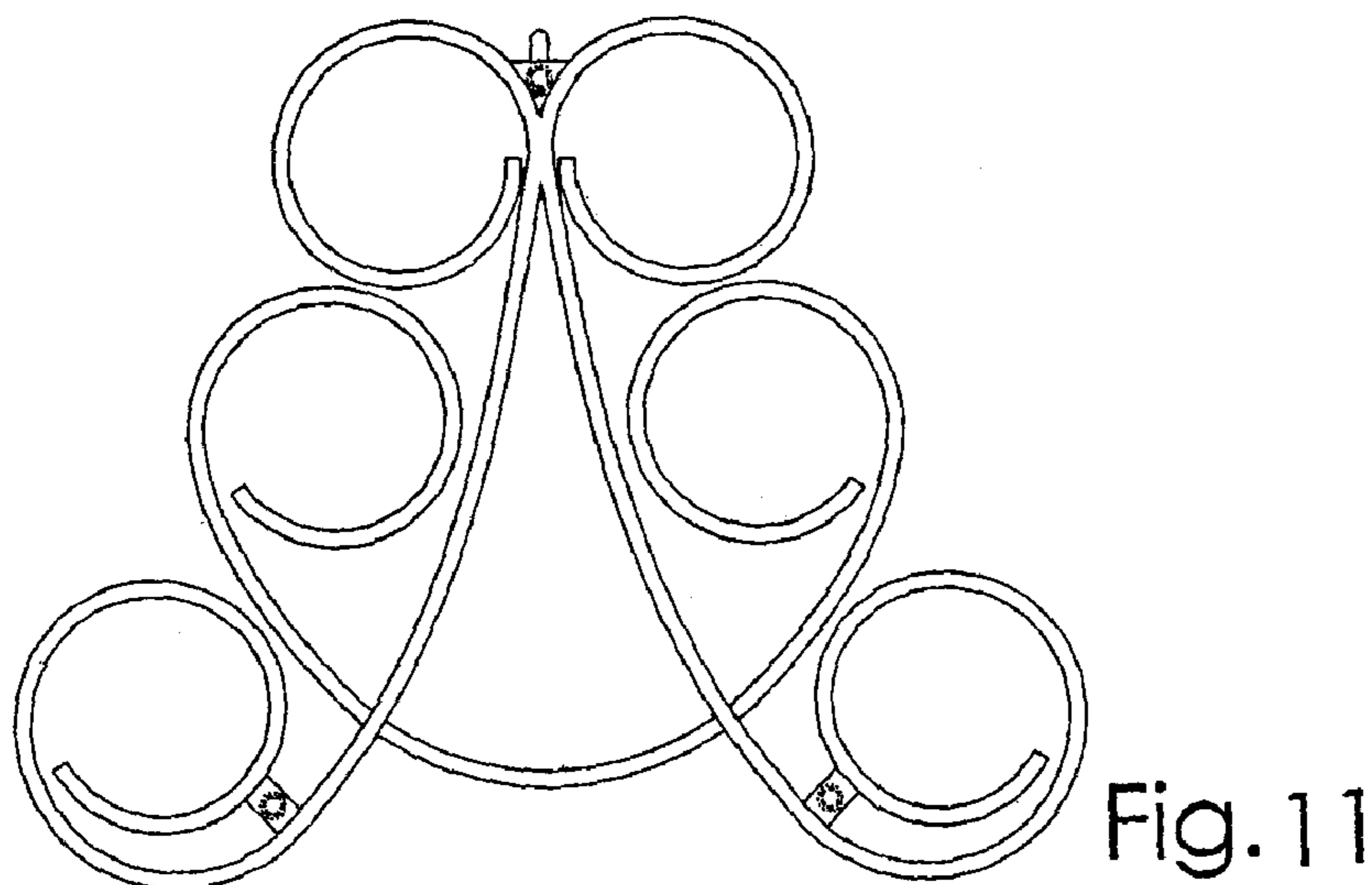
UNITED STATES PATENT AND TRADEMARK OFFICE  
**CERTIFICATE OF CORRECTION**

PATENT NO. : Des. 472,432 S  
DATED : April 1, 2003  
INVENTOR(S) : Sheldon H. Goodman et al.

Page 1 of 1

It is certified that error appears in the above-identified patent and that said Letters Patent is hereby corrected as shown below:

Drawings.  
The following FIG. 11 is to be added



Signed and Sealed this  
Second Day of September, 2003



JAMES E. ROGAN  
*Director of the United States Patent and Trademark Office*