



US00D472416S

(12) **United States Design Patent**
Yen

(10) **Patent No.:** **US D472,416 S**

(45) **Date of Patent:** **** Apr. 1, 2003**

(54) **TOWEL RING**

(76) **Inventor:** **Kuo-Chi Yen**, No. 310, Wenshinnan 6th
Rd., Nantuen Chiu, Taichung (TW)

(**) **Term:** **14 Years**

(21) **Appl. No.:** **29/150,885**

(22) **Filed:** **Nov. 30, 2001**

(51) **LOC (7) Cl.** **06-04**

(52) **U.S. Cl.** **D6/546**

(58) **Field of Search** D6/546-50, 518,
D6/522-24; D8/300, 307-308, 315-20;
108/29; 211/13.1, 16, 60.1, 86.01, 87.01,
88.04, 105.1-105.2, 106, 123, 181.1; 242/570,
588-90, 597-98; 248/49, 175, 200-201,
205.1, 214, 251-54, 261, 302, 304, 309.1,
314-17

(56) **References Cited**

U.S. PATENT DOCUMENTS

D259,754 S	*	7/1981	Fleischmann et al.	D6/546
4,907,771 A	*	3/1990	Wang	248/222.14
D337,230 S	*	7/1993	Wang	D6/550
D349,208 S	*	8/1994	Bollenbacher	D6/550
D357,379 S		4/1995	Lehn et al.	D6/549
D357,840 S		5/1995	Lehn et al.	D6/549

D407,931 S		4/1999	Sweetman	D6/524
D408,669 S		4/1999	Kuo	D6/550
D409,030 S	*	5/1999	Sweetman	D6/546
D417,112 S		11/1999	Chen	D6/546
D417,989 S		12/1999	Moore et al.	D6/524
D417,995 S		12/1999	Chen	D6/550
D424,354 S		5/2000	Duggan	D6/550
D436,776 S	*	1/2001	Chen	D6/524
D451,325 S	*	12/2001	Lai	D6/524

* cited by examiner

Primary Examiner—Brian N. Vinson
(74) *Attorney, Agent, or Firm*—Brinks Hofer Gilson & Lione

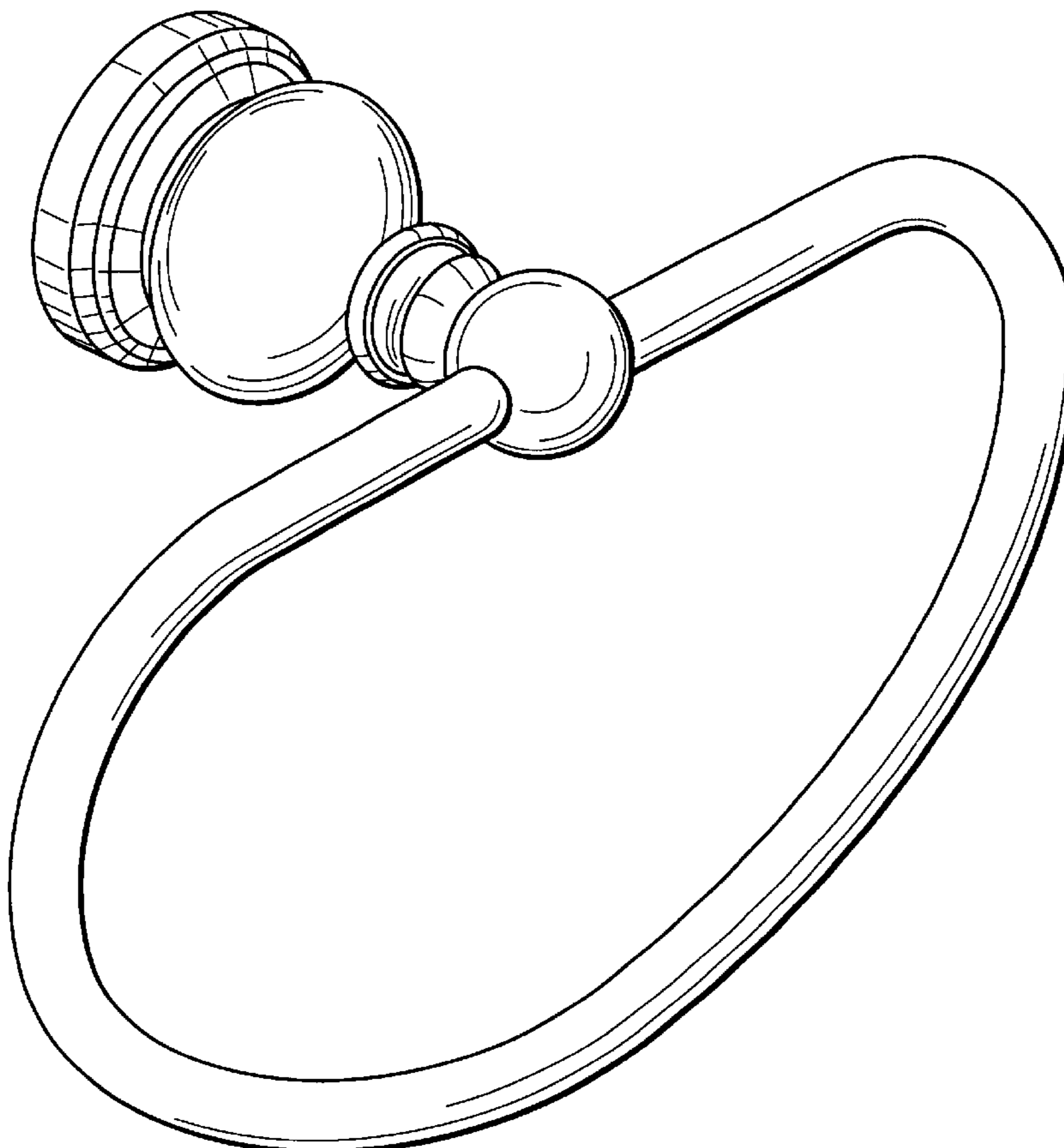
(57) **CLAIM**

The ornamental design for a towel ring, as shown and described.

DESCRIPTION

FIG. 1 is a perspective view showing my new design.
FIG. 2 is a top elevational view thereof.
FIG. 3 is a bottom elevational view thereof.
FIG. 4 is a left elevational view thereof.
FIG. 5 is a right elevational view thereof.
FIG. 6 is a front elevational view thereof; and,
FIG. 7 is a rear elevational view thereof.

1 Claim, 4 Drawing Sheets



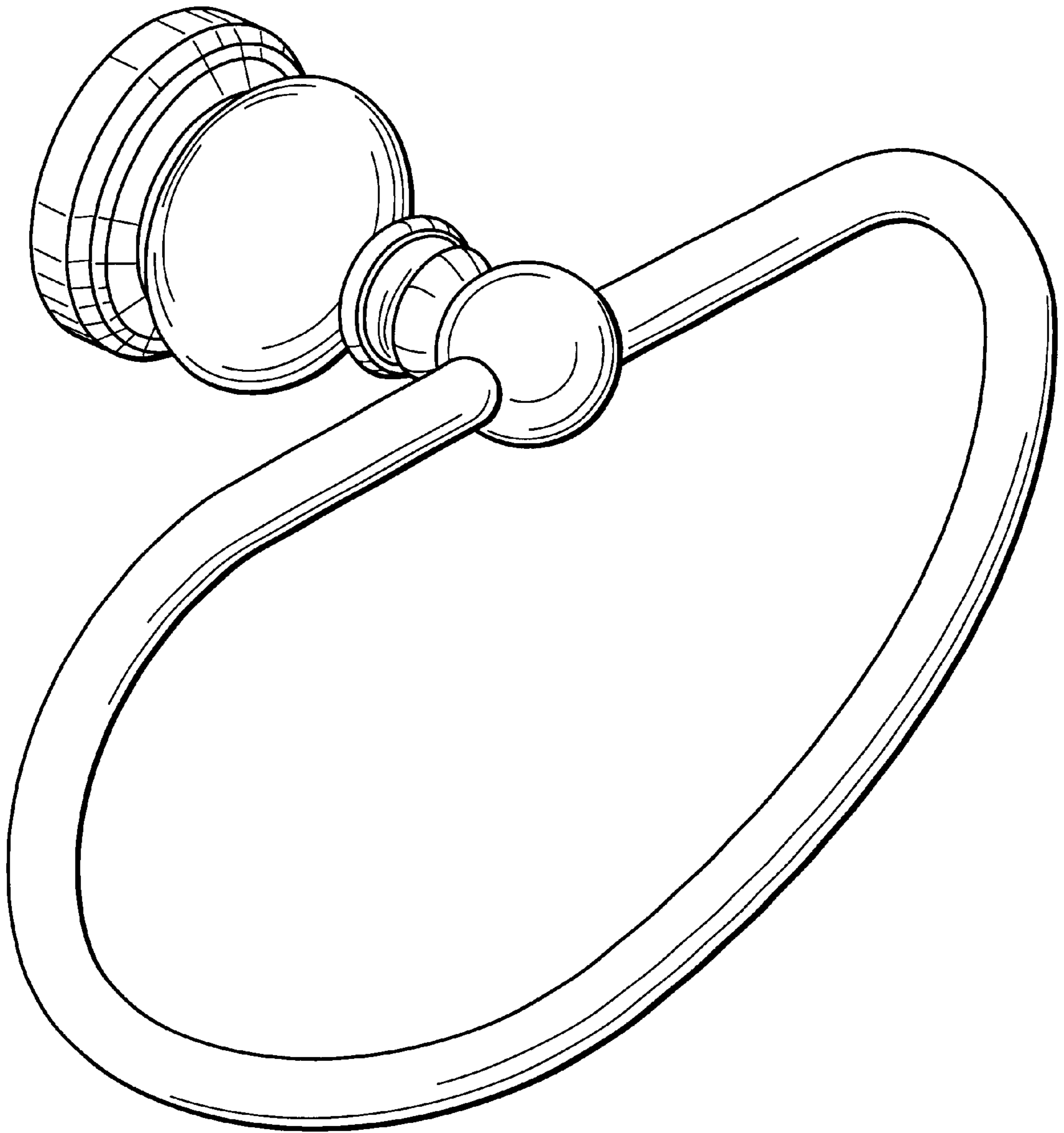


FIG. 1

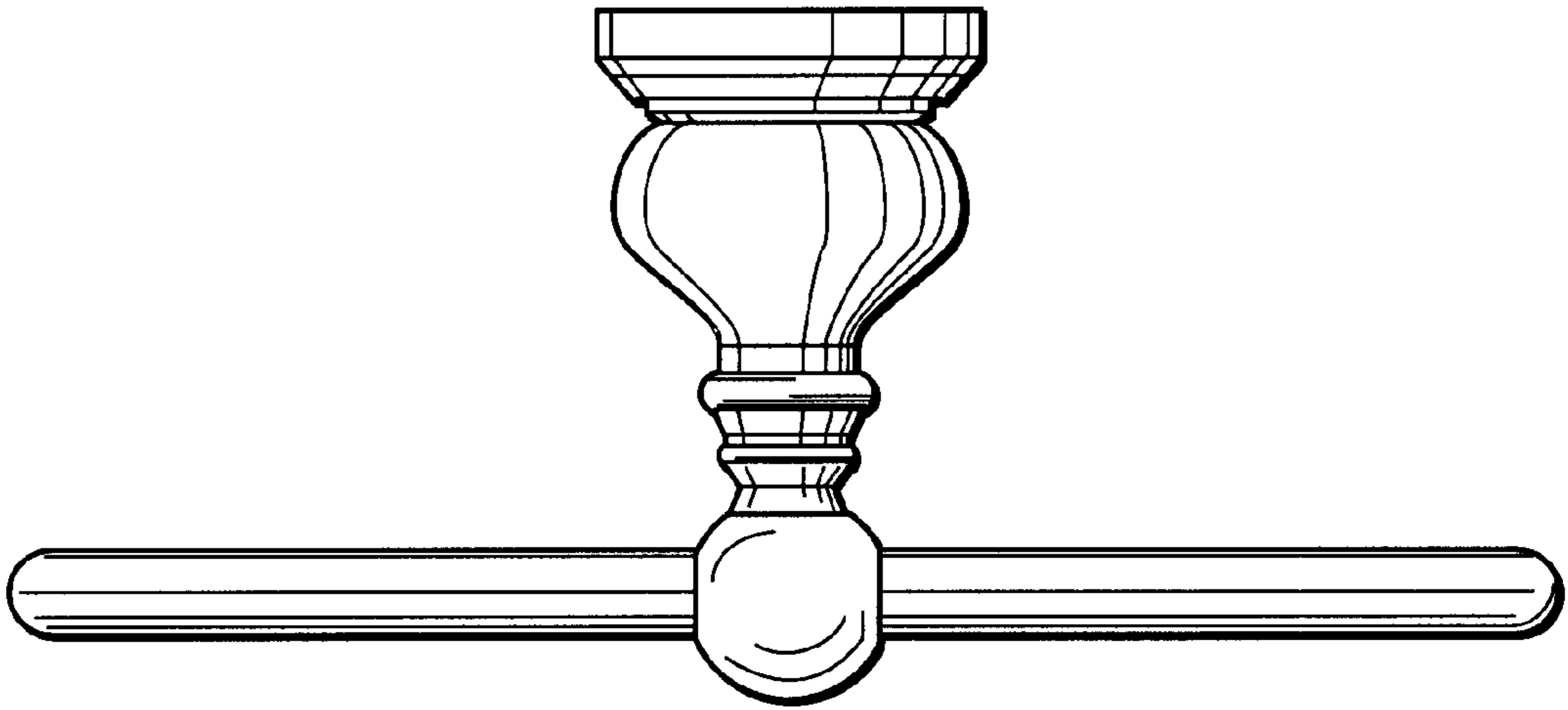


FIG. 2

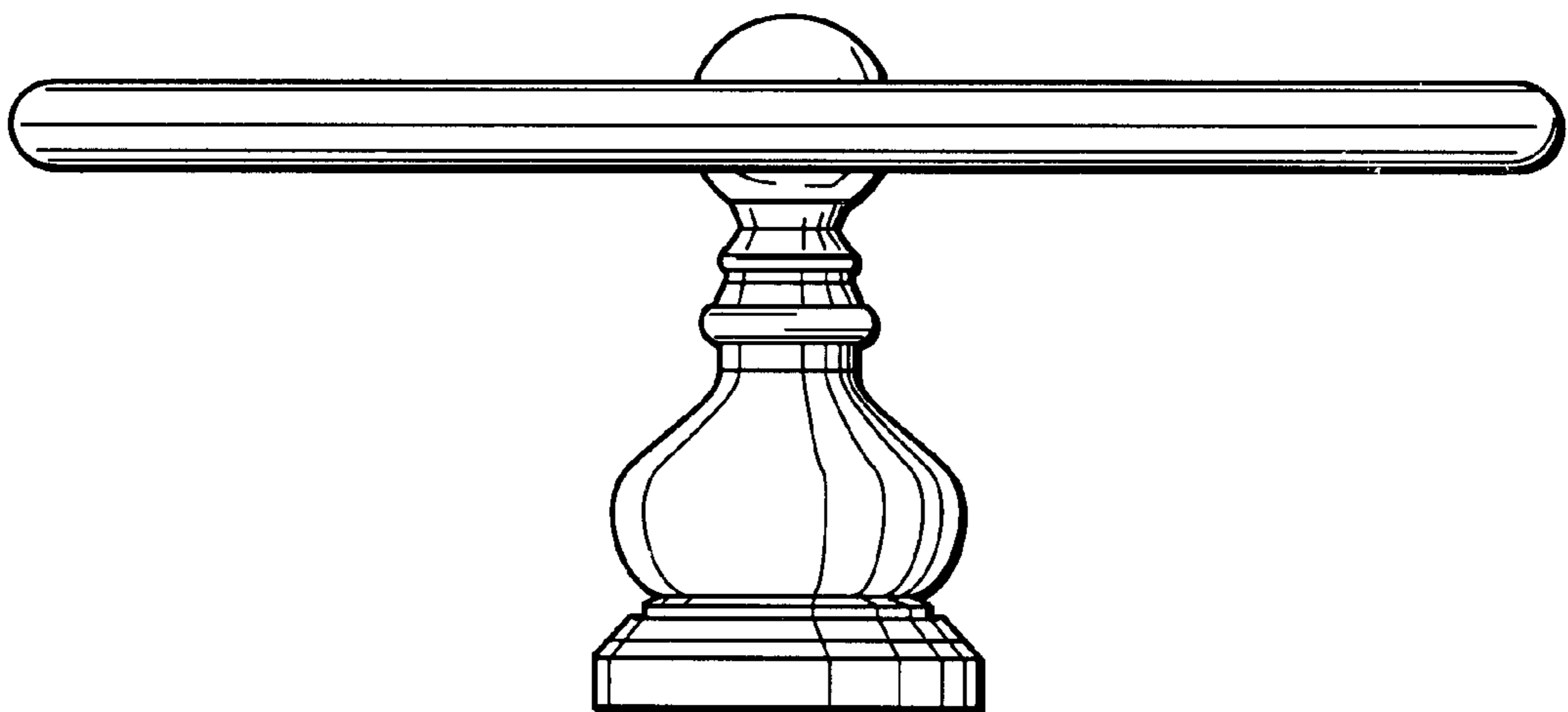


FIG. 3

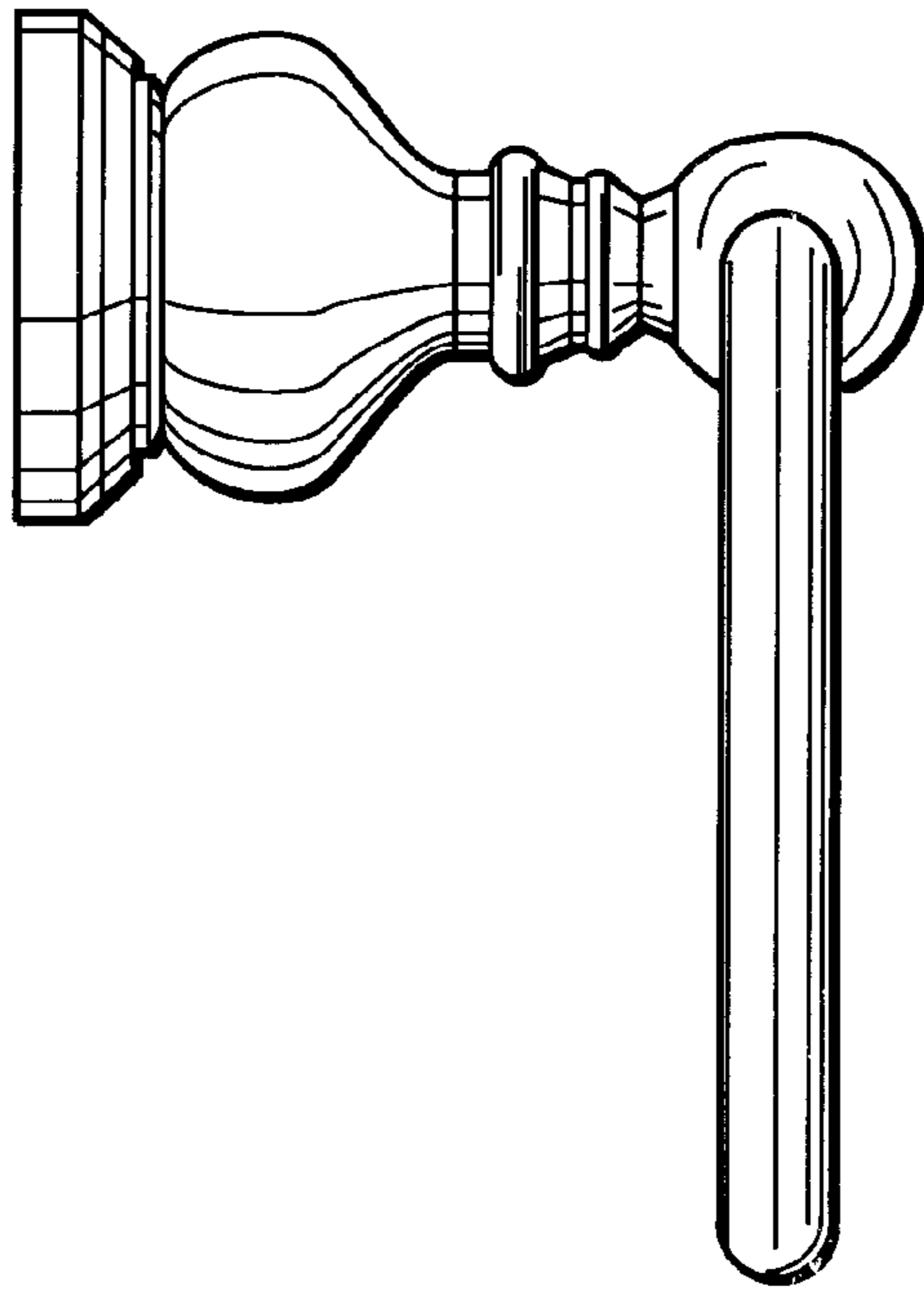


FIG. 4

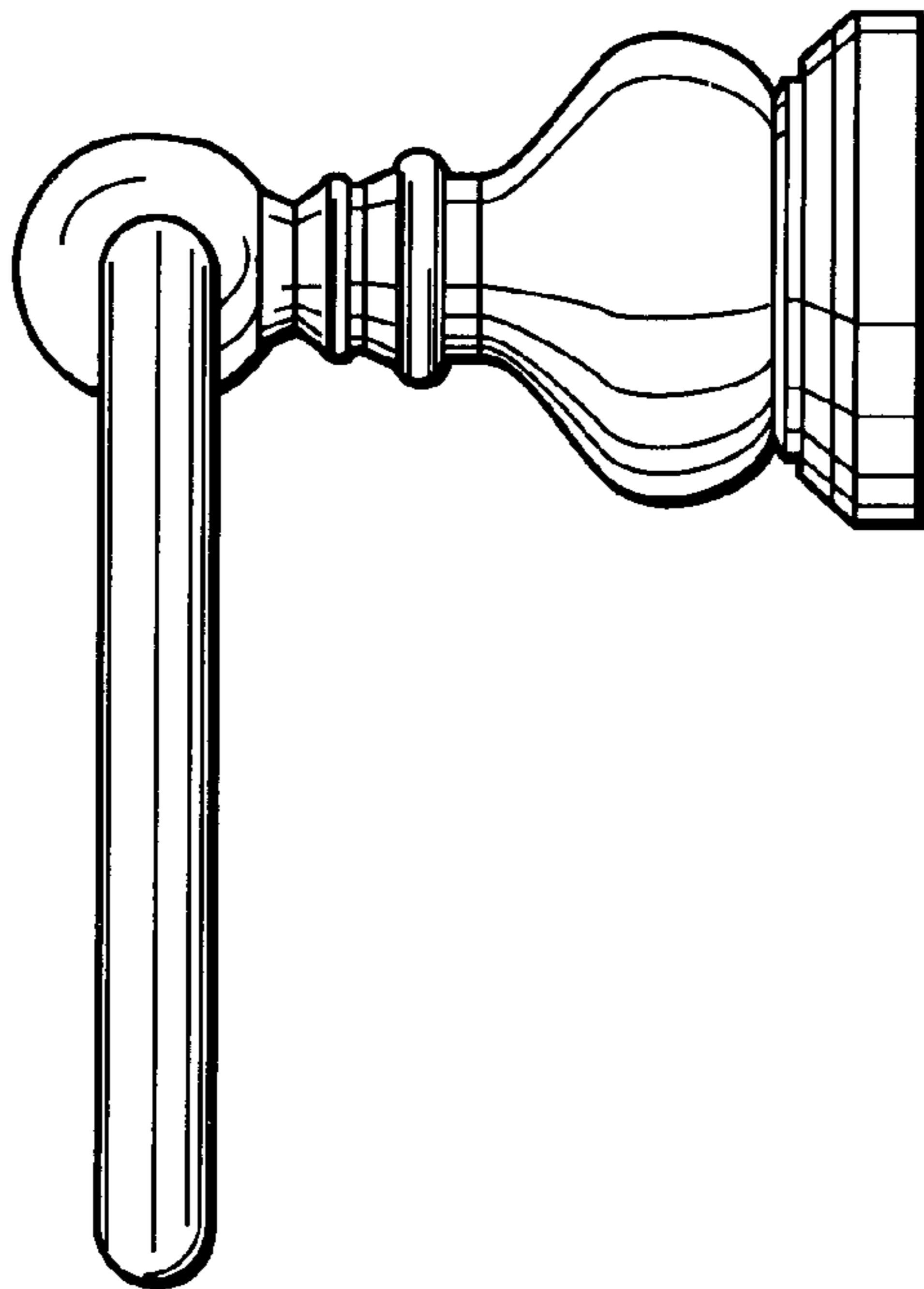


FIG. 5

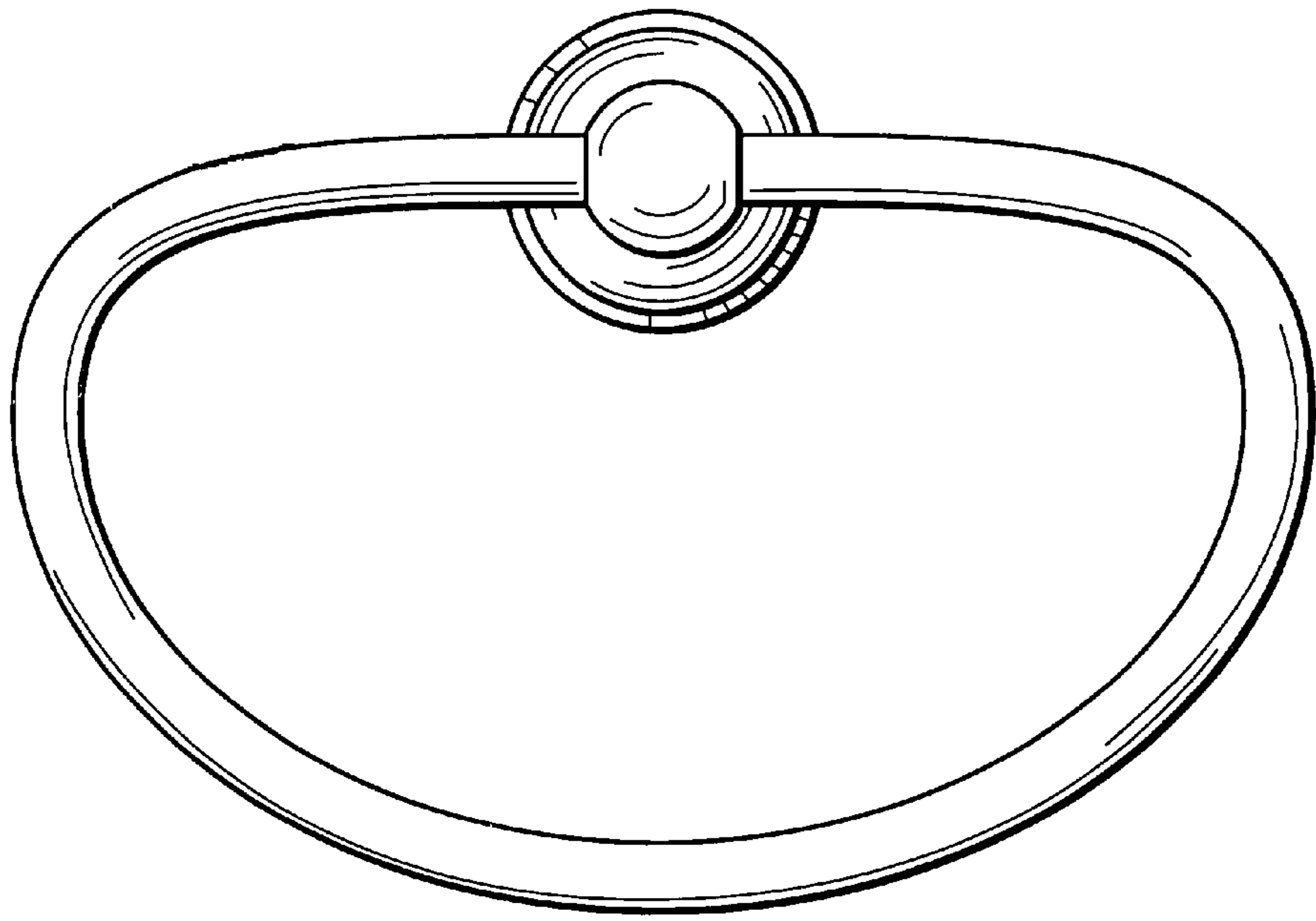


FIG. 6

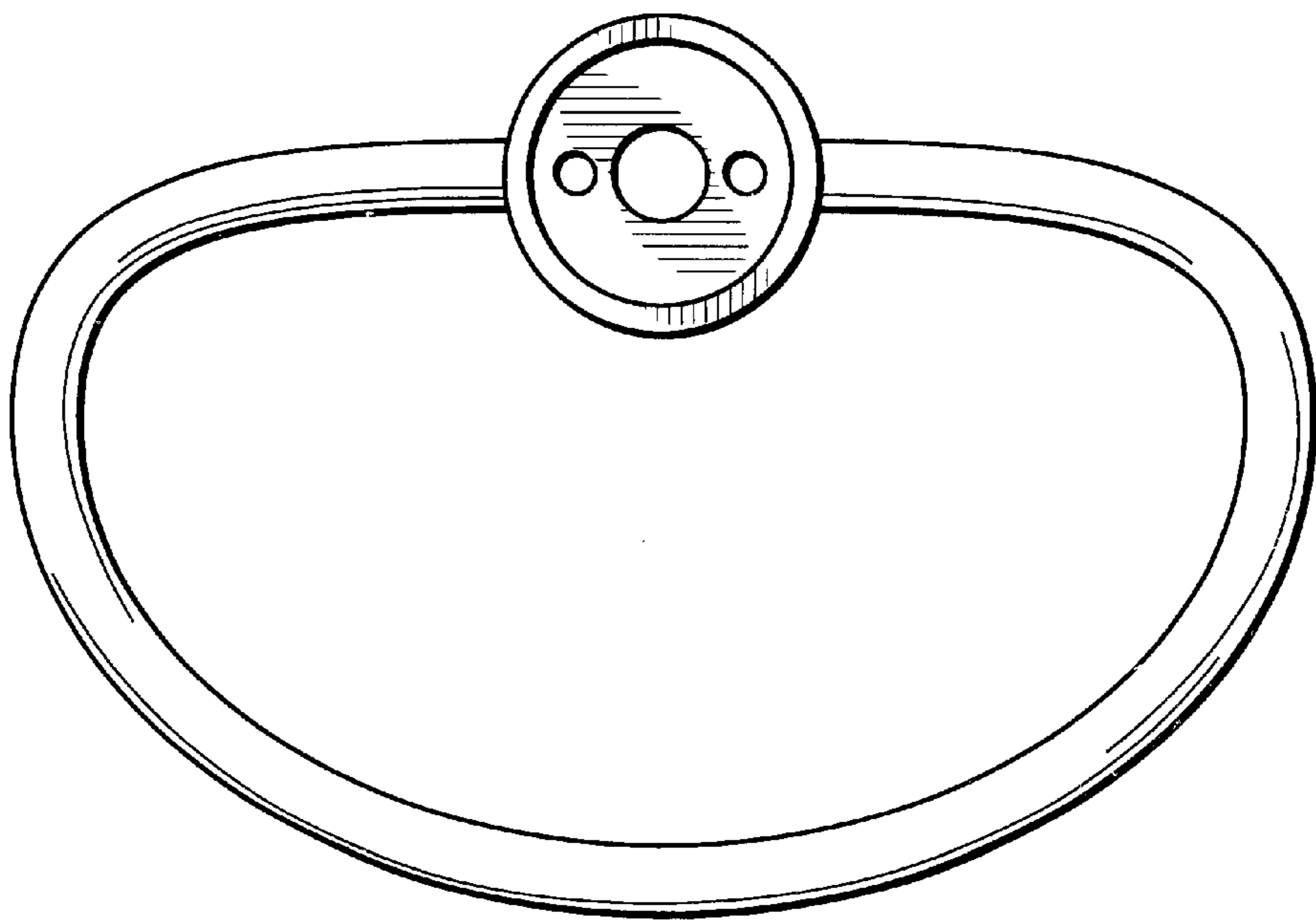


FIG. 7

UNITED STATES PATENT AND TRADEMARK OFFICE
CERTIFICATE OF CORRECTION

PATENT NO. : Des. 472,416 S
DATED : April 1, 2003
INVENTOR(S) : Kuo-Chi Yen

Page 1 of 1

It is certified that error appears in the above-identified patent and that said Letters Patent is hereby corrected as shown below:

Title page.

Item [22], Filed, delete “**November 30, 2001**” and insert -- **November 29, 2001** --.

Signed and Sealed this

Third Day of August, 2004

A handwritten signature in black ink on a dotted background. The signature reads "Jon W. Dudas" in a cursive style.

JON W. DUDAS

Acting Director of the United States Patent and Trademark Office