



US00D472415S

(12) **United States Design Patent**
Song

(10) **Patent No.:** **US D472,415 S**

(45) **Date of Patent:** **** Apr. 1, 2003**

(54) **APPARATUS FOR ENCLOSING AND
STORING ARTICLES, ESPECIALLY
PERSONAL HYGIENE ARTICLES**

(75) **Inventor:** **James Song**, Henderson, NV (US)

(73) **Assignee:** **Germ Terminator Corporation**,
Henderson, NV (US)

(**) **Term:** **14 Years**

(21) **Appl. No.:** **29/154,516**

(22) **Filed:** **Jan. 28, 2002**

(51) **LOC (7) Cl.** **23-02**

(52) **U.S. Cl.** **D6/528**

(58) **Field of Search** D6/524, 528, 534;
206/349, 361, 362, 362.1, 362.2, 362.3;
211/13.1, 65

(56) **References Cited**

U.S. PATENT DOCUMENTS

D324,792 S	*	3/1992	McElroy	D6/528
D389,686 S	*	1/1998	Drage	D6/528
D439,780 S	*	4/2001	Azo	D6/528
D461,670 S	*	8/2002	Hill	D6/528
D462,553 S	*	9/2002	Gerstmar	D6/528

* cited by examiner

Primary Examiner—Brian N. Vinson

(74) *Attorney, Agent, or Firm*—Fitzpatrick, Cella, Harper & Scinto

(57) **CLAIM**

The ornamental design for a apparatus for enclosing and storing articles, especially personal hygiene articles, as shown and described.

DESCRIPTION

FIG. 1 is a perspective view of the front of an apparatus for enclosing and storing articles, especially personal hygiene articles, with a transparent top cover (with toothbrushes typically being stored under the elongated top cover of the device);

FIG. 2 is a front view of the apparatus shown in FIG. 1;

FIG. 3 is a side view of the apparatus shown in FIG. 1;

FIG. 4 is a side view of the apparatus shown in FIG. 1;

FIG. 5 is a side view (opposite to that shown in FIG. 4) of the apparatus shown in FIG. 1;

FIG. 6 is a top view of the apparatus shown in FIG. 1;

FIG. 7 is a perspective view of the front of an apparatus for enclosing and storing articles, especially personal hygiene articles, with an opaque top cover (with toothbrushes typically being stored under the elongated top cover of the device);

FIG. 8 is a front view of the apparatus shown in FIG. 7;

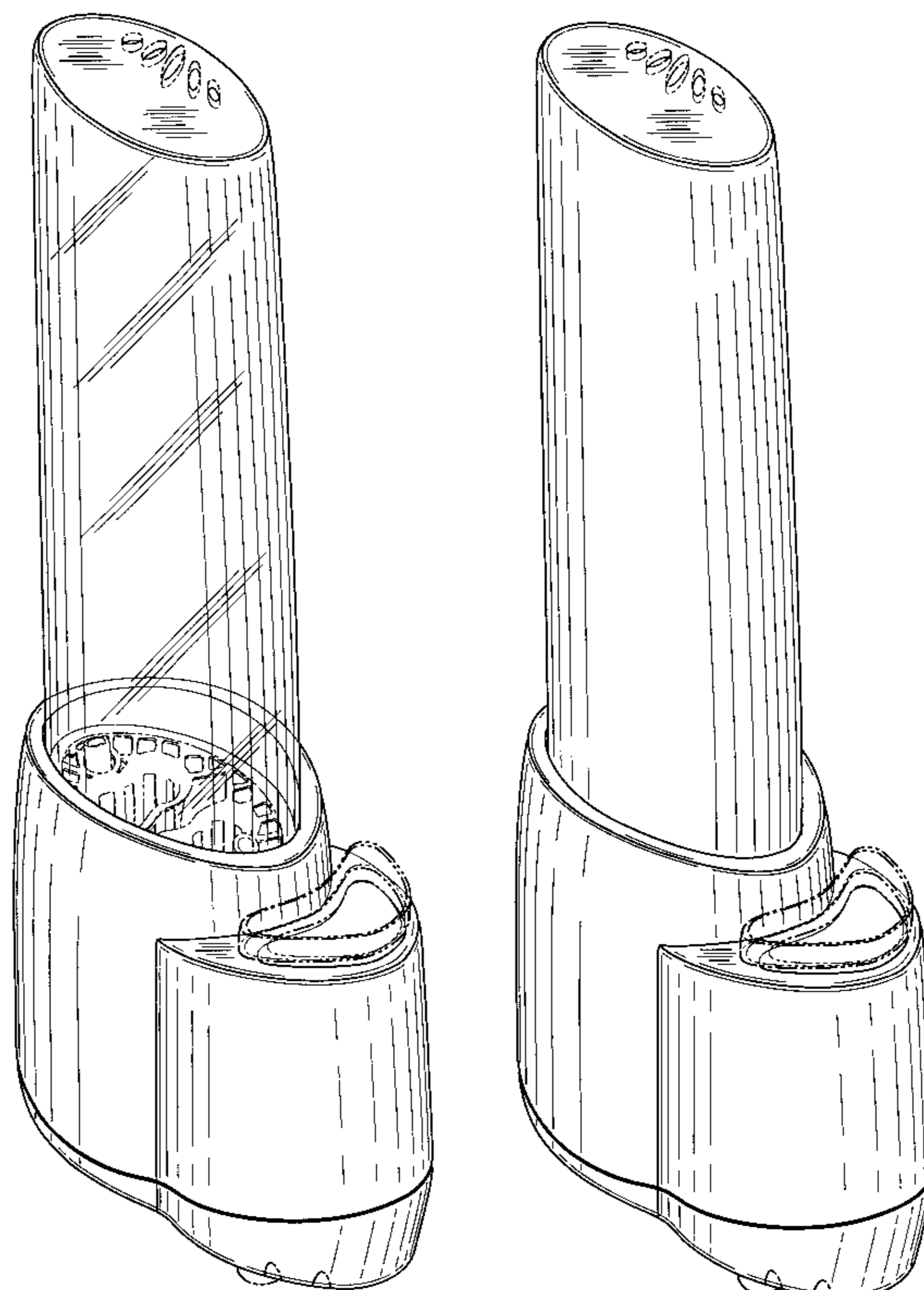
FIG. 9 is a side view of the apparatus shown in FIG. 7;

FIG. 10 is a side view of the apparatus shown in FIG. 7;

FIG. 11 is a side view (opposite to that shown in FIG. 10) of the apparatus shown in FIG. 7; and,

FIG. 12 is a top view of the apparatus shown in FIG. 7.

1 Claim, 12 Drawing Sheets



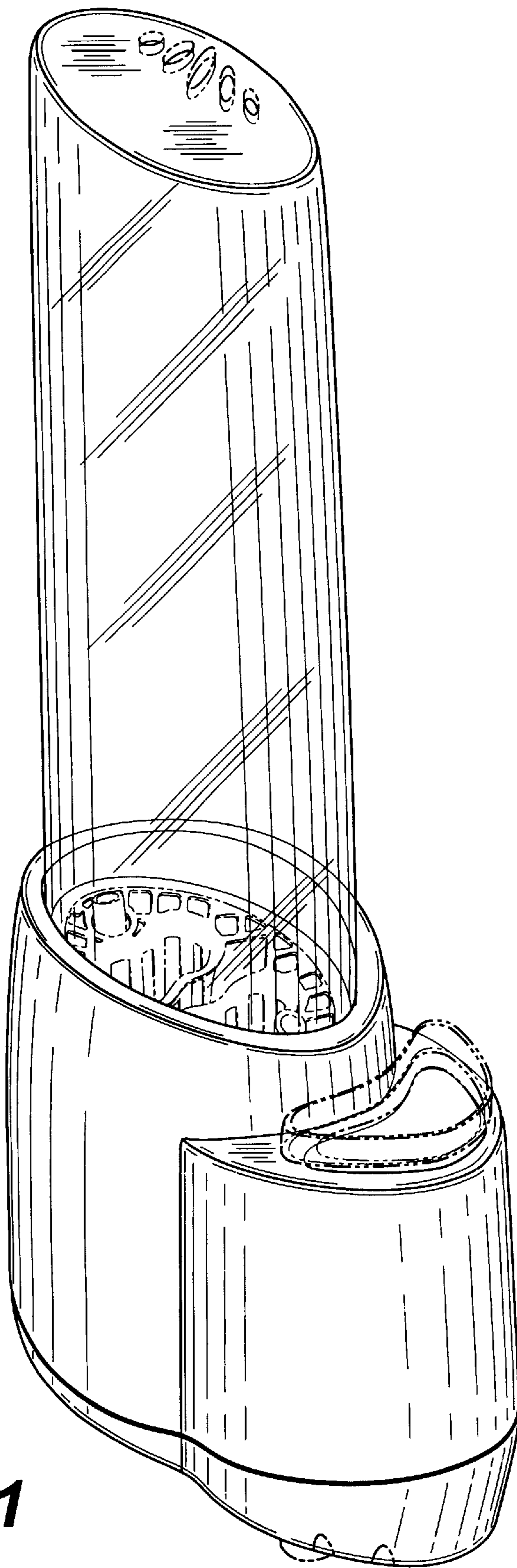


FIG. 1

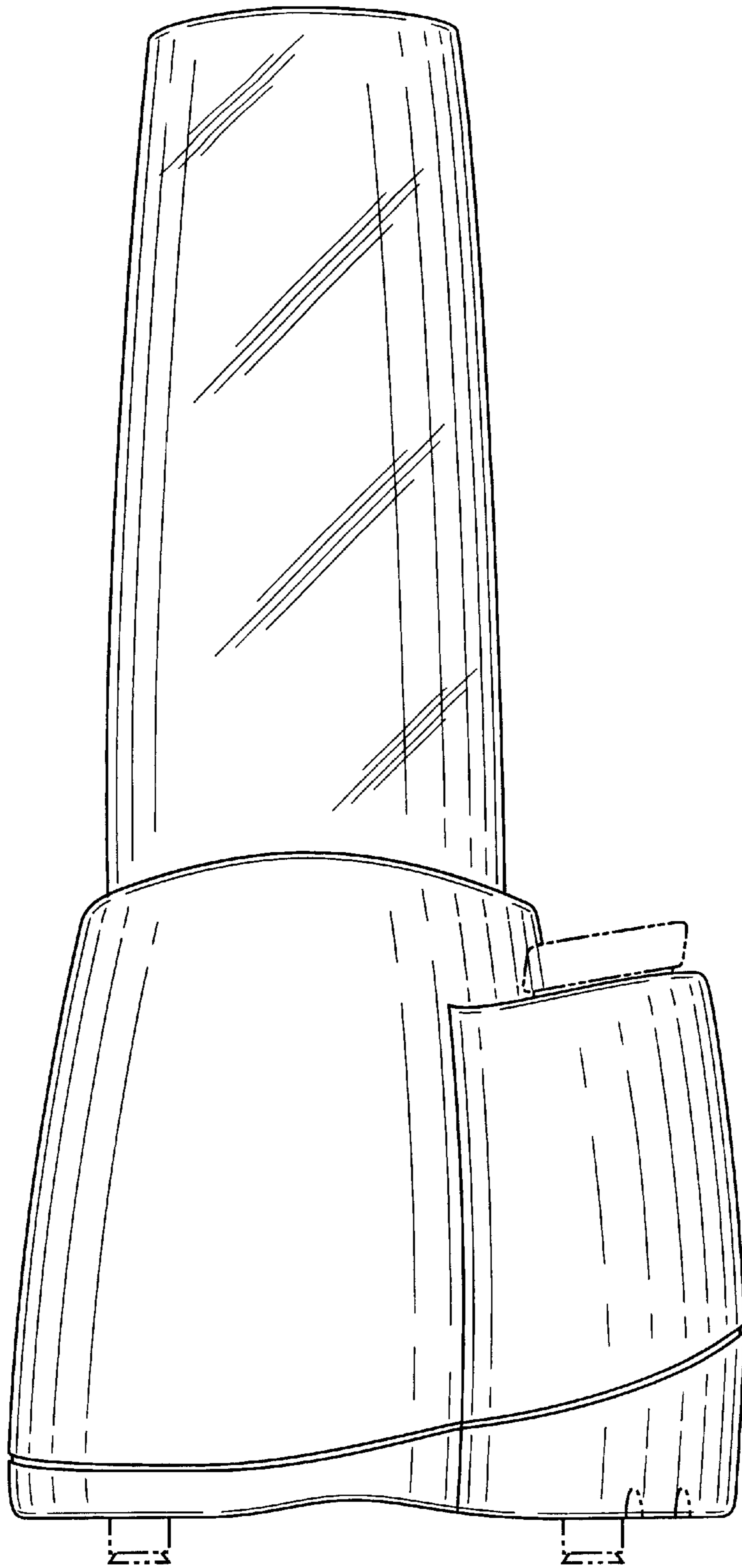


FIG. 2

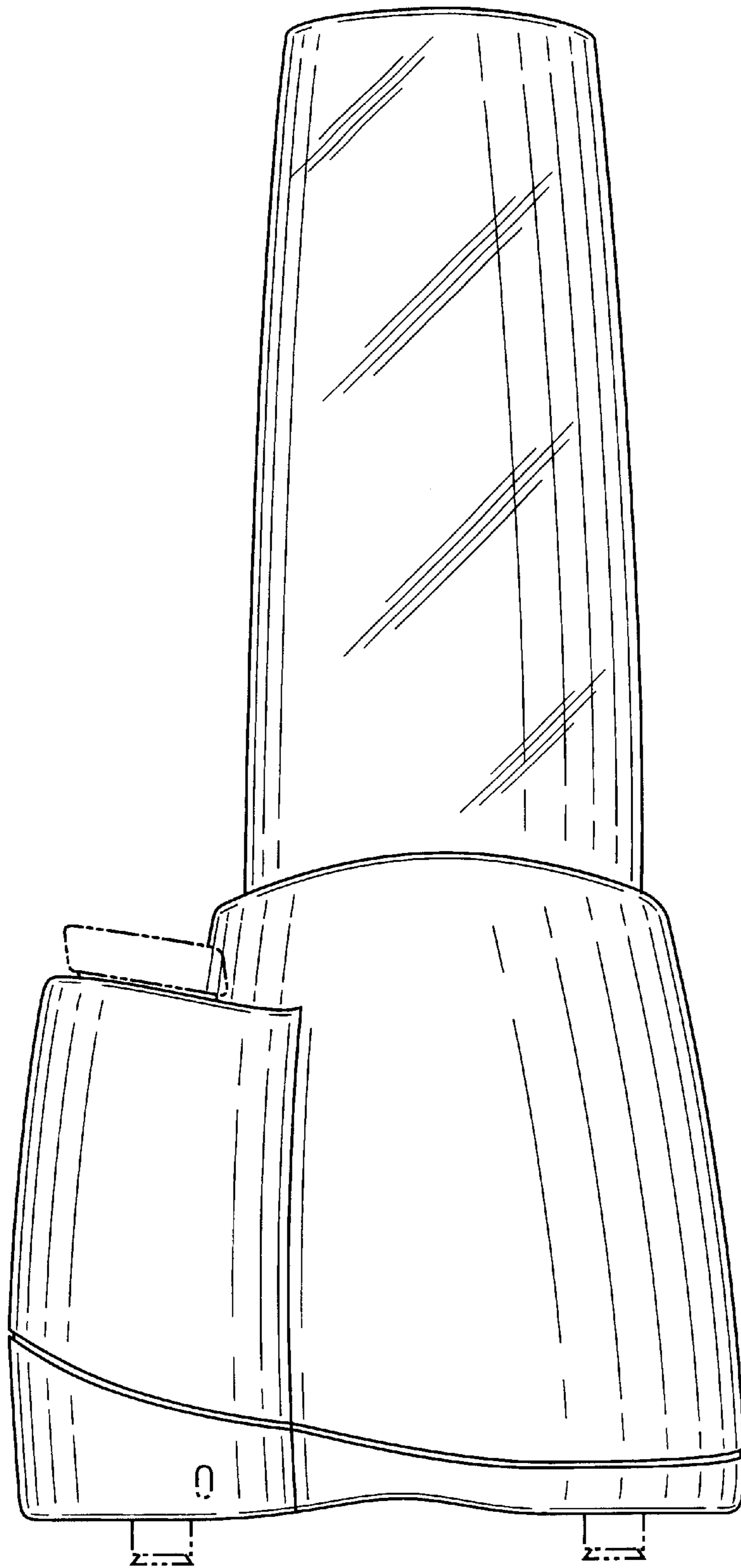


FIG. 3

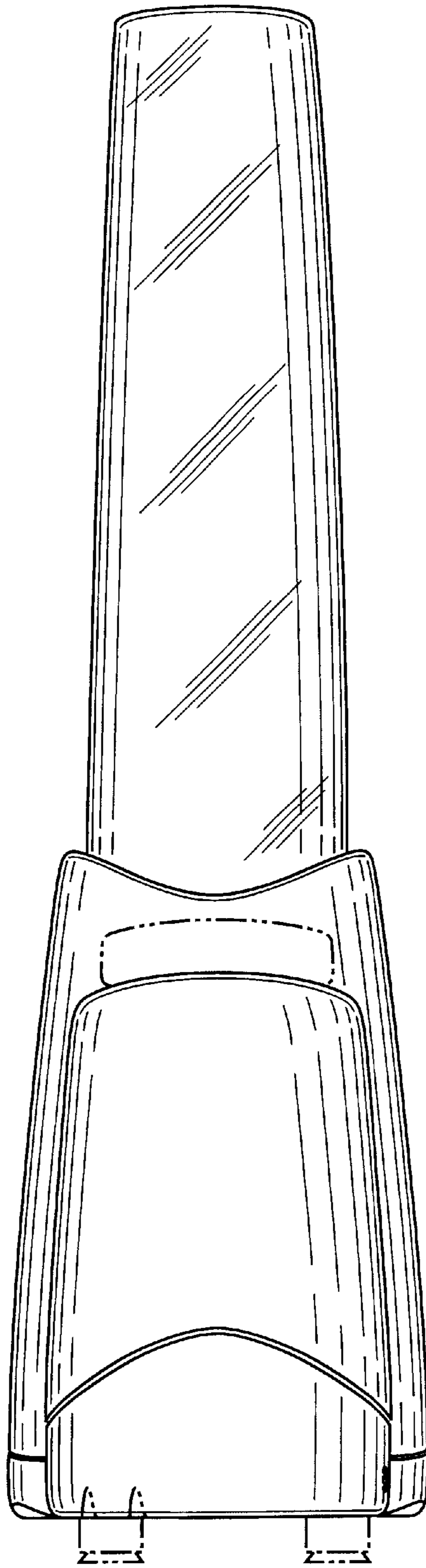


FIG. 4

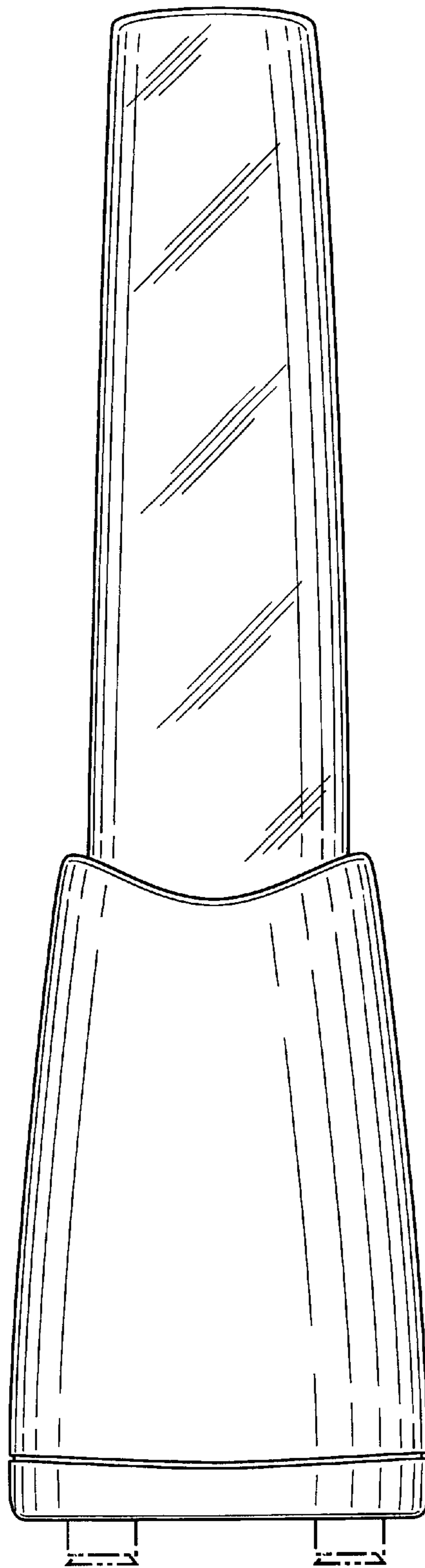


FIG. 5

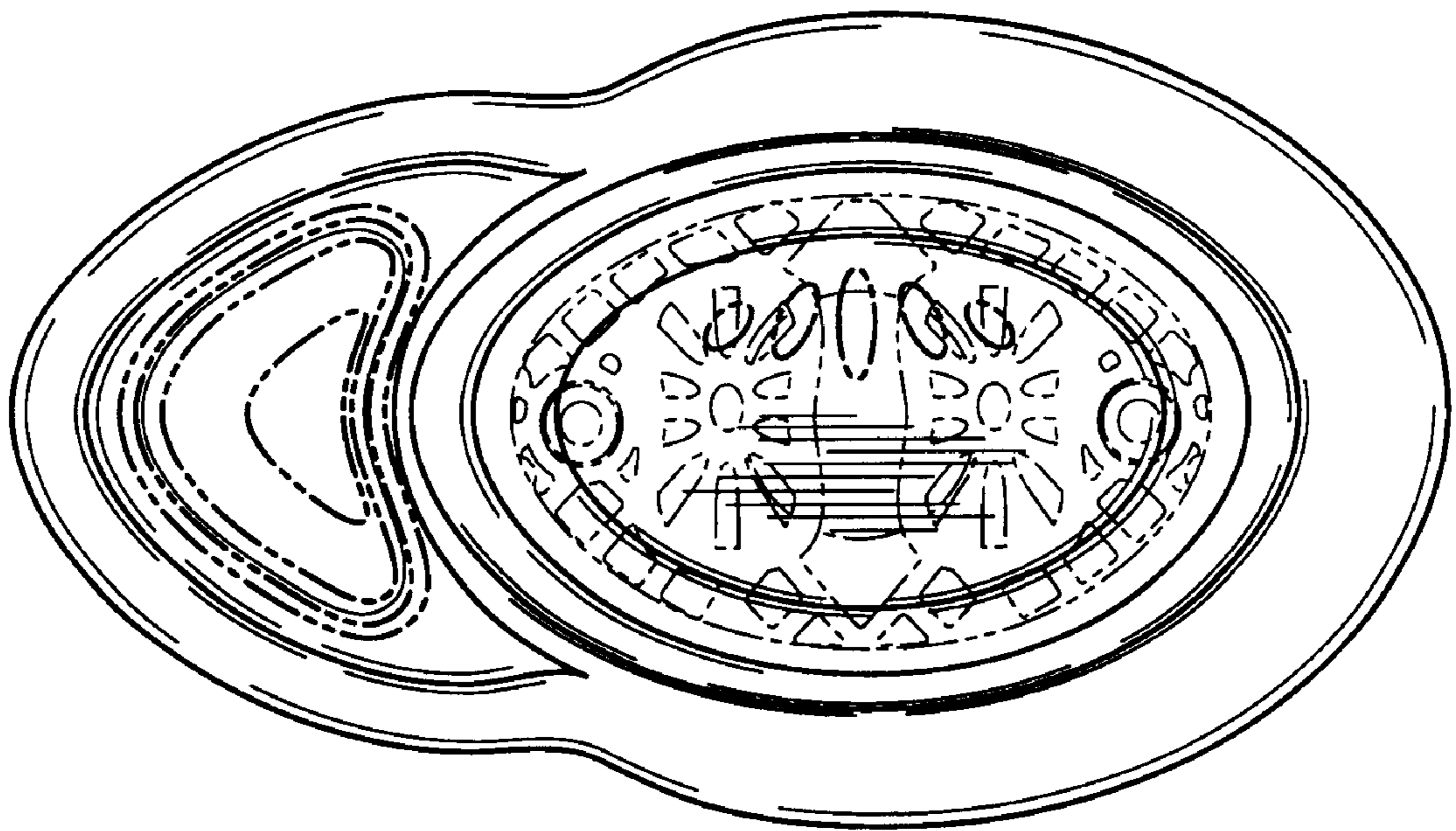


FIG. 6

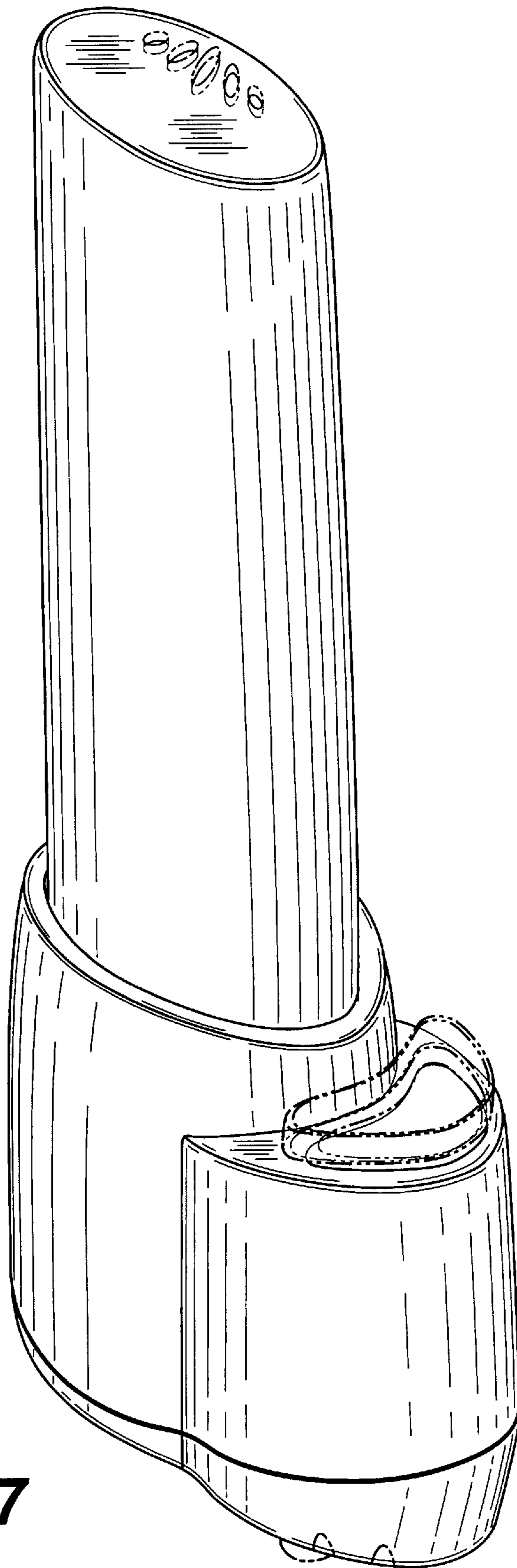


FIG. 7

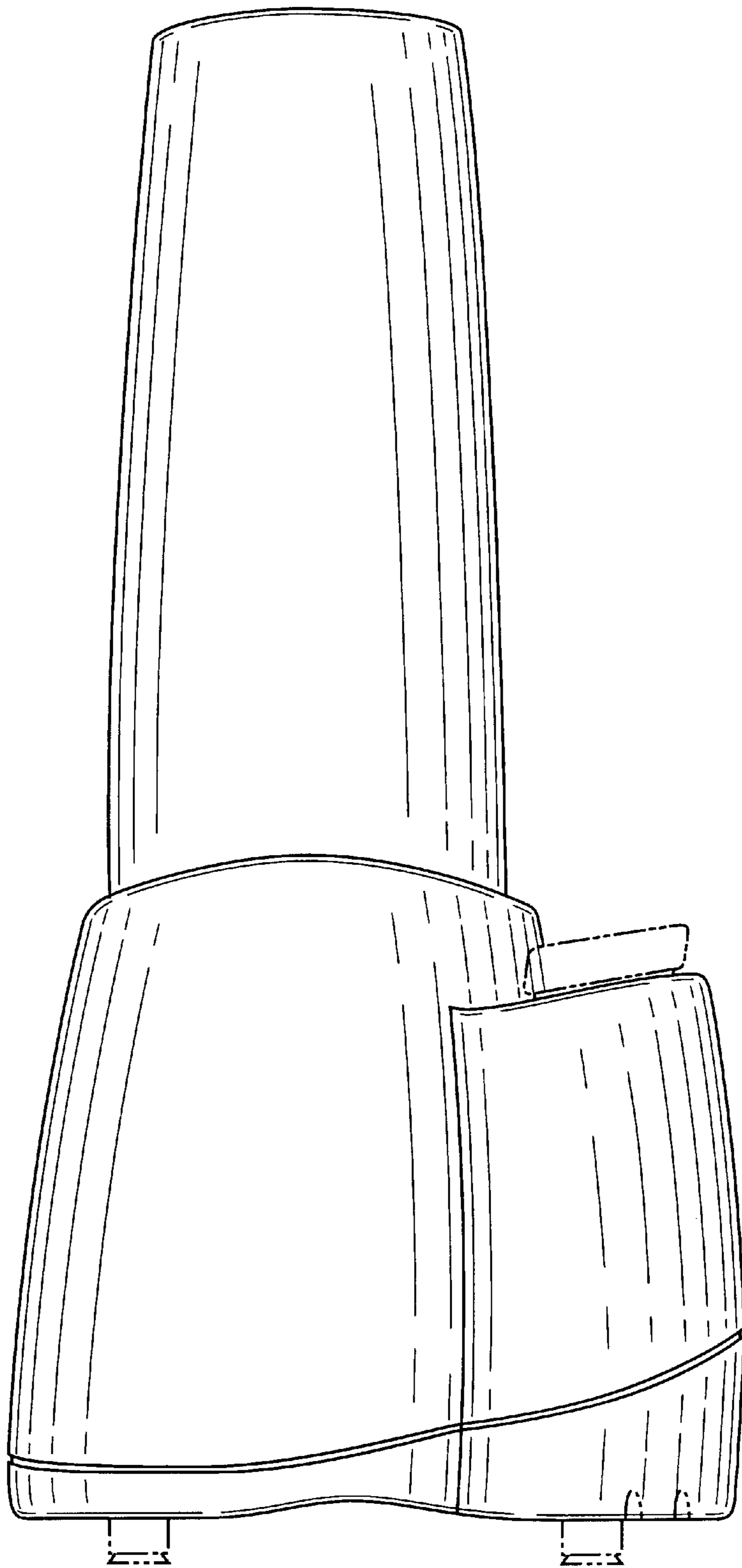


FIG. 8

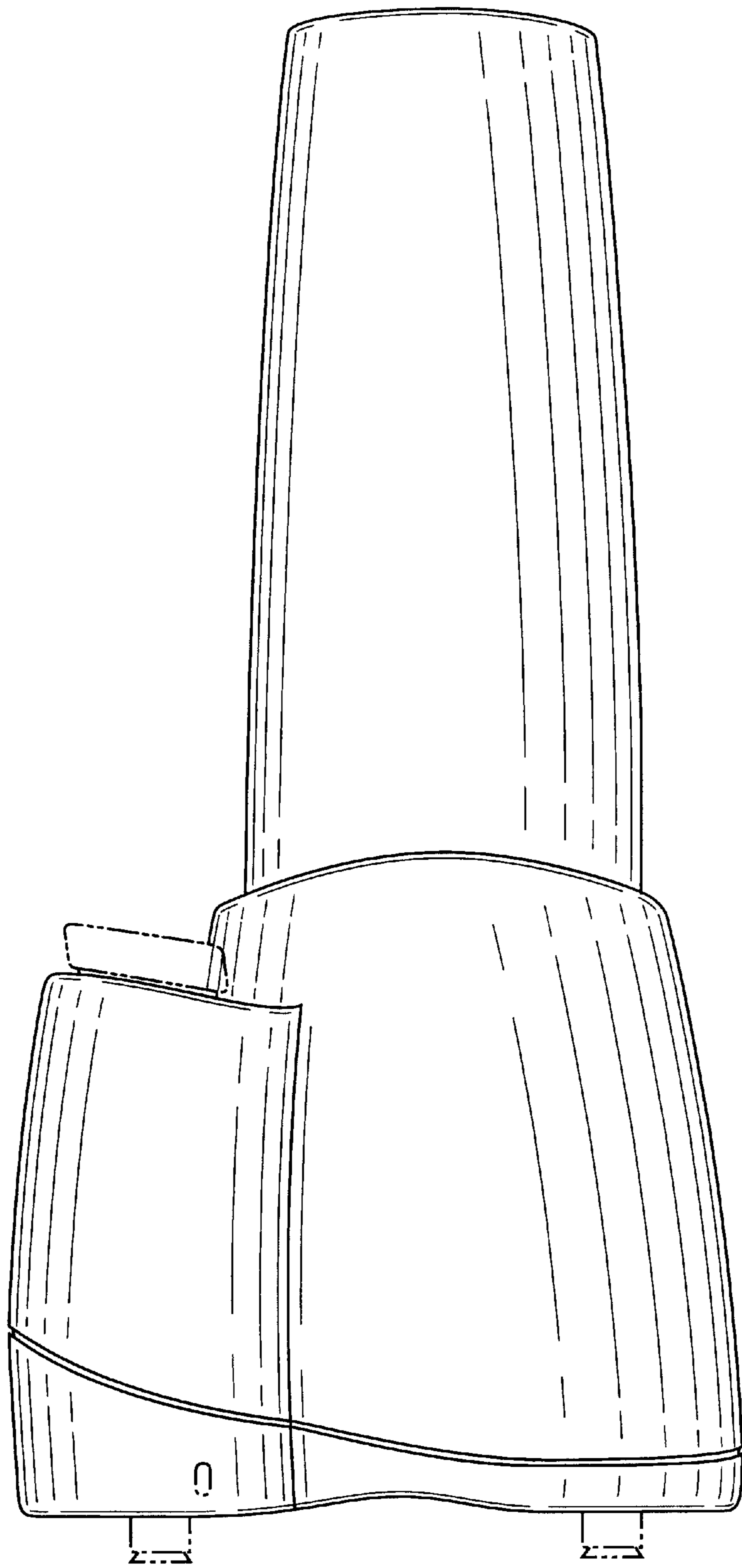


FIG. 9

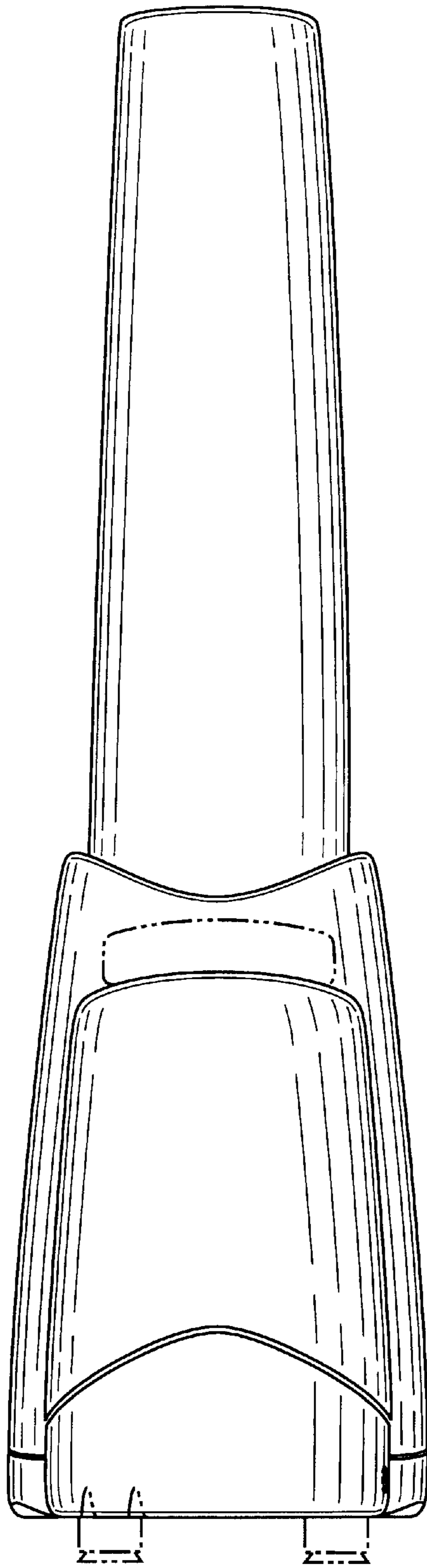


FIG. 10

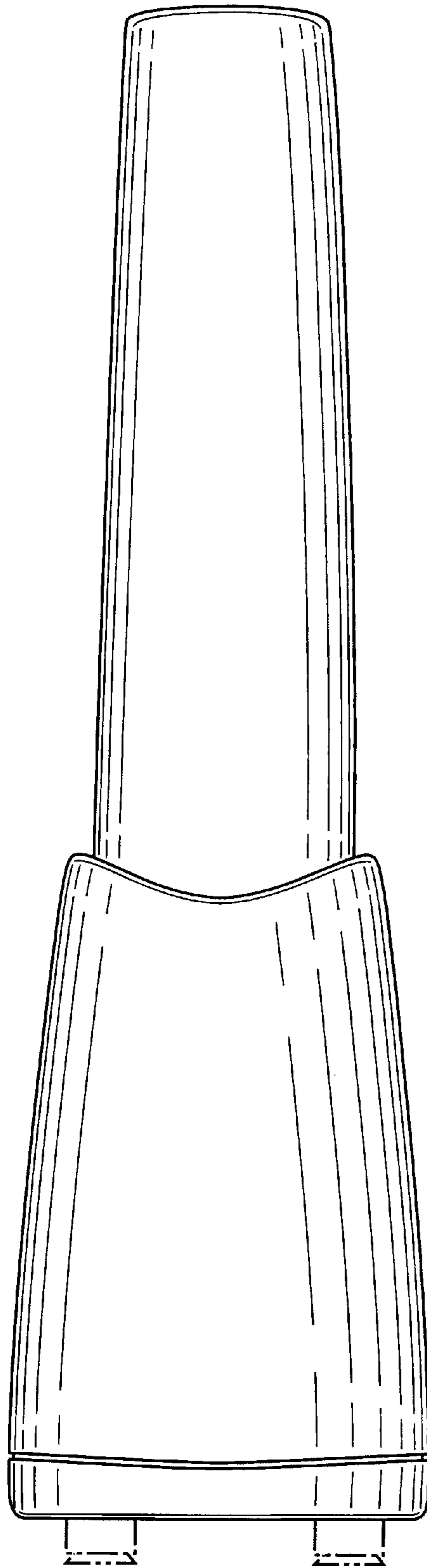


FIG. 11

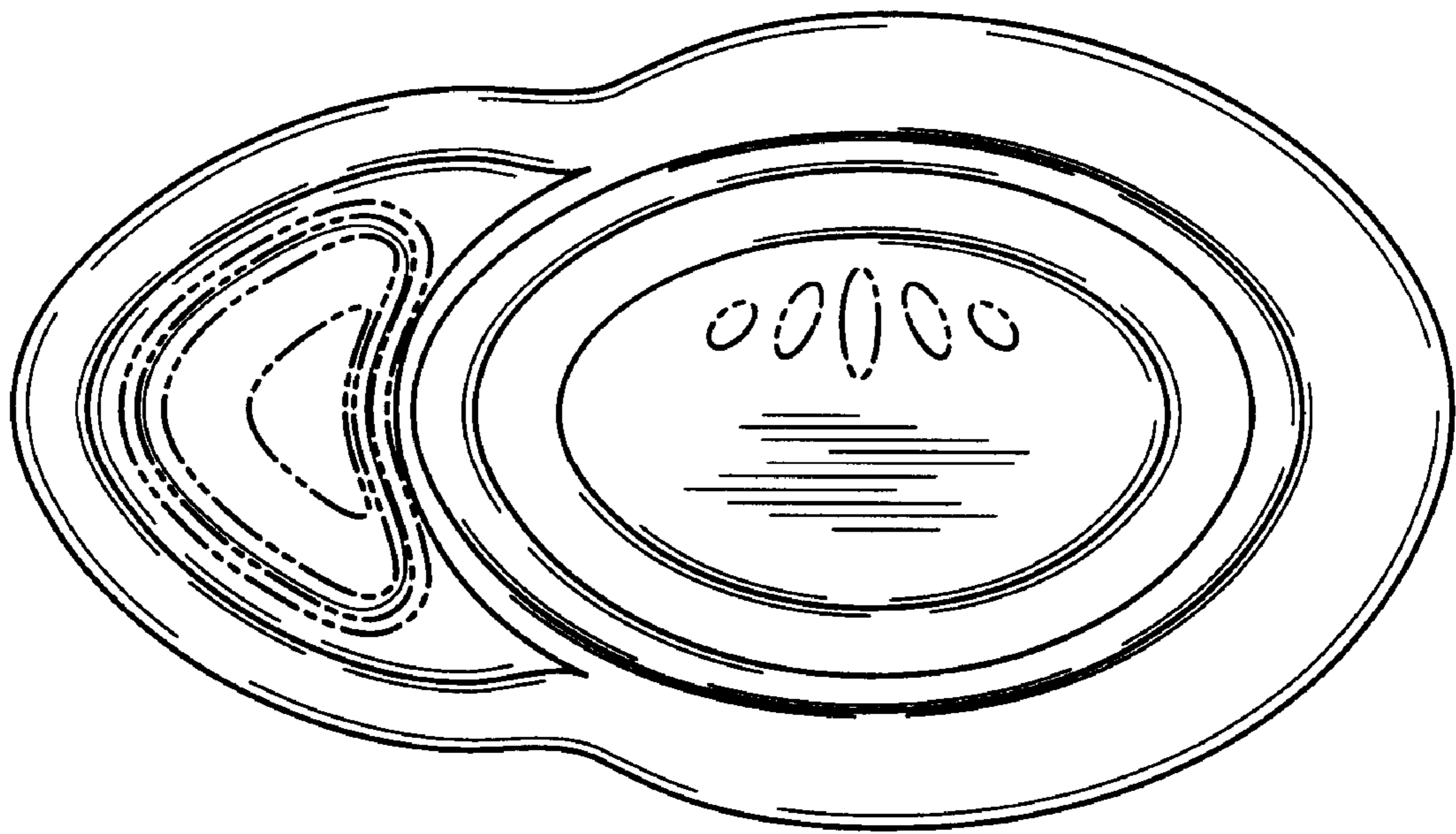


FIG. 12