



US00D472412S

(12) **United States Design Patent**
Goodman et al.

(10) **Patent No.:** **US D472,412 S**

(45) **Date of Patent:** **** Apr. 1, 2003**

(54) **PAPER TOWEL HOLDER**

(75) Inventors: **Sheldon H. Goodman**, 30905 Stratford,
Solon, OH (US) 44139; **Brian**
Stelmarski, Mayfield Hts., OH (US)

(73) Assignee: **Sheldon H. Goodman**, Solon, OH (US)

(**) Term: **14 Years**

(21) Appl. No.: **29/158,170**

(22) Filed: **Apr. 1, 2002**

(51) **LOC (7) Cl.** **23-02**

(52) **U.S. Cl.** **D6/522**

(58) **Field of Search** D6/546-50, 518,
D6/522-24; D8/300, 307-308, 315-21;
108/28-29; 211/13.1, 16, 60.1, 86.01, 87.01,
88.04, 100, 105.1-105.2, 123, 181.1, 182;
242/570, 590, 595, 597-98; 248/175, 176.1,
251, 302; 16/110.1, 412, 415

(56) **References Cited**

U.S. PATENT DOCUMENTS

D390,054 S * 2/1998 Goodman D6/522

D393,389 S * 4/1998 Thurston-Chartraw
et al. D6/523
D412,803 S * 8/1999 Goodman et al. D6/521
D432,828 S * 10/2000 Snell D6/522
D438,737 S * 3/2001 Goodman et al. D6/522
D452,398 S * 12/2001 Hollinger D6/522

* cited by examiner

Primary Examiner—Brian N. Vinson

(74) *Attorney, Agent, or Firm*—Pearne & Gordon LLP

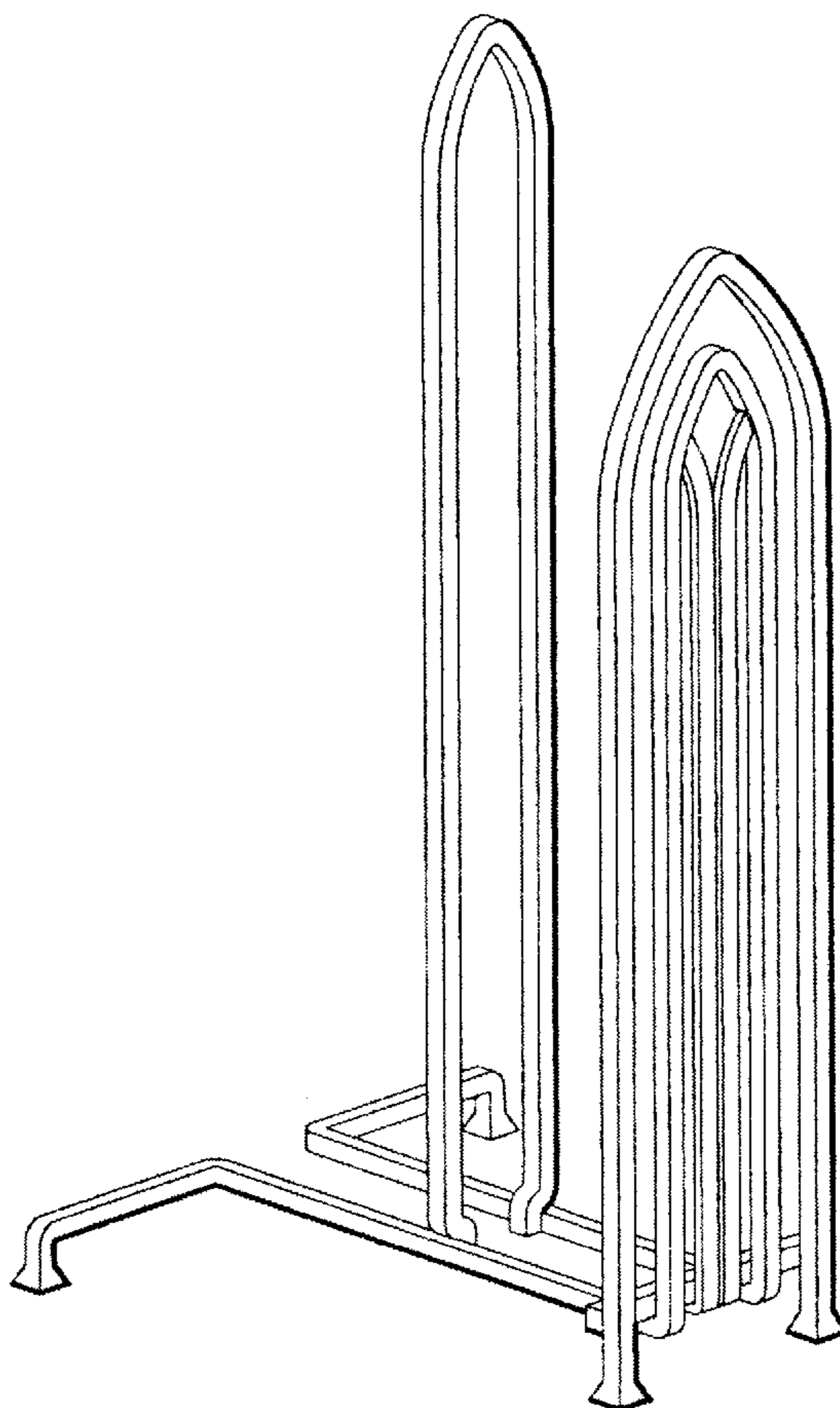
(57) **CLAIM**

The ornamental design for a paper towel holder, as shown and described.

DESCRIPTION

FIG. 1 is a front, side and top perspective view of a paper towel holder showing our new design;
FIG. 2 is a front elevational view thereof;
FIG. 3 is a bottom plan view thereof;
FIG. 4 is a rear elevational view thereof;
FIG. 5 is a top plan view thereof; and,
FIG. 6 is a side elevational view thereof.

1 Claim, 2 Drawing Sheets



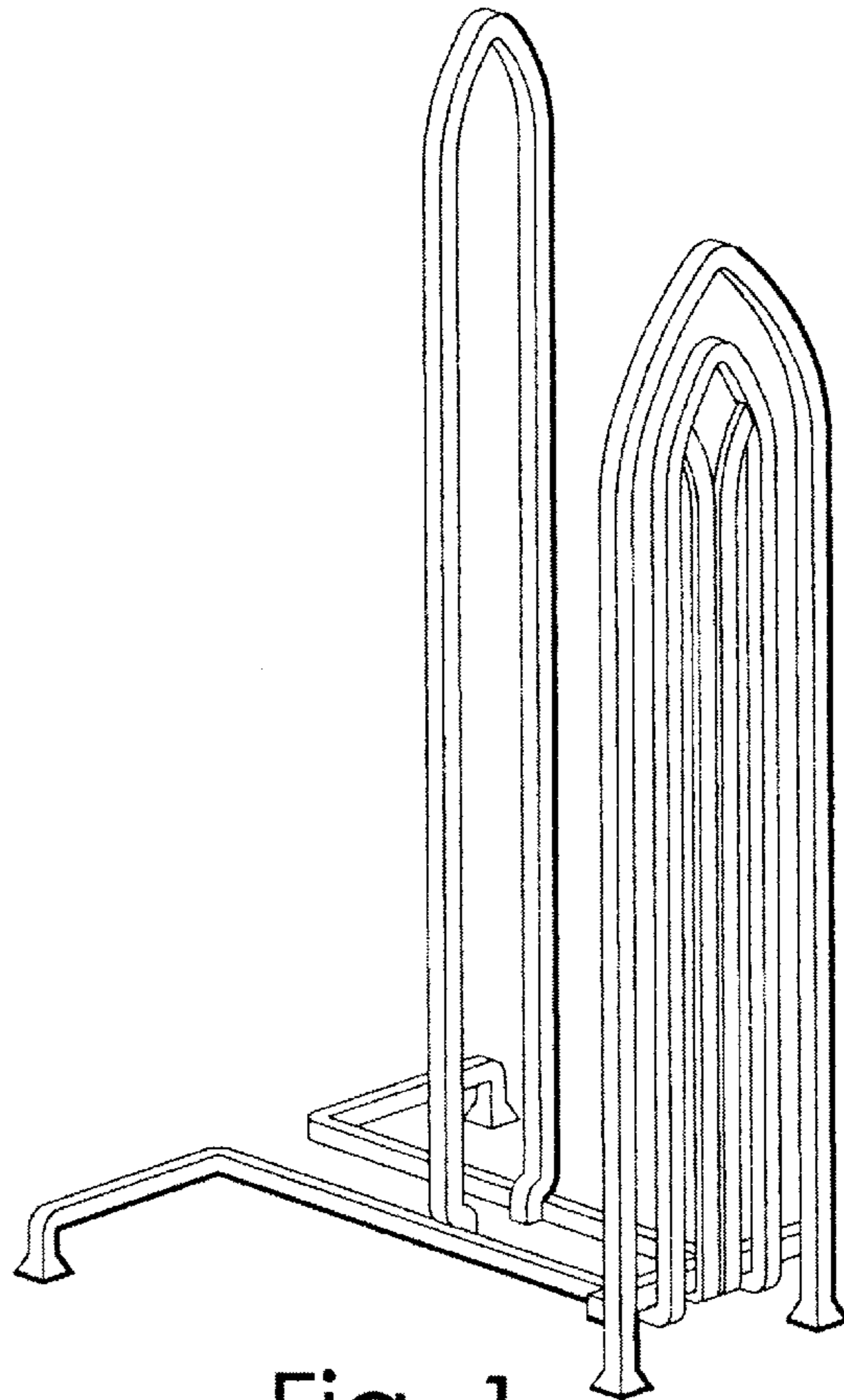


Fig. 1

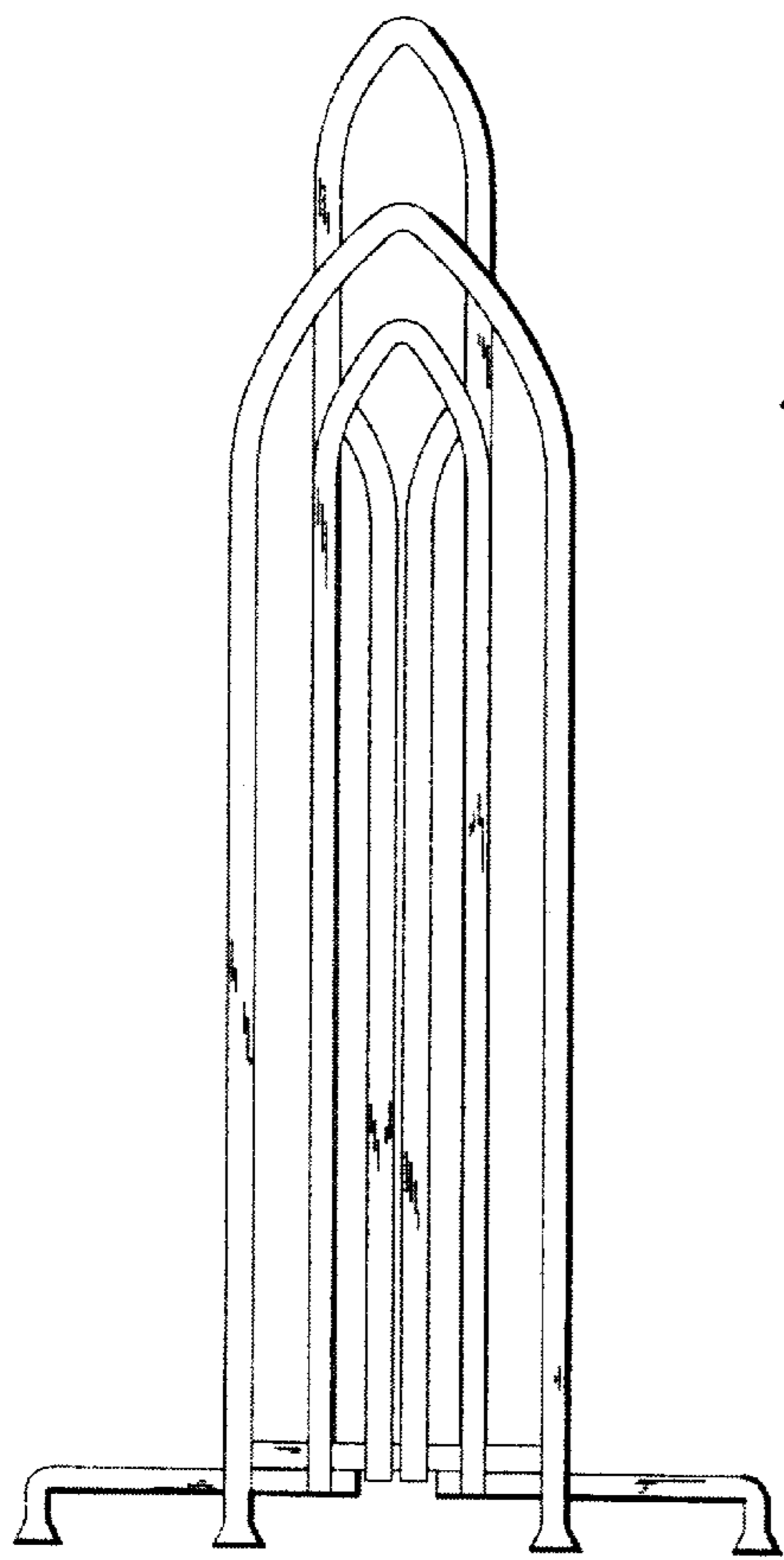


Fig. 2

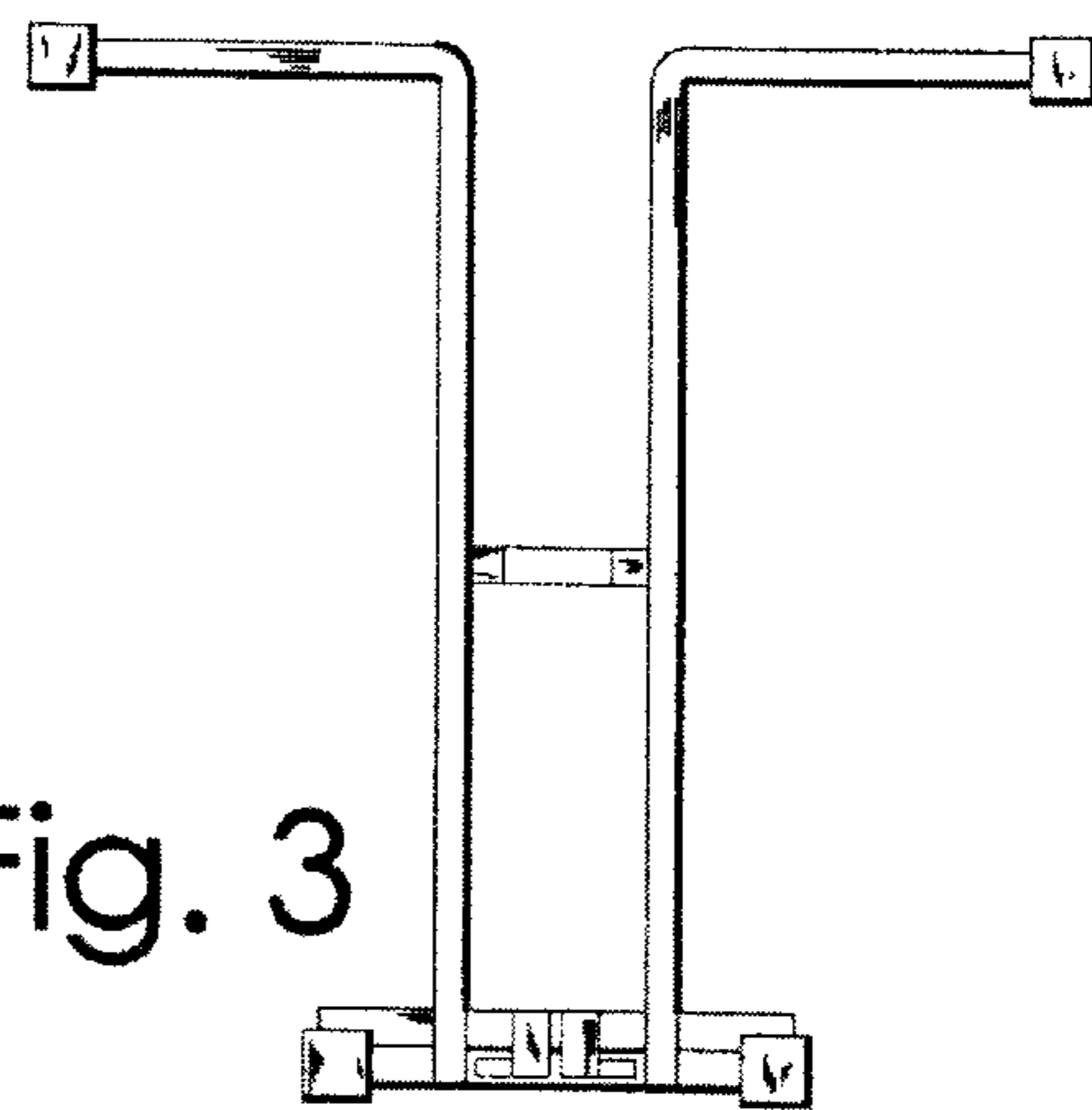


Fig. 3

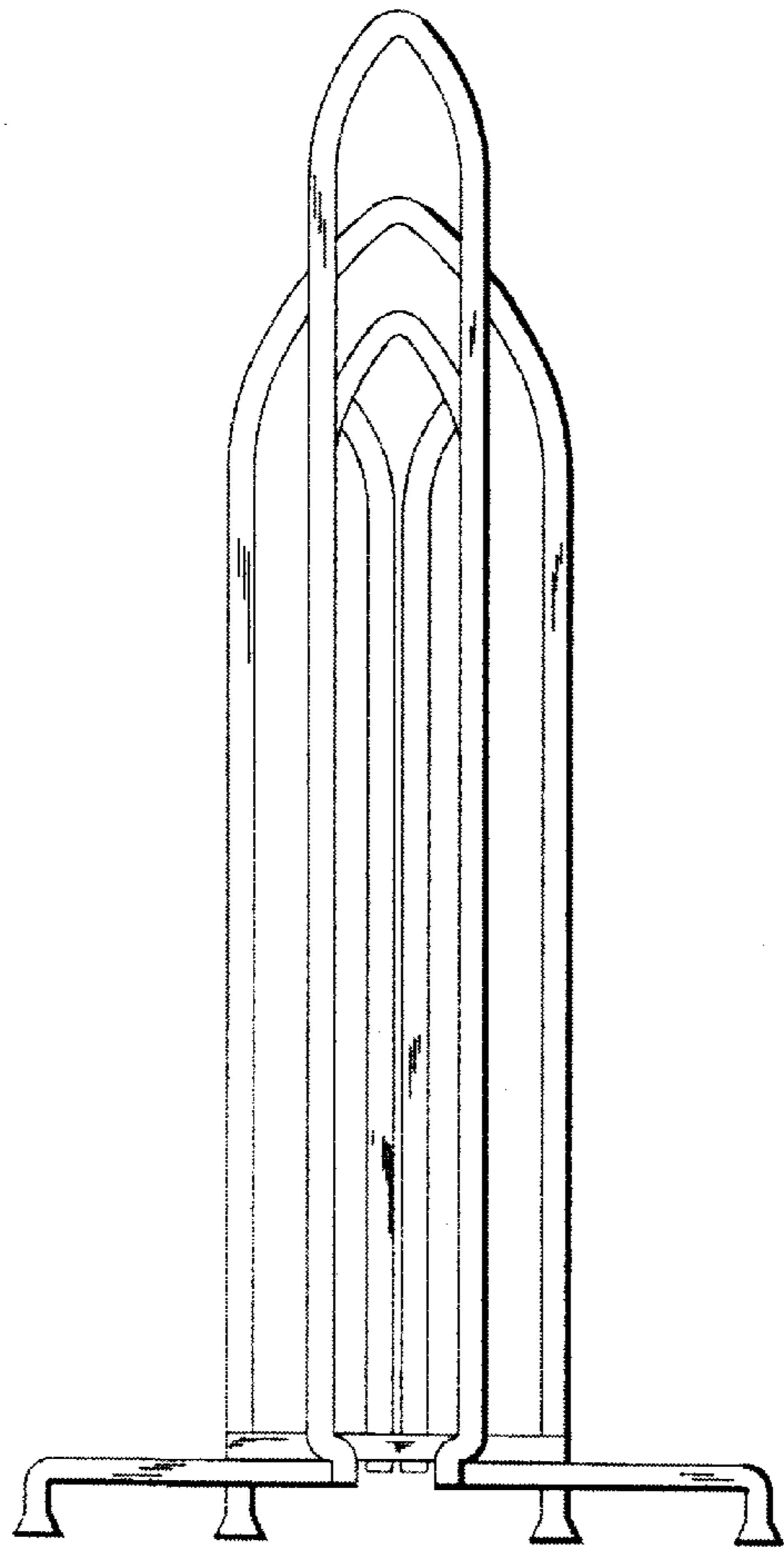


Fig. 4

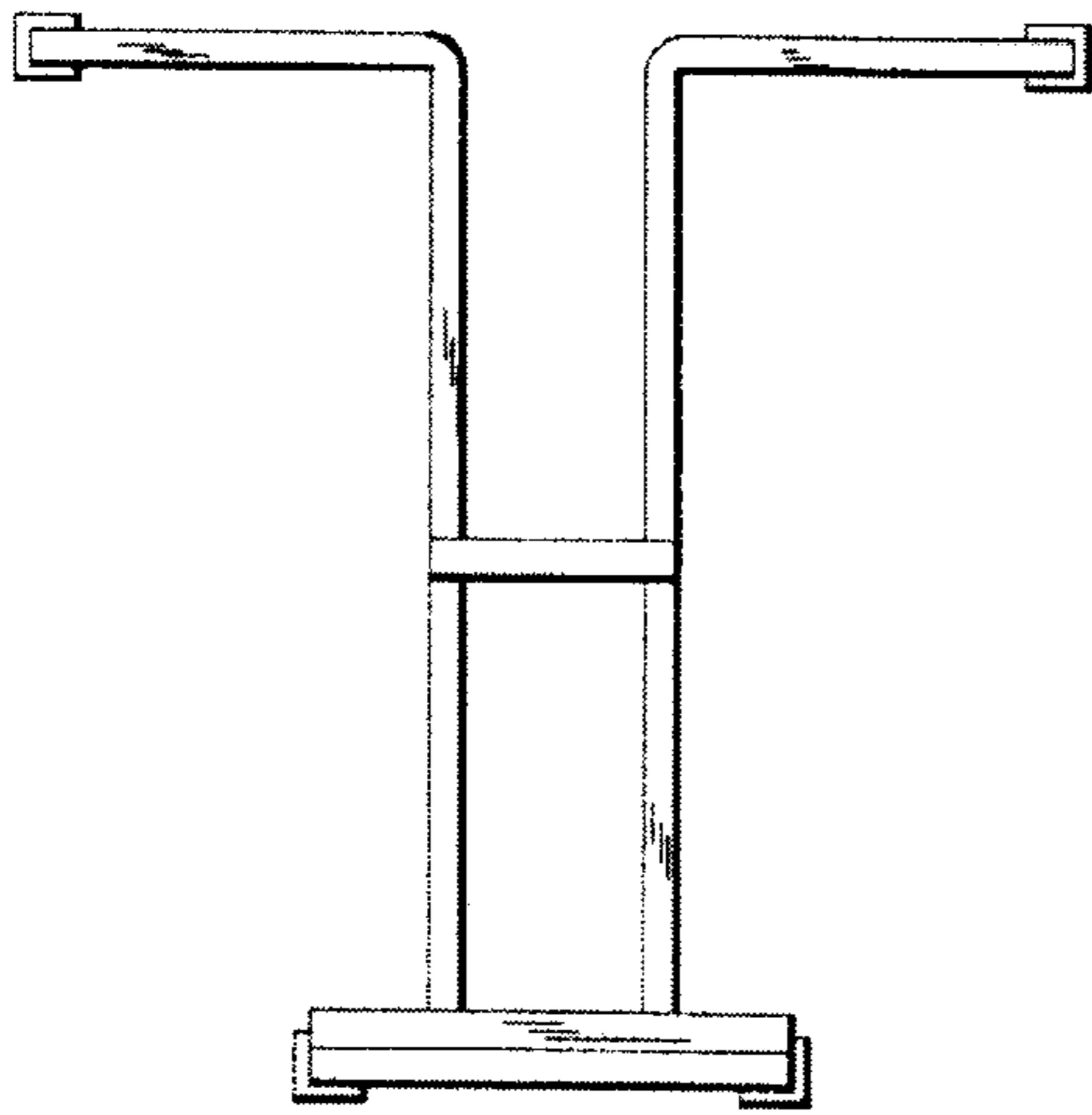


Fig. 5

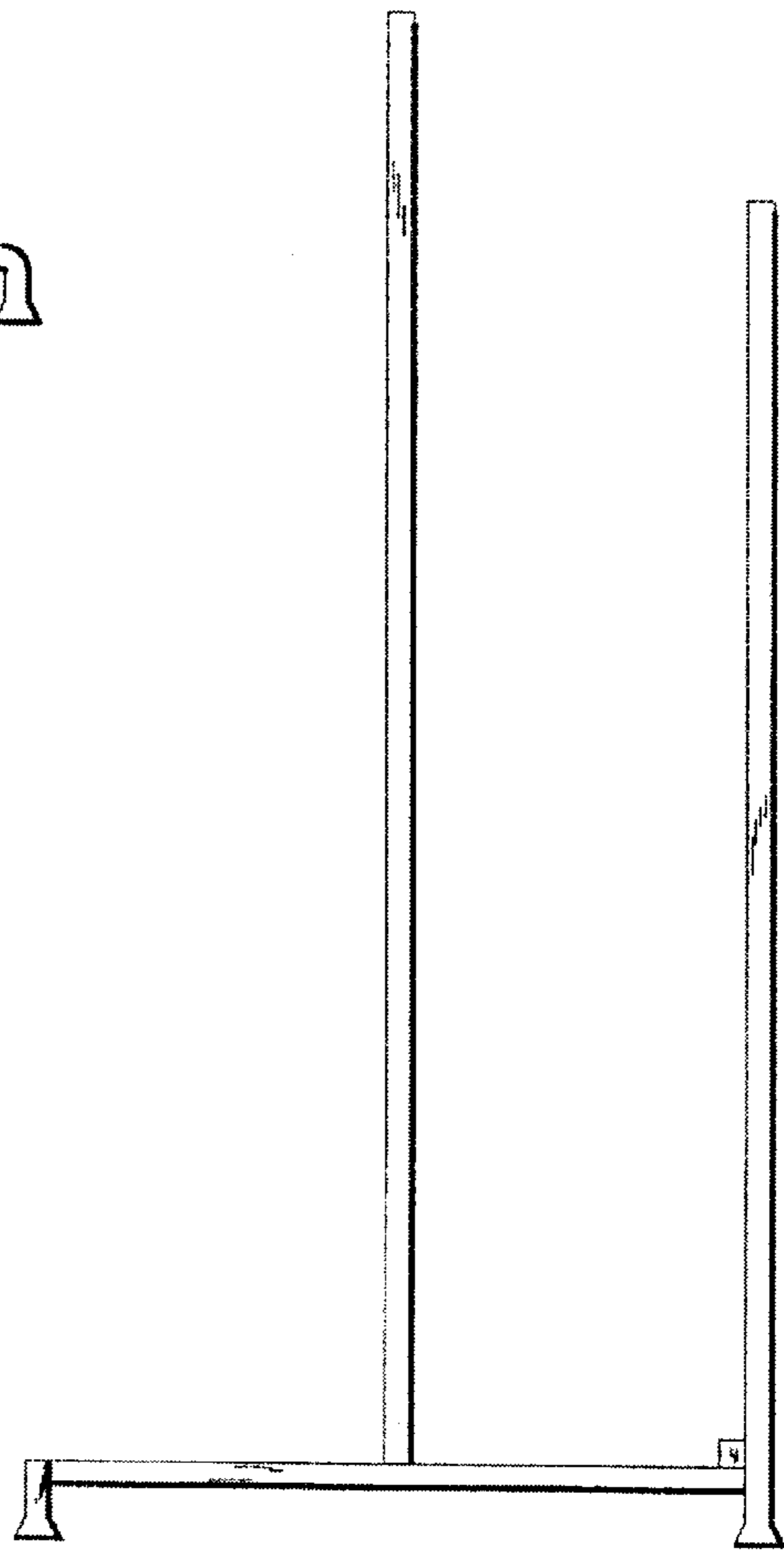


Fig. 6