



US00D472410S

(12) **United States Design Patent**
Yeh

(10) **Patent No.:** **US D472,410 S**

(45) **Date of Patent:** **** Apr. 1, 2003**

(54) **ARMREST**

(76) **Inventor:** **John Yeh**, 800 B Iowa Ave., Riverside,
CA (US) 92507

(**) **Term:** **14 Years**

(21) **Appl. No.:** **29/166,199**

(22) **Filed:** **Aug. 23, 2002**

(51) **LOC (7) Cl.** **06-06**

(52) **U.S. Cl.** **D6/501**

(58) **Field of Search** D6/334, 335, 371,
D6/373, 374, 375, 376, 379, 380, 381,
500, 501, 502; 297/448.1, 448.2

(56) **References Cited**

U.S. PATENT DOCUMENTS

D142,758 S	*	10/1945	Weill	D6/375
D166,910 S	*	6/1952	Goldberg	D6/373
D408,165 S	*	4/1999	Kemnitzer	D6/379

* cited by examiner

Primary Examiner—Gary D. Watson

(74) *Attorney, Agent, or Firm*—Intellepharm, Inc.; Manfred
E. Wolff

(57) **CLAIM**

The ornamental design for an armrest, as shown and
described.

DESCRIPTION

FIG. 1 is a perspective right view of an armrest showing my
new design in full lines with the broken line showing of
environmental association matter being for illustrative pur-
poses only and forming no part of the claimed design, the
perspective left view being a mirror image of said perspec-
tive right view;

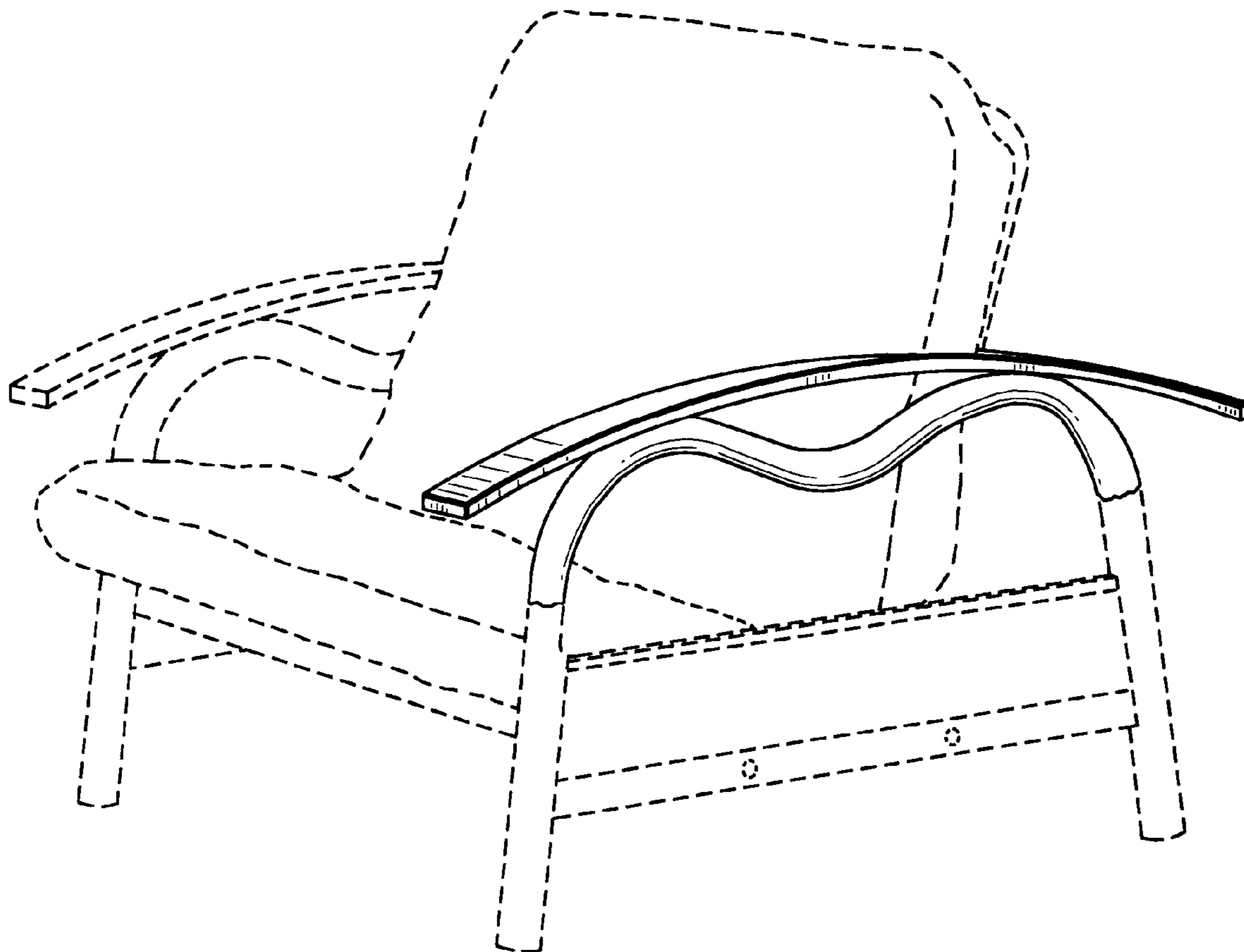
FIG. 2 is a top plan view thereof;

FIG. 3 is a right side elevational view thereof, the left side
elevational view being a mirror image of said right side
elevational view;

FIG. 4 is a bottom plan view thereof; and,

FIG. 5 is a front elevational view thereof, the rear elevational
view being a mirror image of said front elevational view.

1 Claim, 2 Drawing Sheets



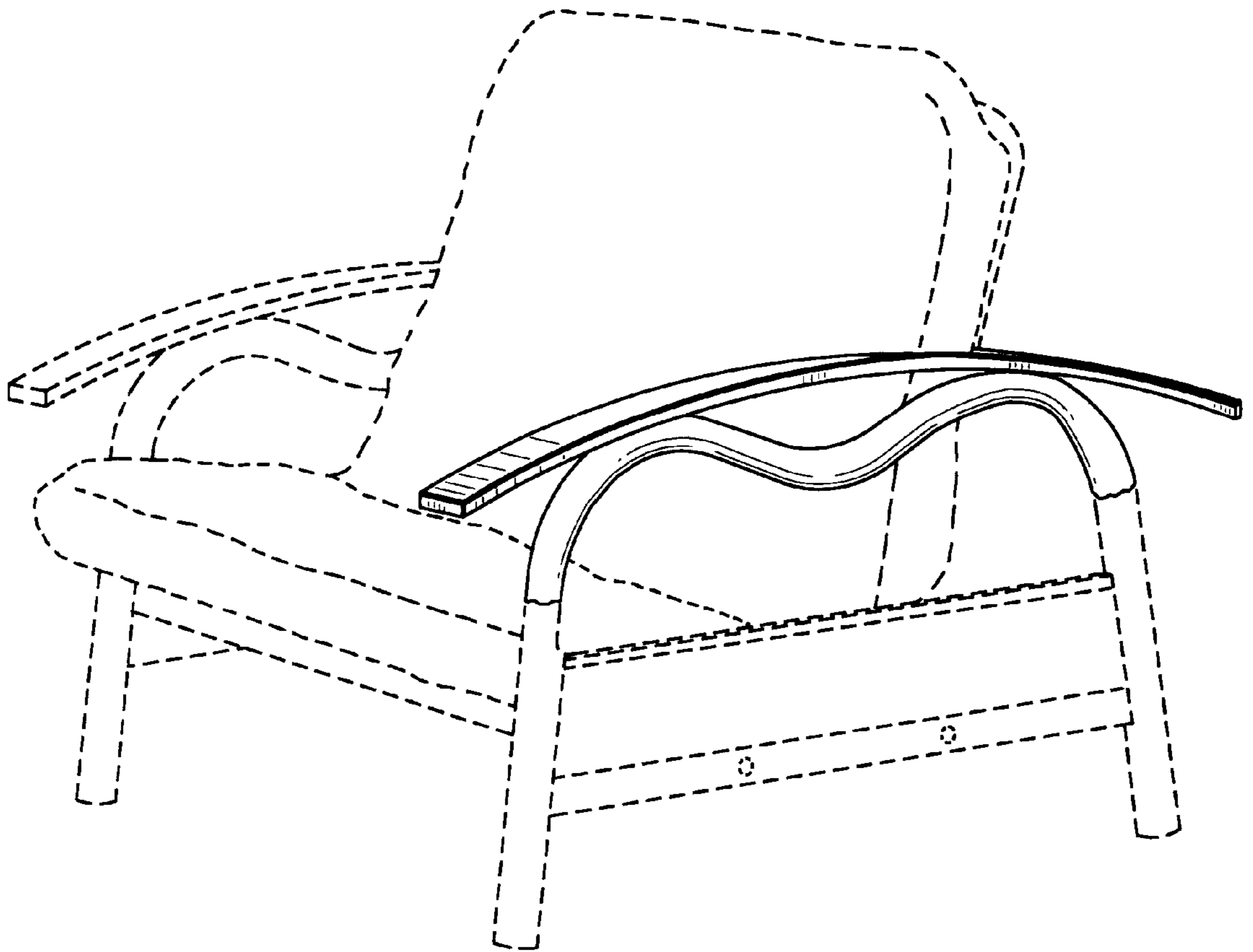


Fig. 1



Fig. 2

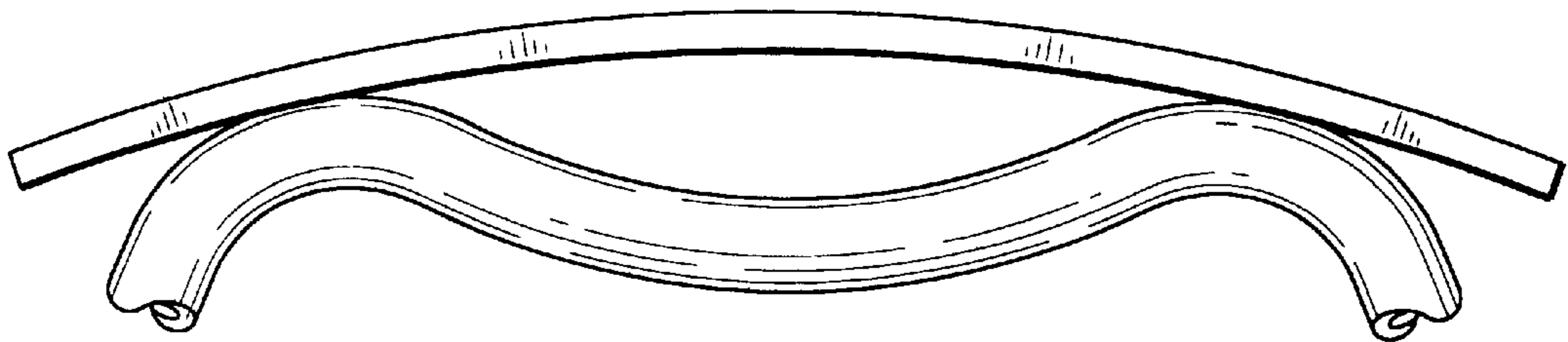


Fig. 3



Fig. 4



Fig. 5