



US00D472409S

(12) **United States Design Patent**
Lind

(10) **Patent No.:** **US D472,409 S**

(45) **Date of Patent:** **** Apr. 1, 2003**

- (54) **ARM FOR A TASK CHAIR**
- (75) Inventor: **Jason S. Lind**, Green Bay, WI (US)
- (73) Assignee: **Krueger International, Inc.**, Green Bay, WI (US)
- (**) Term: **14 Years**

D436,259 S 1/2001 Nagamitsu
 D436,768 S 1/2001 Jenkins et al.
 D445,613 S * 7/2001 Ginat D6/500
 D446,062 S * 8/2001 Su D6/501

- (21) Appl. No.: **29/158,532**
- (22) Filed: **Apr. 4, 2002**

Related U.S. Application Data

- (62) Division of application No. 29/124,741, filed on Jun. 9, 2000.
- (51) **LOC (7) Cl.** **06-06**
- (52) **U.S. Cl.** **D6/501; D6/366**
- (58) **Field of Search** D6/334, 364, 365, D6/366, 367, 379, 500, 501, 502; 297/411.2, 411.27, 411.36

(56) **References Cited**

U.S. PATENT DOCUMENTS

- D305,284 S 1/1990 Piretti
- D325,824 S 5/1992 Piretti
- D326,783 S 6/1992 Piretti
- D328,822 S 8/1992 Piretti
- D349,621 S 8/1994 Wilson
- D367,980 S 3/1996 Hodge et al.
- D368,380 S 4/1996 Olson et al.
- D372,595 S * 8/1996 Schultz et al. D6/366
- D390,712 S 2/1998 Koepke et al.
- D398,464 S 9/1998 Cronk
- D401,076 S 11/1998 Crinion
- D401,771 S 12/1998 Goodworth et al.
- D405,618 S 2/1999 Reutepohler et al.
- D406,710 S 3/1999 Holstensson
- D407,246 S 3/1999 Stumpf
- D407,911 S 4/1999 Brauning
- D410,808 S 6/1999 Baumann et al.
- D411,396 S 6/1999 Stumpf
- 5,921,630 A 7/1999 Cassaday
- D416,407 S 11/1999 Baumann et al.
- D417,101 S 11/1999 DeSanta et al.
- D417,793 S 12/1999 Ritch et al.

FOREIGN PATENT DOCUMENTS

XH DMA/004 150 5/1998

OTHER PUBLICATIONS

Steelcase, p. 7, chair at bottom (as marked), @ 1996.*
 "Precedence" Brochure KI-00241/BD/IS/IT/PP/1097, Krueger International, Inc., 1330 Bellevue Street, Green Bay, WI 54302, 1997.
 "Piretti 2000 Seating" Brochure KI-00018/PP195, Krueger International, Inc. 1330 Bellevue Street, Green Bay, WI 54308-8100, 1995.
 "Office Seating—The Piretti Collection" Brochure CN-07152/PP491, Krueger International, Inc. 1330 Bellevue Street, Green Bay, WI 54302, undated.

* cited by examiner

Primary Examiner—Gary D. Watson

(74) *Attorney, Agent, or Firm*—Boyle, Fredrickson, Newholm, Stein & Gratz, S.C.

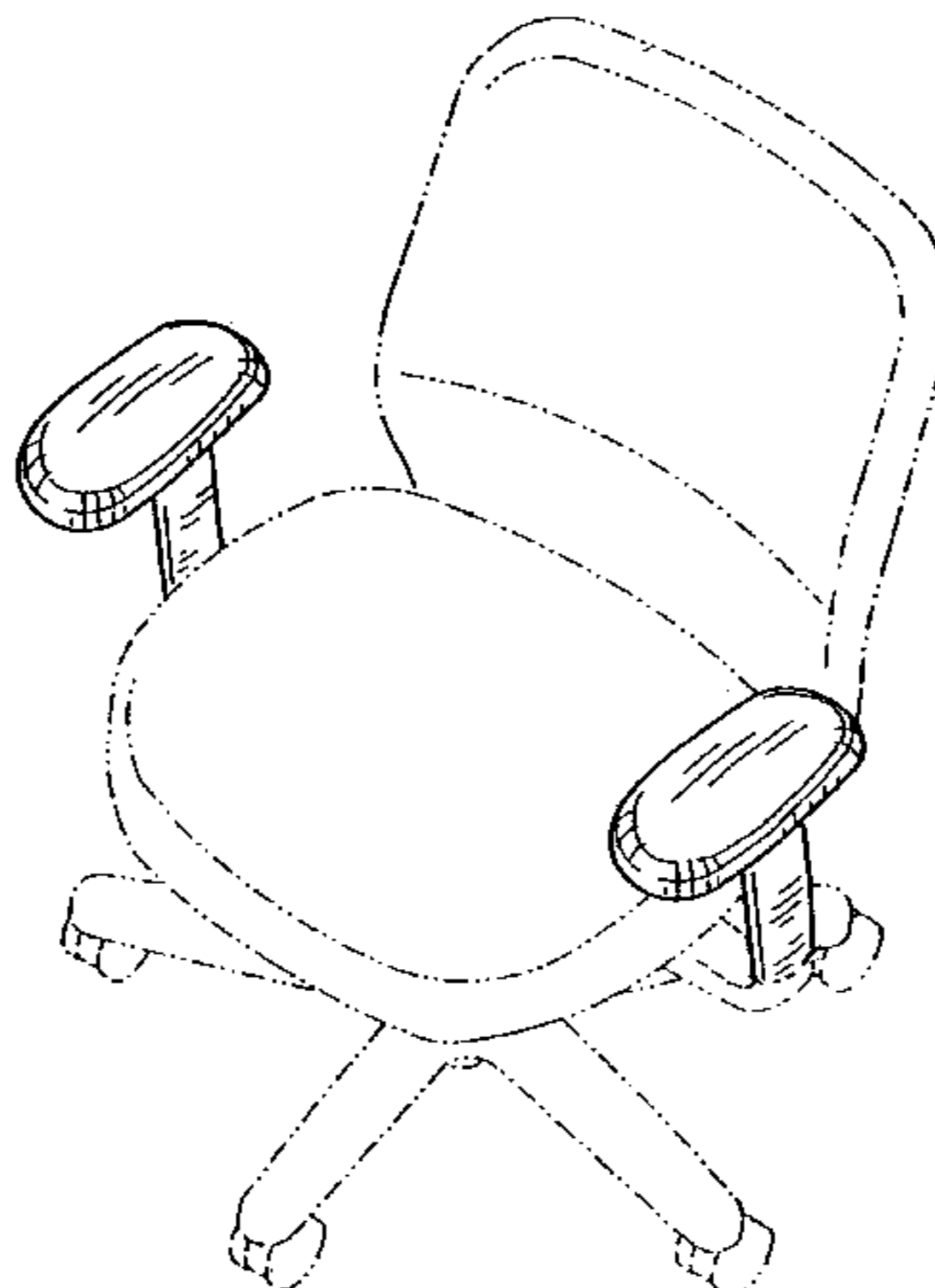
(57) **CLAIM**

The ornamental design of an arm for a task chair, as shown and described.

DESCRIPTION

FIG. 1 is an isometric view illustrating a chair arm incorporating my new design. The broken lines in FIGS. 1 through 5 are for illustrative purposes and the broken lines at the lower end of the arm form the boundary of the design. None of the broken lines are part of the claimed design.
 FIG. 2 is a front elevation view thereof;
 FIG. 3 is a left side elevation view thereof, the right side elevation being a mirror image;
 FIG. 4 is a rear elevation view thereof;
 FIG. 5 is a bottom plan view thereof; and,
 FIG. 6 is a top plan view thereof.

1 Claim, 2 Drawing Sheets



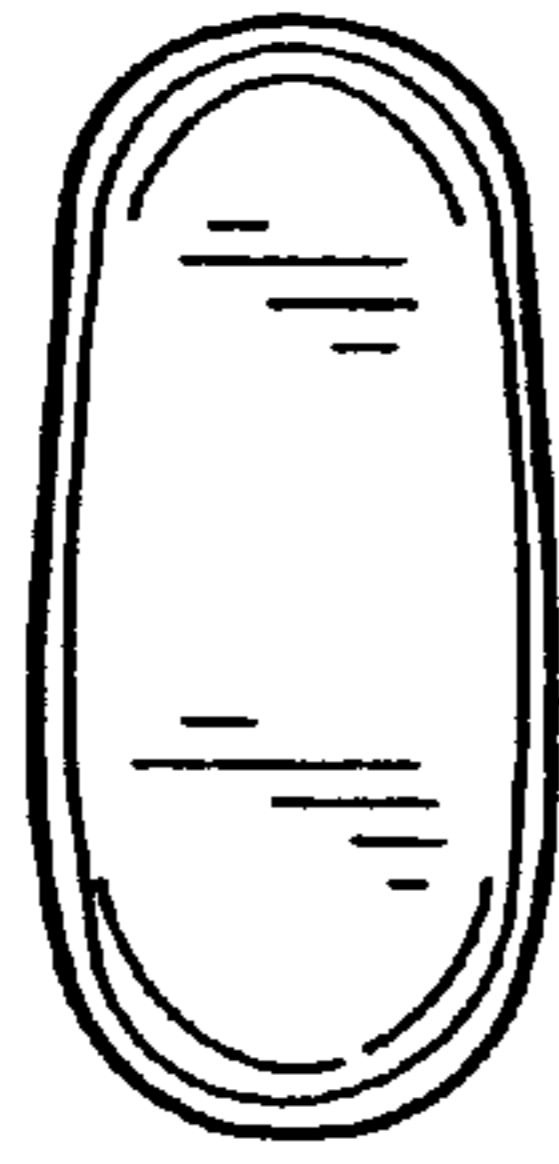


FIG. 6

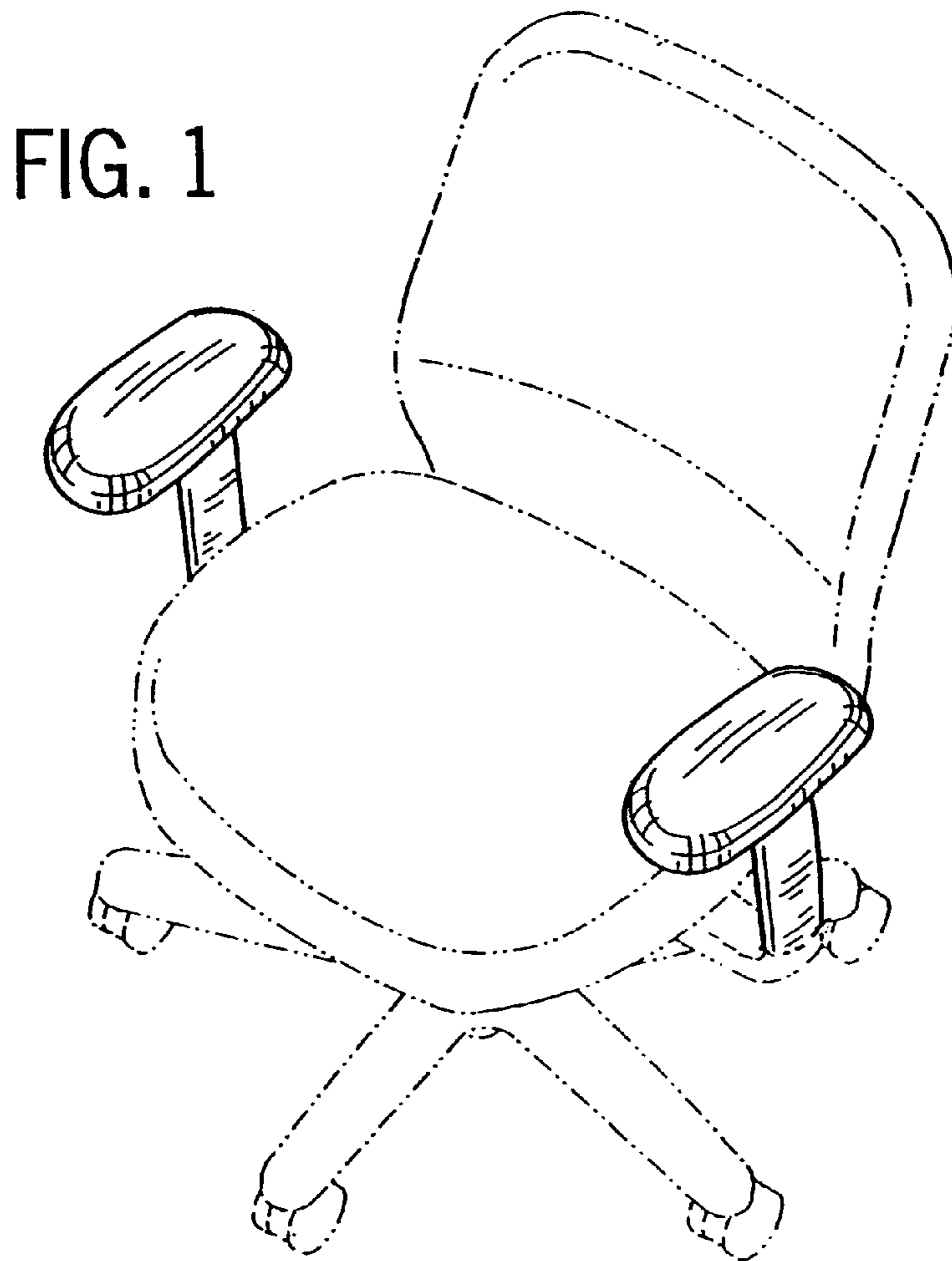


FIG. 1

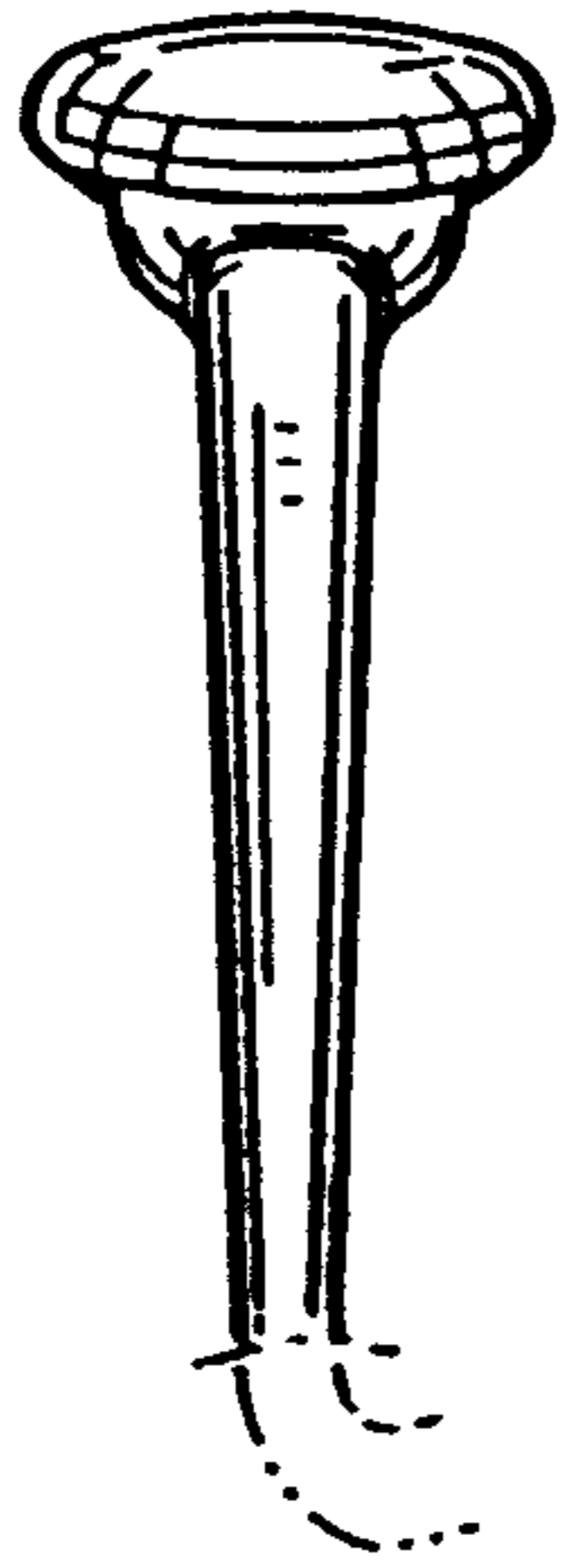


FIG. 2

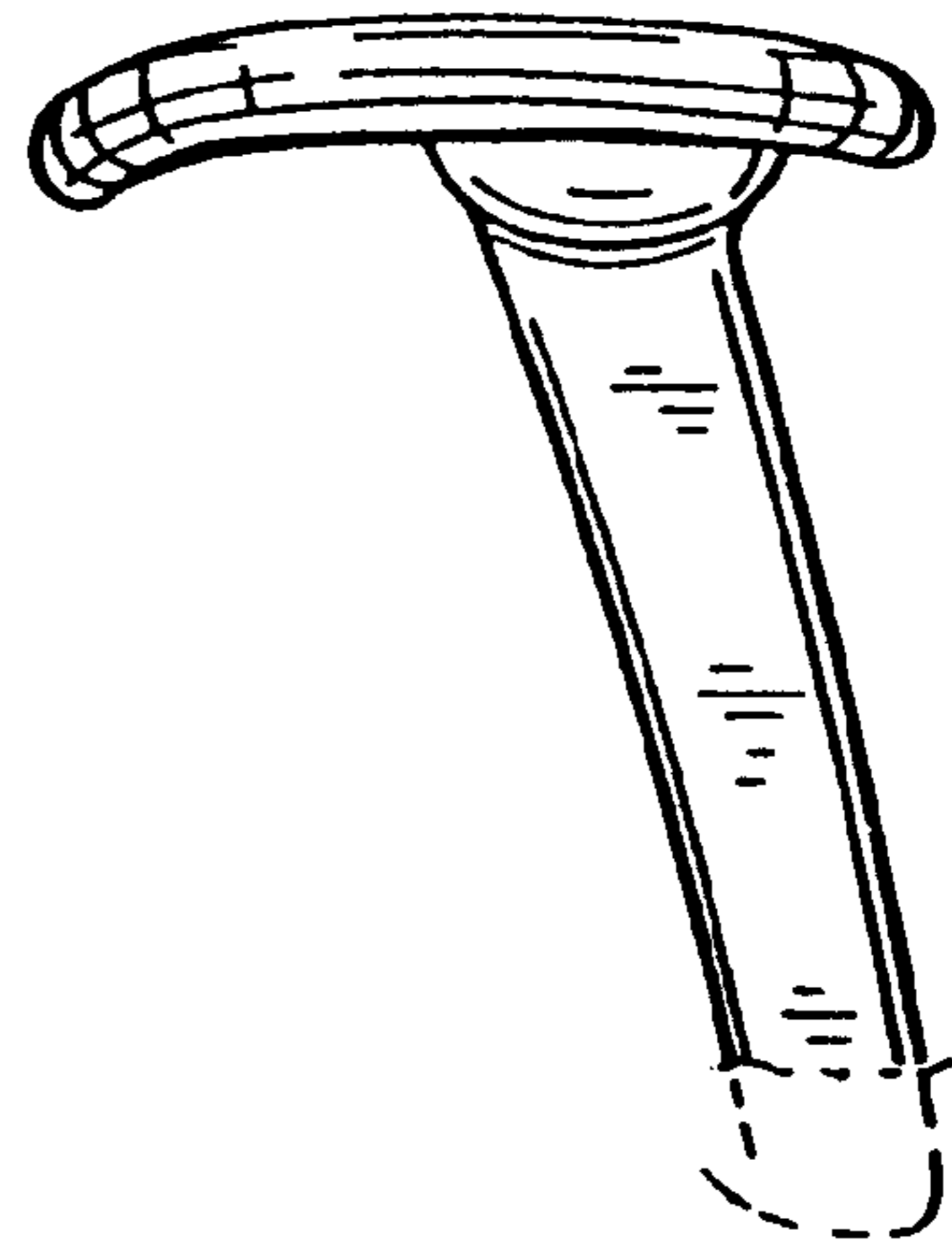


FIG. 3



FIG. 4



FIG. 5