



US00D472408S

(12) **United States Design Patent**  
**Carroll, III**

(10) **Patent No.:** **US D472,408 S**

(45) **Date of Patent:** **\*\* Apr. 1, 2003**

(54) **FURNITURE PART OF INDETERMINATE LENGTH**

(76) **Inventor:** **Lester Erwin Carroll, III**, 330 Fort Pickens Rd. 1D, Pensacola Beach, FL (US) 32561

(\*\*) **Term:** **14 Years**

(21) **Appl. No.:** **29/137,992**

(22) **Filed:** **Mar. 5, 2001**

(51) **LOC (7) Cl.** ..... **06-06**

(52) **U.S. Cl.** ..... **D6/495**

(58) **Field of Search** ..... D6/480-489, 495-499, D6/491, 400, 500-502; D25/119, 123, 122, 124, 125; 248/188, 188.1, 188.7; 108/153.1, 155, 156, 157.1, 161

(56) **References Cited**

**U.S. PATENT DOCUMENTS**

D155,369 S \* 9/1949 Wallance ..... D6/499

D185,671 S \* 7/1959 Jakobsen ..... D6/499  
D334,857 S \* 4/1993 Miller ..... D6/495  
D338,537 S \* 8/1993 Westphal et al. .... D25/122  
D367,192 S \* 2/1996 Frattini ..... D6/487

\* cited by examiner

*Primary Examiner*—Janice E. Seeger

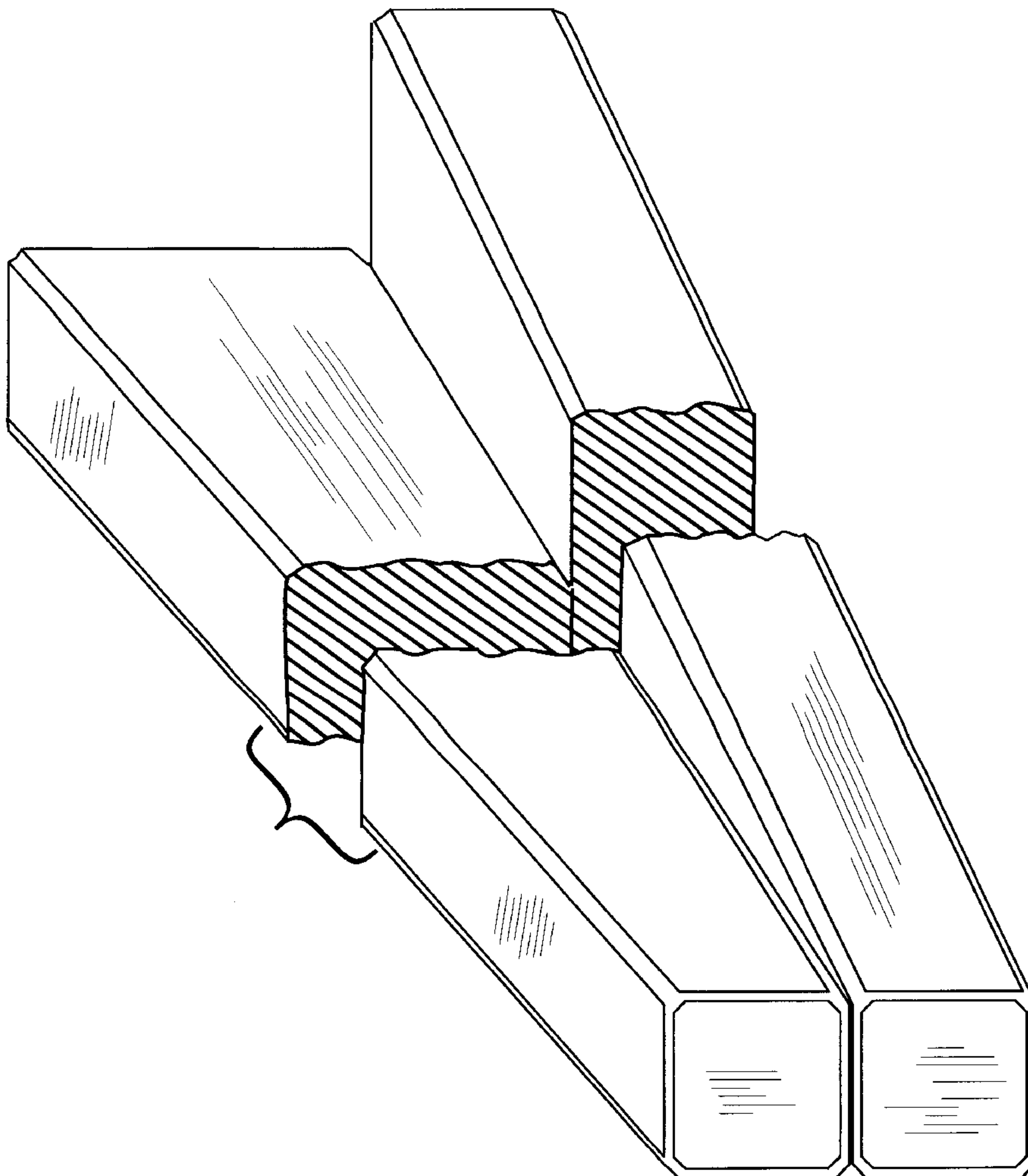
(57) **CLAIM**

Furniture part of indeterminate length, as shown and described.

**DESCRIPTION**

FIG. 1 is a perspective view of a furniture part of indeterminate length, showing my new design;  
FIG. 2 is a perspective view showing the opposite side of that shown in FIG. 1; and,  
FIG. 3 is a perspective view from the opposite end of that shown in FIGS. 1 and 2.

**1 Claim, 3 Drawing Sheets**



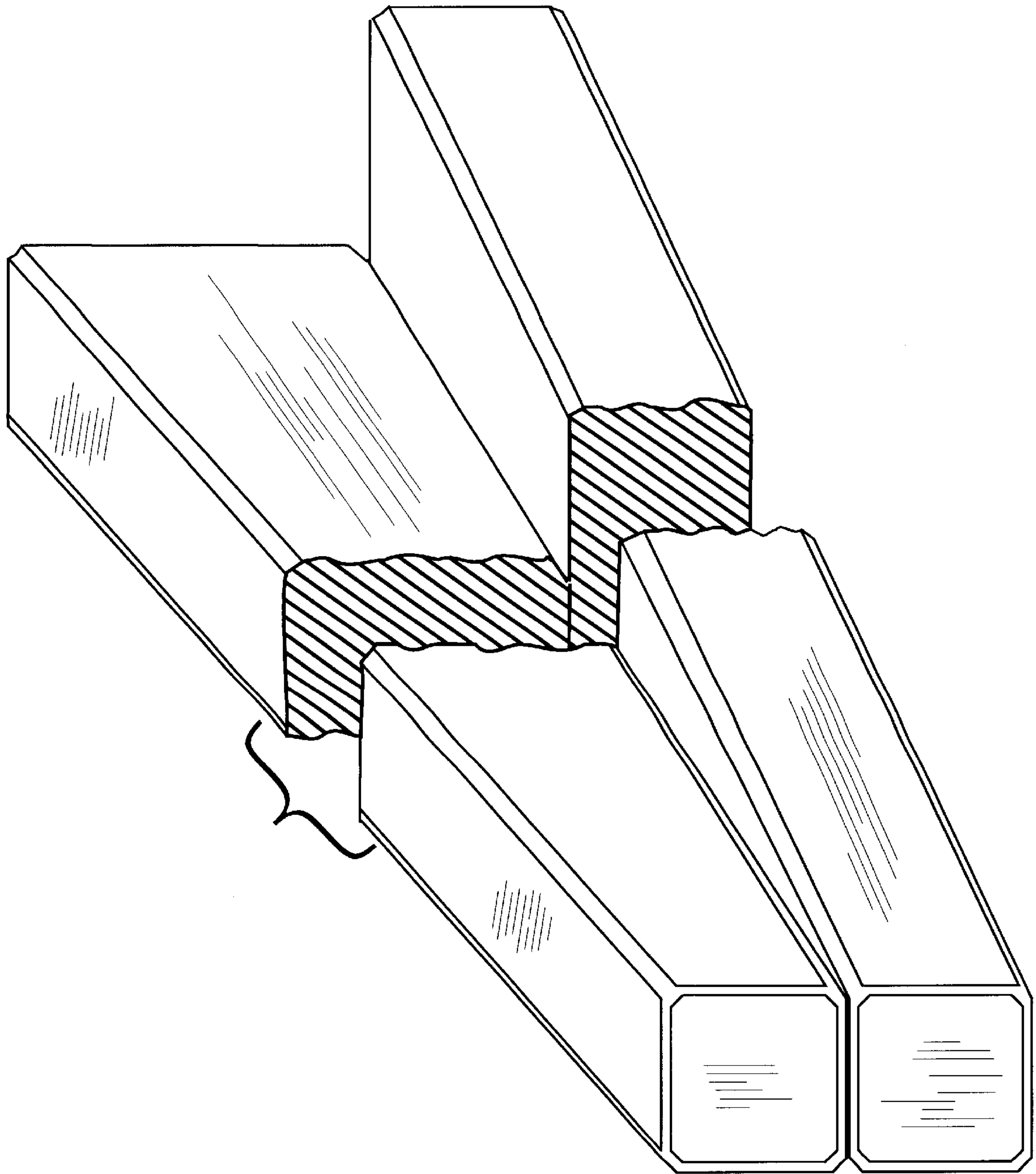


FIG. 1

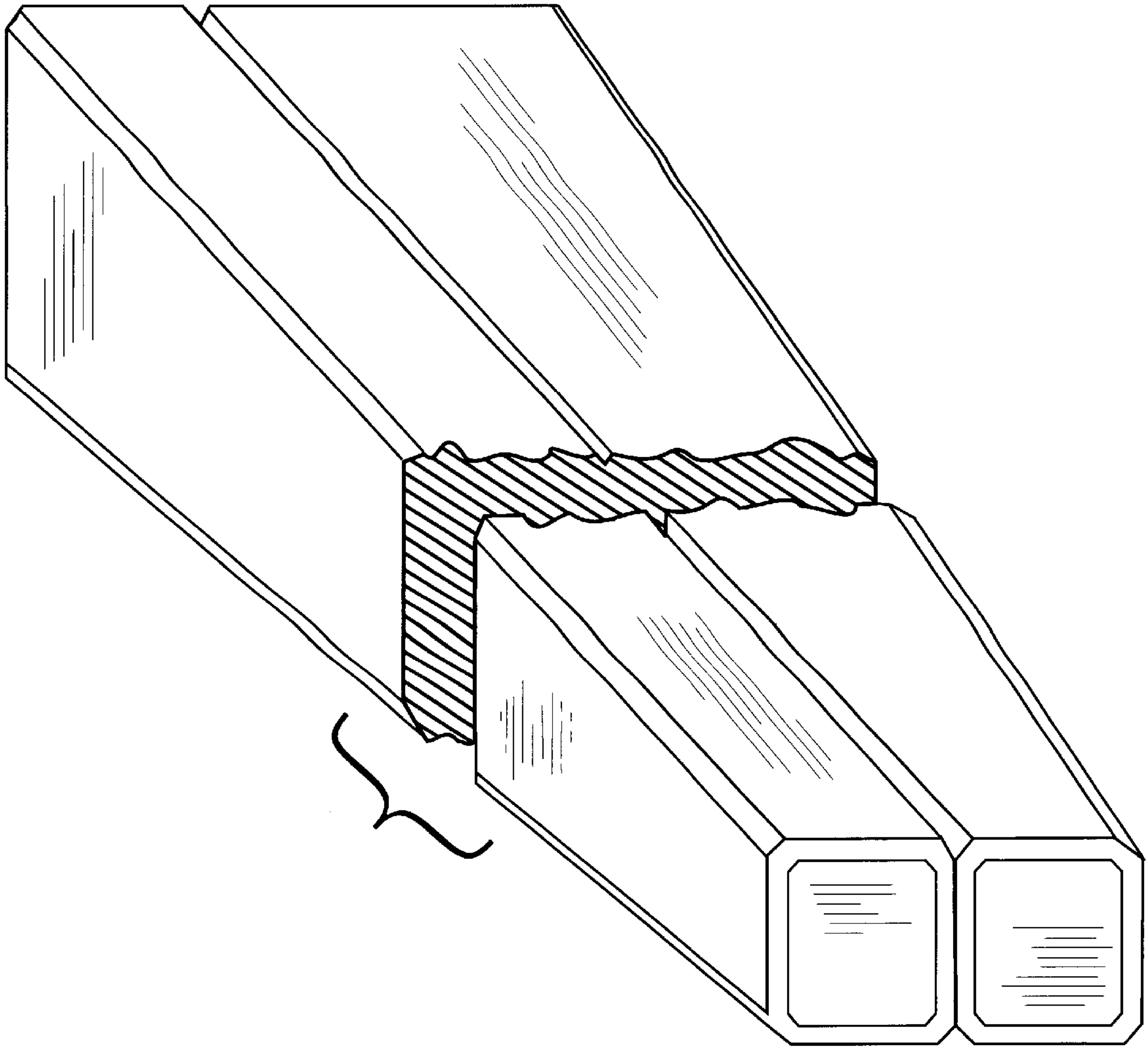


FIG.2

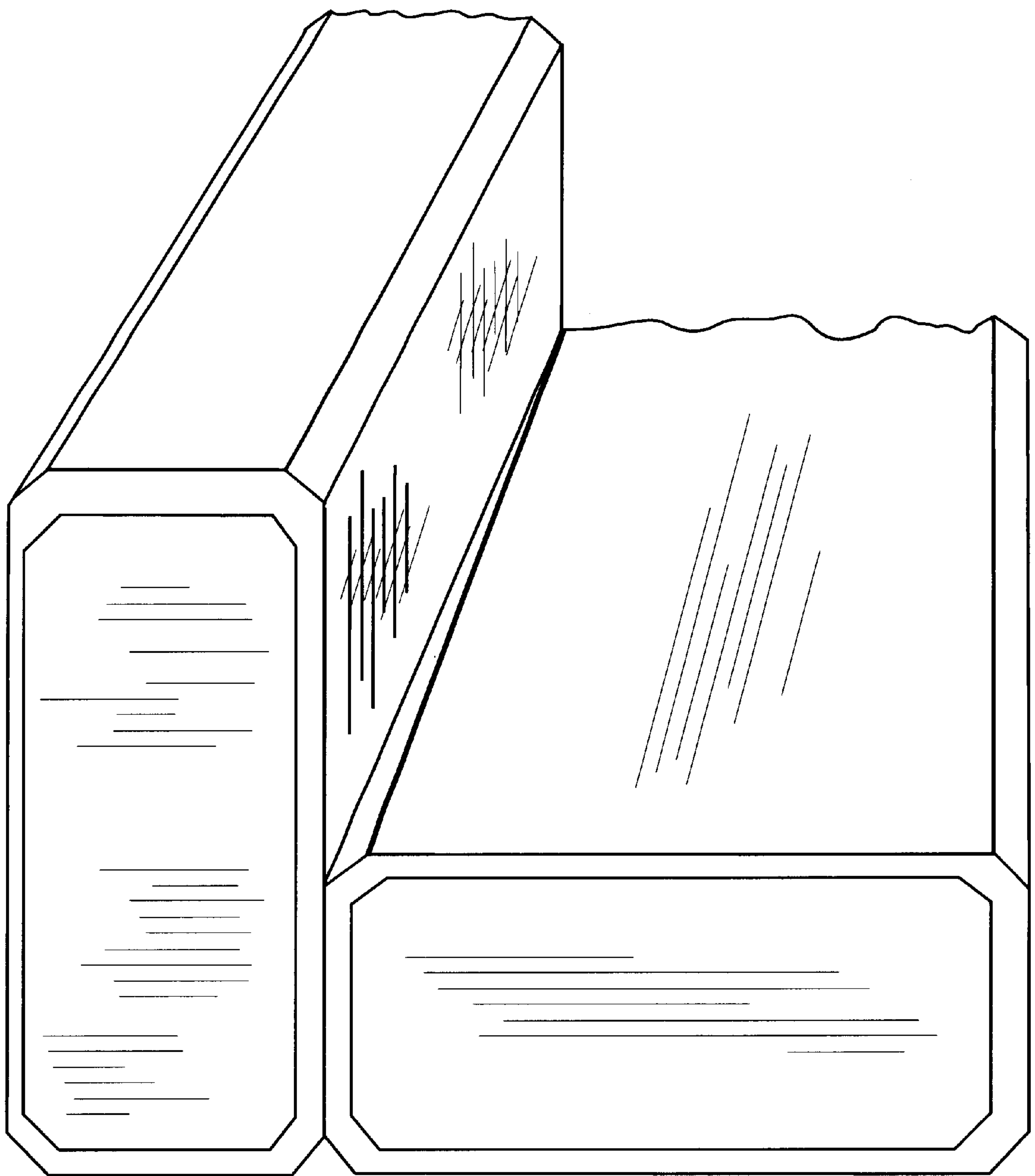


FIG. 3