



US00D472407S

(12) **United States Design Patent**  
**Lenger**

(10) **Patent No.:** **US D472,407 S**

(45) **Date of Patent:** **\*\* Apr. 1, 2003**

(54) **SIDEBOARD COMPONENT**

(75) **Inventor:** **Sidney A. Lenger**, Kernersville, NC (US)

(73) **Assignee:** **Schottenstein Stores Corporation**, Columbus, OH (US)

(\*\*) **Term:** **14 Years**

(21) **Appl. No.:** **29/162,077**

(22) **Filed:** **Jun. 7, 2002**

(51) **LOC (7) Cl.** ..... **06-06**

(52) **U.S. Cl.** ..... **D6/494; D6/509**

(58) **Field of Search** ..... D6/432-448, 470, D6/492, 494, 509, 510; 312/204, 224, 237, 278, 279

(56) **References Cited**

**U.S. PATENT DOCUMENTS**

|            |   |         |              |       |        |
|------------|---|---------|--------------|-------|--------|
| D327,186 S | * | 6/1992  | Tarlow       | ..... | D6/441 |
| D446,047 S | * | 8/2001  | Stone et al. | ..... | D6/445 |
| D451,303 S | * | 12/2001 | Lee          | ..... | D6/446 |
| D462,540 S | * | 9/2002  | Lenger       | ..... | D6/441 |

\* cited by examiner

*Primary Examiner*—Cathron C. Brooks

(74) *Attorney, Agent, or Firm*—Wood, Herron & Evans, L.L.P.

(57) **CLAIM**

The ornamental design for a sideboard component, as shown and described.

**DESCRIPTION**

FIG. 1 is a front elevational view of a first embodiment of a sideboard component showing my new design;

FIG. 2 is a right-side elevational view thereof, with the left-side elevational view being a mirror image of FIG. 2;

FIG. 3 is a rear elevational view thereof; and

FIG. 4 is a top plan view thereof.

FIG. 5 is a bottom plan view thereof.

FIG. 6 is a front elevational view of a second embodiment of a sideboard component with the hinged shelf in its closed position;

FIG. 7 is a top plan view thereof;

The right-side elevational view thereof is identical to FIG. 2;

The left-side elevational view thereof is a mirror image of FIG. 2;

The rear elevational view thereof is identical to FIG. 3;

The bottom plan view thereof is identical to FIG. 5.

FIG. 8 is a front elevational view thereof, with the hinged shelf in its open position;

FIG. 9 is a right-side elevational view thereof, with the left-side elevational view being a mirror image of FIG. 9;

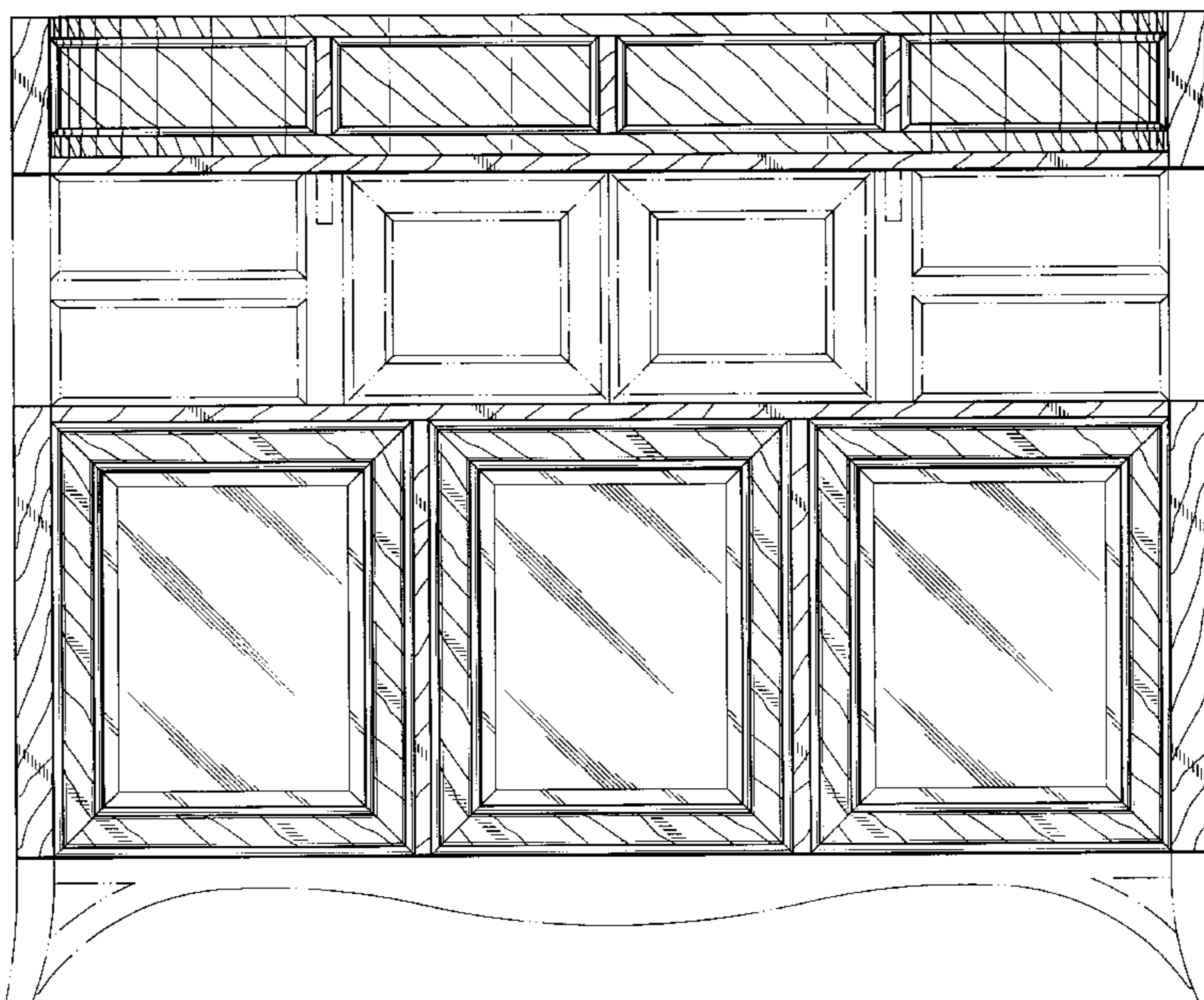
FIG. 10 is a top plan view thereof; and,

FIG. 11 is a bottom plan view thereof.

The rear view is identical to FIG. 3.

The broken lines shown in the figures are for illustrative purposes only and form no part of the claimed sideboard component design.

**1 Claim, 9 Drawing Sheets**



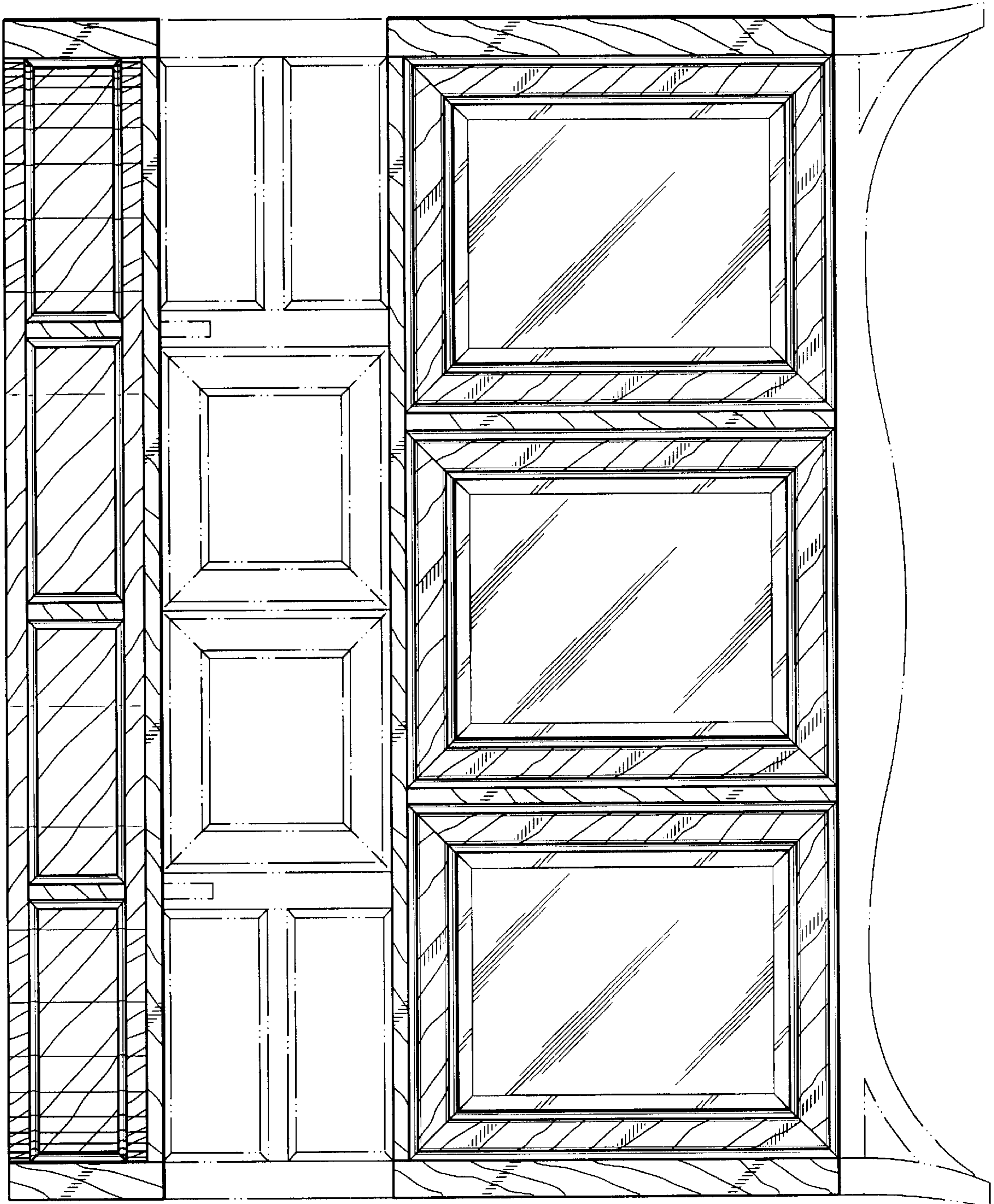


FIG. 1

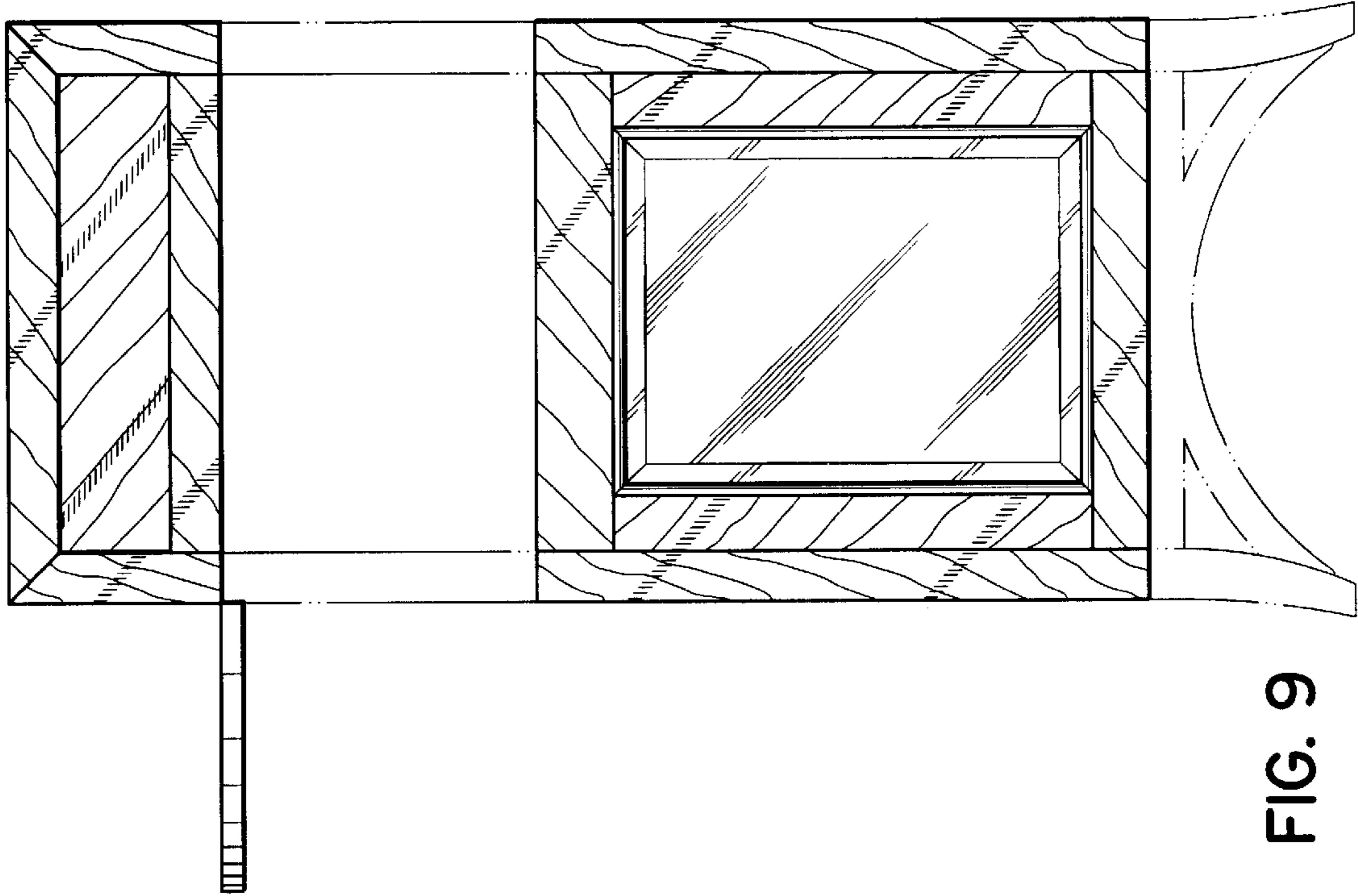


FIG. 9

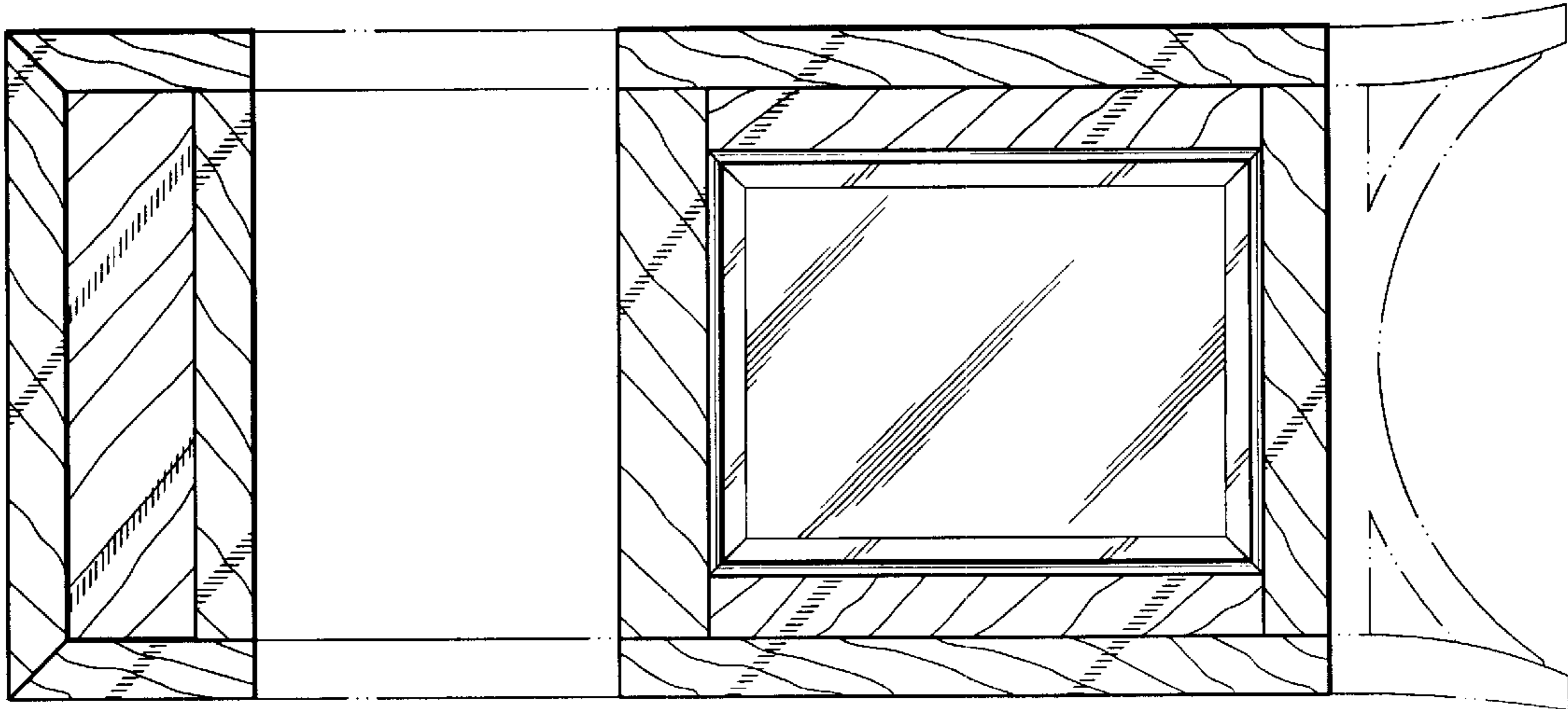


FIG. 2

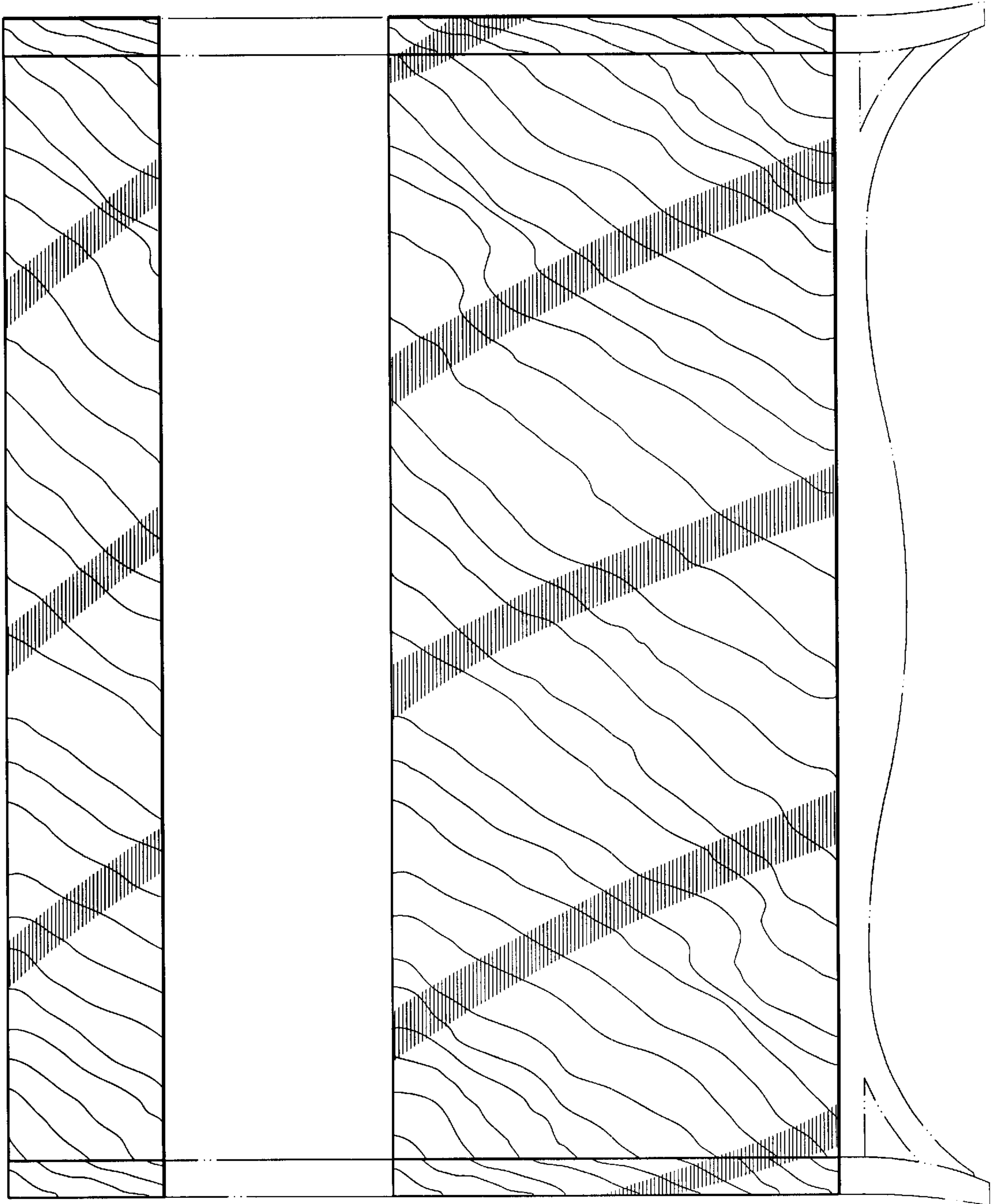


FIG. 3

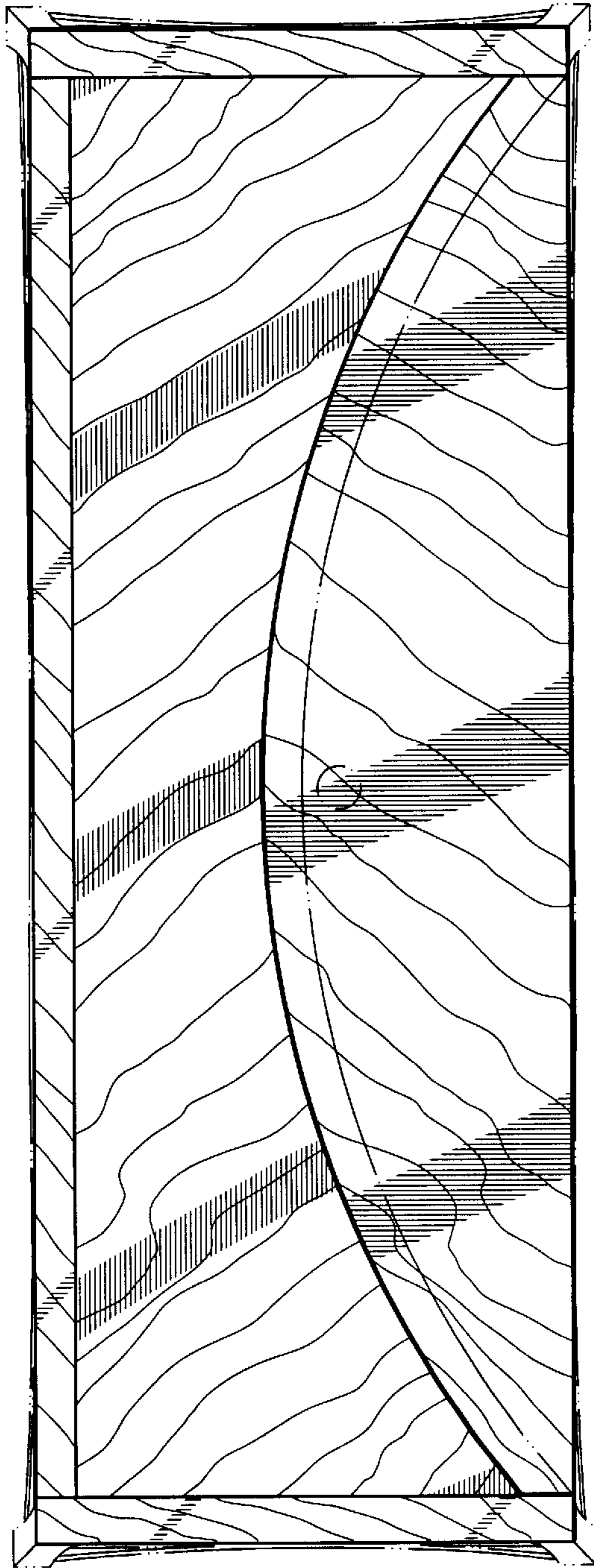


FIG. 4

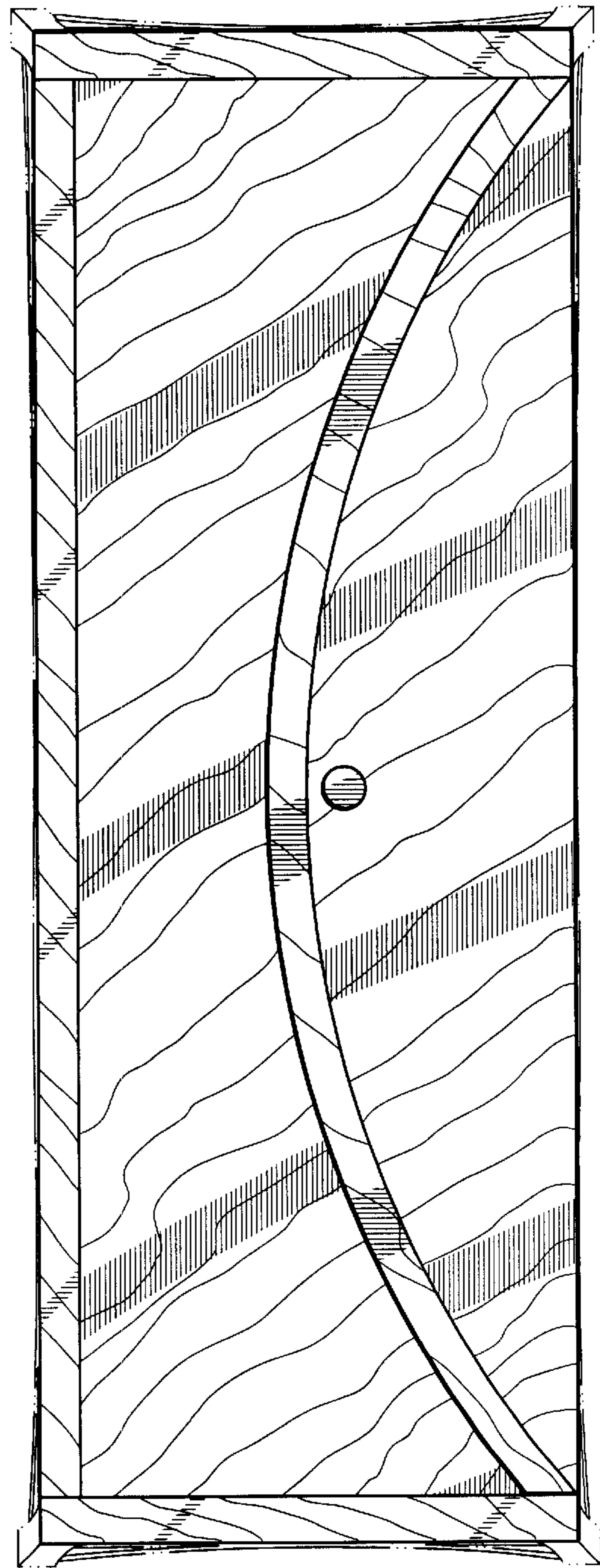


FIG. 7

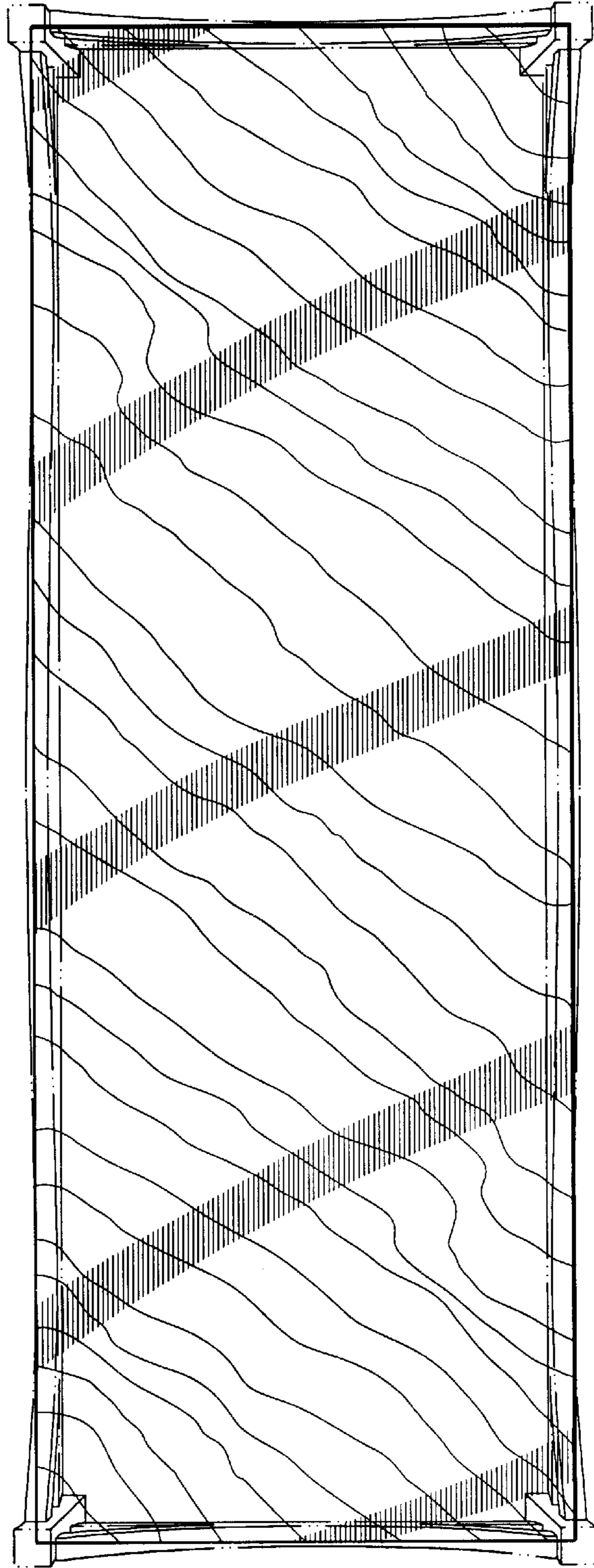


FIG. 5

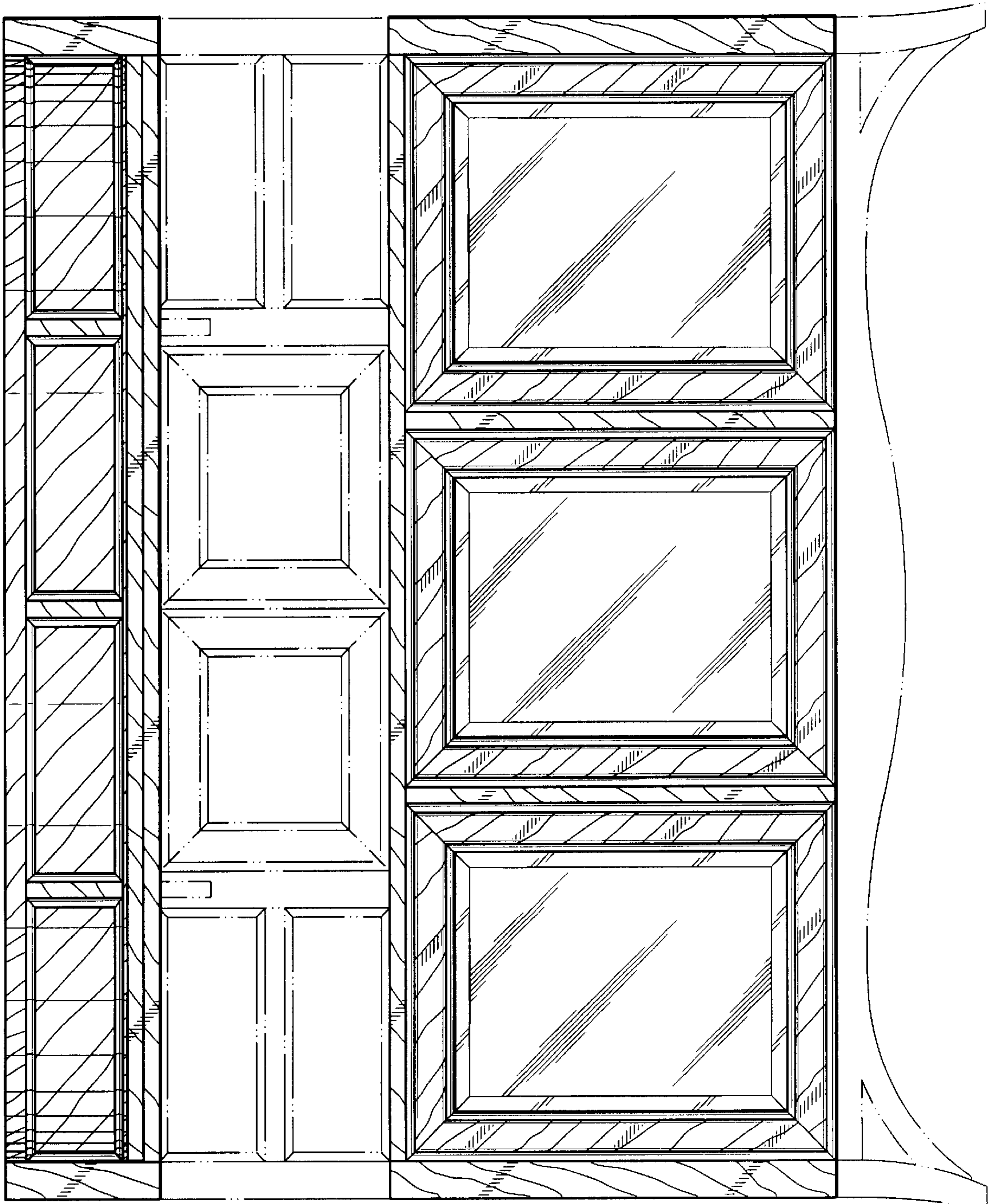


FIG. 6

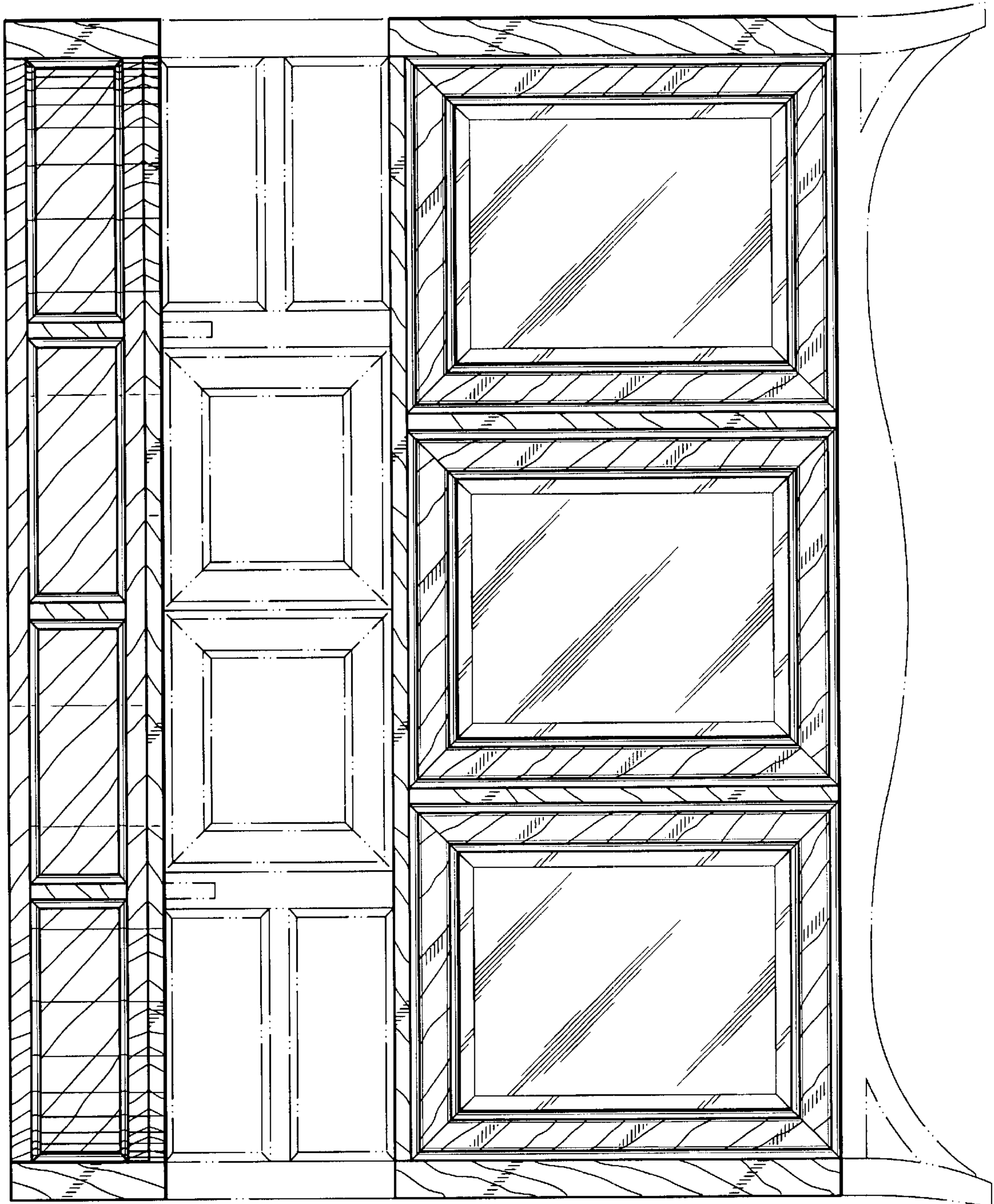


FIG. 8



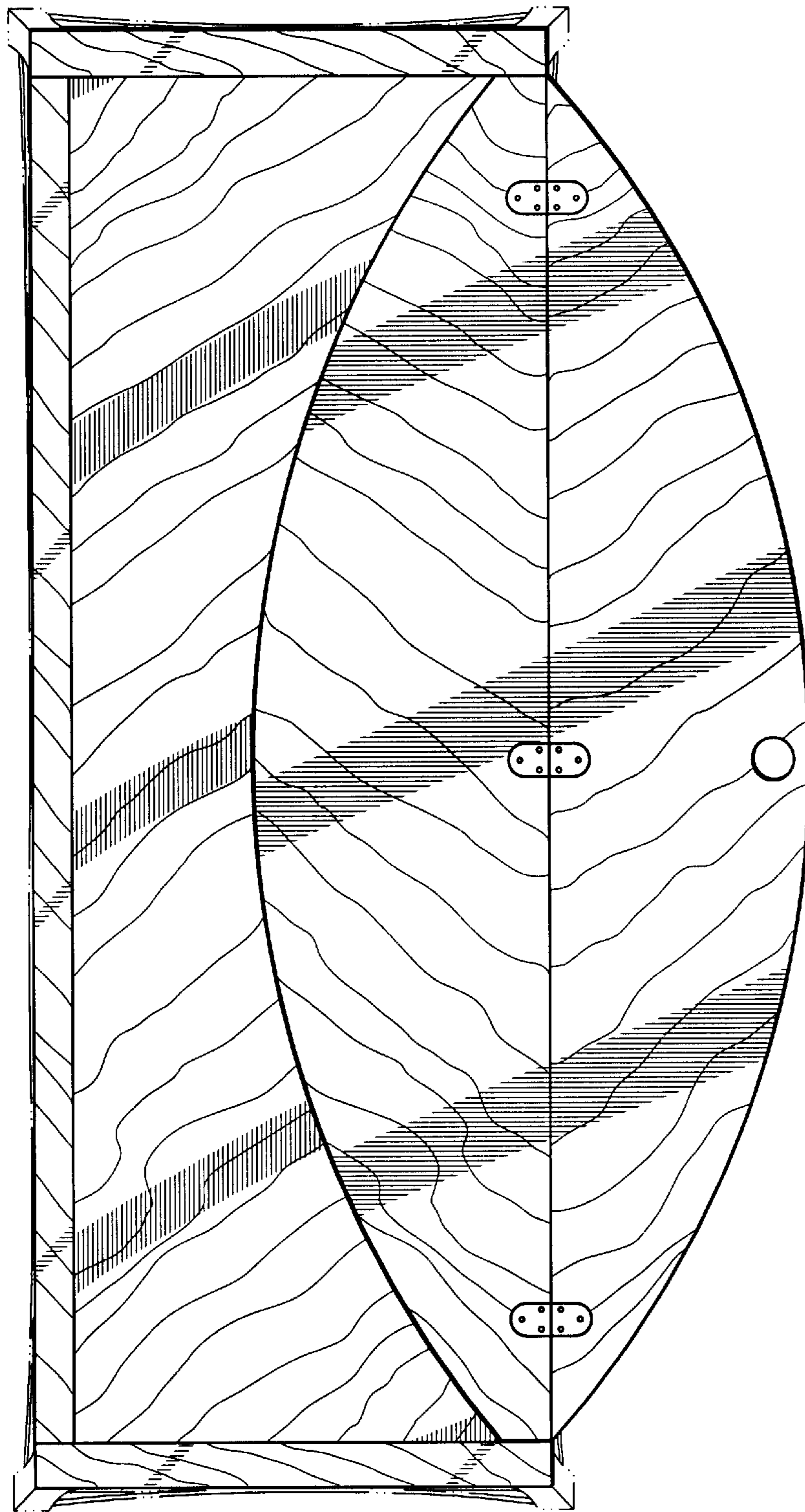


FIG. 10

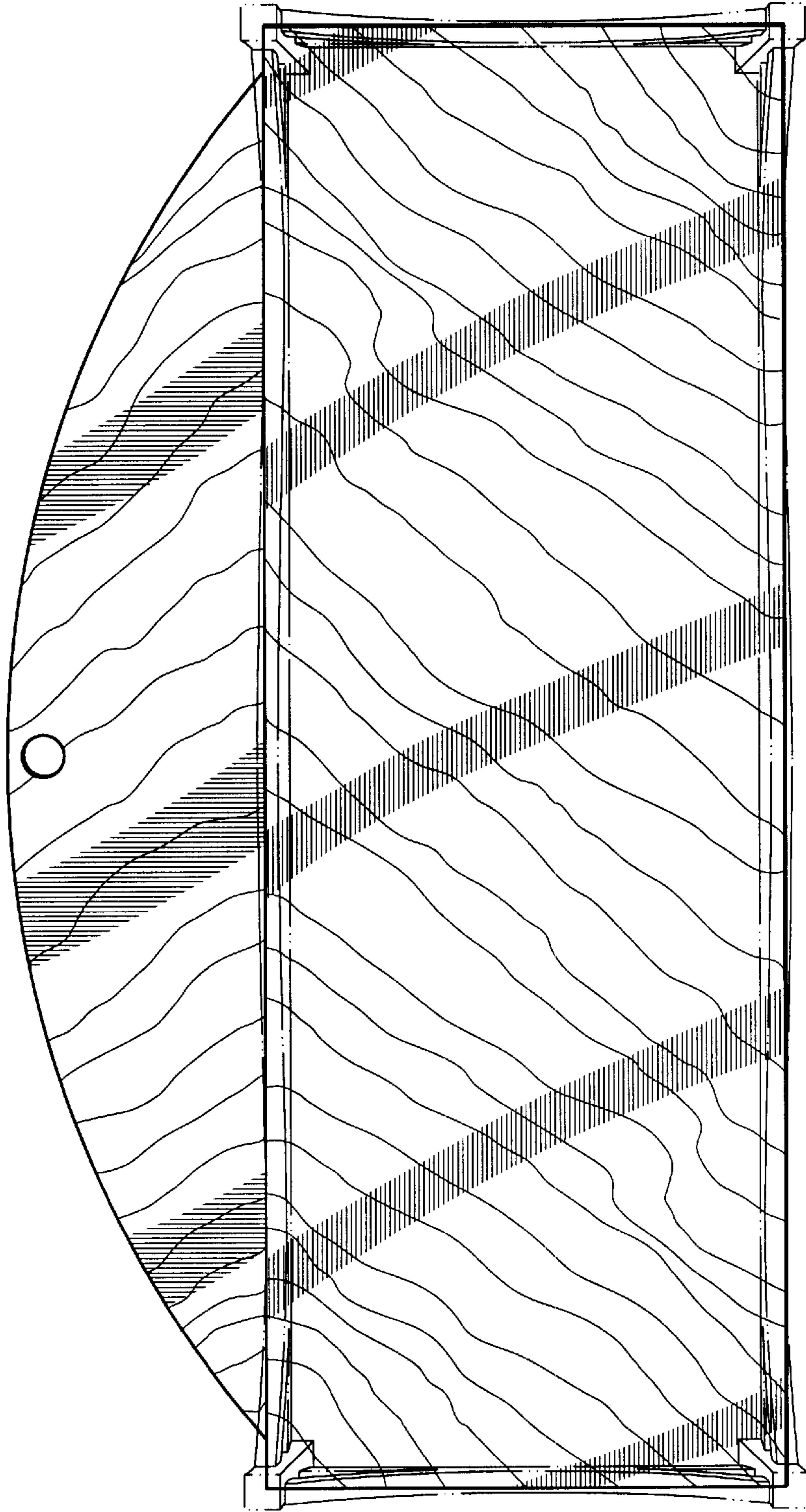


FIG. 11