



US00D472403S

(12) **United States Design Patent**
Bogish et al.

(10) **Patent No.:** **US D472,403 S**

(45) **Date of Patent:** **** Apr. 1, 2003**

(54) **SHOE DISPLAY RISER**

(75) Inventors: **Donald Bogish**, Beverly Hills, CA
(US); **Thomas Cahill**, Los Angeles, CA
(US)

(73) Assignee: **Hampton Lane, LLC**, Glendale, CA
(US)

(**) Term: **14 Years**

(21) Appl. No.: **29/146,818**

(22) Filed: **Aug. 16, 2001**

(51) **LOC (7) Cl.** **06-04**

(52) **U.S. Cl.** **D6/466; D6/449**

(58) **Field of Search** D6/310, 396, 397,
D6/406.3–406.6, 449, 471, 466; D14/447,
451; 211/13.1, 34, 37, 38, 85.26

(56) **References Cited**

U.S. PATENT DOCUMENTS

D263,188 S	*	3/1982	Cohen	D6/310
D286,233 S	*	10/1986	Schreiner	D6/397
D287,679 S	*	1/1987	Evans	D6/486 X
D352,189 S	*	11/1994	Sakuta et al.	D6/449
D353,499 S	*	12/1994	Schwallenstecker	D6/449
D391,098 S	*	2/1998	Northrop	D6/466
D410,910 S	*	6/1999	Martell	D14/114

OTHER PUBLICATIONS

Allen Display, information from the internet; undated.
Simple Risers; information from the internet; undated.
DA Group Creating Stores That Work, information from the
internet; undated.

* cited by examiner

Primary Examiner—Cathron C. Brooks

(74) *Attorney, Agent, or Firm*—MacCord Mason PLLC

(57) **CLAIM**

The ornamental design for shoe display riser, as shown and described.

DESCRIPTION

FIG. 1 is a perspective view of a first embodiment of a shoe display riser;

FIG. 2 is a right side view of the embodiment of FIG. 1;

FIG. 3 is an exploded view of the embodiment of FIG. 1;

FIG. 4 is a perspective view of a second embodiment of a shoe display riser;

FIG. 5 is a right side view of the embodiment of FIG. 4;

FIG. 6 is an exploded view of the embodiment of FIG. 4;

FIG. 7 is a front view of the embodiment of FIG. 1;

FIG. 8 is a front view of the embodiment of FIG. 4;

FIG. 9 is a perspective view of a third embodiment of a shoe display riser;

FIG. 10 is a right side view of the embodiment of FIG. 9;

FIG. 11 is an exploded view of the embodiment of FIG. 9;

FIG. 12 is a perspective view of a fourth embodiment of a shoe display riser;

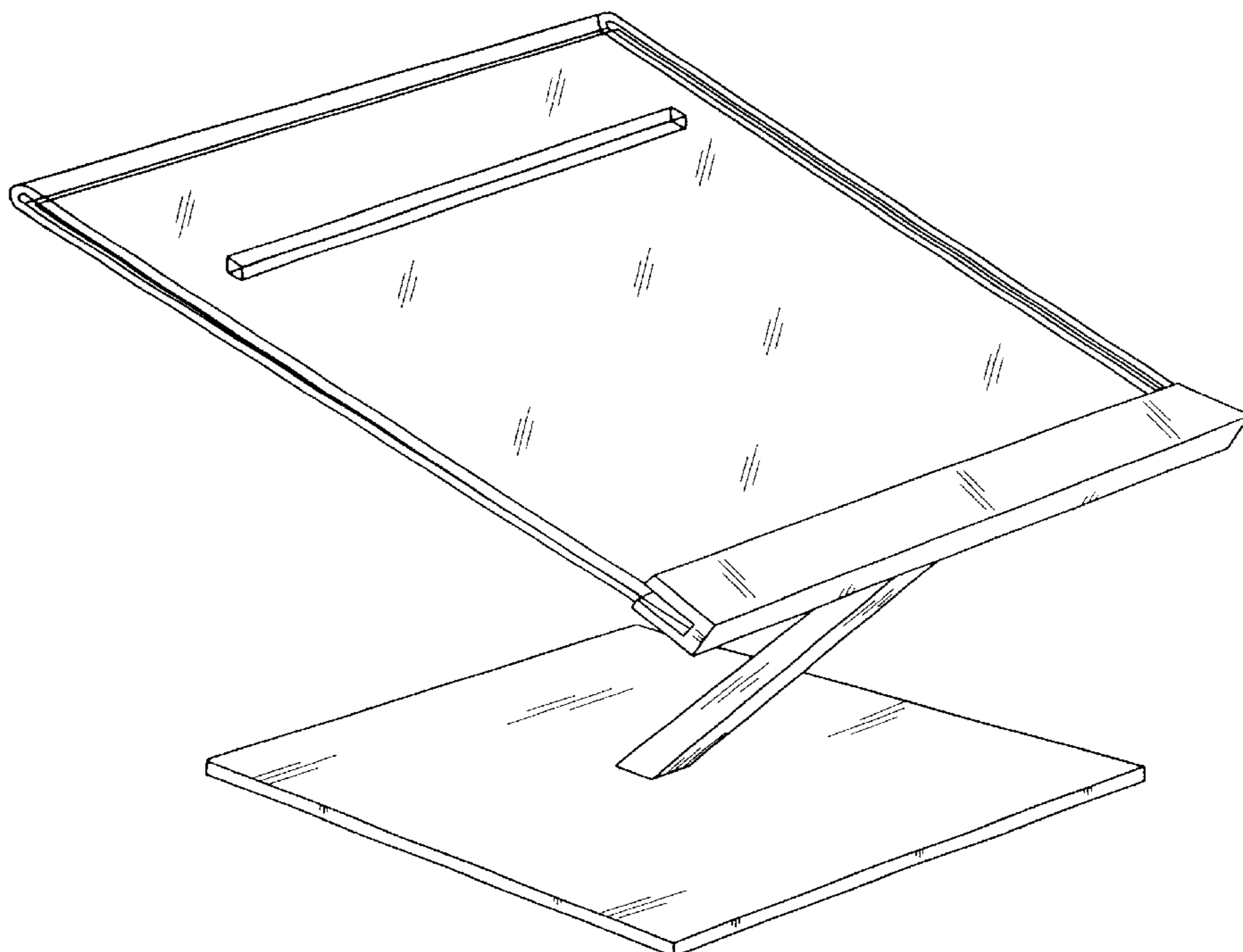
FIG. 13 is a right side view of the embodiment of FIG. 12;

FIG. 14 is an exploded view of the embodiment of FIG. 12;

FIG. 15 is a front view of the embodiment of FIG. 9; and,

FIG. 16 is a front view of the embodiment of FIG. 12.

1 Claim, 14 Drawing Sheets



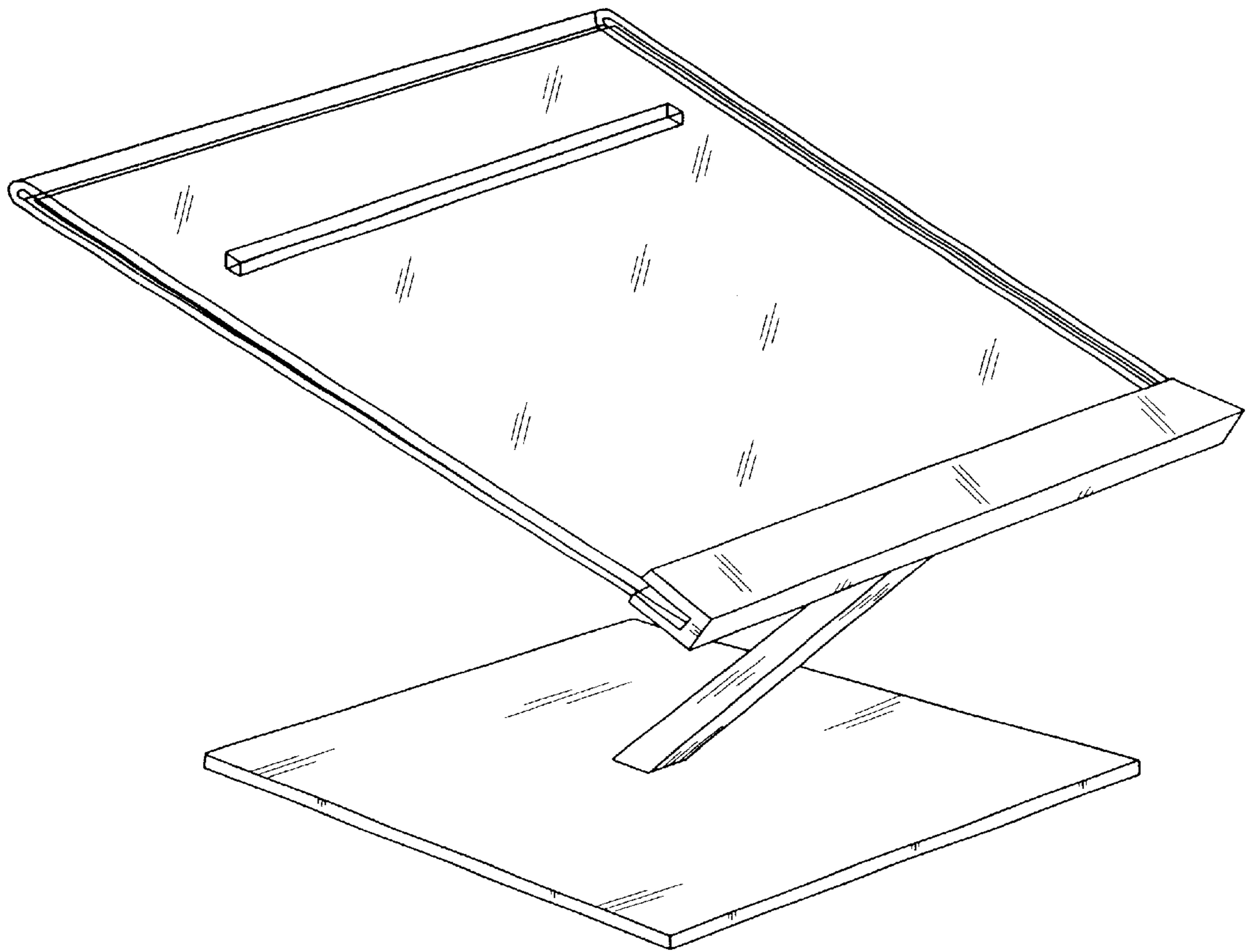


FIG. 1

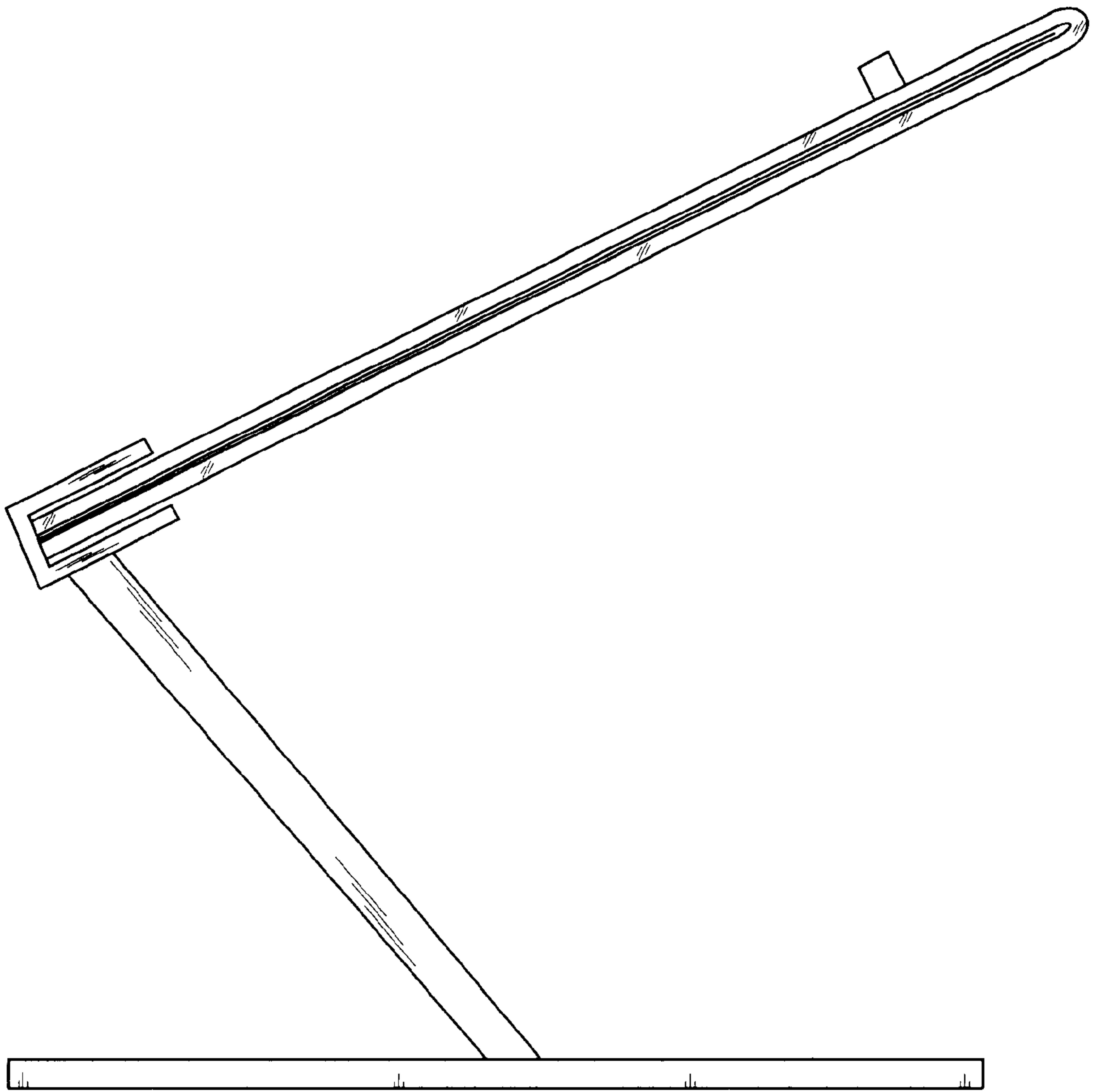


FIG. 2

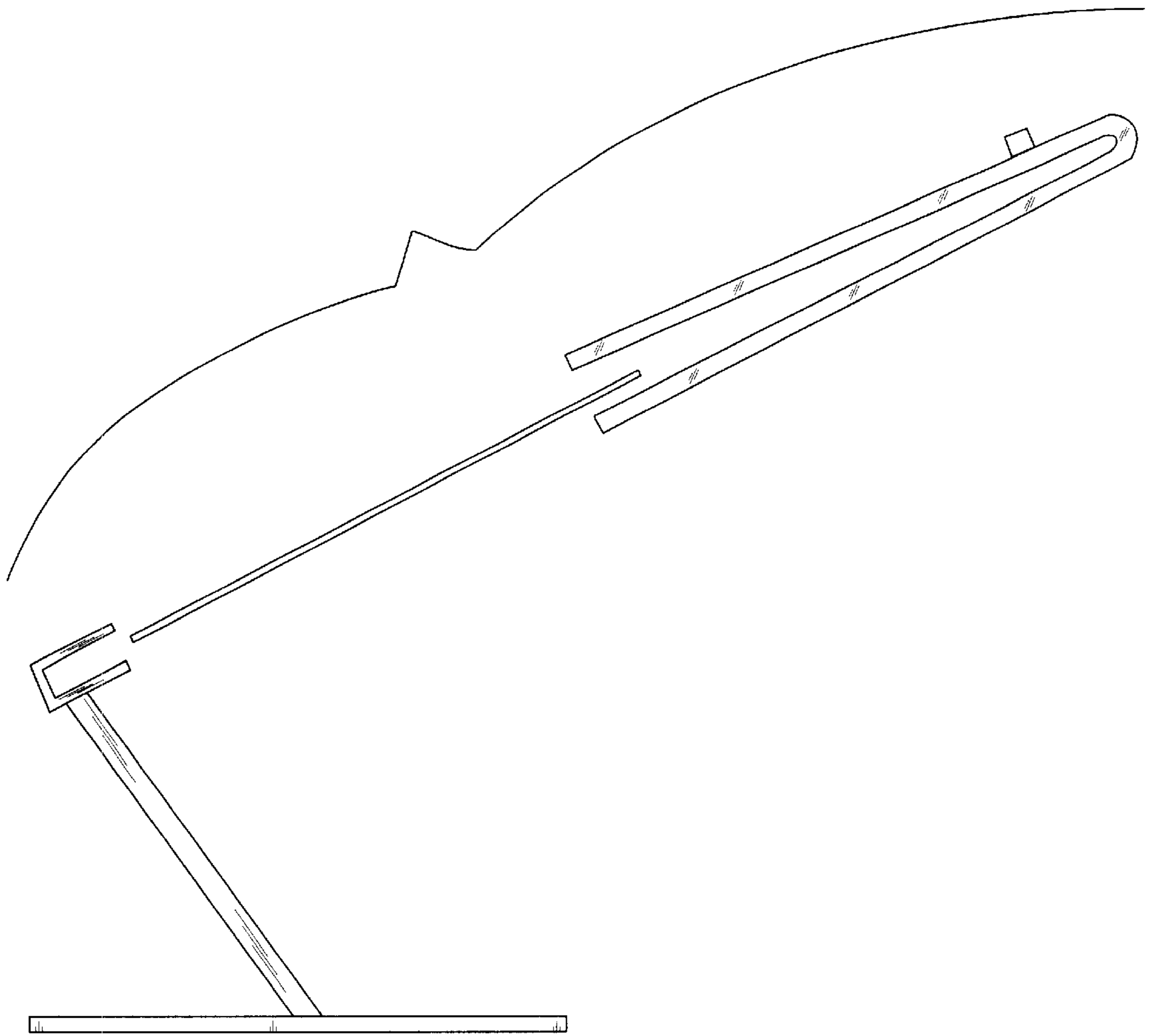


FIG. 3

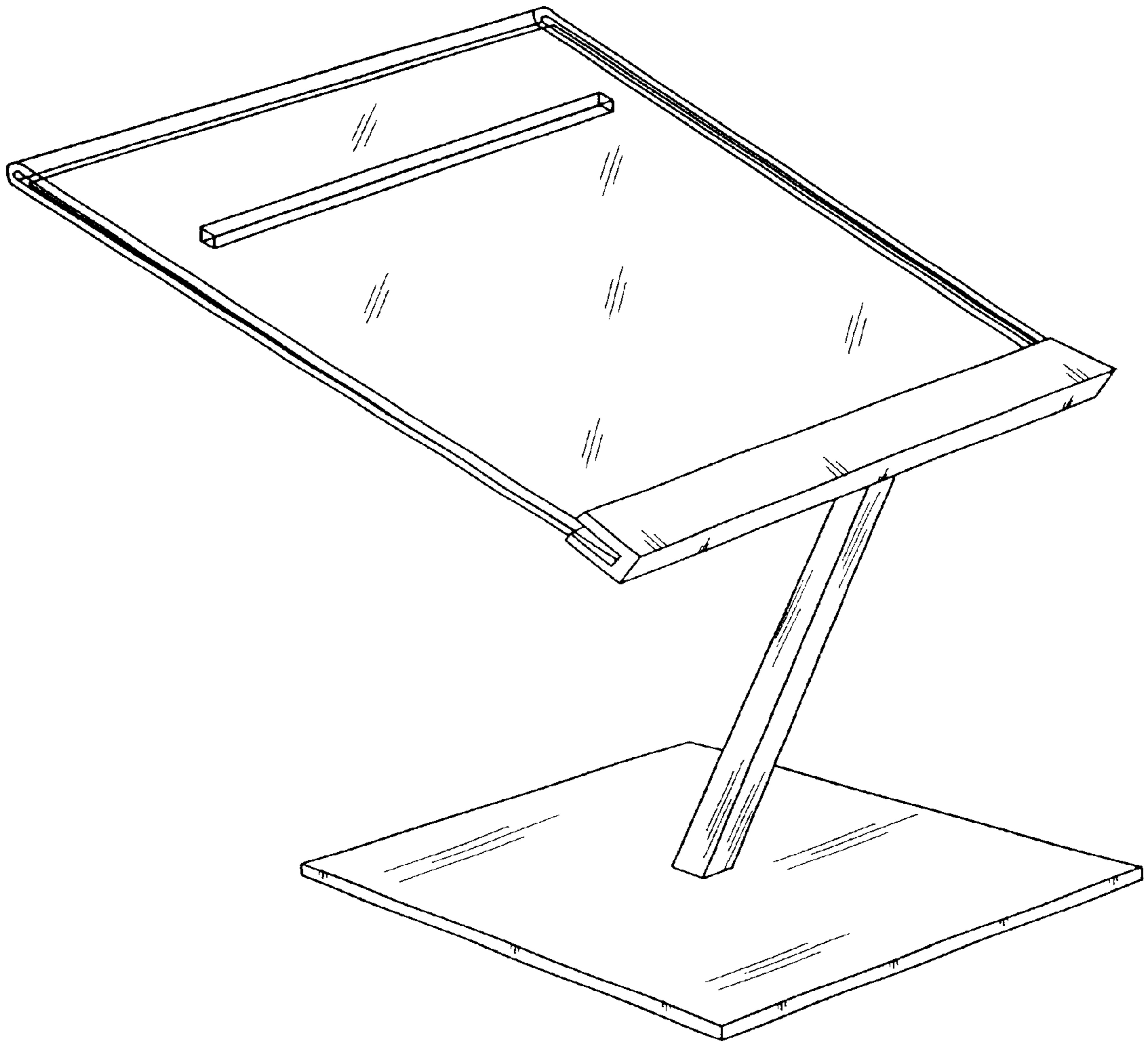


FIG. 4

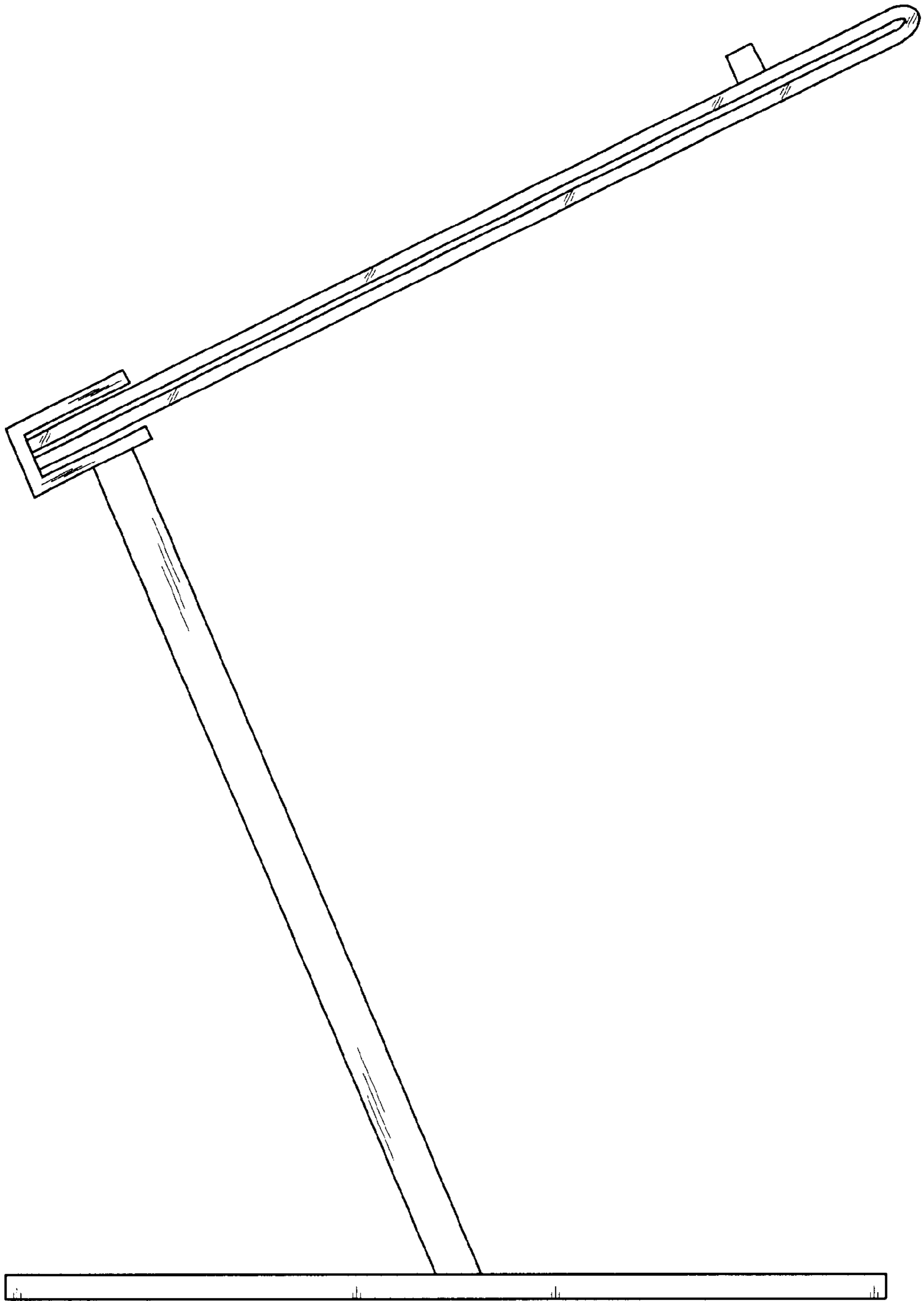


FIG. 5

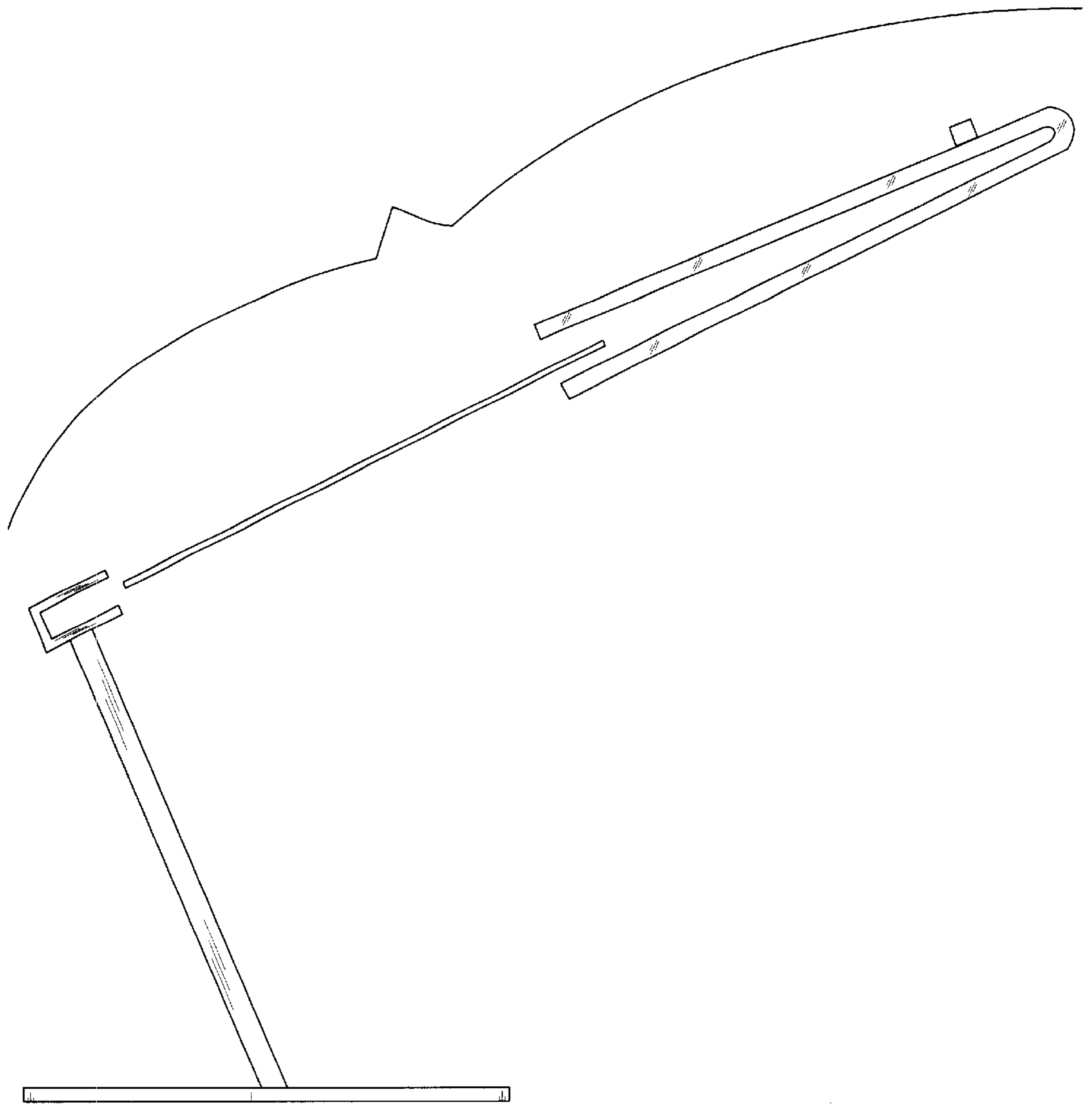


FIG. 6

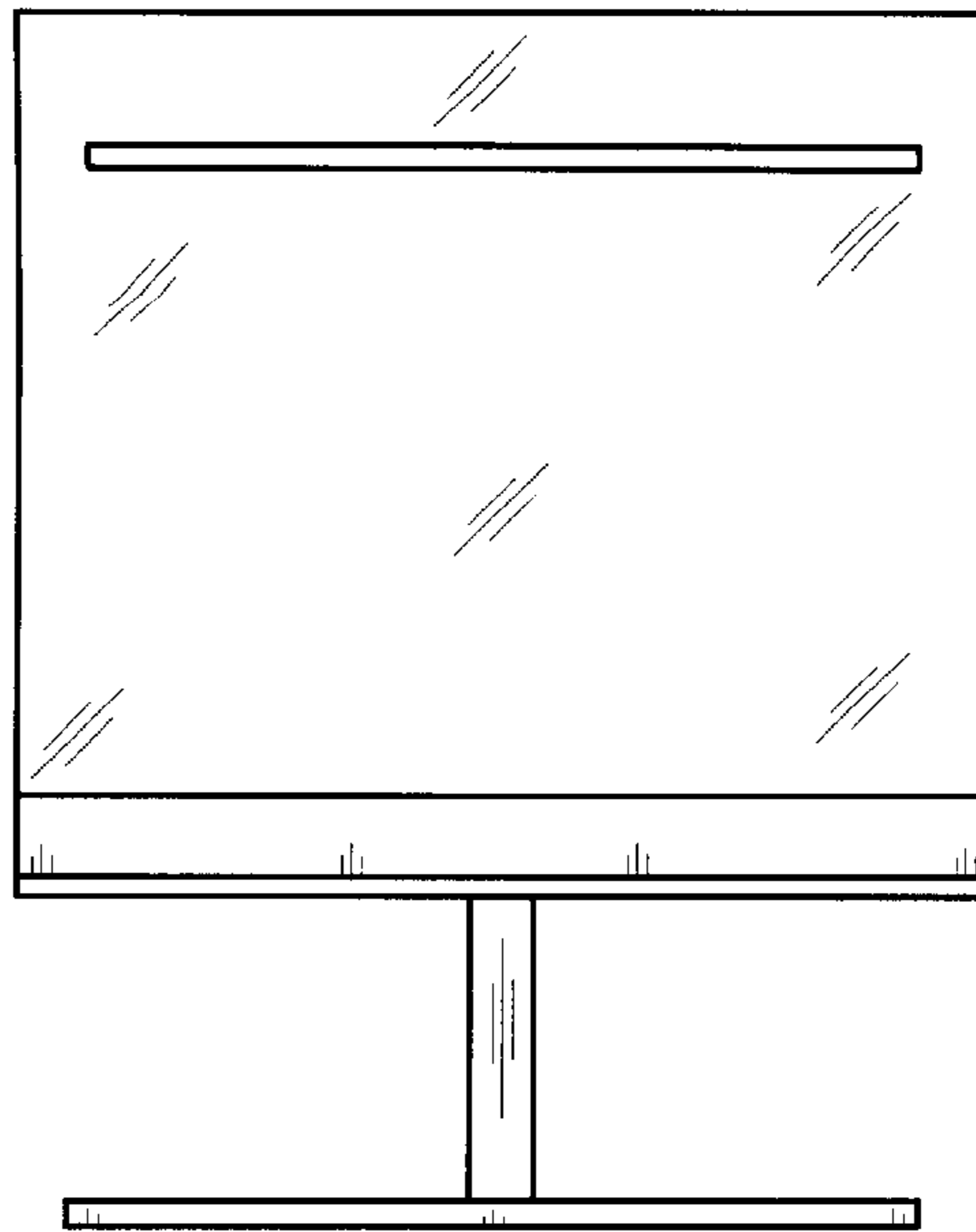


FIG. 7

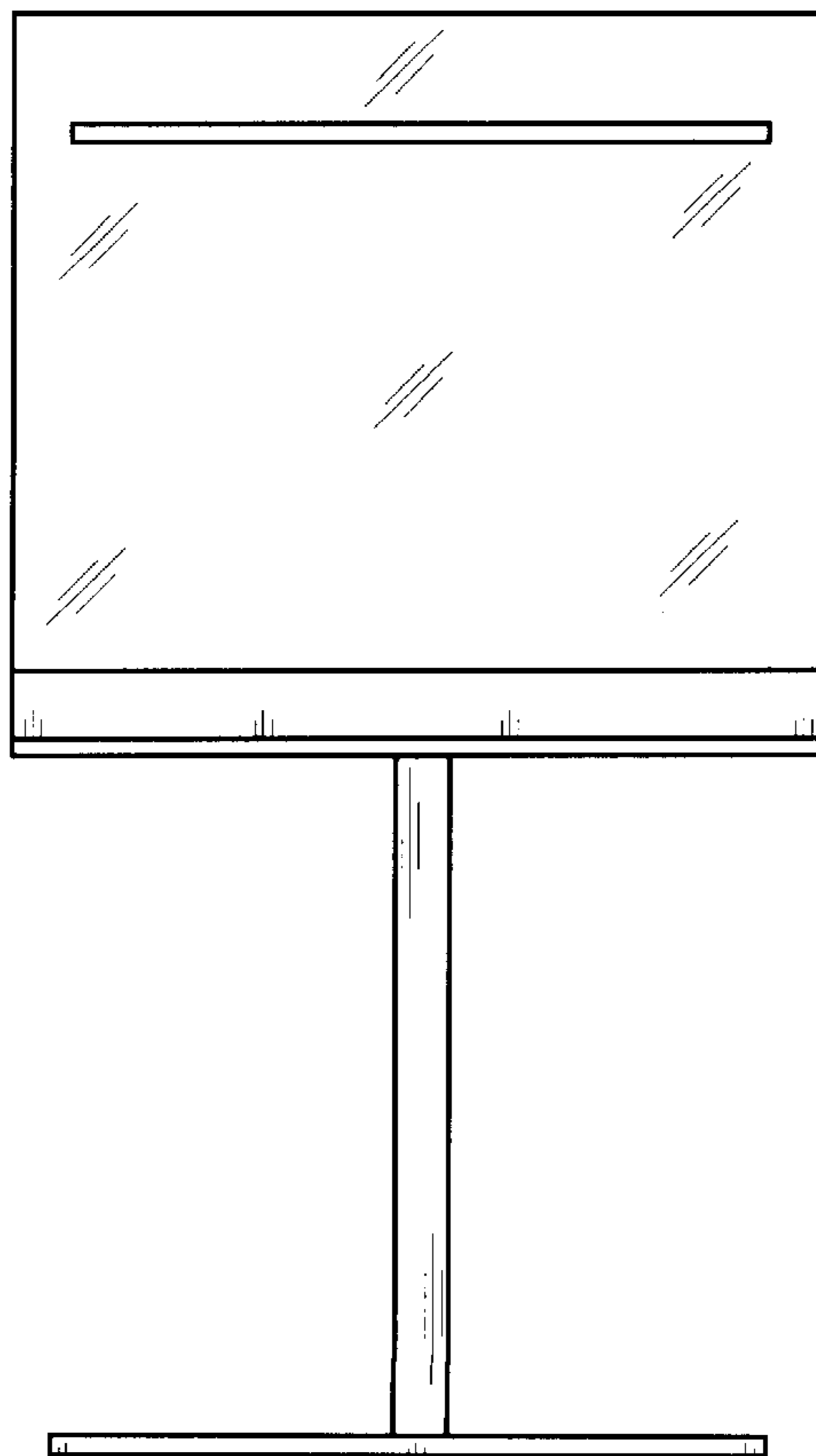


FIG. 8

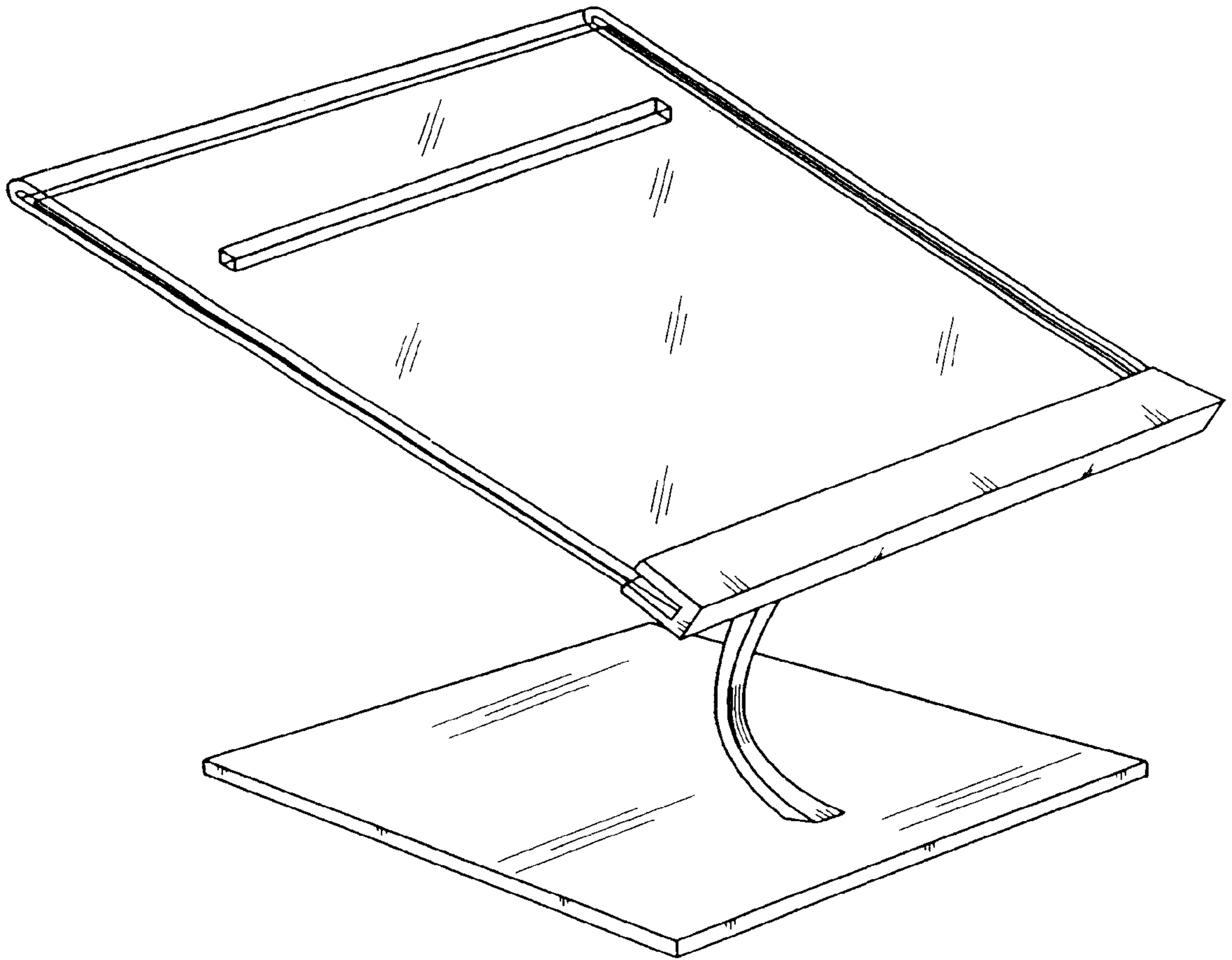


FIG. 9

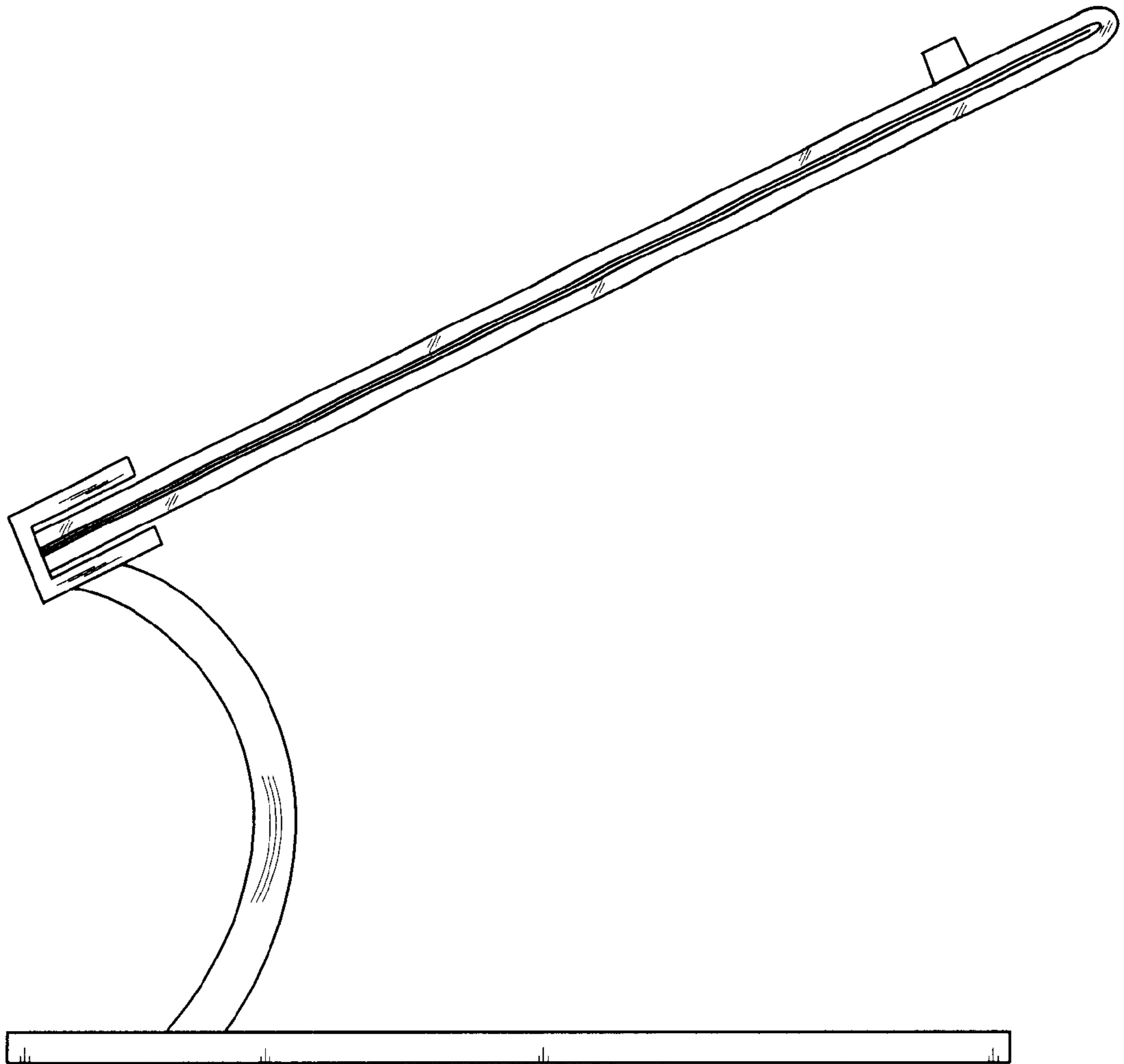


FIG. 10

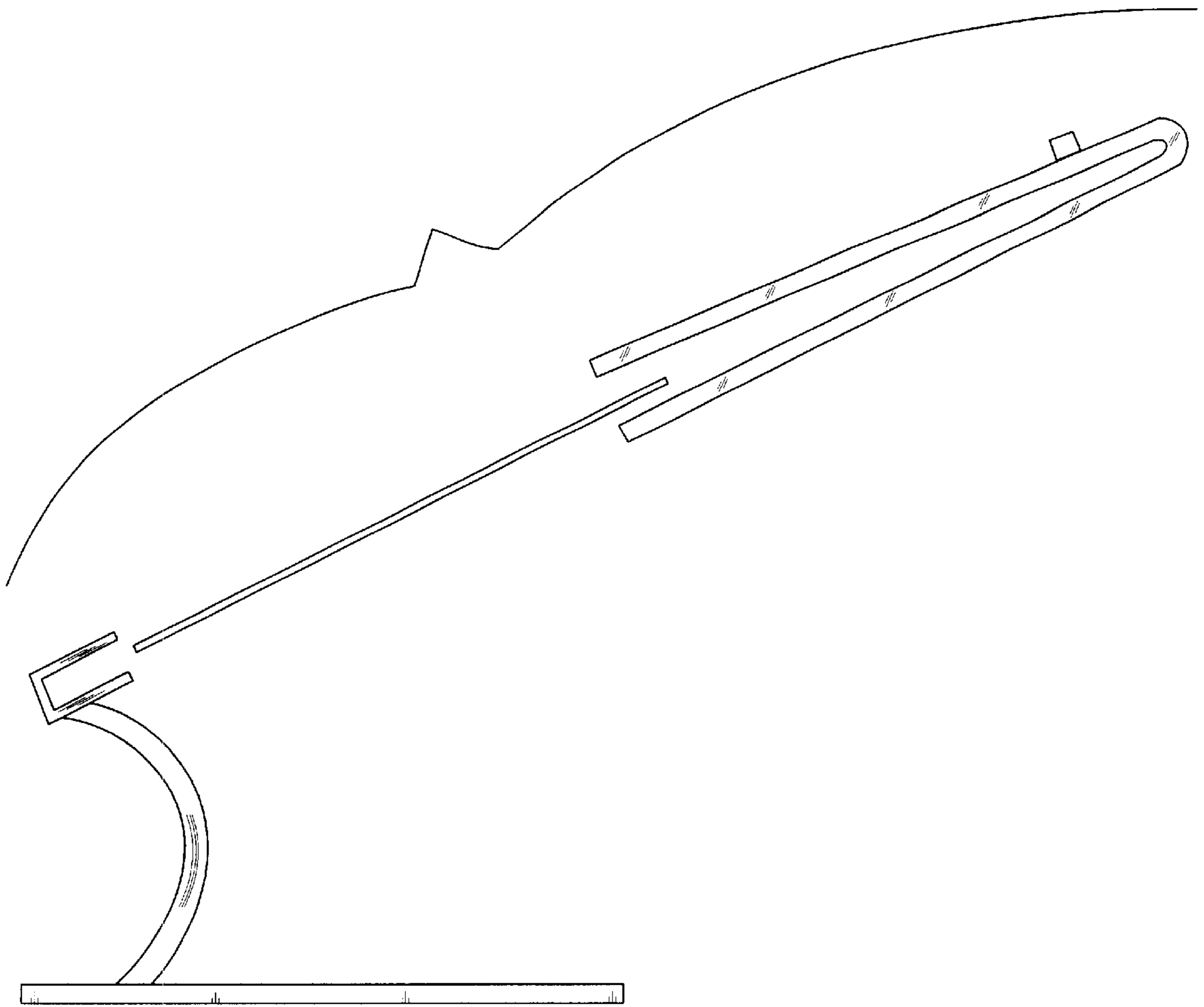


FIG. 11

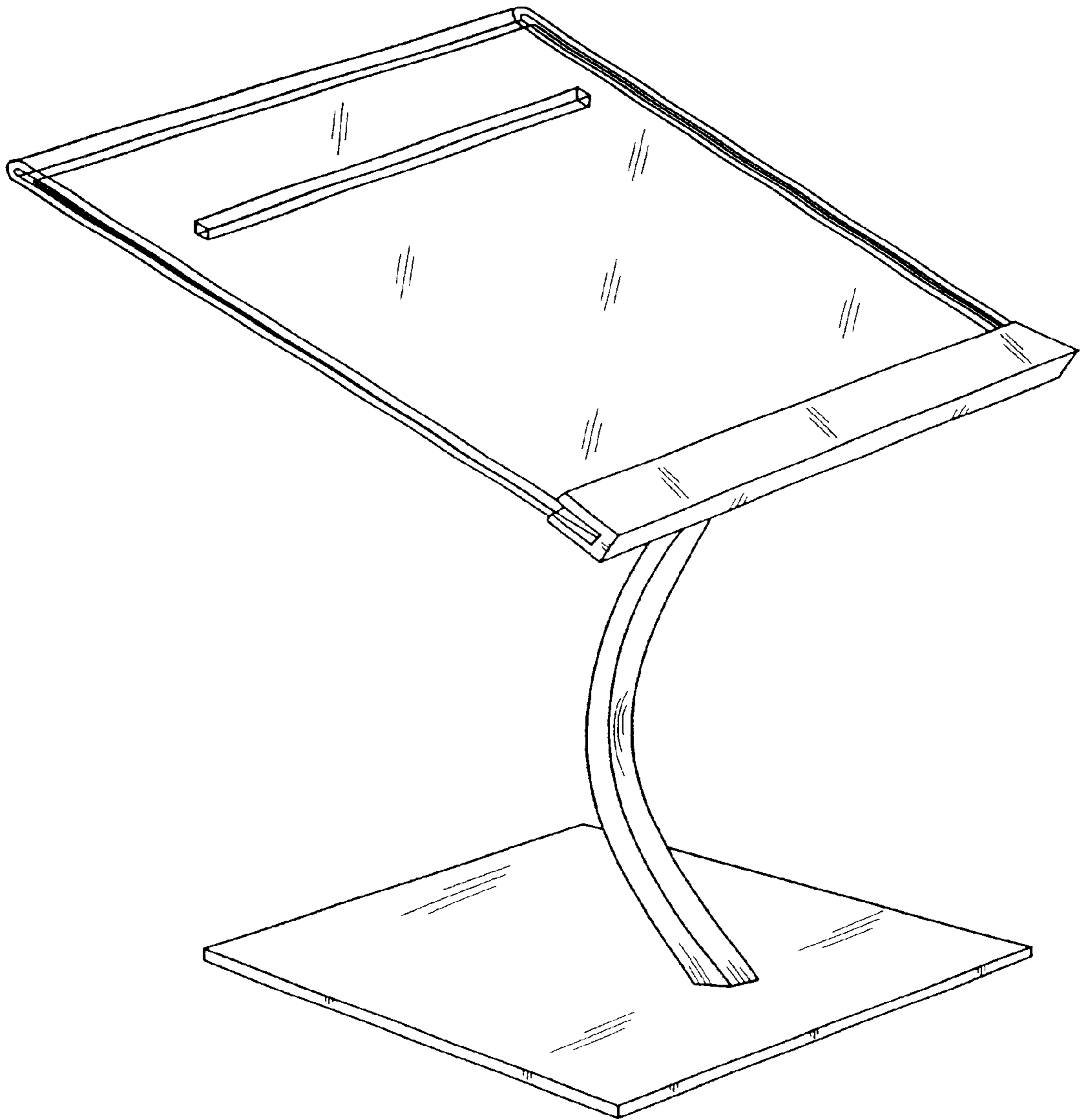


FIG. 12

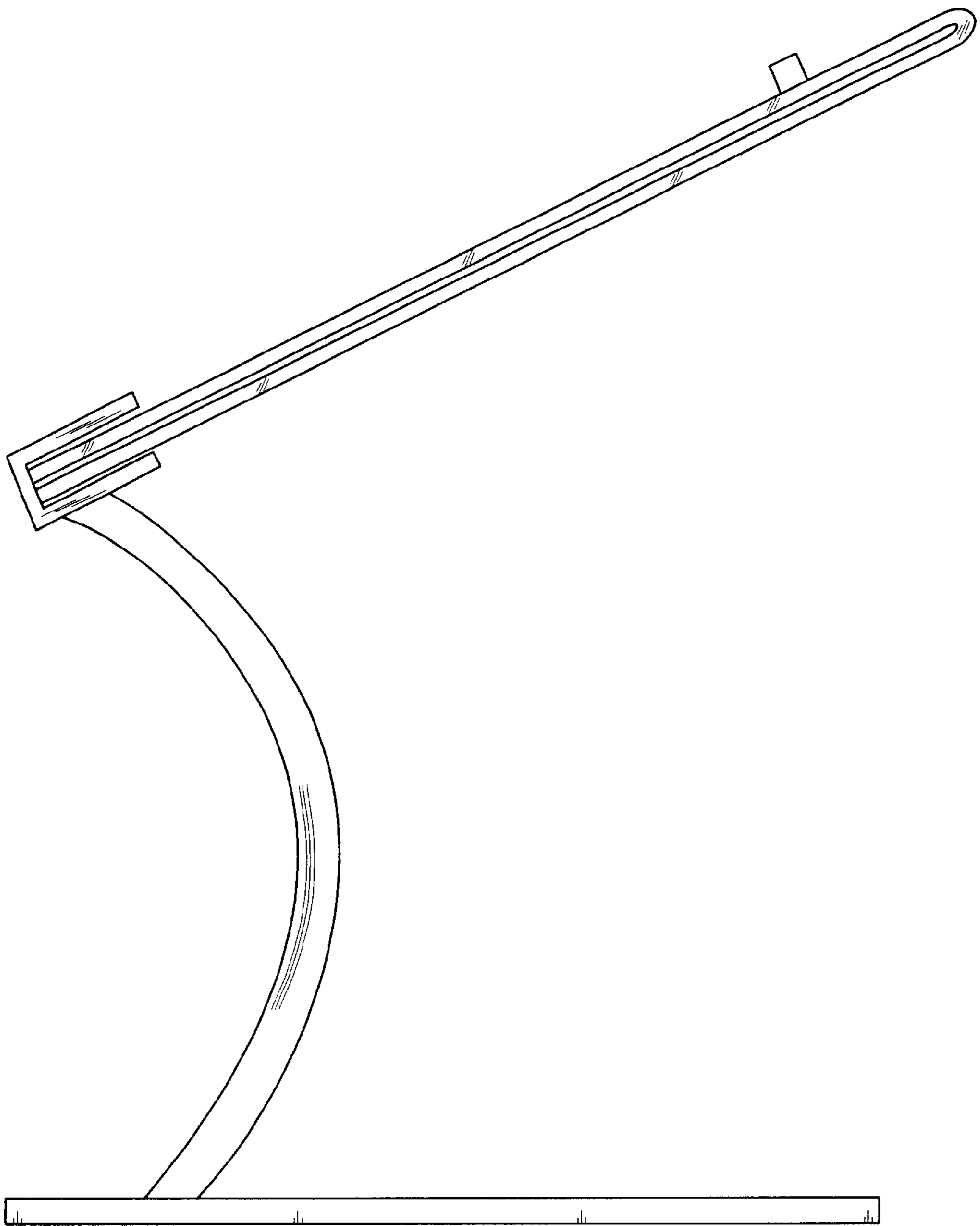


FIG. 13

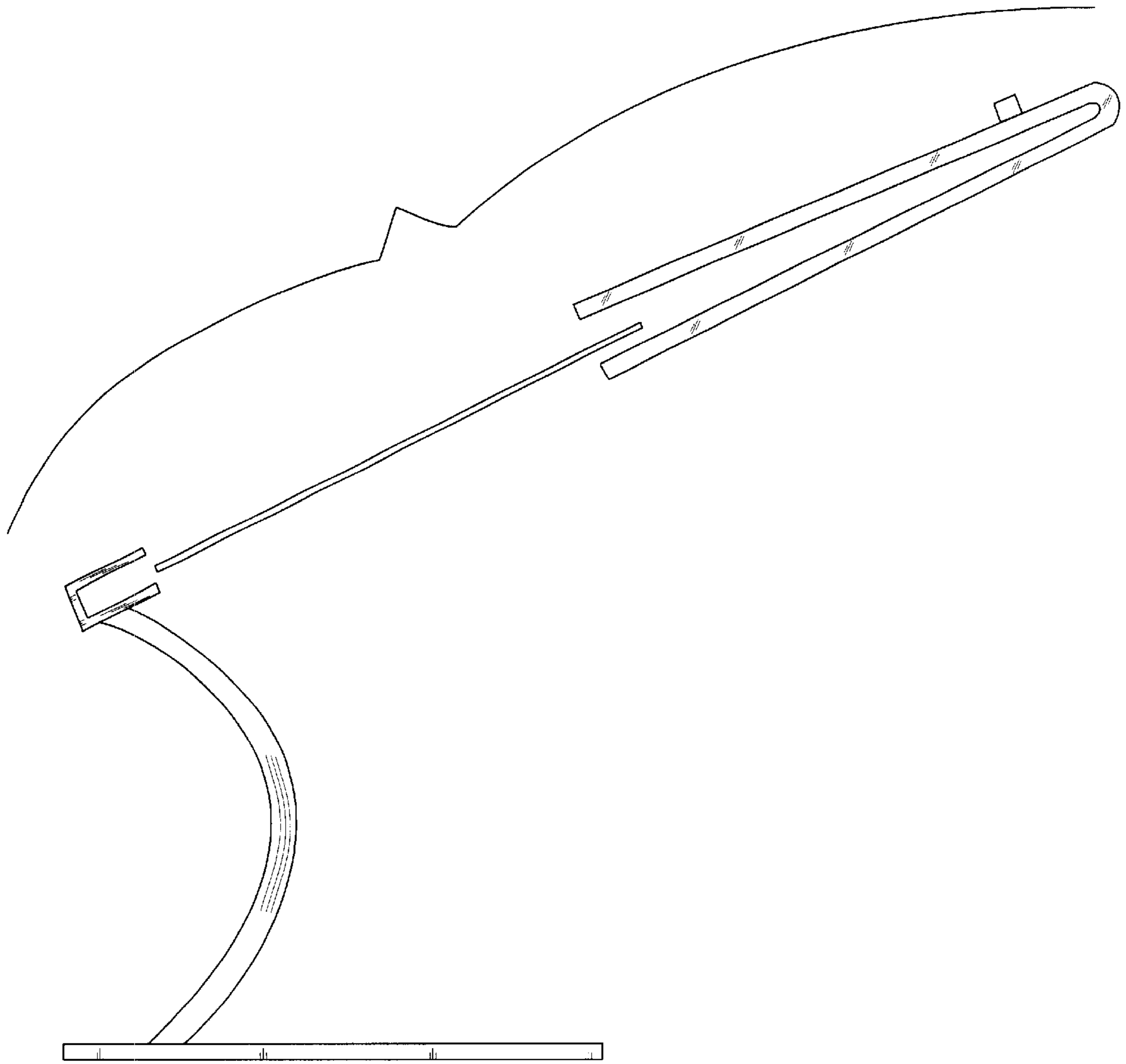


FIG. 14

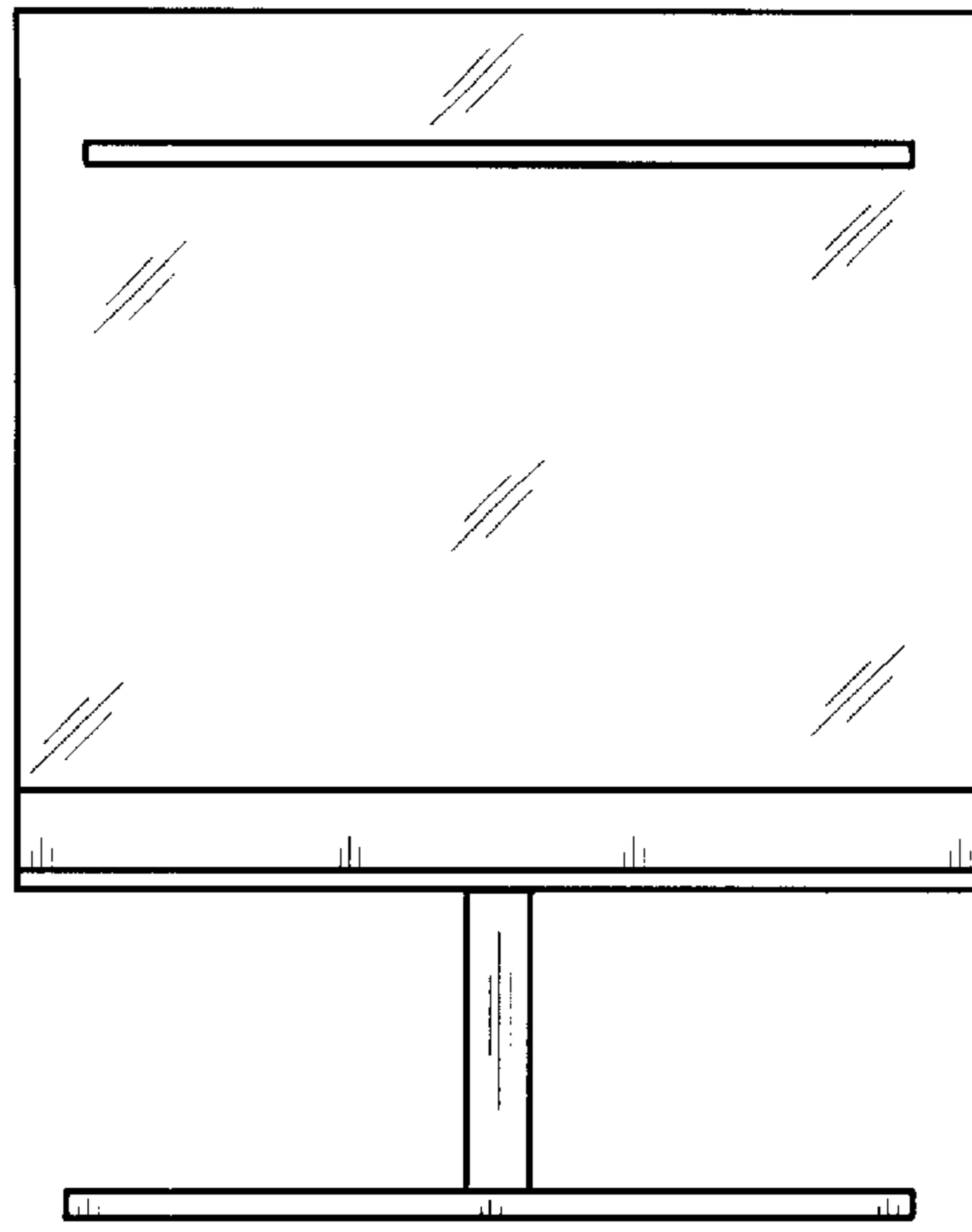


FIG. 15

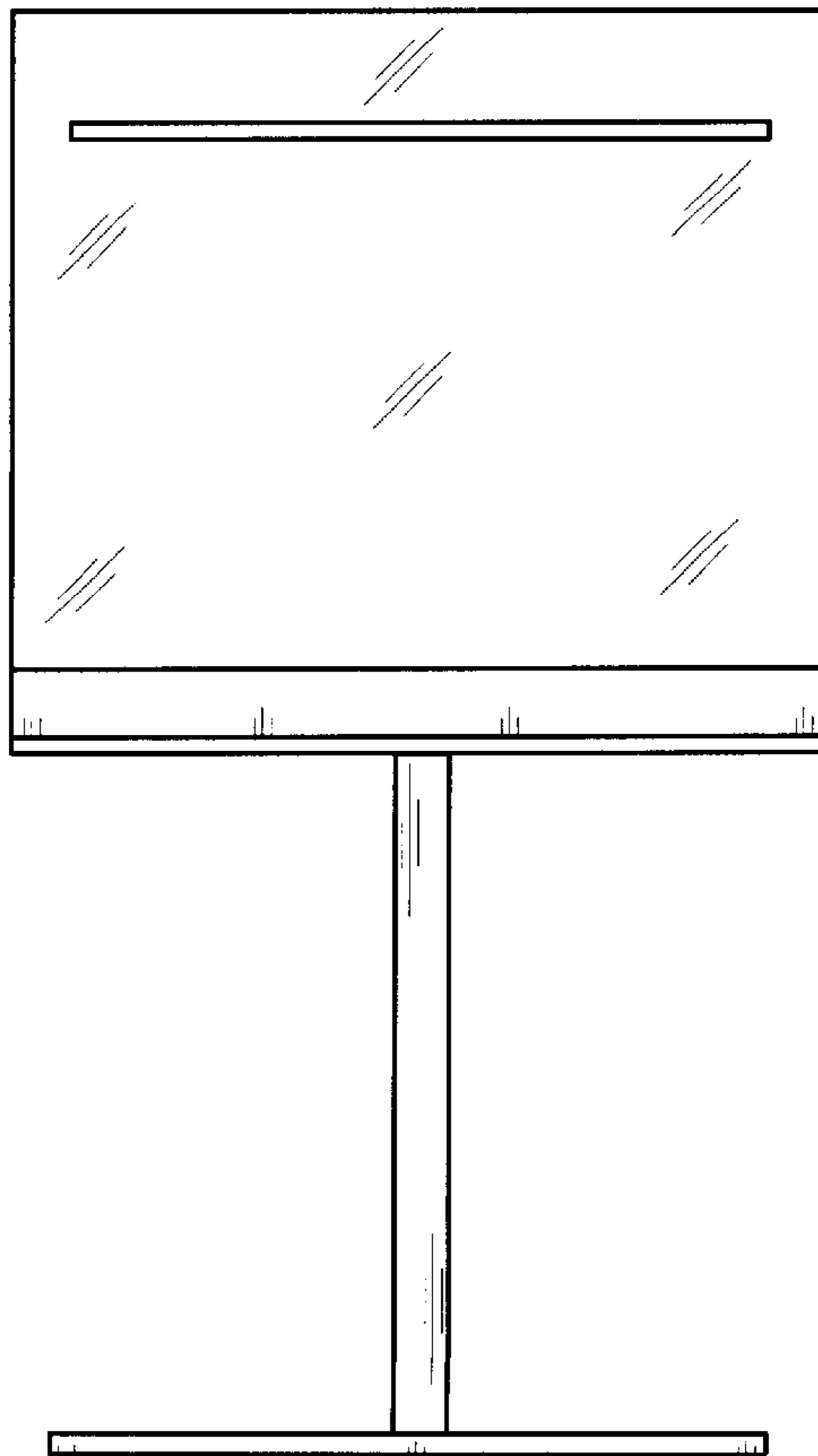


FIG. 16