



US00D472402S

(12) **United States Design Patent**
Wang

(10) **Patent No.:** **US D472,402 S**

(45) **Date of Patent:** **** Apr. 1, 2003**

(54) **COMPUTER CABINET**

D407,233 S * 3/1999 Naas et al. D6/425
D442,389 S * 5/2001 Hwang D6/426

(76) Inventor: **Chih-Wei Wang**, 58, Ma Yuan West St., Taichung (TW)

* cited by examiner

(**) Term: **14 Years**

Primary Examiner—Cathron C. Brooks

(21) Appl. No.: **29/161,218**

(57) **CLAIM**

(22) Filed: **May 28, 2002**

The ornamental design for a computer cabinet, as shown and described.

(51) **LOC (7) Cl.** **06-04**

DESCRIPTION

(52) **U.S. Cl.** **D6/436**

(58) **Field of Search** D6/396, 397, 432,
D6/433, 436, 440, 441, 444-448, 479, 509,
510, 511; D34/19, 21; 312/198, 138.1,
204, 213, 348.4

FIG. 1 is a front elevational view of a computer cabinet showing my design;

FIG. 2 is a rear elevational view thereof;

FIG. 3 is a left side elevational view thereof;

FIG. 4 is a right side elevational view thereof;

FIG. 5 is a top plan view thereof;

FIG. 6 is a bottom plan view thereof; and,

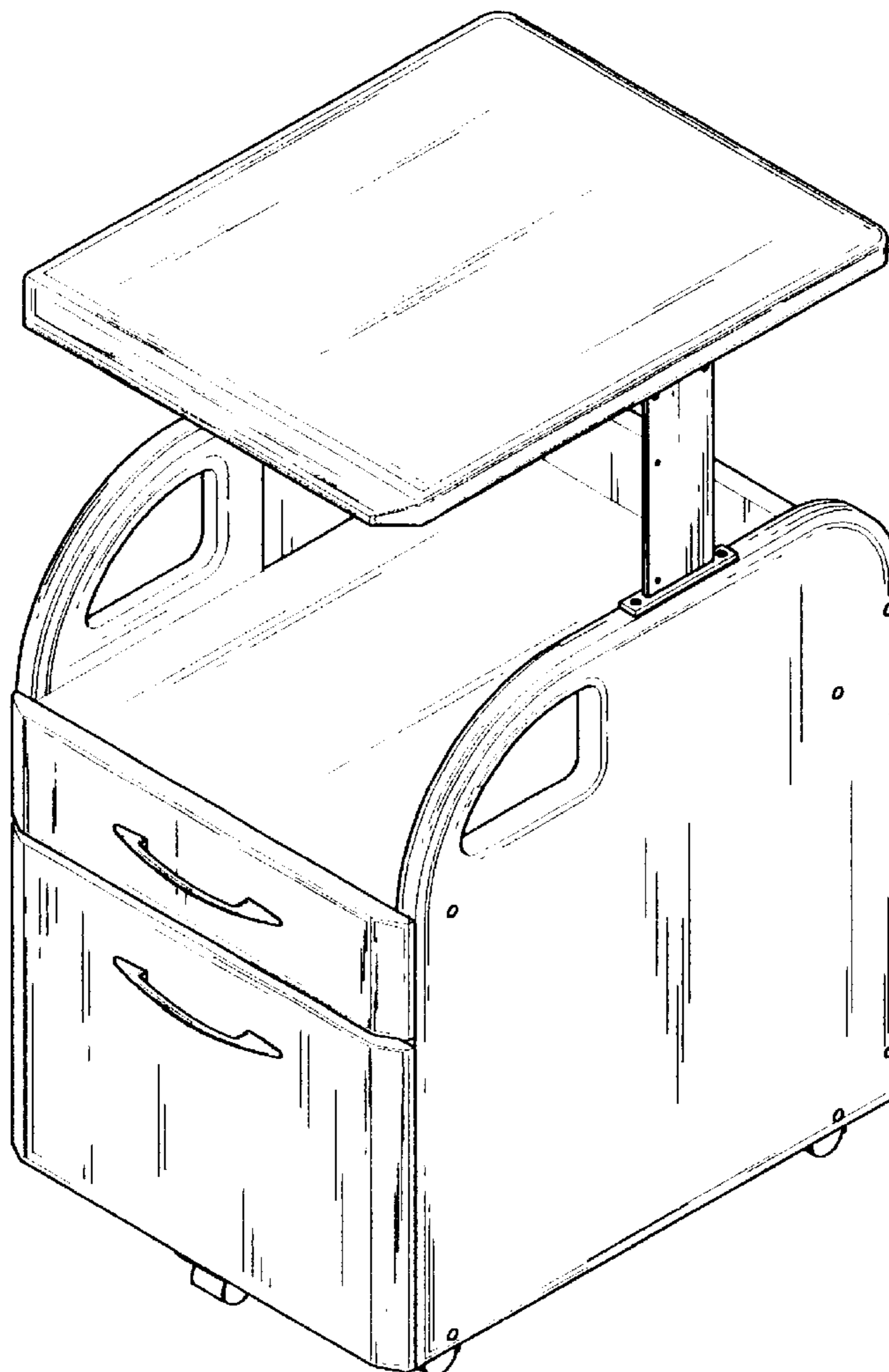
FIG. 7 is a perspective view thereof.

(56) **References Cited**

U.S. PATENT DOCUMENTS

D330,301 S * 10/1992 Ugalde D6/474
D357,781 S * 4/1995 Crinion D34/19
D388,975 S * 1/1998 Naas et al. D6/425

1 Claim, 4 Drawing Sheets



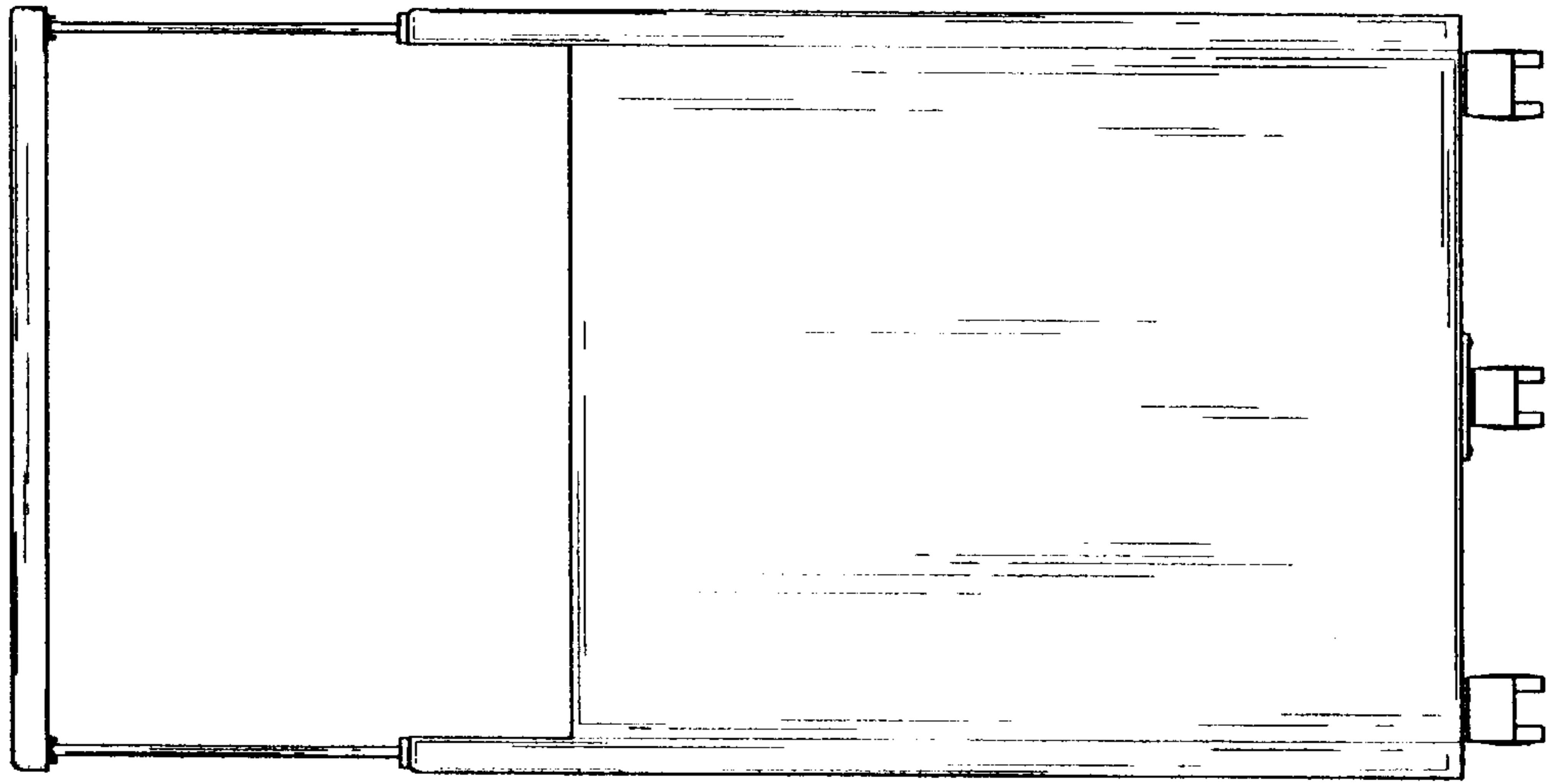


FIG. 2

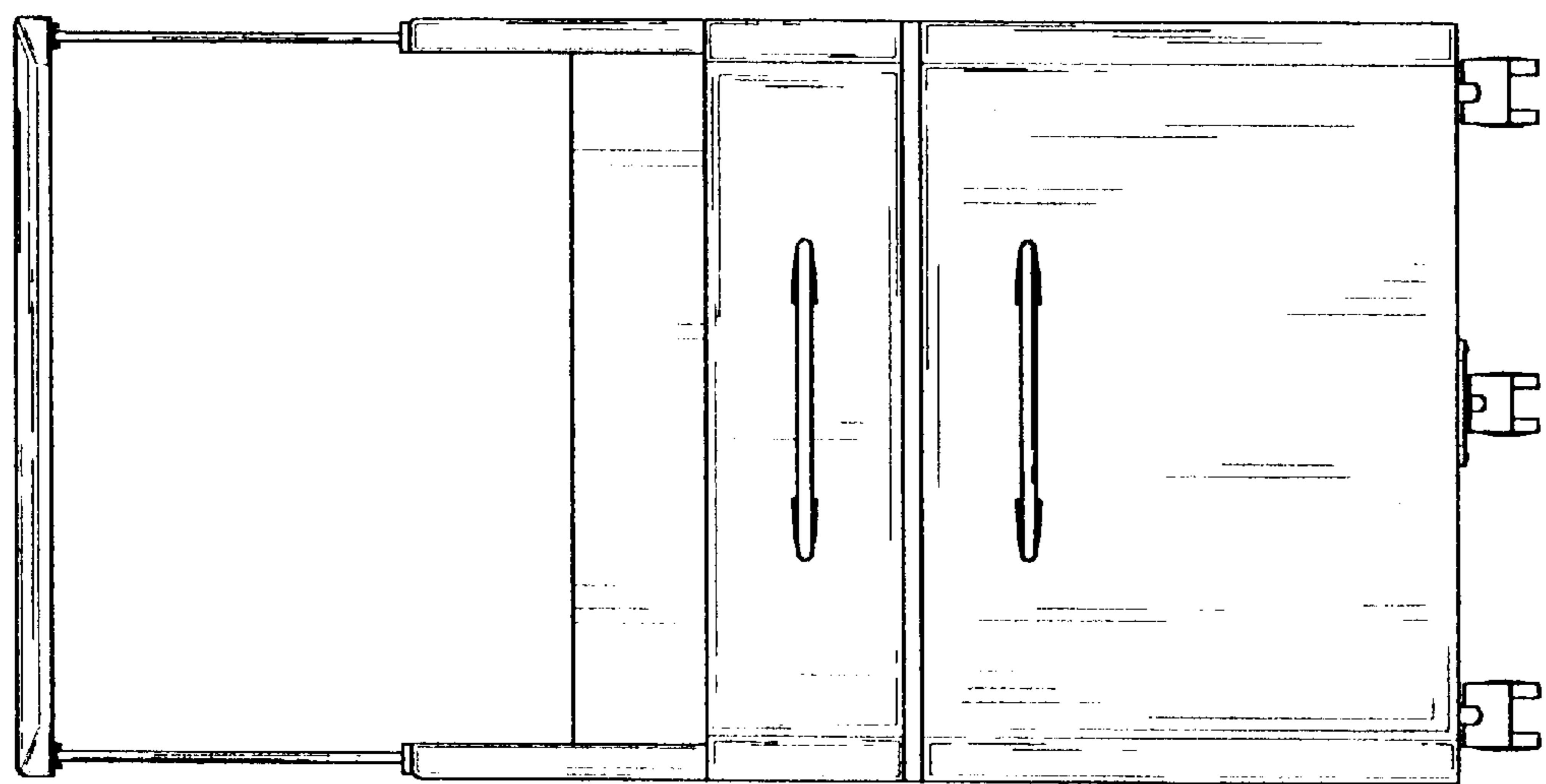
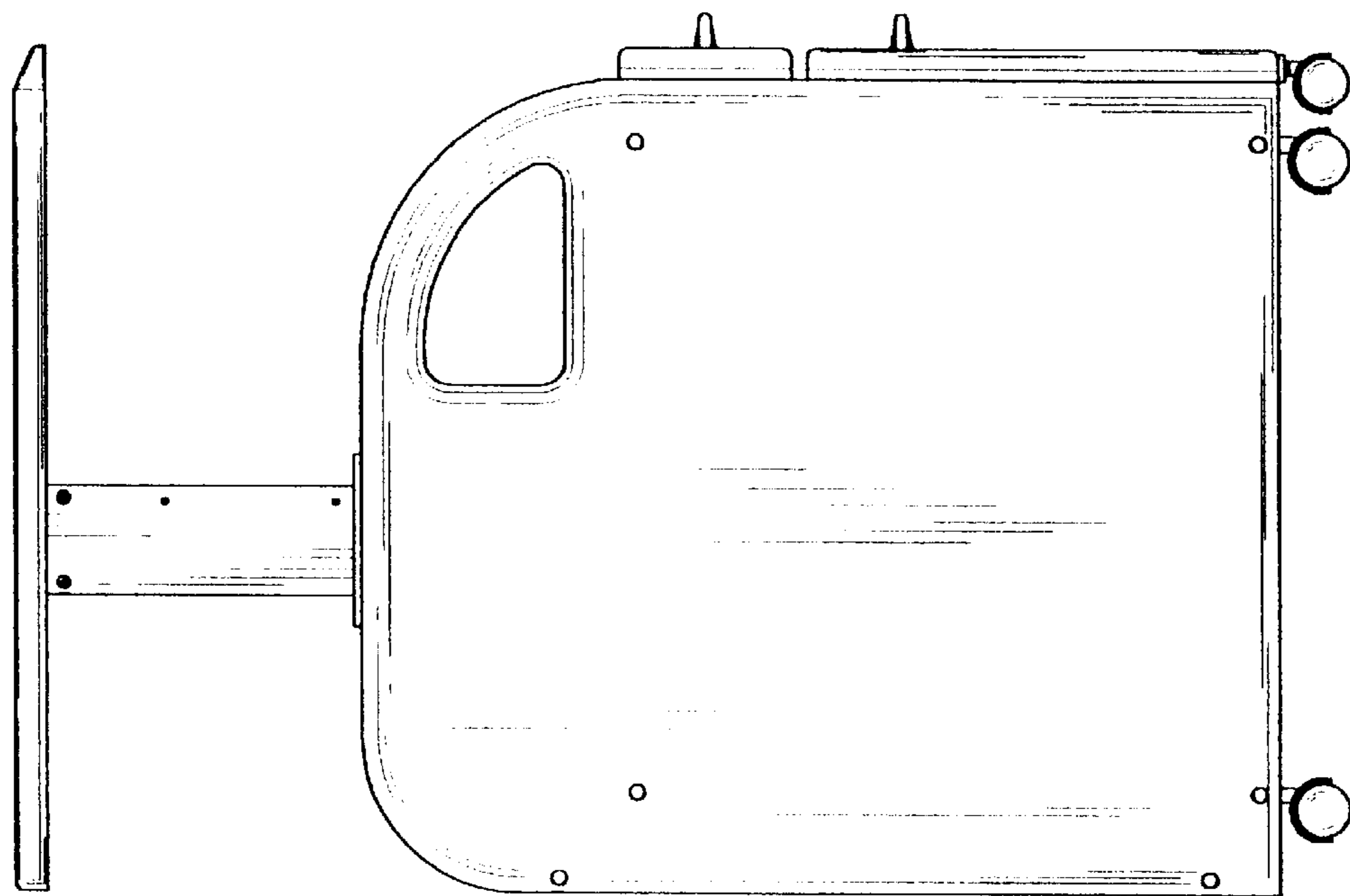
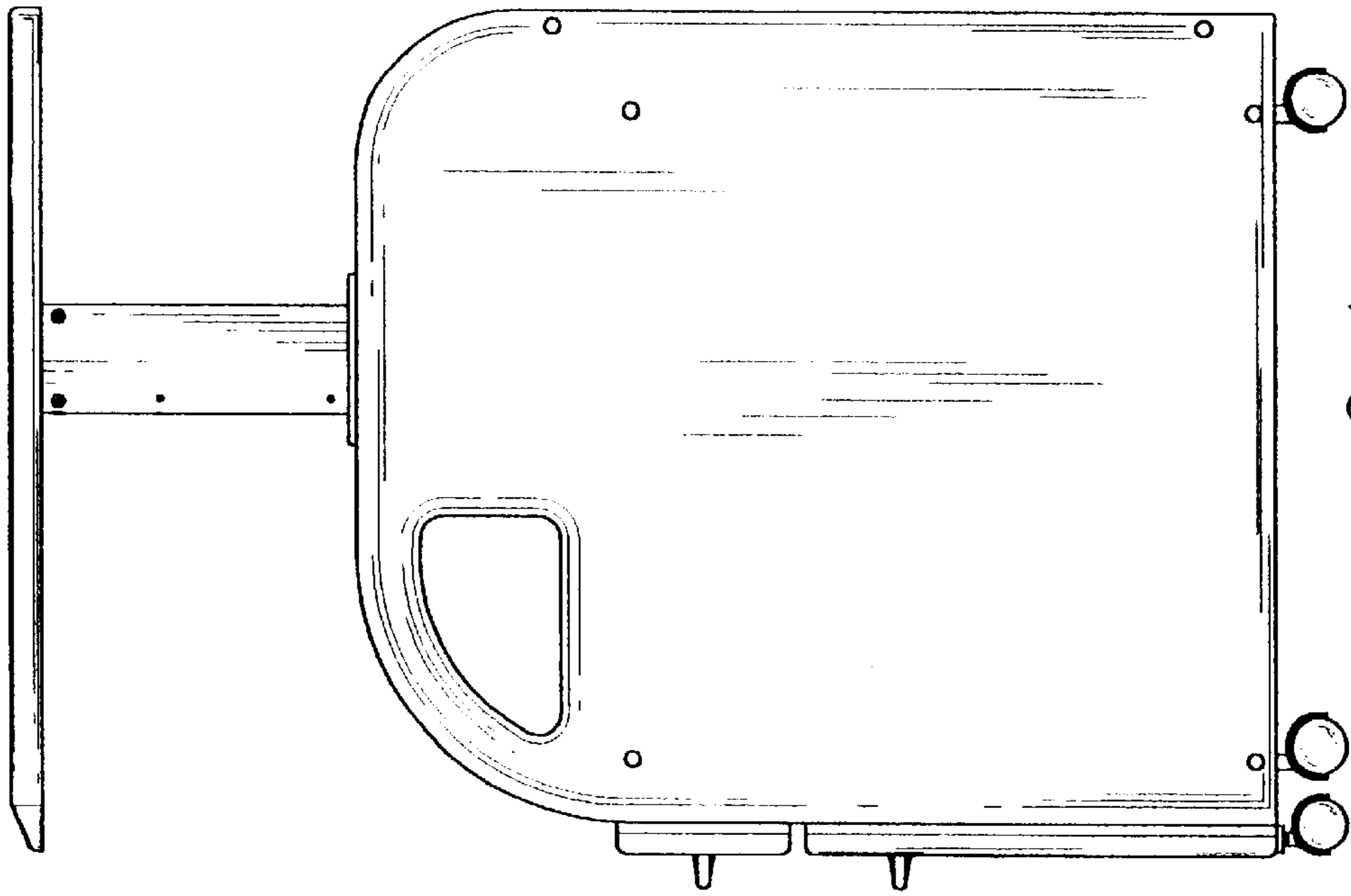


FIG. 1



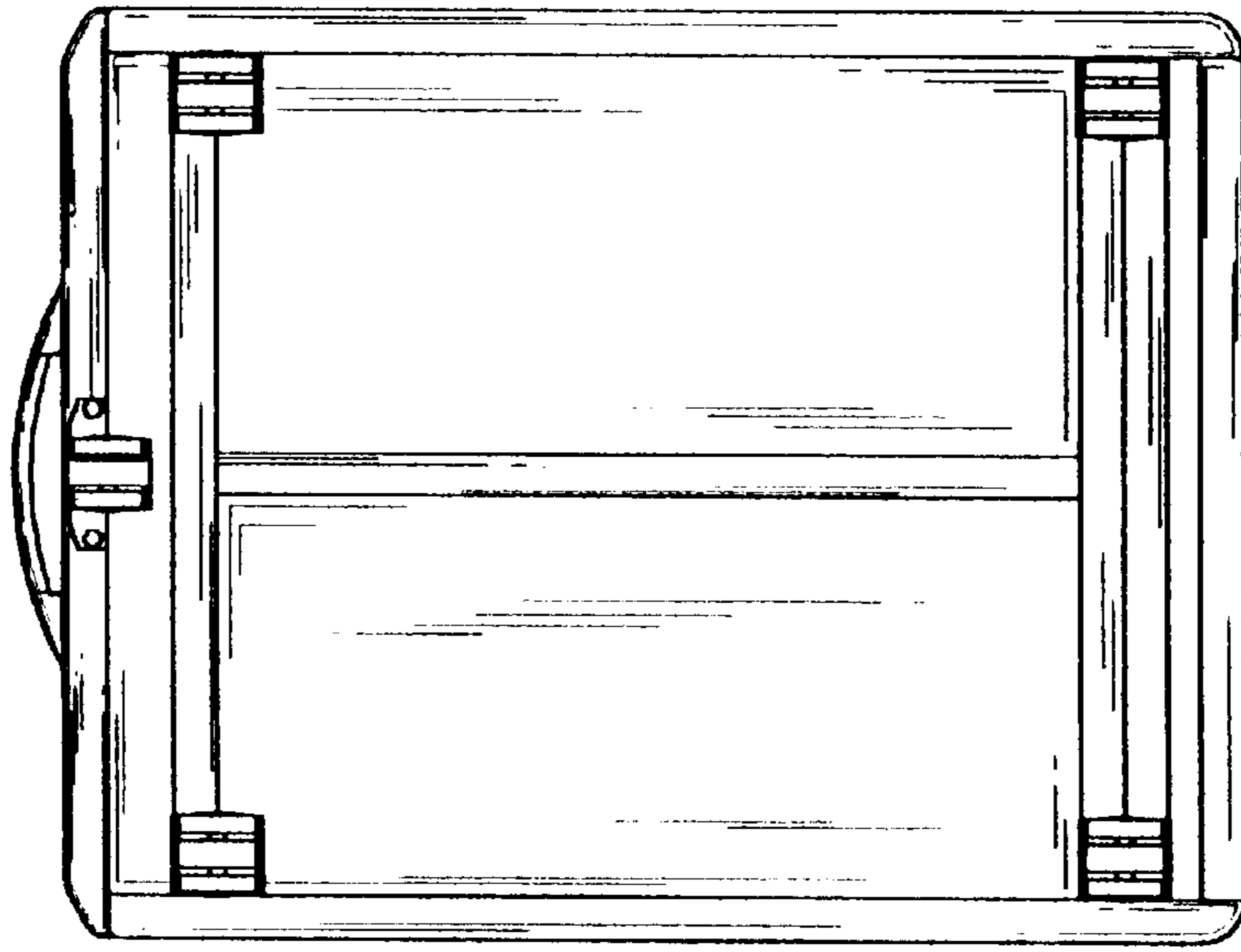


FIG. 6

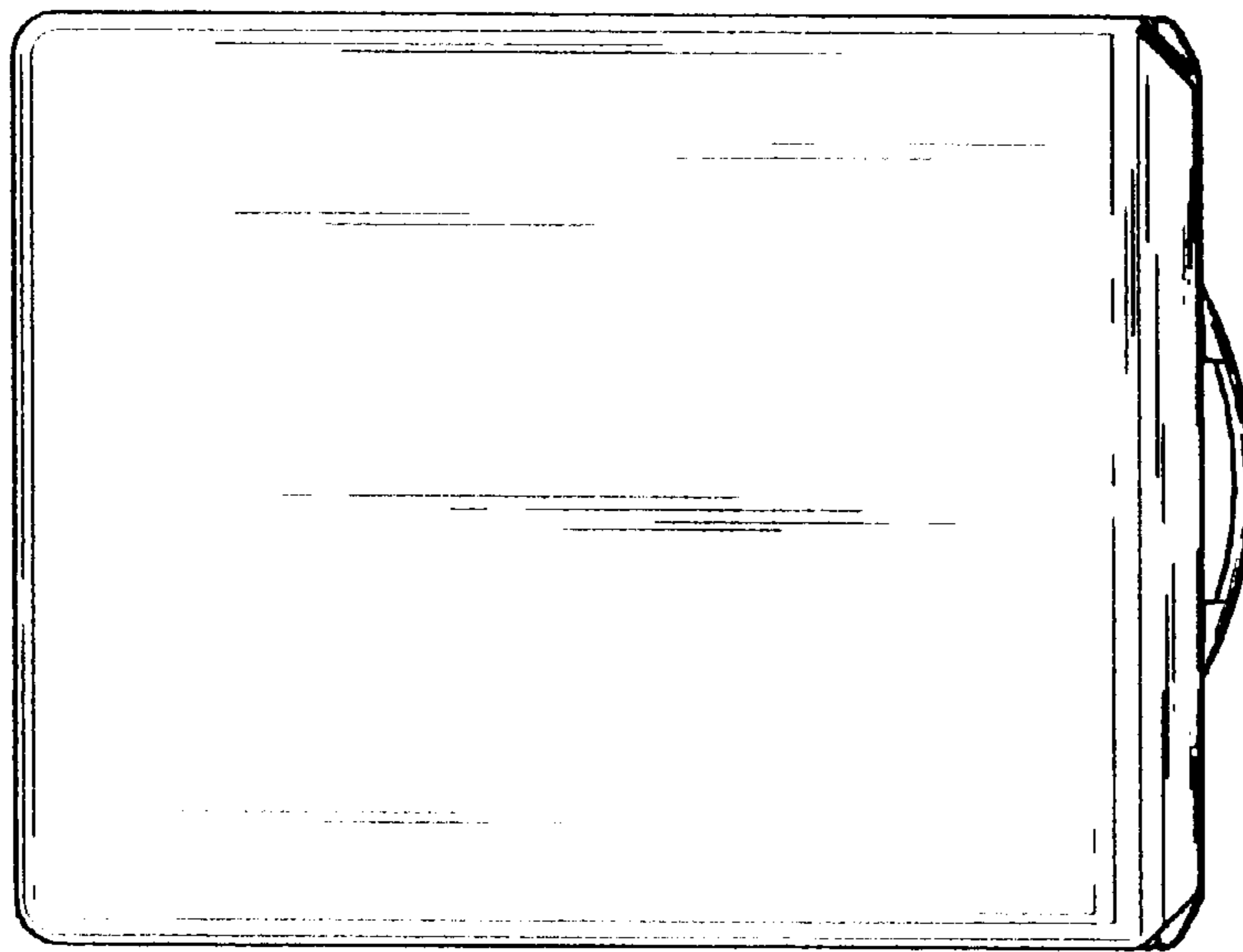


FIG. 5

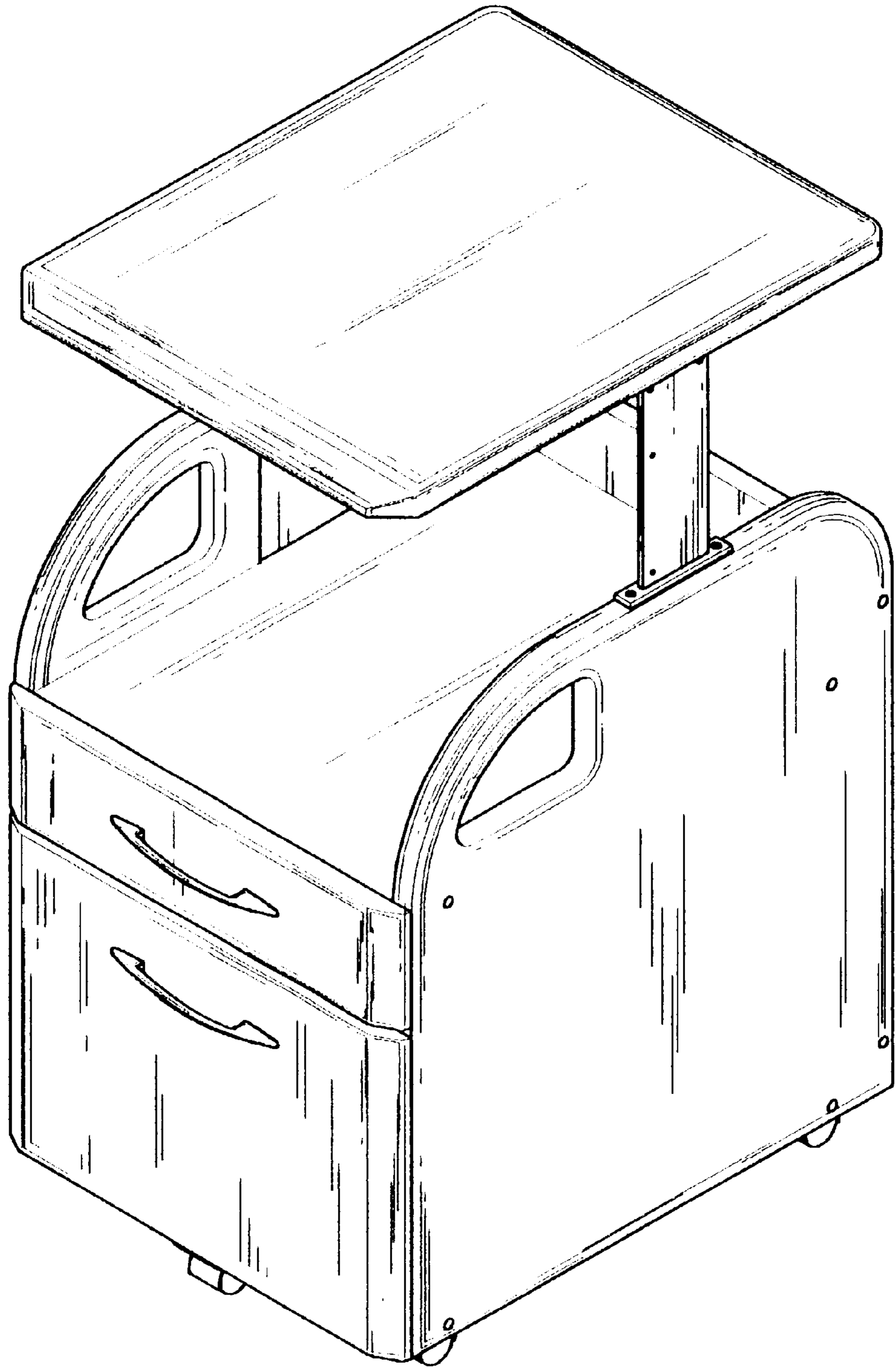


FIG. 7