



US00D472400S

(12) **United States Design Patent**
Pomodoro

(10) **Patent No.:** **US D472,400 S**

(45) **Date of Patent:** **** Apr. 1, 2003**

(54) **HEIGHT AND TILT ADJUSTABLE
WORKSTATION**

(75) Inventor: **Leonardo A. Pomodoro**, Kalamazoo,
MI (US)

(73) Assignee: **The Board of Trustees of Western
Michigan University**, Kalamazoo, MI
(US)

(**) Term: **14 Years**

(21) Appl. No.: **29/158,758**

(22) Filed: **Apr. 9, 2002**

(51) **LOC (7) Cl.** **06-04**

(52) **U.S. Cl.** **D6/426**

(58) **Field of Search** D6/422-428, 477,
D6/479, 474, 480; 312/194-196, 204, 208.1,
208.2, 208.4, 239; 108/50.01, 50.02

(56) **References Cited**

U.S. PATENT DOCUMENTS

D242,832 S	*	12/1976	Swensson	D6/423
D381,835 S	*	8/1997	Corpuz, Jr. et al.	D6/426
D405,981 S	*	2/1999	Alexander et al.	D6/426
D422,429 S	*	4/2000	Belka et al.	D6/421
D436,469 S	*	1/2001	Idaszak et al.	D6/480

* cited by examiner

Primary Examiner—Janice E. Seeger
(74) *Attorney, Agent, or Firm*—Flynn, Thiel, Boutell &
Tanis, P.C.

(57) **CLAIM**

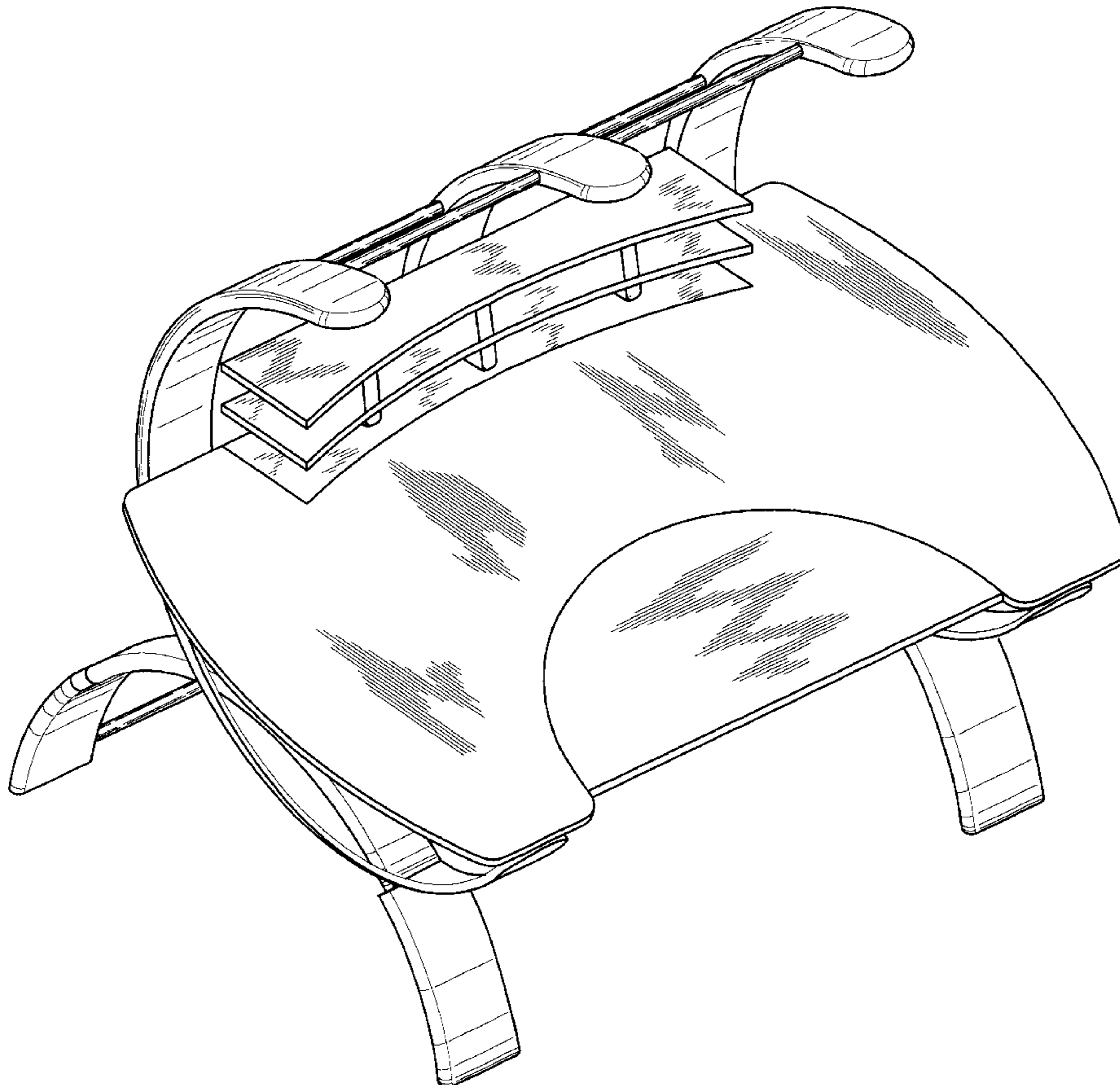
The ornamental design of a height and tilt adjustable work-
station, as shown and described.

DESCRIPTION

FIG. 1 is a perspective view of the workstation of the present
invention in its lowest elevational position;
FIG. 2 is a front view of the FIG. 1 workstation;
FIG. 3 is a back view of the FIG. 1 workstation;
FIG. 4 is a top view of the FIG. 1 workstation;
FIG. 5 is a bottom view of the FIG. 1 workstation;
FIG. 6 is a left side view of the FIG. 1 workstation;
FIG. 7 is a right side view of the FIG. 1 workstation;
FIG. 8 is a left side view of the FIG. 1 workstation in its
highest elevational position; and,
FIG. 9 is a left side view of the FIG. 1 workstation with the
worksurface in a tilted orientation, wherein the shelving unit
is removed.

Throughout the drawings, broken lines depict environmental
subject matter which is not part of the claimed design.

1 Claim, 9 Drawing Sheets



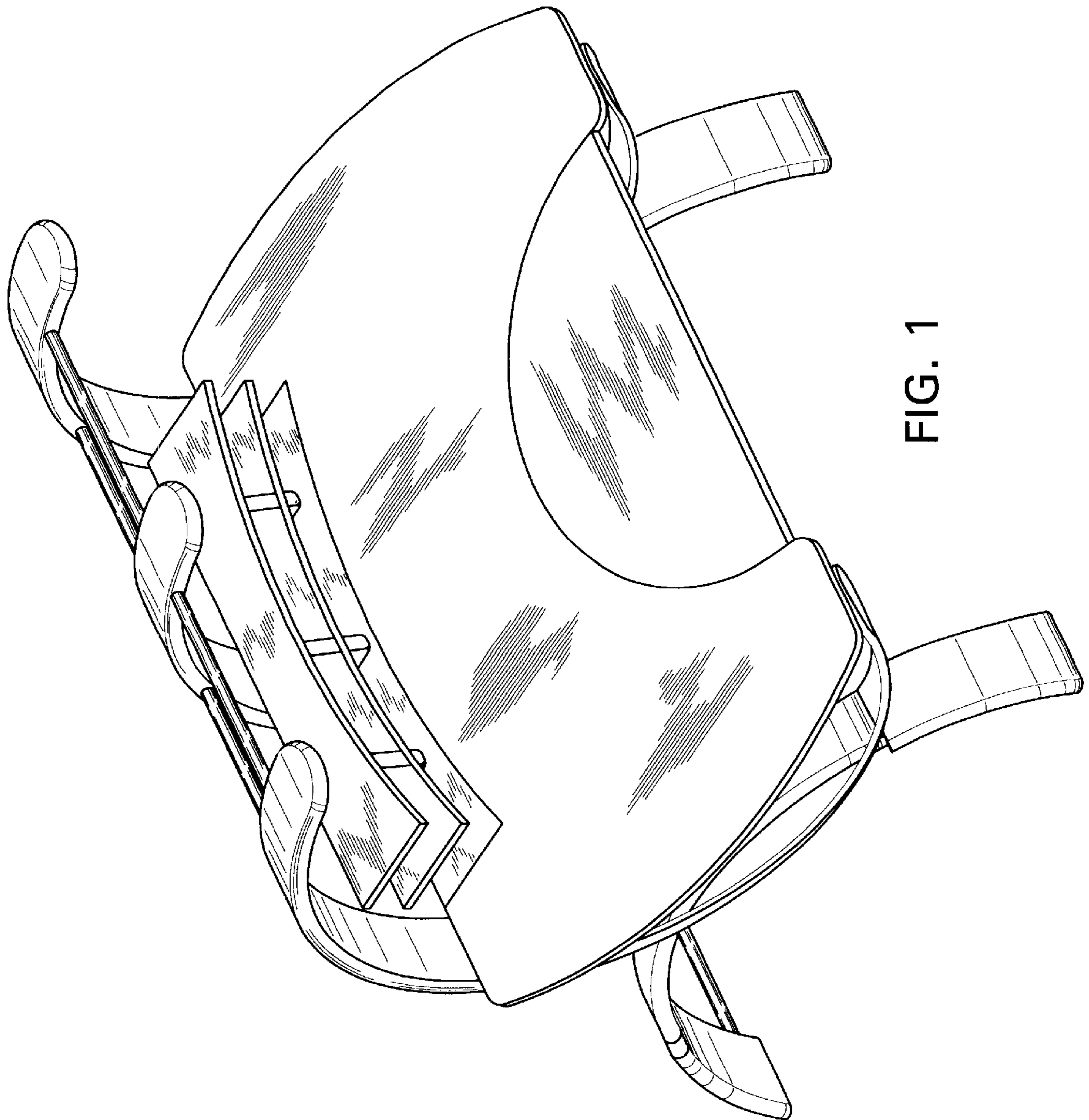


FIG. 1

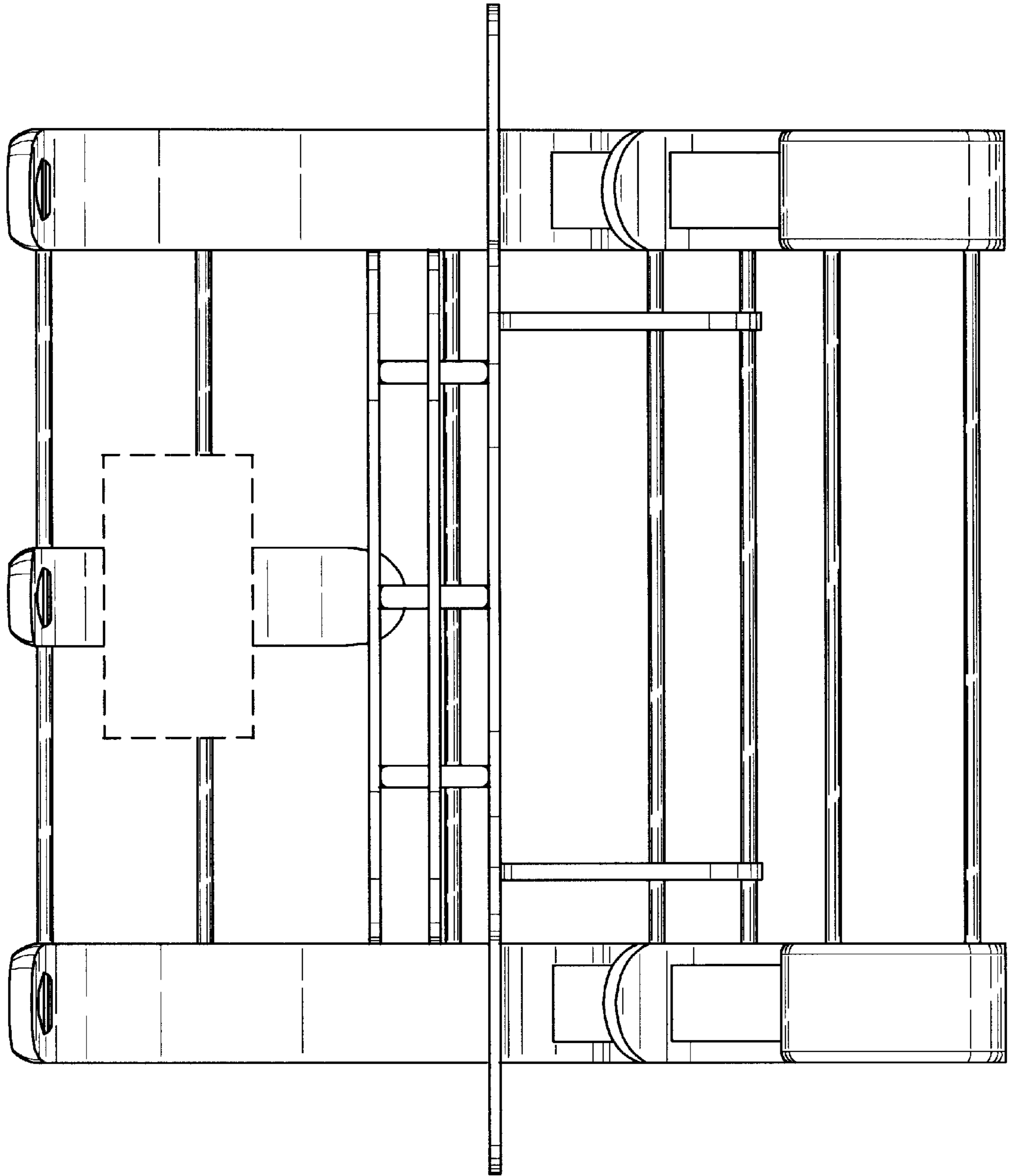


FIG. 2

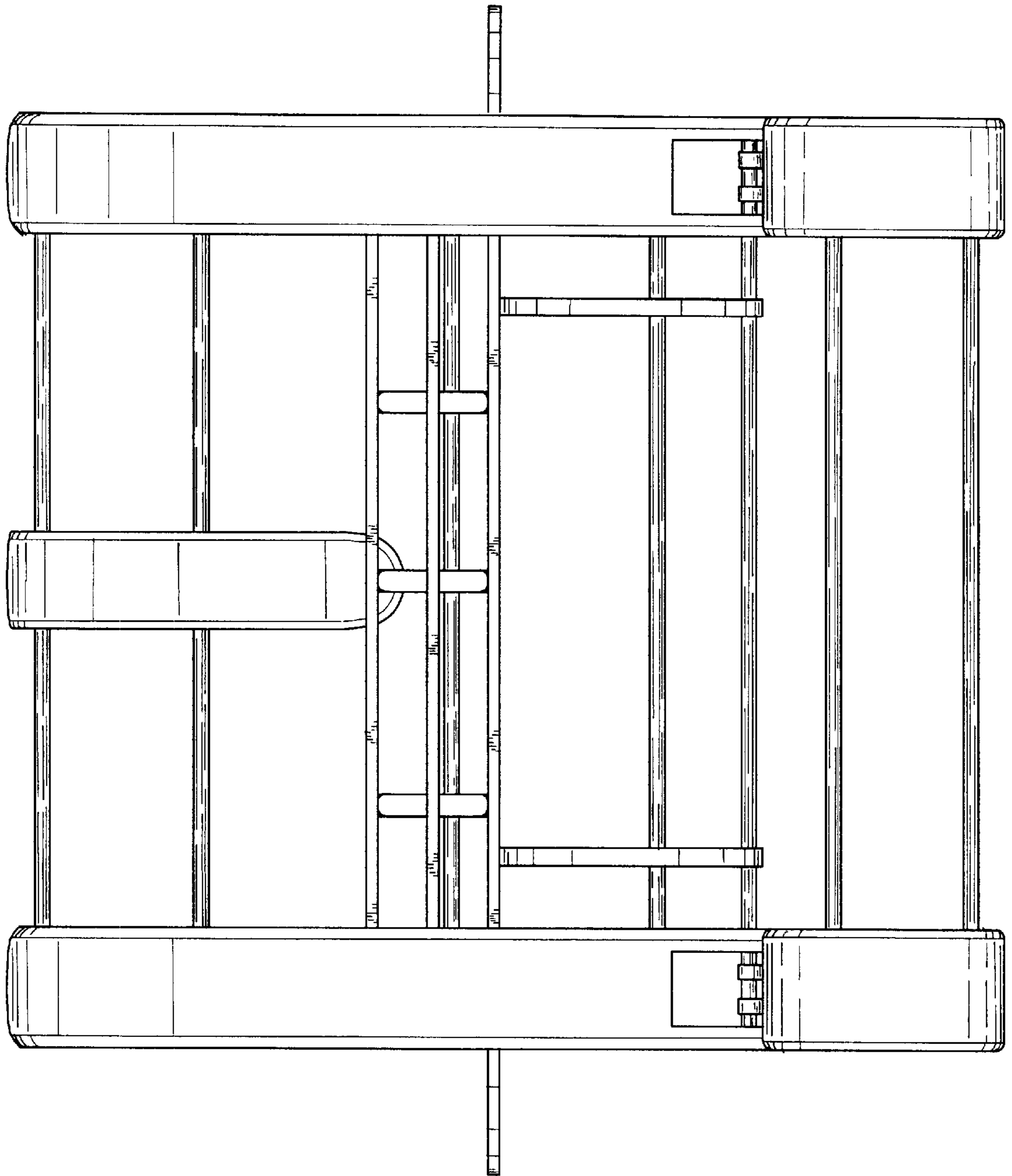


FIG. 3

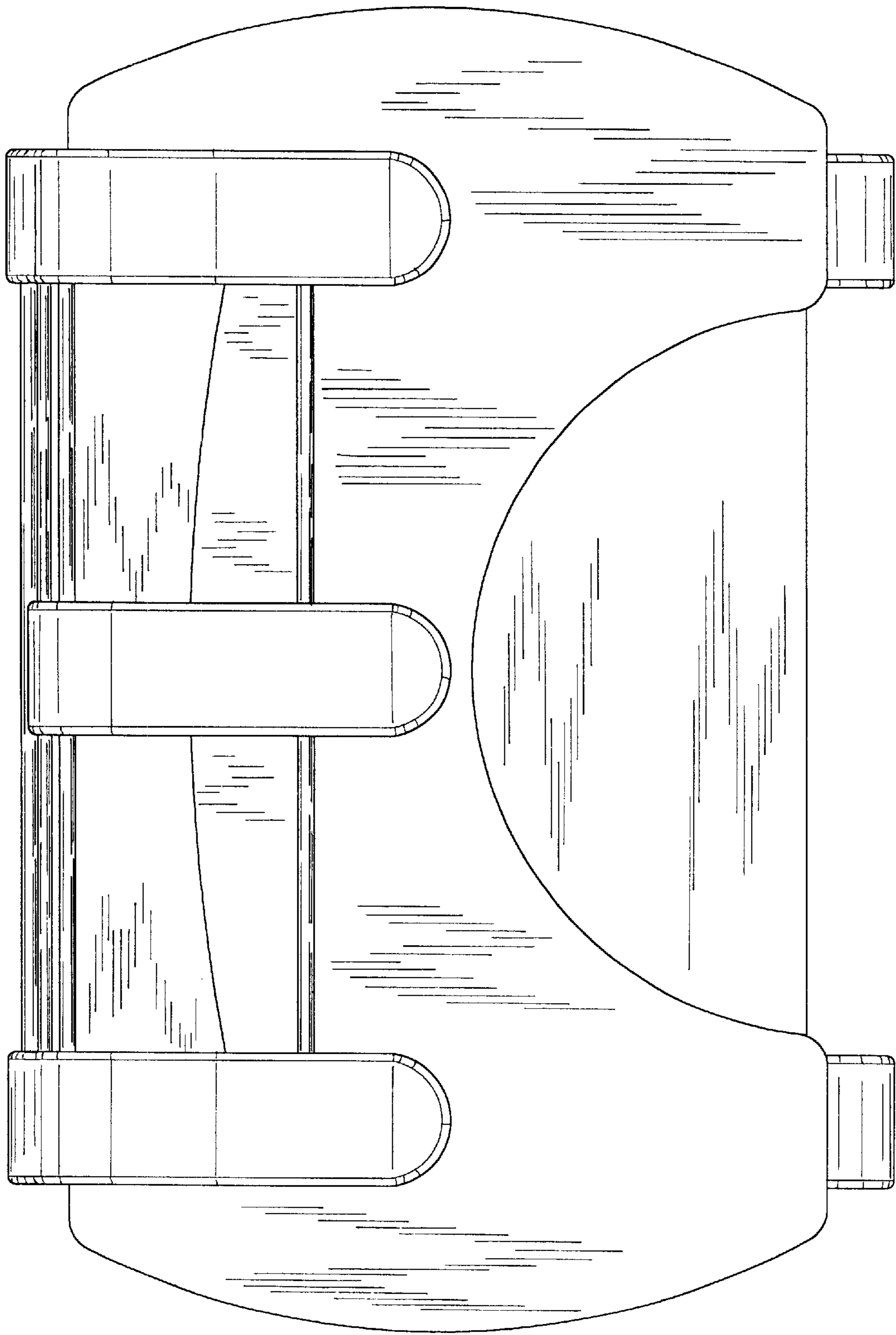


FIG. 4

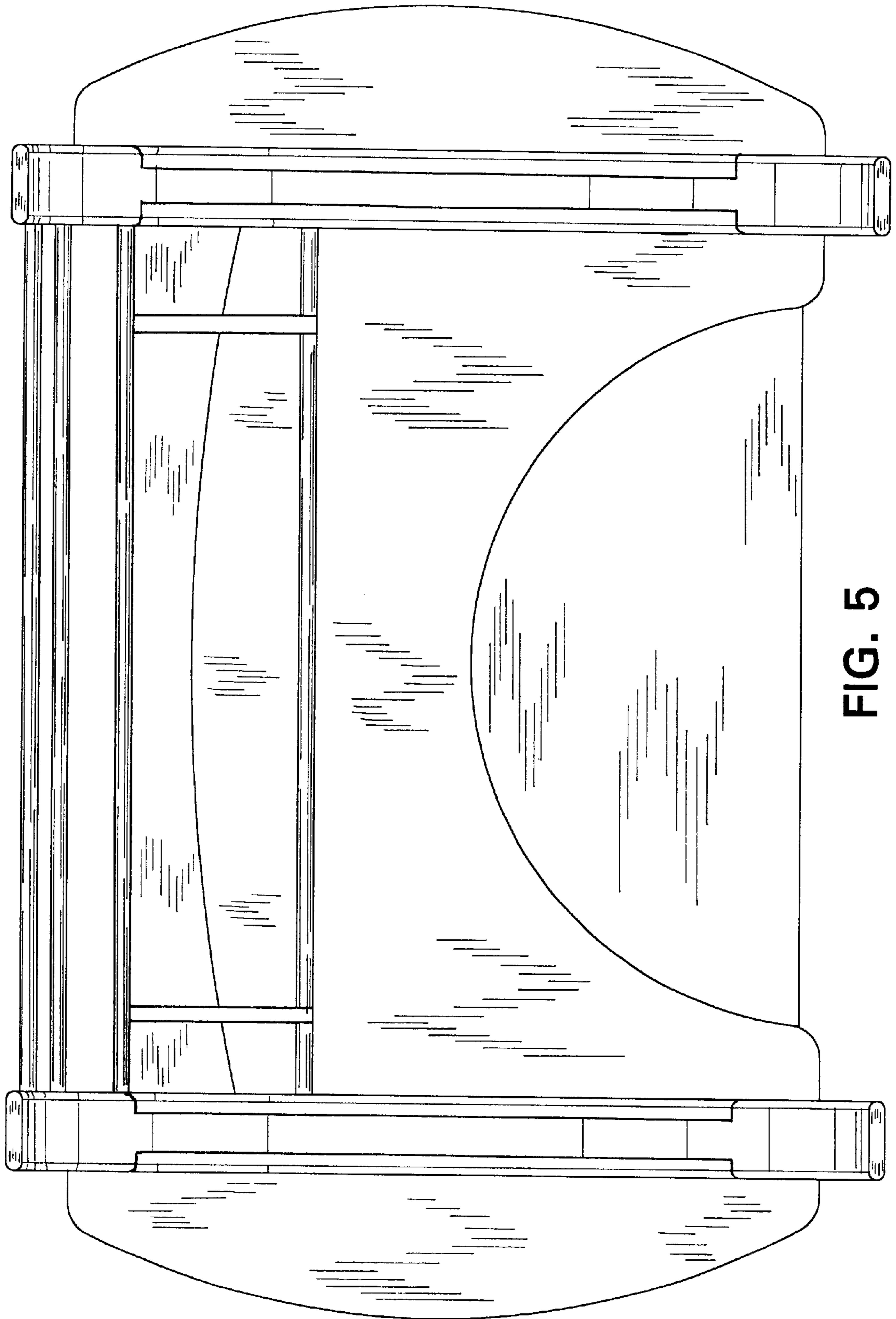


FIG. 5

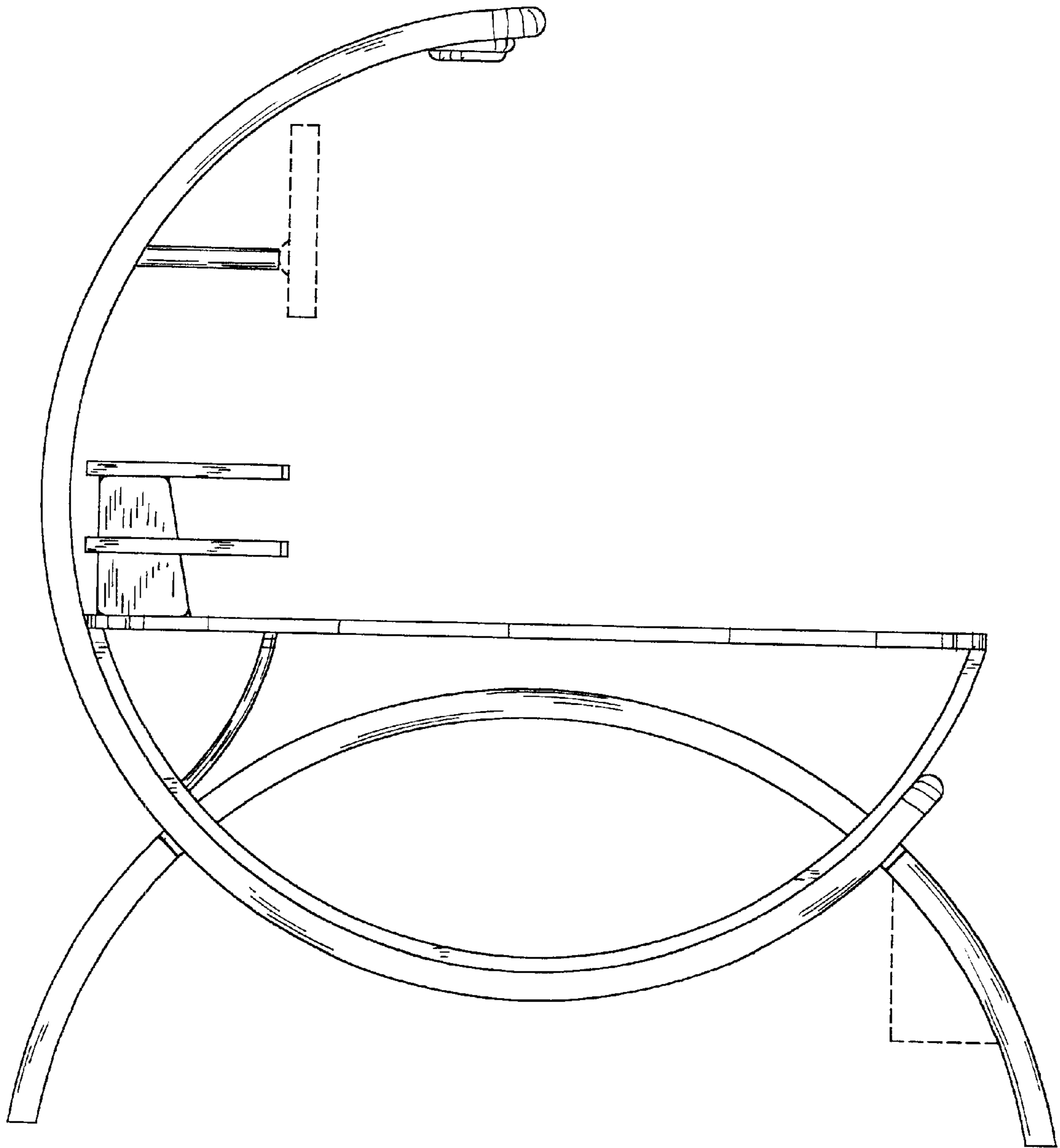


FIG. 6

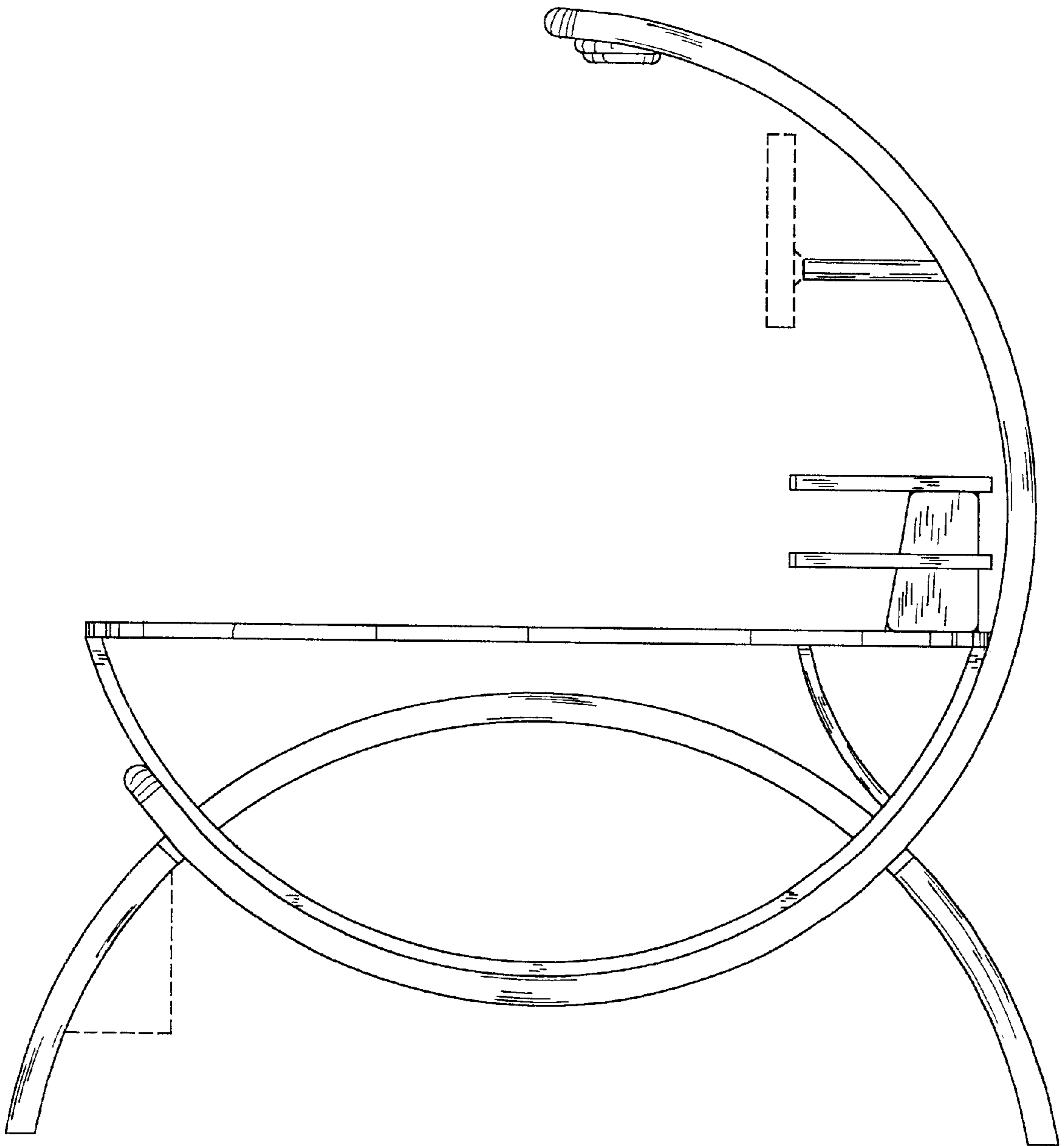


FIG. 7

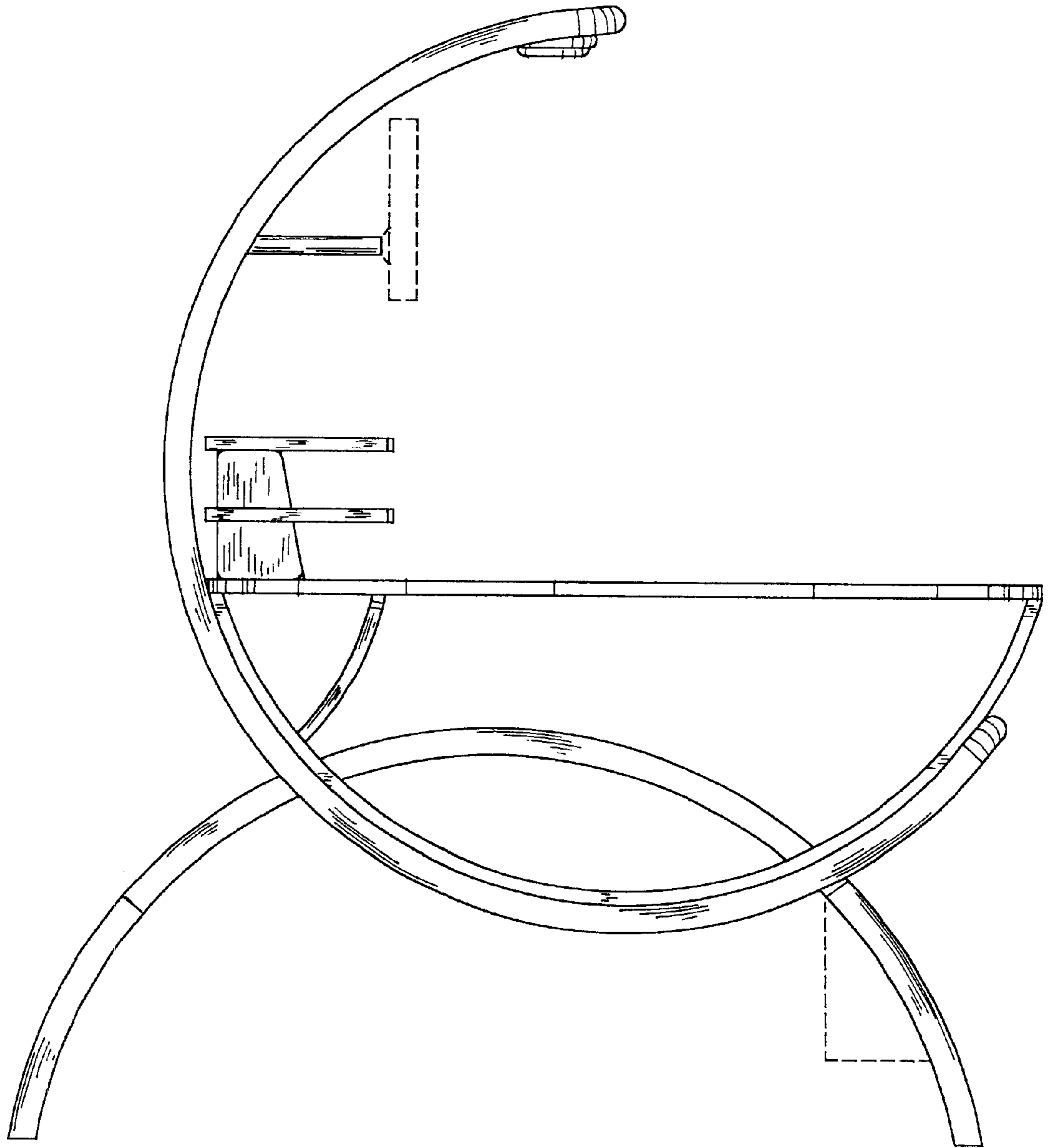


FIG. 8

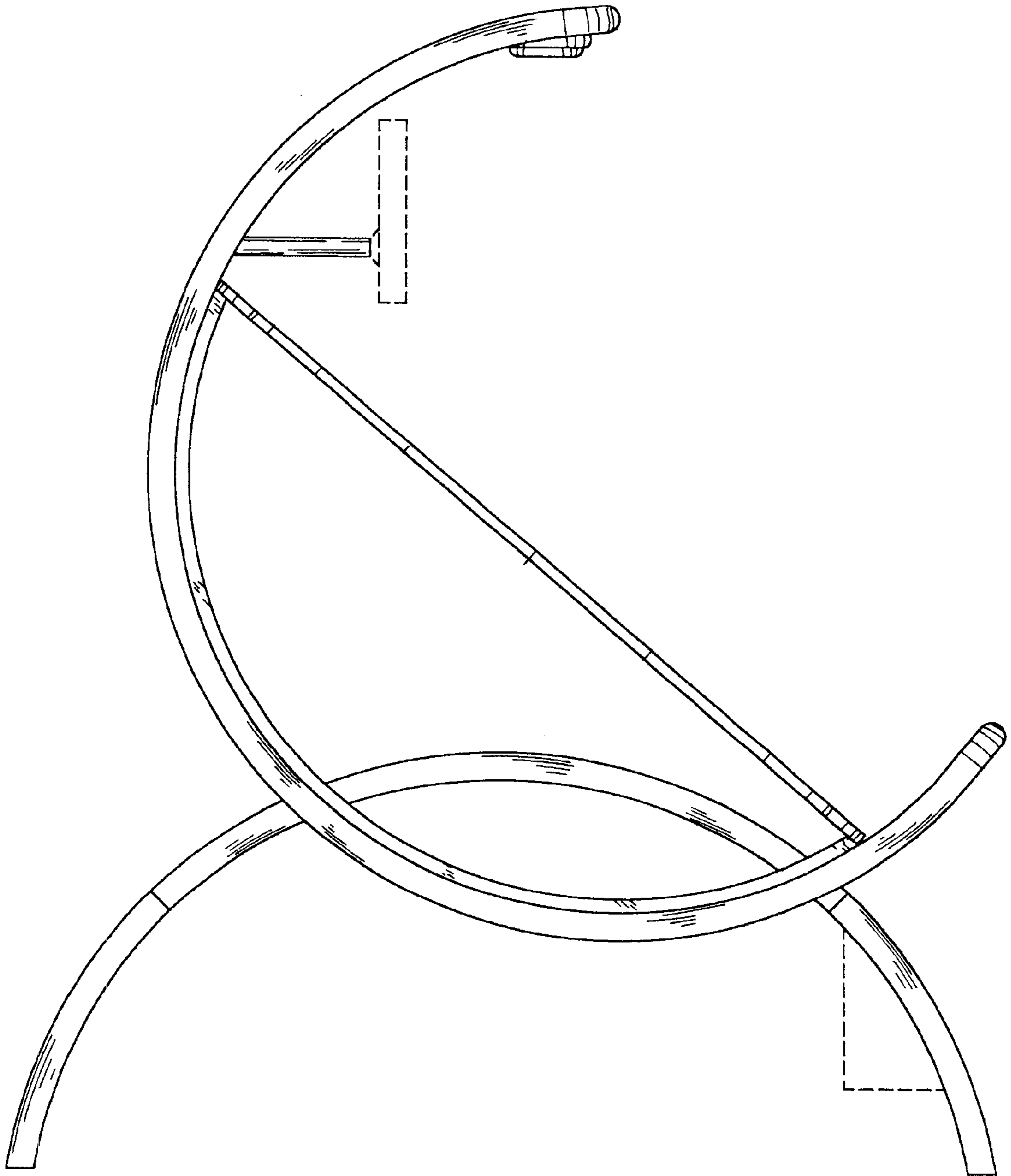


FIG. 9