



US00D472399S

(12) **United States Design Patent**
Casteel

(10) **Patent No.:** **US D472,399 S**

(45) **Date of Patent:** **** Apr. 1, 2003**

(54) **CANTILEVERED DESK**

(76) **Inventor:** **Ronald Casteel**, 1735 Hillhaven Cove Ct., Lawrenceville, GA (US) 30043

(**) **Term:** **14 Years**

(21) **Appl. No.:** **29/161,314**

(22) **Filed:** **May 28, 2002**

(51) **LOC (7) Cl.** **06-04**

(52) **U.S. Cl.** **D6/425; D6/420; D6/484**

(58) **Field of Search** D6/421-428, 419, D6/420, 484, 440; 312/194-196, 208.1, 208.4; 108/50.01, 50.02, 32, 28

(56) **References Cited**

U.S. PATENT DOCUMENTS

D107,743 S	1/1938	Buchheim	
D170,004 S	7/1953	Chapman et al.	
D176,118 S	11/1955	Hauser	
D197,653 S	3/1964	Sundberg	
3,240,170 A	* 3/1966	Shave	108/32
D215,943 S	* 11/1969	Grainer	D6/420
D251,167 S	2/1979	Isles	
4,248,161 A	2/1981	Adair et al.	
4,538,861 A	* 9/1985	Hughes, Jr.	312/244
D295,474 S	5/1988	Uredat-Neuhoff	

D306,105 S	2/1990	Newhouse	
D312,541 S	* 12/1990	Wright	D6/484
D318,768 S	8/1991	Westland et al.	
D361,218 S	8/1995	Hassel et al.	
D361,228 S	8/1995	Hassel et al.	
D374,787 S	* 10/1996	Stoddard et al.	D6/484
D376,931 S	12/1996	Fewchuk	
D400,729 S	11/1998	Stanford	

* cited by examiner

Primary Examiner—Janice E. Seeger

(74) *Attorney, Agent, or Firm*—Hinkle & O’Bradovich, LLC

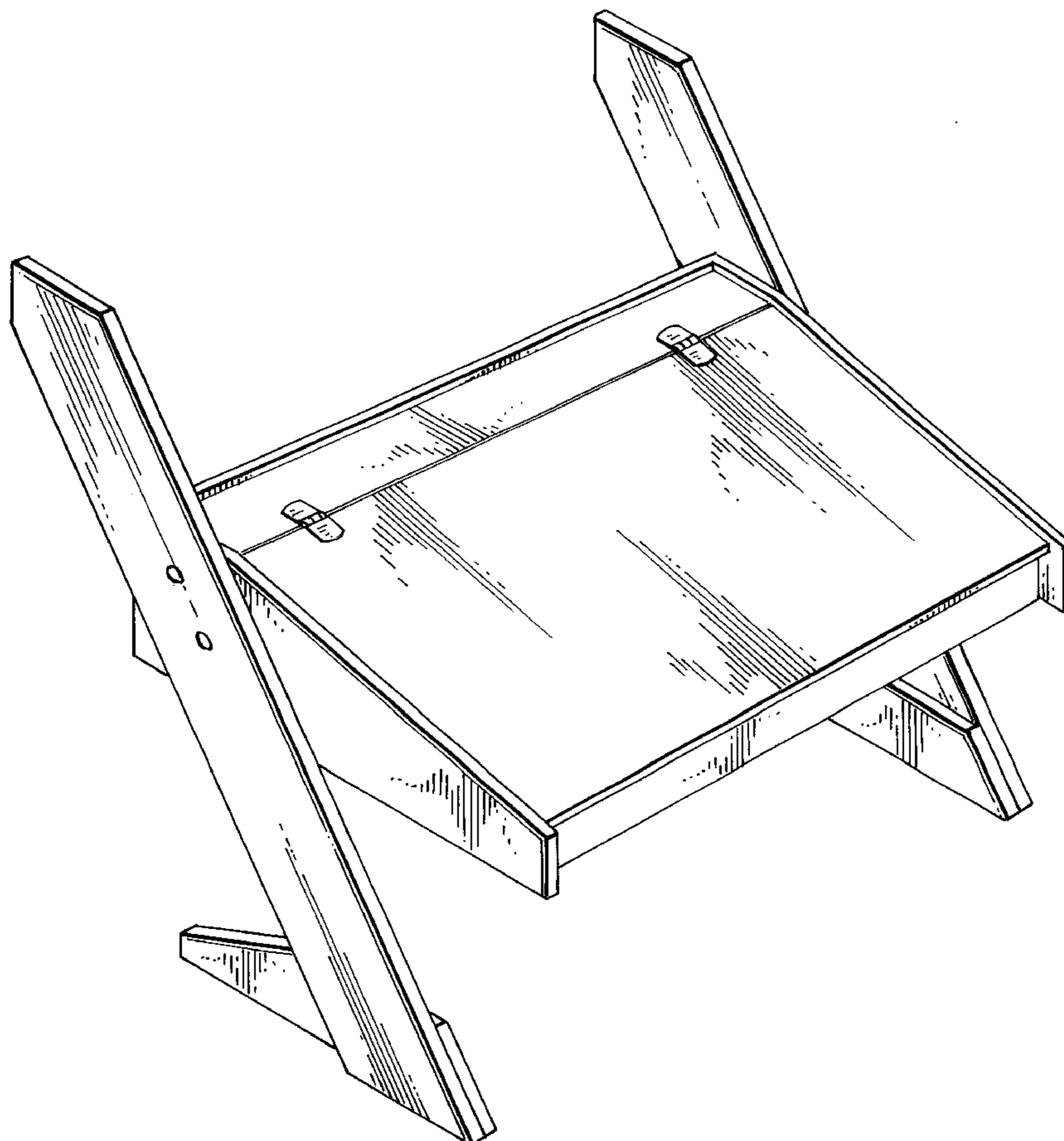
(57) **CLAIM**

The ornamental design for a cantilevered desk, as shown and described.

DESCRIPTION

FIG. 1 is an overall top perspective view of a cantilevered desk showing my new design; FIG. 2 is a top plan view; FIG. 3 is a front elevation view; FIG. 4 is a right side elevation view; FIG. 5 is a left side elevation view; FIG. 6 is a rear elevation view; and, FIG. 7 is a bottom plan view.

1 Claim, 4 Drawing Sheets



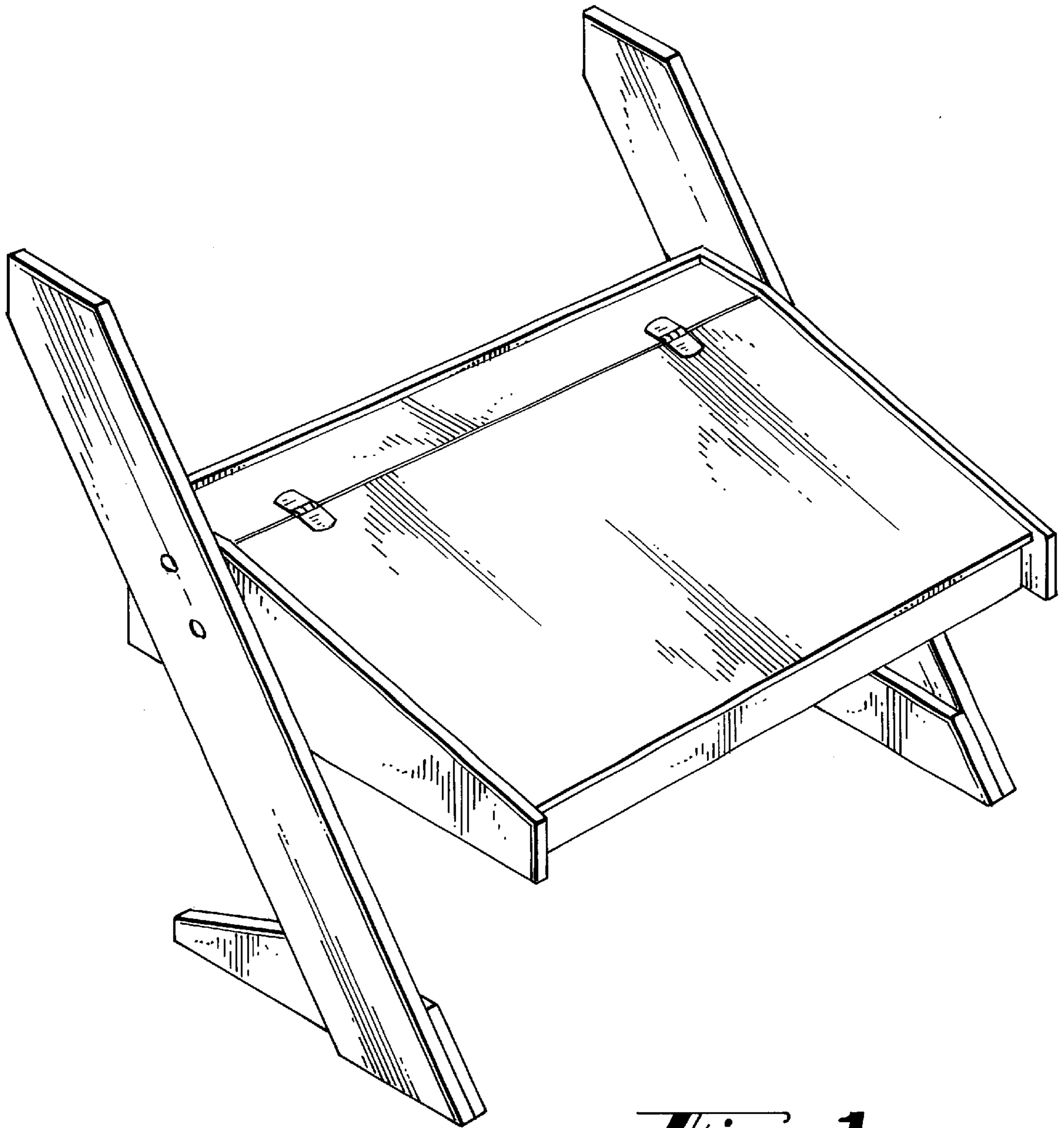


Fig. 1

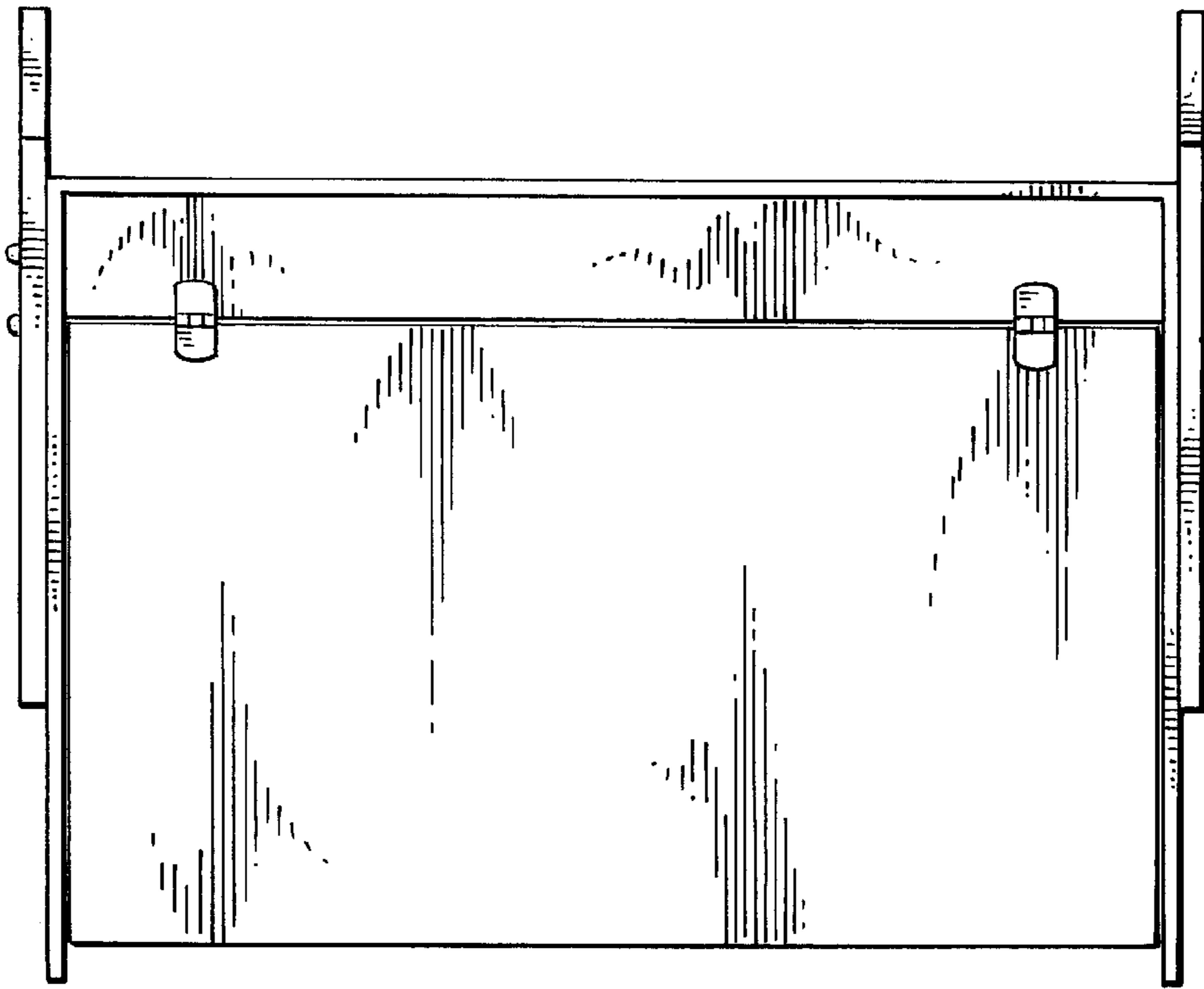


Fig. 2

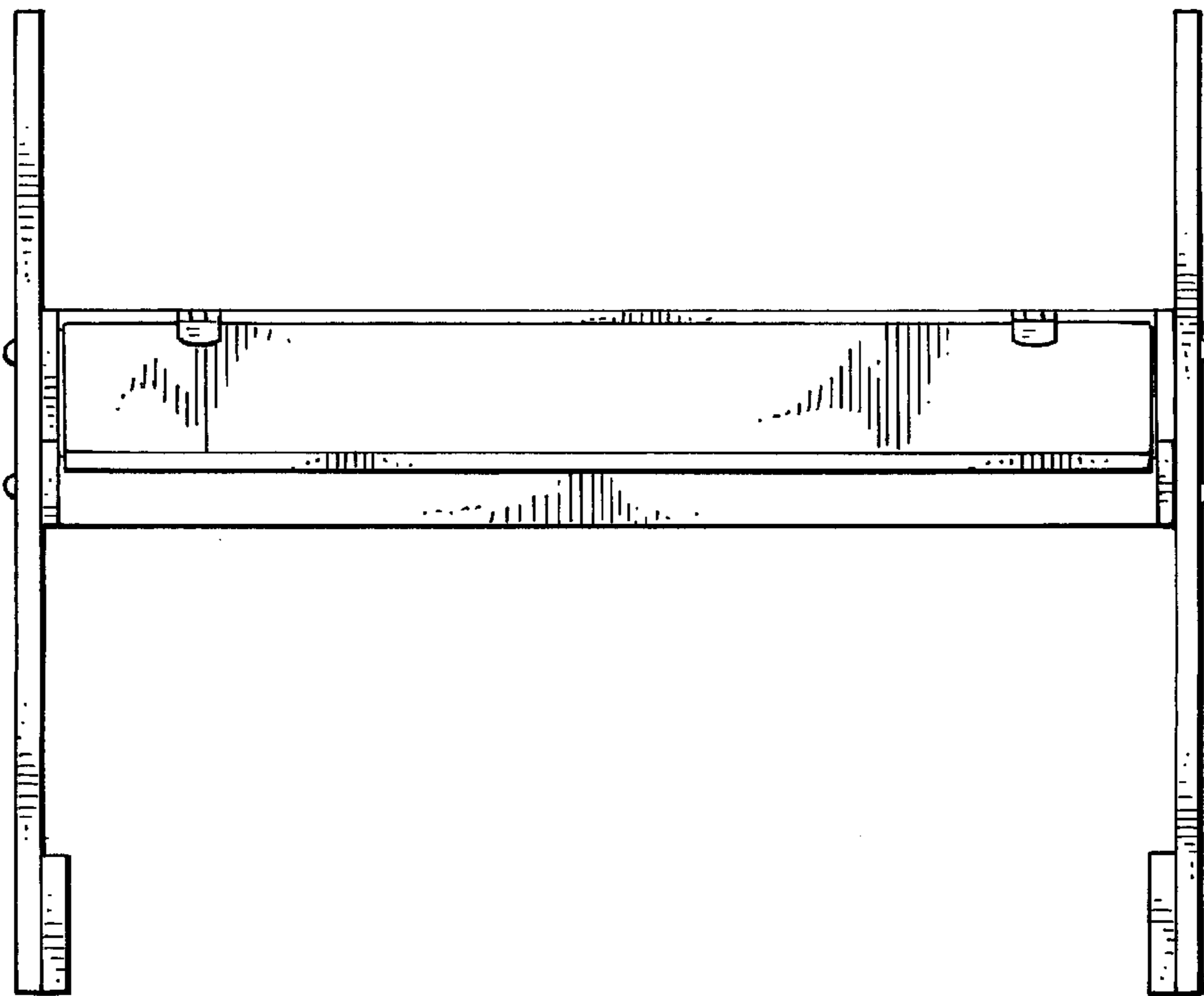
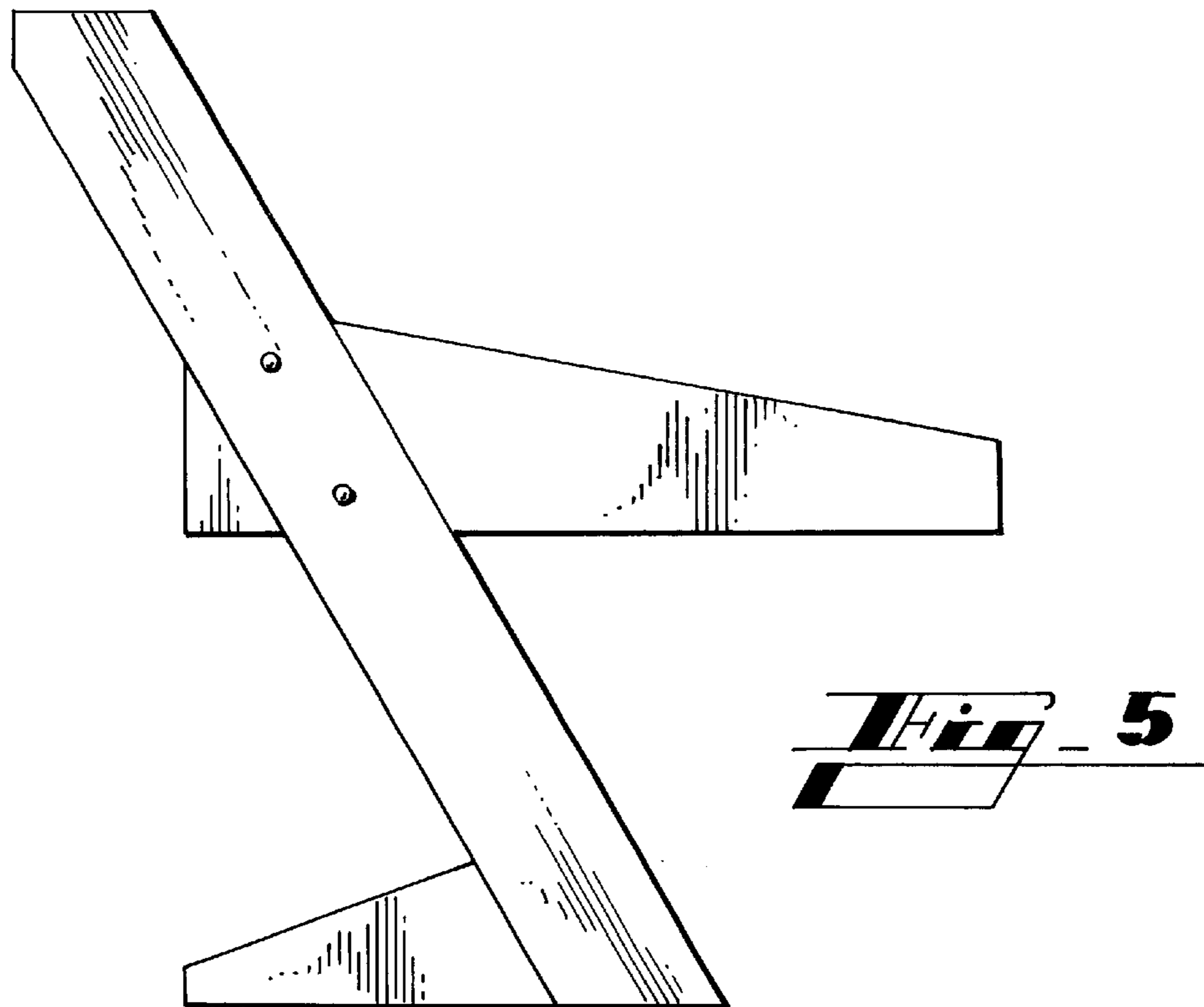
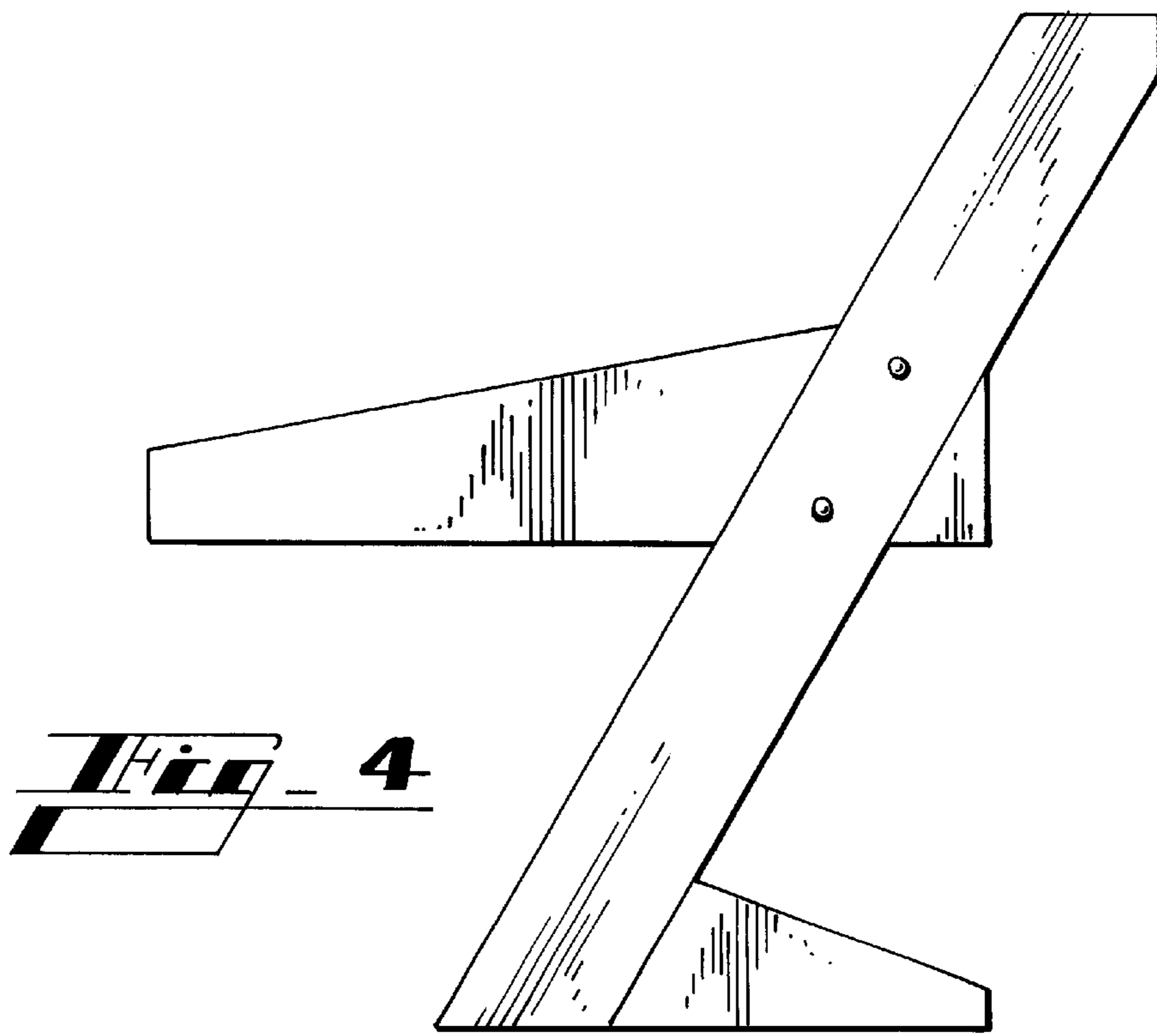


Fig. 3



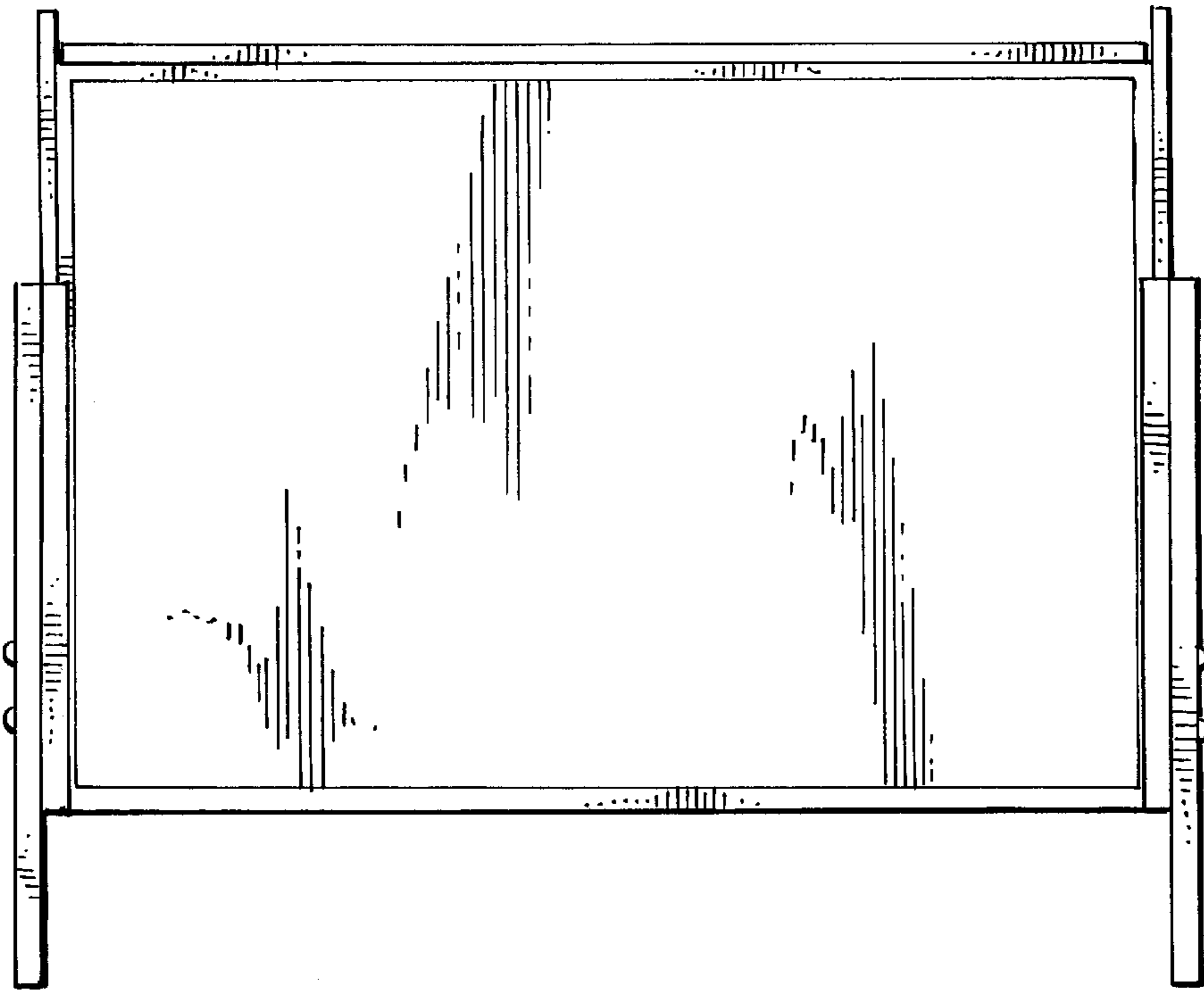


Fig. 7

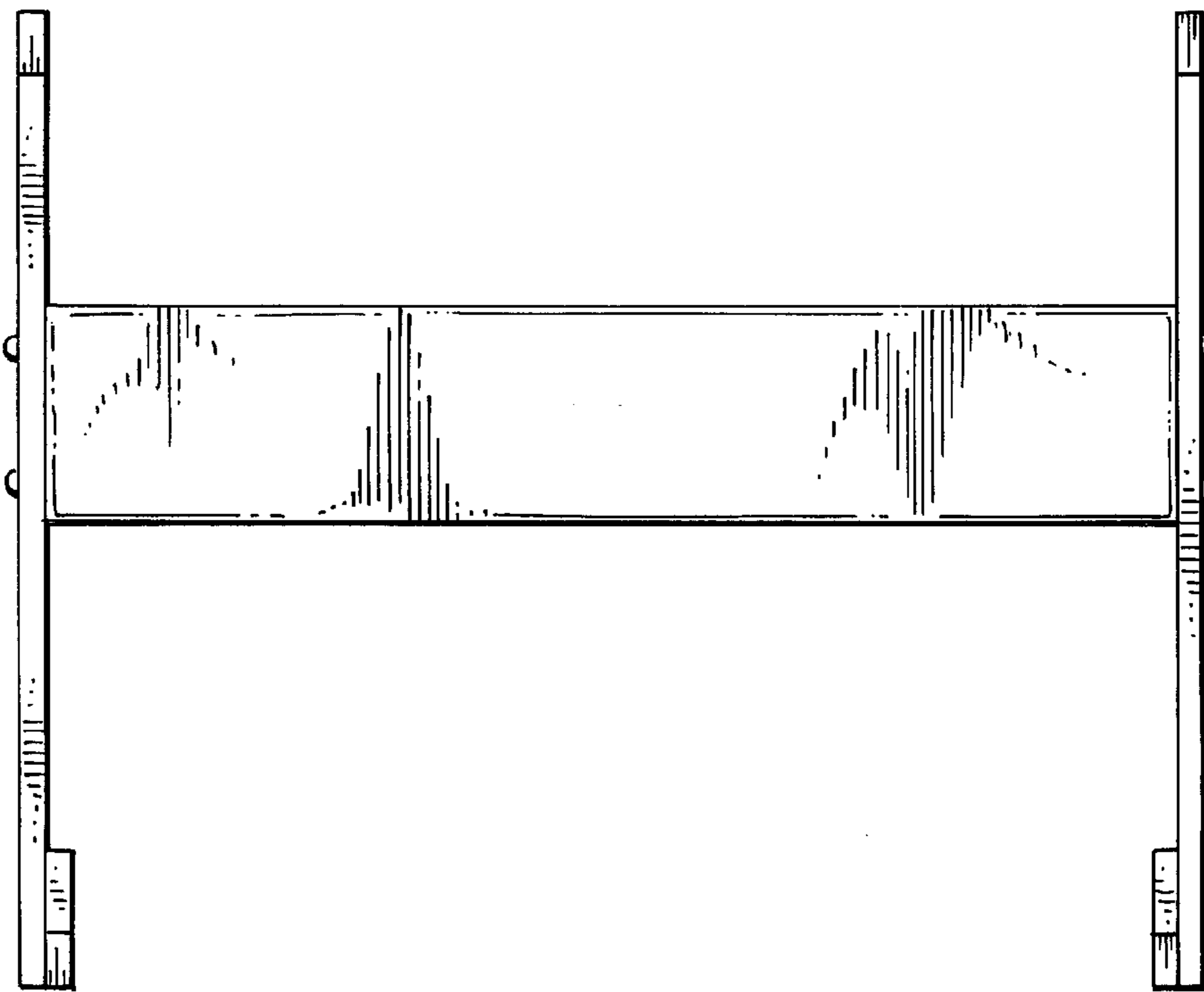


Fig. 6