



US00D472395S

(12) **United States Design Patent**
Wills et al.

(10) **Patent No.:** **US D472,395 S**

(45) **Date of Patent:** **** Apr. 1, 2003**

(54) **SEATING DEVICE WITH SIGNAGE FOR ATHLETIC EVENTS**

(76) Inventors: **Robert A. Wills**, 6234 Tennison Way, Indianapolis, IN (US) 46236; **Robert C. Scherer**, 1929 Valley Dr., Indianapolis, IN (US) 46280

(**) **Term:** **14 Years**

(21) **Appl. No.:** **29/156,794**

(22) **Filed:** **Mar. 7, 2002**

Related U.S. Application Data

(63) Continuation of application No. 10/020,679, filed on Dec. 12, 2001.

(51) **LOC (7) Cl.** **06-01**

(52) **U.S. Cl.** **D6/336**

(58) **Field of Search** D6/334, 335, 336, D6/338, 367, 368, 432, 434, 440, 451, 500-502; 40/375; 297/118, 118.01, 188.04, 188.08, 188.09, 188.1, 217.1, 217.3, 217.6, 232; 108/37, 38, 39, 116

(56) **References Cited**

U.S. PATENT DOCUMENTS

D32,043 S	*	12/1899	Kingsbery	D6/336
791,716 A	*	6/1905	Owen	297/118
907,311 A	*	12/1908	Bowdon	297/118
1,639,085 A	*	8/1927	Fohey	297/188.04
D161,172 S	*	12/1950	Greene	D6/338

2,711,786 A	*	6/1955	Weiss	297/232
2,720,659 A	*	10/1955	Brown	297/118
D204,401 S	*	4/1966	McCartney	D6/440
D280,870 S	*	10/1985	Eisen	D6/338
4,717,202 A	*	1/1988	Batchelder, III	297/188.04
			et al.	297/188.04
D321,613 S	*	11/1991	Gandy	D6/440
5,458,395 A	*	10/1995	Skarda, Jr.	297/188.1
D381,223 S	*	7/1997	Bruner et al.	D6/440
D398,648 S	*	9/1998	Mathews	D6/440
D419,797 S	*	2/2000	Pelletier	D6/451
D436,459 S	*	1/2001	Watson et al.	D6/381

* cited by examiner

Primary Examiner—Doris V. Coles

Assistant Examiner—Mimosa De

(74) *Attorney, Agent, or Firm*—Wood, Emhardt, Naughton, Moriarty & McNett LLP

(57) **CLAIM**

The ornamental design for seating device with signage for athletic events, as shown and described.

DESCRIPTION

FIG. 1 is a front view of a seating device showing our new design.

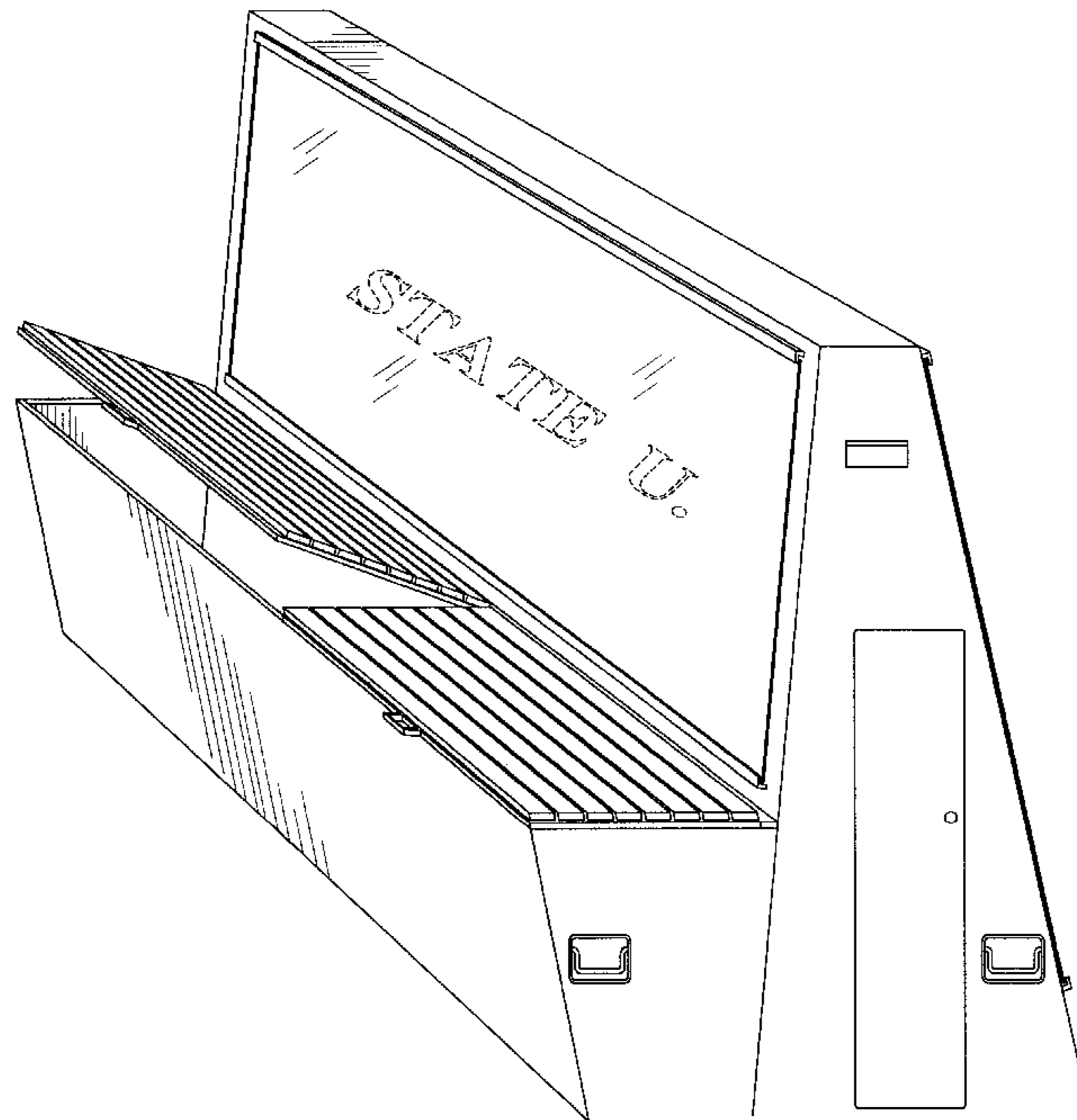
FIG. 2 is a rear view thereof.

FIG. 3 is a side view thereof; and,

FIG. 4 is a perspective view thereof.

The broken lines showing letters on the backrest panel in FIGS. 1, 2 and 4 are for illustrative purposes only and form no part of the claimed design.

1 Claim, 3 Drawing Sheets



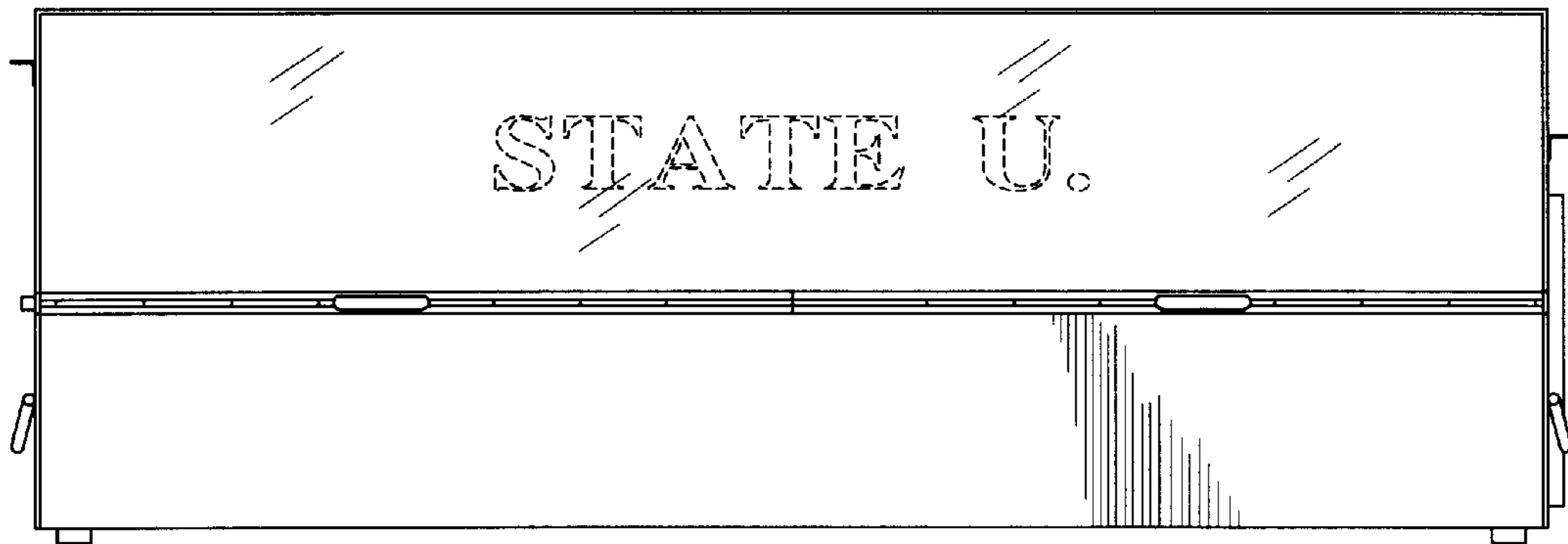


Fig. 1

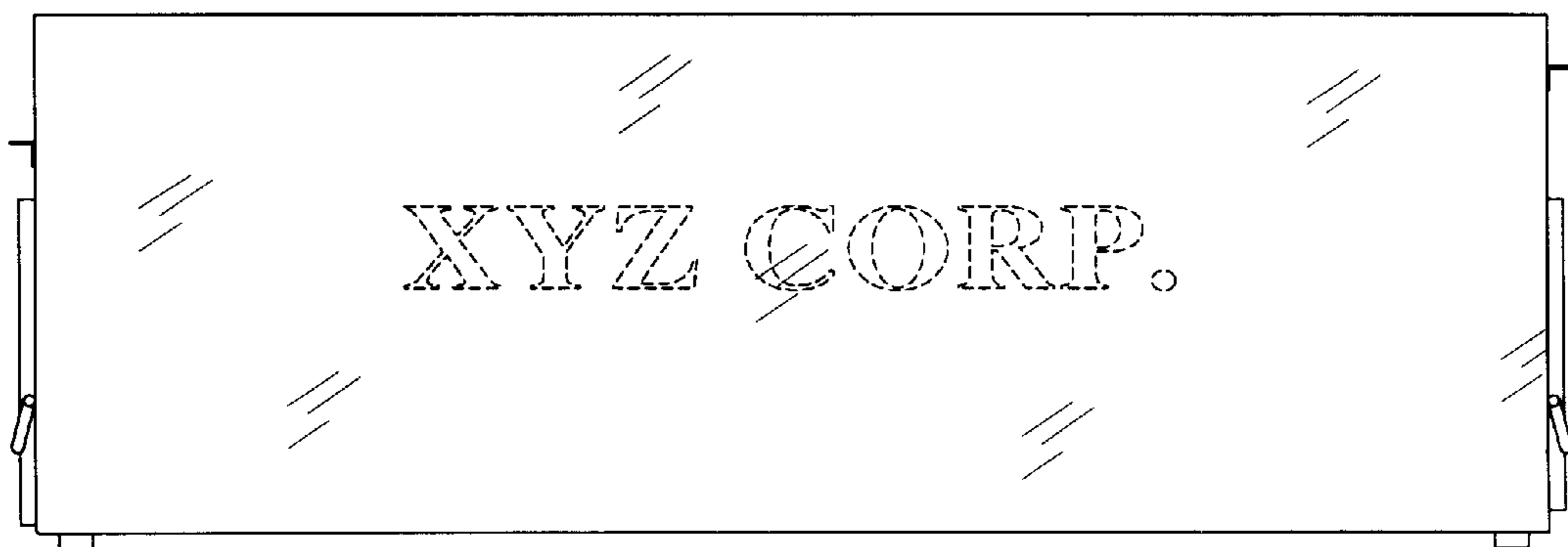


Fig. 2

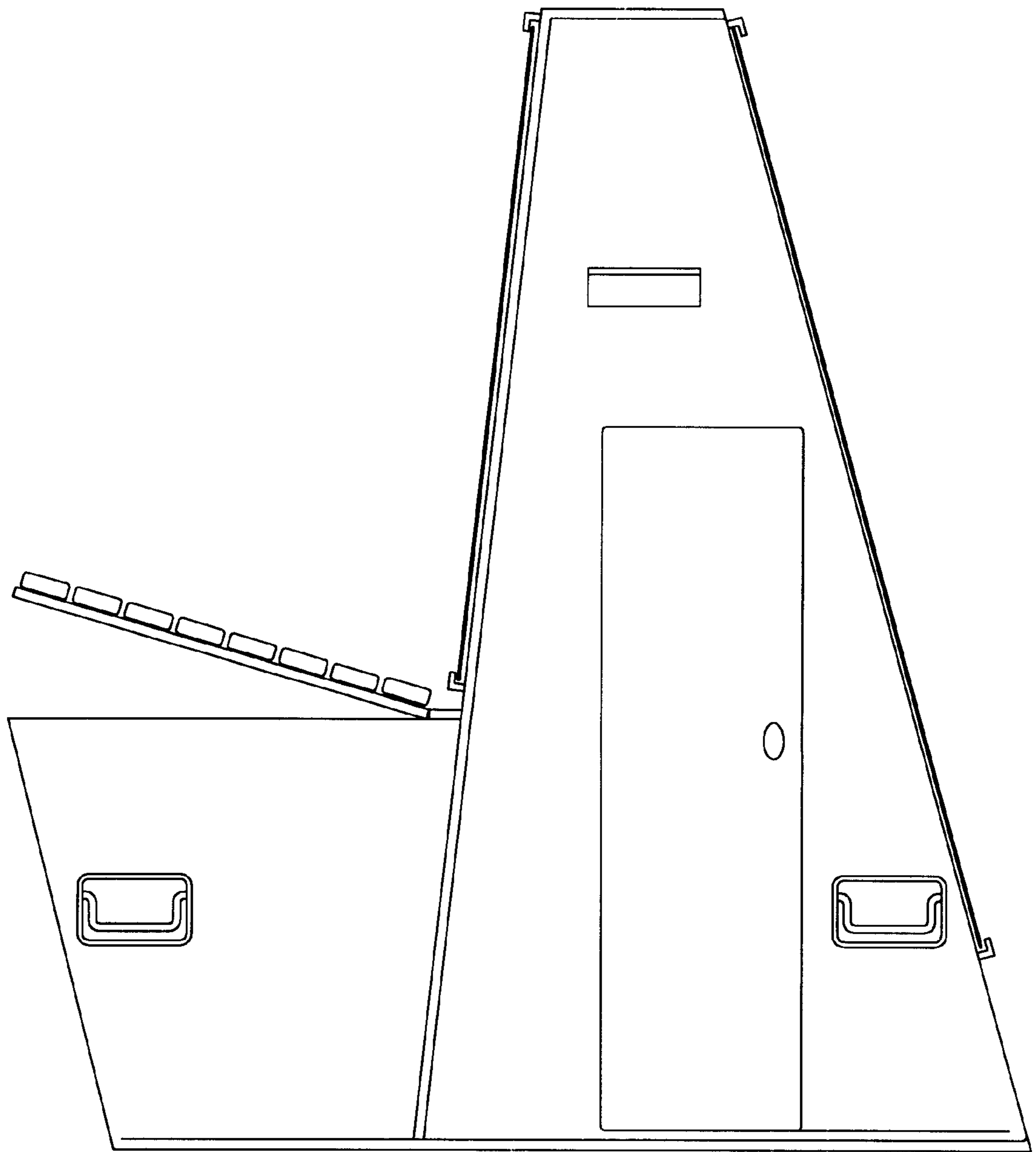


Fig. 3

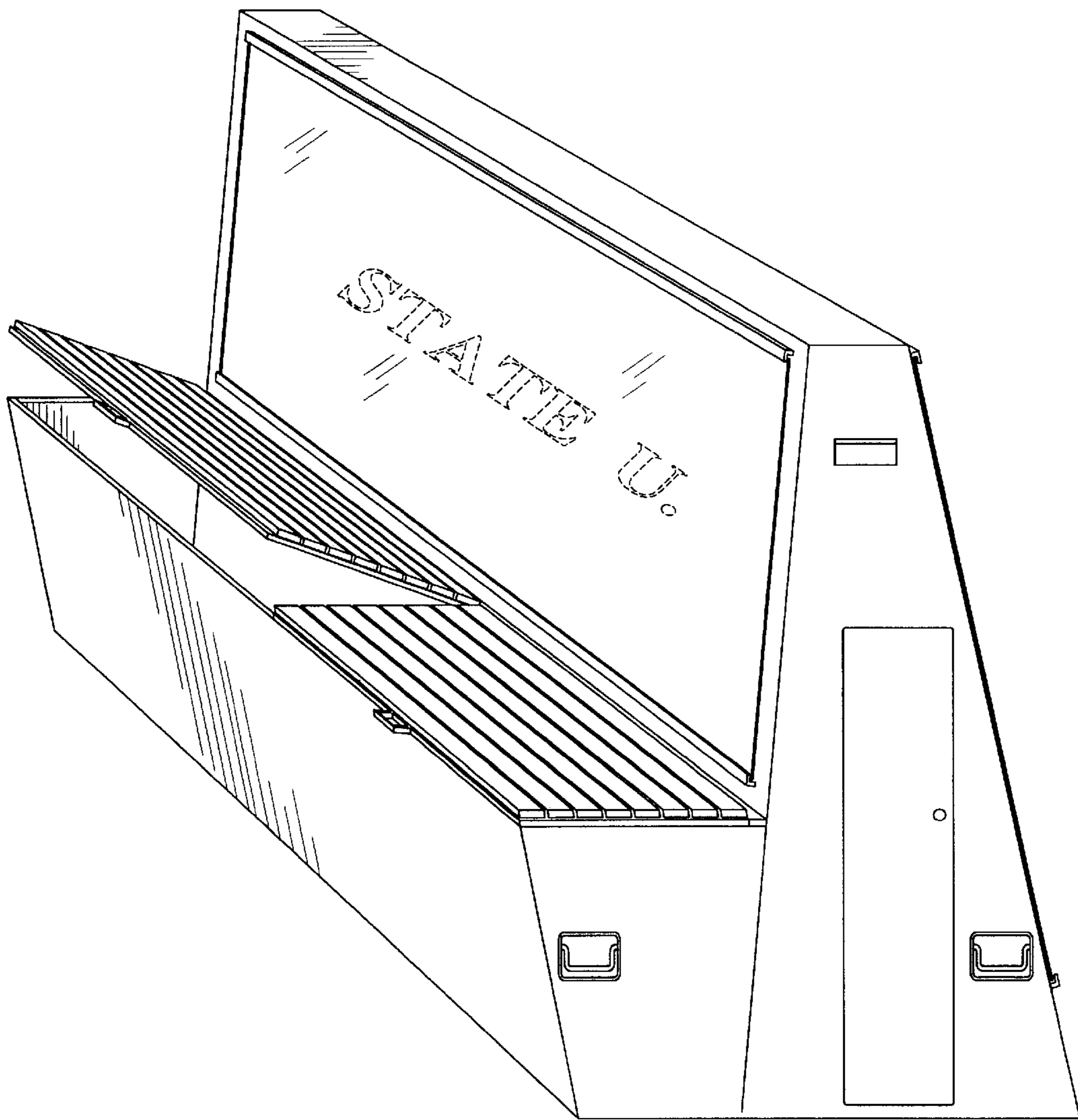


Fig. 4