



US00D472393S

(12) **United States Design Patent**  
**Louw**

(10) **Patent No.:** **US D472,393 S**

(45) **Date of Patent:** **\*\* Apr. 1, 2003**

(54) **CO-ORDINATE LOOP**

(76) Inventor: **John Henry Louw**, Dreyersdal Road,  
Bergvliet 7800 (ZA)

(\*\*) Term: **14 Years**

(21) Appl. No.: **29/137,124**

(22) Filed: **Feb. 12, 2001**

(51) **LOC (7) Cl.** ..... **06-08**

(52) **U.S. Cl.** ..... **D6/328**

(58) **Field of Search** ..... D6/315, 318, 328;  
223/85, 88, 92

(56) **References Cited**

**U.S. PATENT DOCUMENTS**

2,498,400 A	2/1950	DuLude	223/88
2,940,650 A	6/1960	Hirata	223/96
3,952,985 A	4/1976	Davenport	248/317
4,054,234 A	10/1977	Thomas	223/91
4,284,219 A	8/1981	Standel, Jr.	294/152
4,416,401 A	11/1983	King	223/88
D275,539 S	9/1984	Mainetti	D6/319
D276,865 S	12/1984	Arnold	D6/328
D276,866 S	12/1984	Arnold	D6/328
D276,867 S	12/1984	Arnold	D6/257
D276,868 S	12/1984	Arnold	D6/328
D276,967 S	1/1985	Arnold et al.	D6/327
4,638,930 A	1/1987	Blanchard	223/85
4,653,678 A	3/1987	Blanchard et al.	223/85
D302,078 S	7/1989	De Wet	D6/319
4,871,098 A	10/1989	Bredeweg et al.	223/85

5,029,739 A	7/1991	Blanchard et al.	223/88
5,074,445 A	12/1991	Chen	223/85
5,074,446 A	12/1991	Suddath	223/92
5,499,789 A	3/1996	Rose	248/489
5,526,968 A	6/1996	Larson	223/88
D394,753 S	6/1998	Zuckerman	D6/328
5,803,321 A	9/1998	Willinger et al.	223/88
6,070,772 A	6/2000	Bond	223/85
6,089,423 A	7/2000	Ellzey et al.	223/85
6,105,834 A	8/2000	Cohen	223/88

*Primary Examiner*—B. J. Bullock

(74) *Attorney, Agent, or Firm*—Ostrolenk, Faber, Gerb & Soffen, LLP

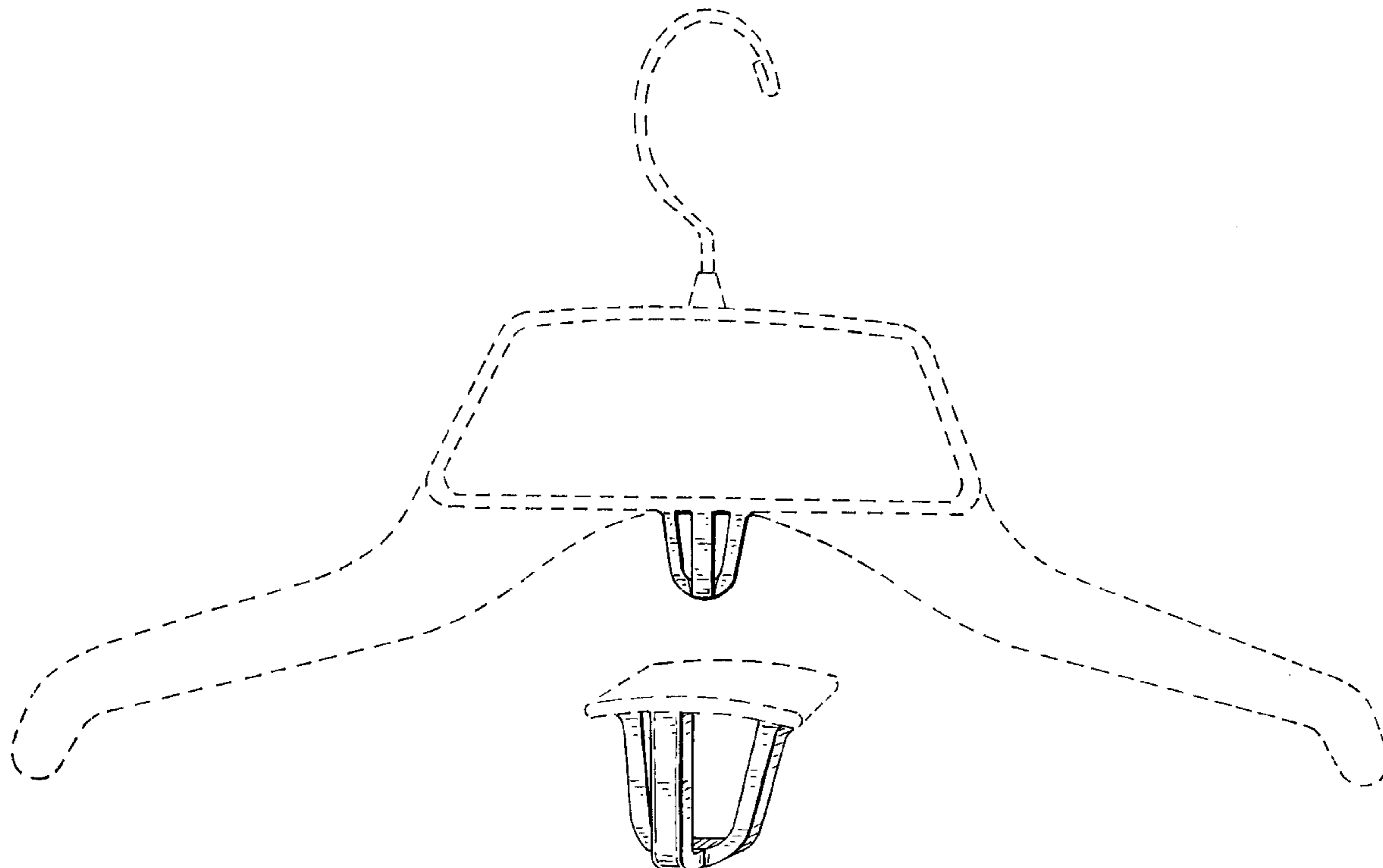
(57) **CLAIM**

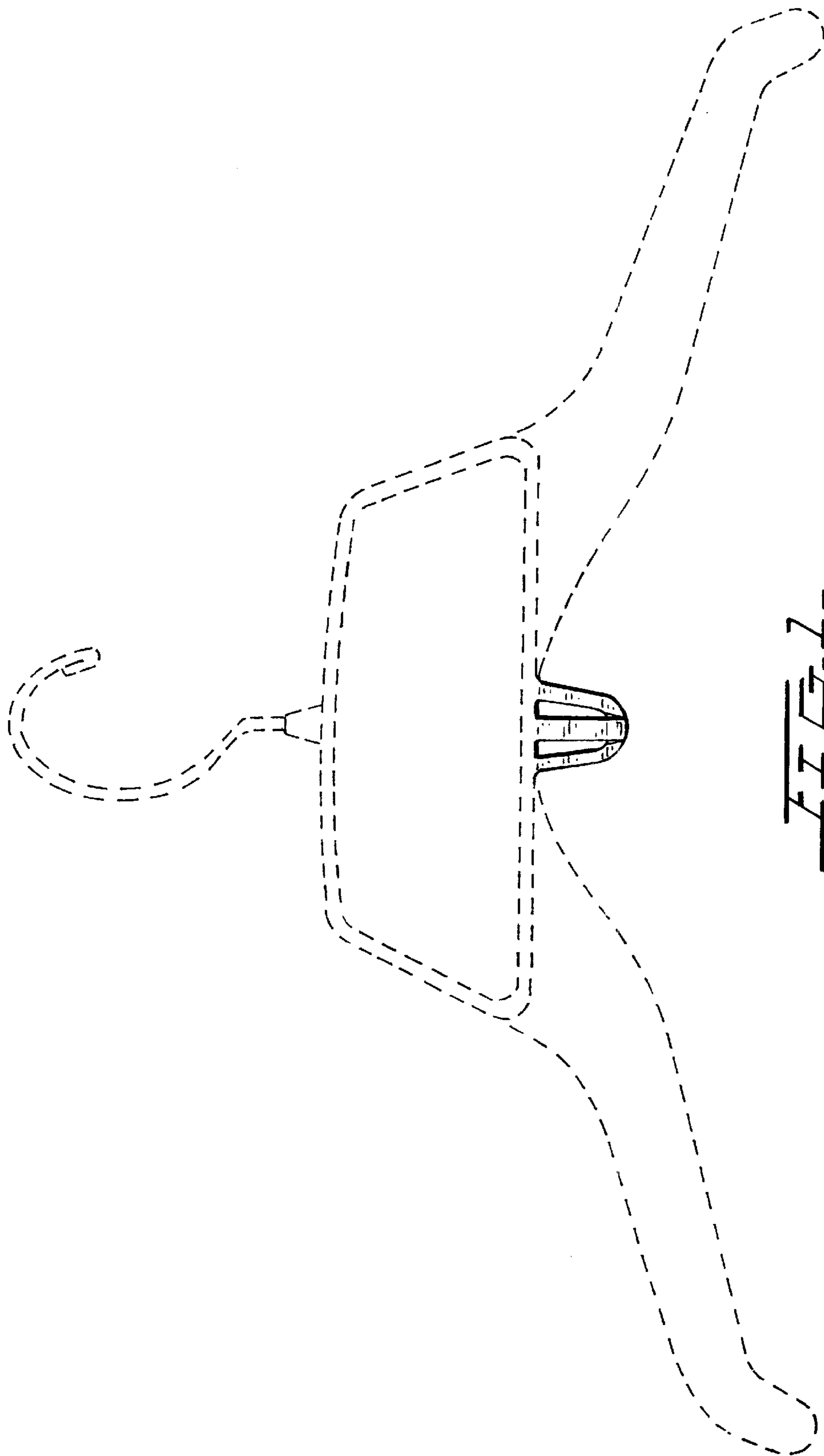
The ornamental design for a co-ordinate loop, as shown and described.

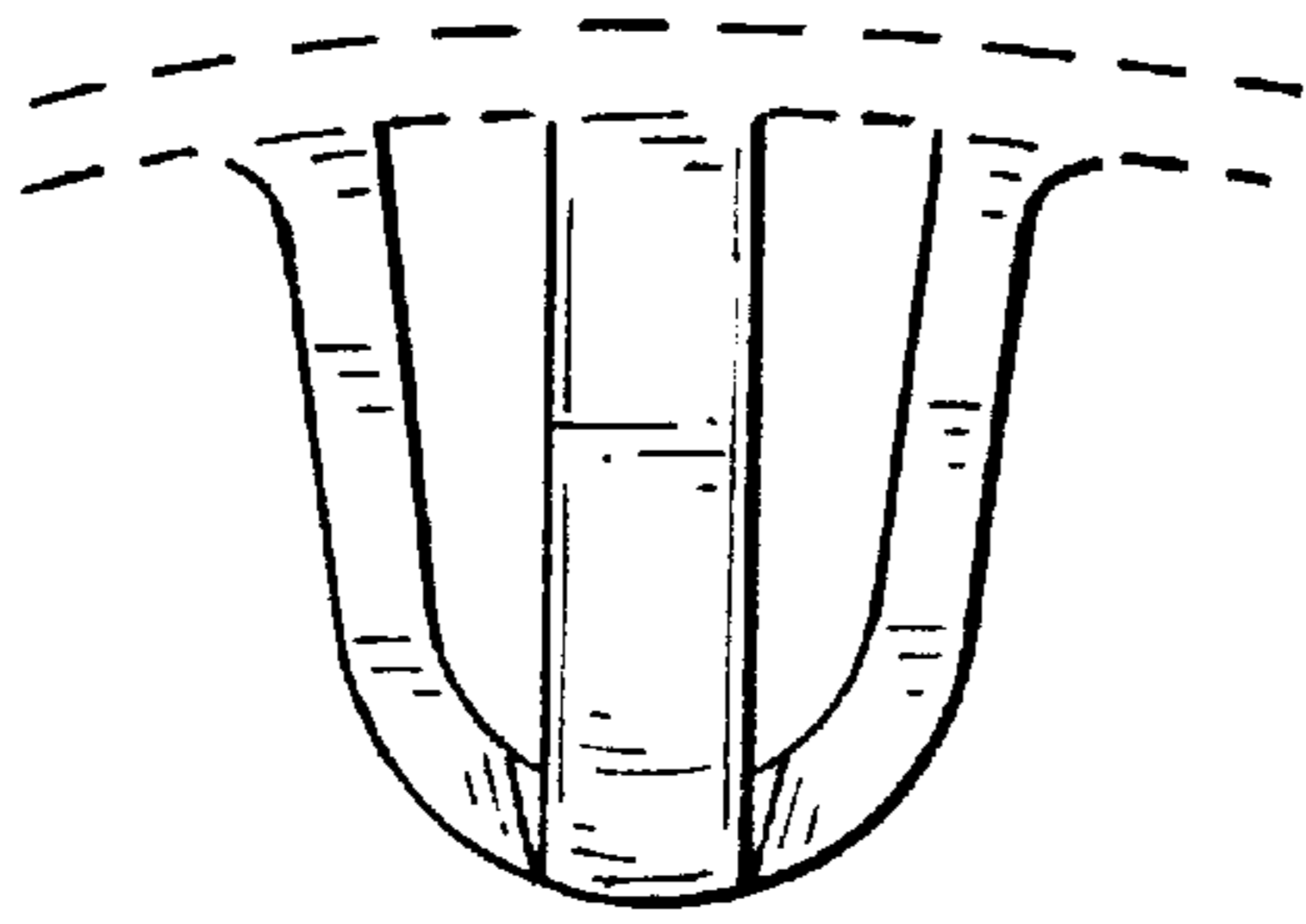
**DESCRIPTION**

FIG. 1 is a front elevation view of a co-ordinate loop showing my design;  
FIG. 2 is an enlarged front elevation view thereof;  
FIG. 3 is a right side view thereof, the left side being a mirror image;  
FIG. 4 is a bottom plan view thereof;  
FIG. 5 is a back view thereof; and,  
FIG. 6 is a perspective view thereof.  
The broken line showing of the hanger in FIGS. 1–6 are for illustrative purposes only and form no part of the claimed design.

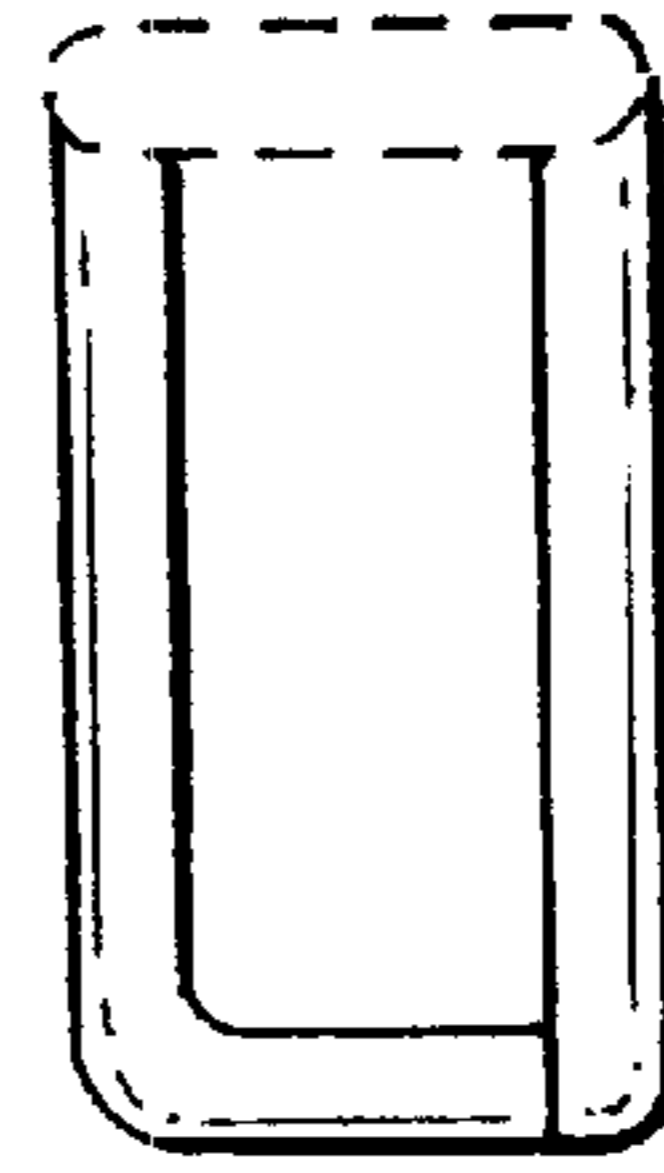
**1 Claim, 2 Drawing Sheets**



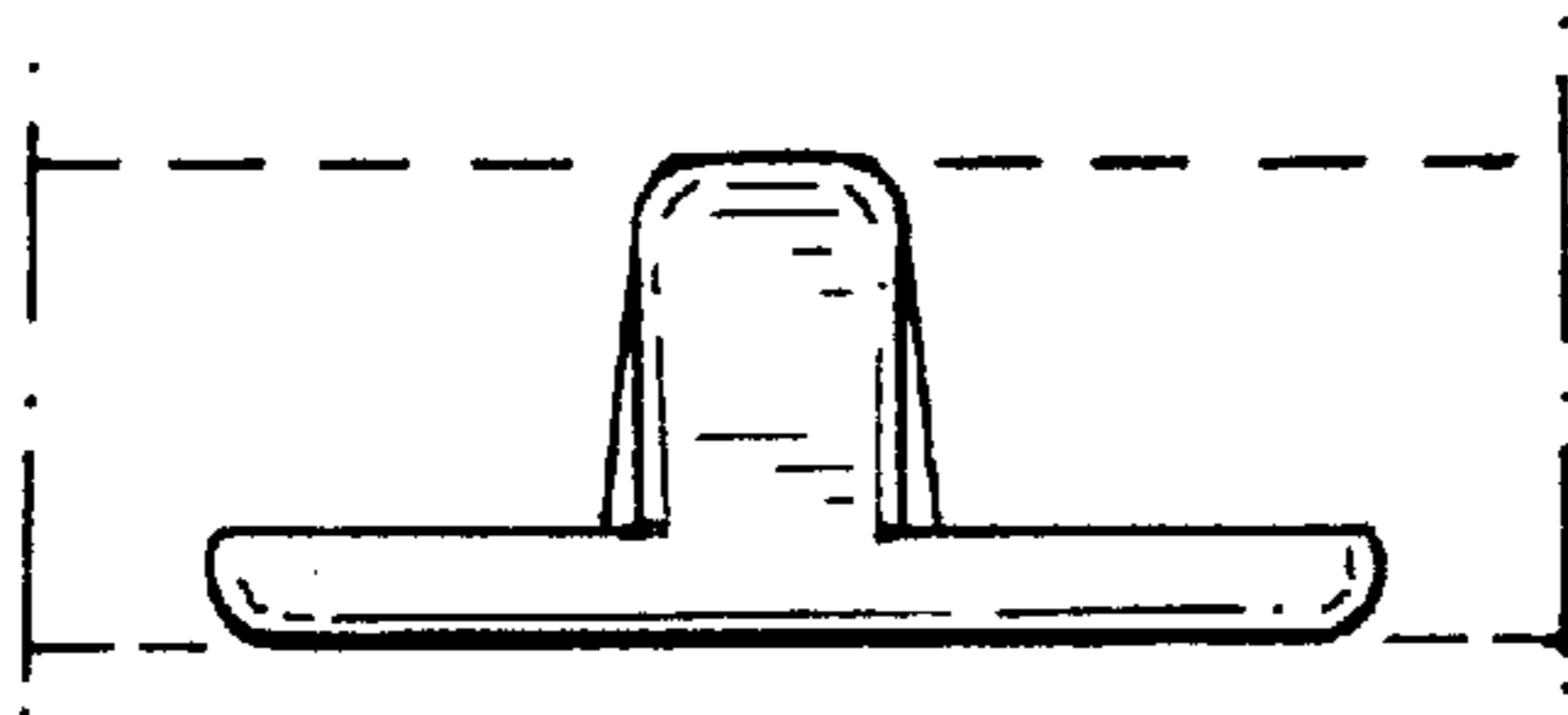




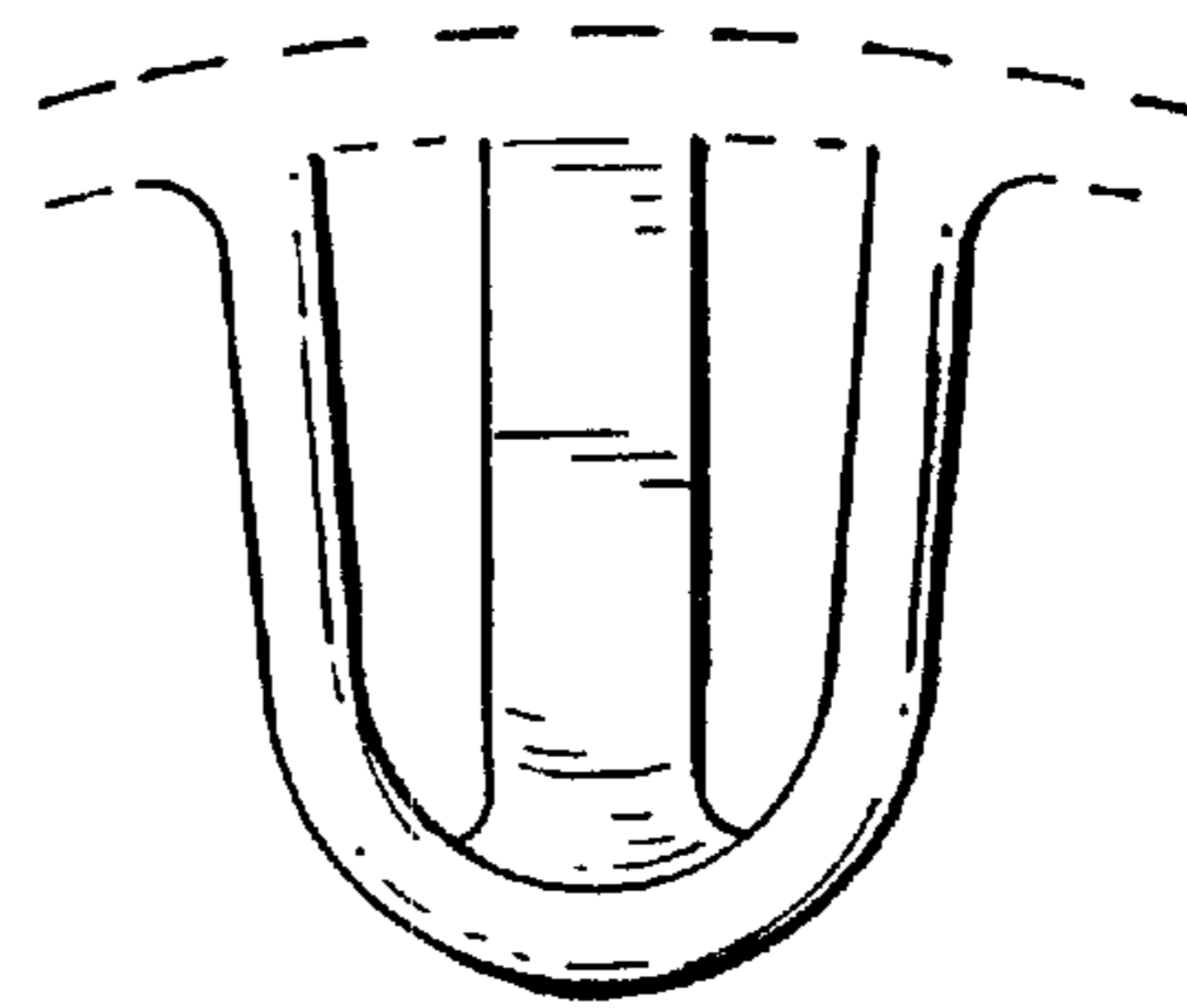
*FIG. 2.*



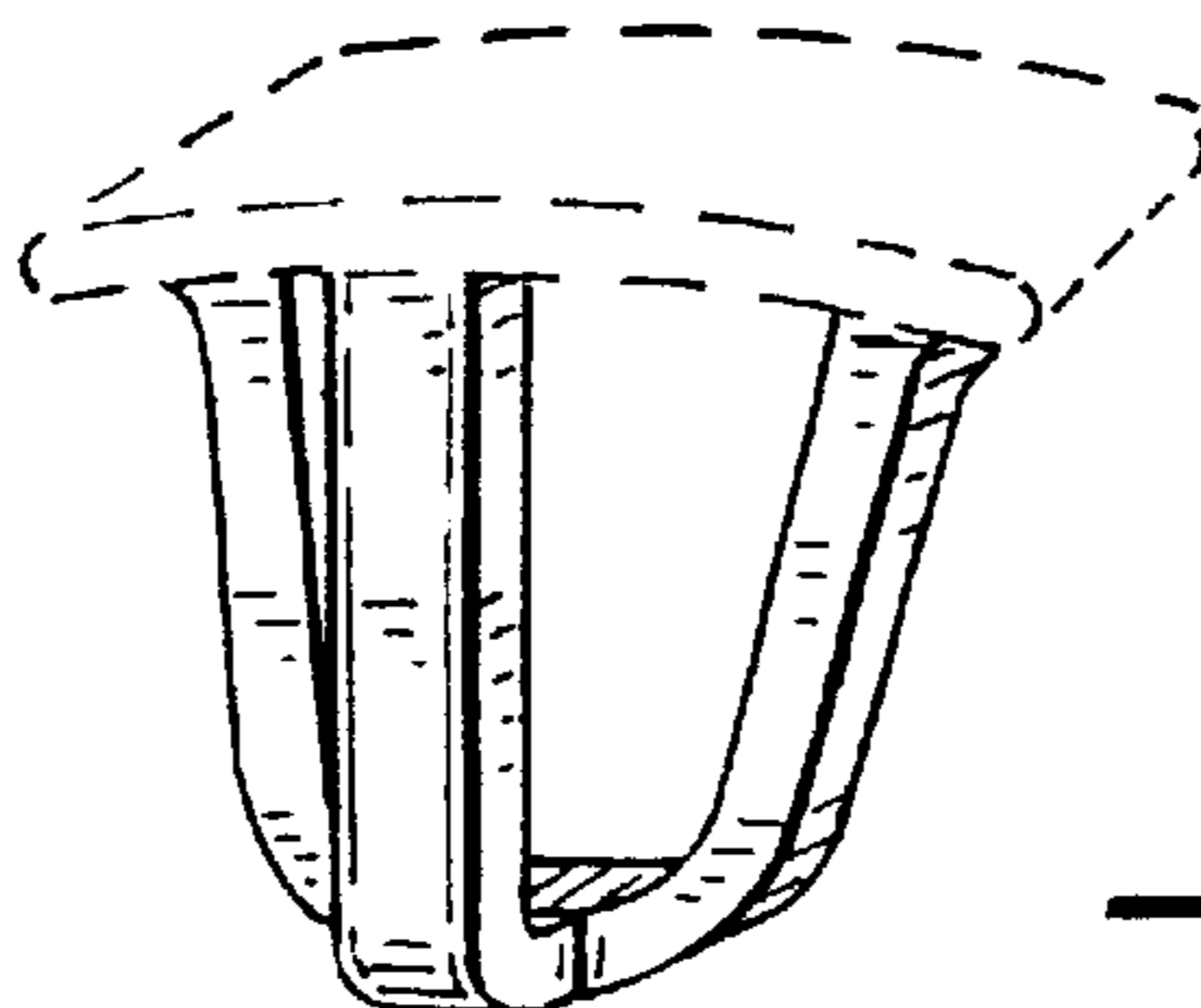
*FIG. 3.*



*FIG. 4.*



*FIG. 5.*



*FIG. 6.*